



US00D722142S

(12) **United States Design Patent**
Furuno et al.

(10) **Patent No.:** **US D722,142 S**
(45) **Date of Patent:** **** Feb. 3, 2015**

(54) **AERATION TUBE**

(71) Applicant: **Mitsubishi Rayon Co., Ltd.**, Tokyo (JP)

(72) Inventors: **Shinsuke Furuno**, Toyohashi (JP);
Manabu Sasakawa, Toyohashi (JP)

(73) Assignee: **Mitsubishi Rayon Co., Ltd.** (JP)

(**) Term: **14 Years**

(21) Appl. No.: **29/441,917**

(22) Filed: **Jan. 10, 2013**

(30) **Foreign Application Priority Data**

Jul. 11, 2012 (JP) 2012-016483

(51) **LOC (10) Cl.** **23-01**

(52) **U.S. Cl.**
USPC **D23/266**

(58) **Field of Classification Search**

USPC D23/207, 213, 223, 224, 229, 230, 259,
D23/263, 266; D24/129; D13/155;
D12/194; 138/103, 105, 109, 118,
138/118.1, 121, 122, 126, 128, 140, 154,
138/155, 157, 158, 167, 173, 177; 285/58,
285/83, 124.1, 124.5, 179, 179.1;
137/561 A

See application file for complete search history.

(56) **References Cited**

U.S. PATENT DOCUMENTS

3,109,875	A *	11/1963	Schramm et al.	261/92
D273,804	S *	5/1984	Fueloep	D23/263
D311,053	S *	10/1990	Delepine	D23/213
4,960,546	A *	10/1990	Tharp	261/122.1
5,330,688	A *	7/1994	Downs	261/122.2
D353,873	S *	12/1994	Schoeneman	D23/213
D357,970	S *	5/1995	Lupton et al.	D23/213
D375,540	S *	11/1996	McDonald	D23/207
5,587,114	A *	12/1996	Tharp	261/124
5,597,264	A *	1/1997	Laak	405/36

(Continued)

Primary Examiner — Eric Goodman

Assistant Examiner — Daniel J Domino

(74) *Attorney, Agent, or Firm* — Saidman DesignLaw Group, LLC

(57) **CLAIM**

The ornamental design for an aeration tube, as shown and described.

DESCRIPTION

FIG. 1 is a perspective view of an aeration tube showing our new design;

FIG. 2 is a front elevational view; the rear elevational view is a mirror image of the front view;

FIG. 3 is a top plan view thereof;

FIG. 4 is a bottom plan view thereof;

FIG. 5 is a left side elevational view thereof;

FIG. 6 is a right side elevational view thereof;

FIG. 7 is an enlarged front elevation view taken from the corresponding box in FIG. 2;

FIG. 8 is an enlarged right side elevational view thereof;

FIG. 9 is a perspective view of a second embodiment thereof;

FIG. 10 is a front elevational view; the rear elevational view is a mirror image of the front view;

FIG. 11 is a top plan view thereof;

FIG. 12 is a bottom plan view thereof;

FIG. 13 is a left side elevational view thereof;

FIG. 14 is a right side elevational view thereof;

FIG. 15 is a perspective view of a third embodiment thereof;

FIG. 16 is a front elevational view; the rear elevational view is a mirror image of the front view;

FIG. 17 is a top plan view thereof;

FIG. 18 is a bottom plan view thereof;

FIG. 19 is a left side elevational view thereof;

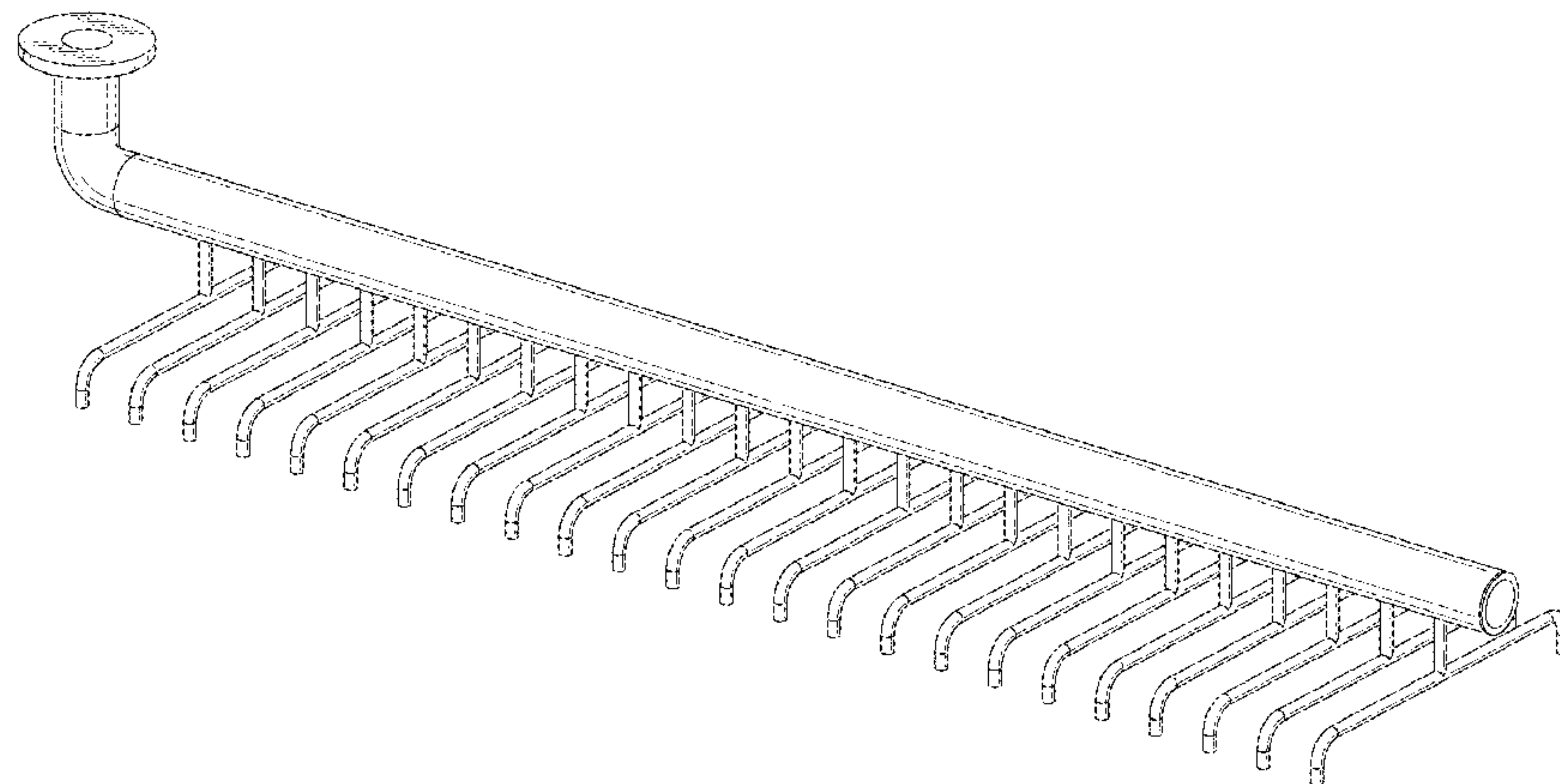
FIG. 20 is a right side elevational view thereof;

FIG. 21 is an enlarged front elevation view taken from the corresponding box in FIG. 16; and,

FIG. 22 is an enlarged right side elevational view of the third embodiment.

The broken line showing is included for the purpose of illustrating portions of the article and boundaries of the claimed subject matter and forms no part of the claimed design.

1 Claim, 14 Drawing Sheets



(56)

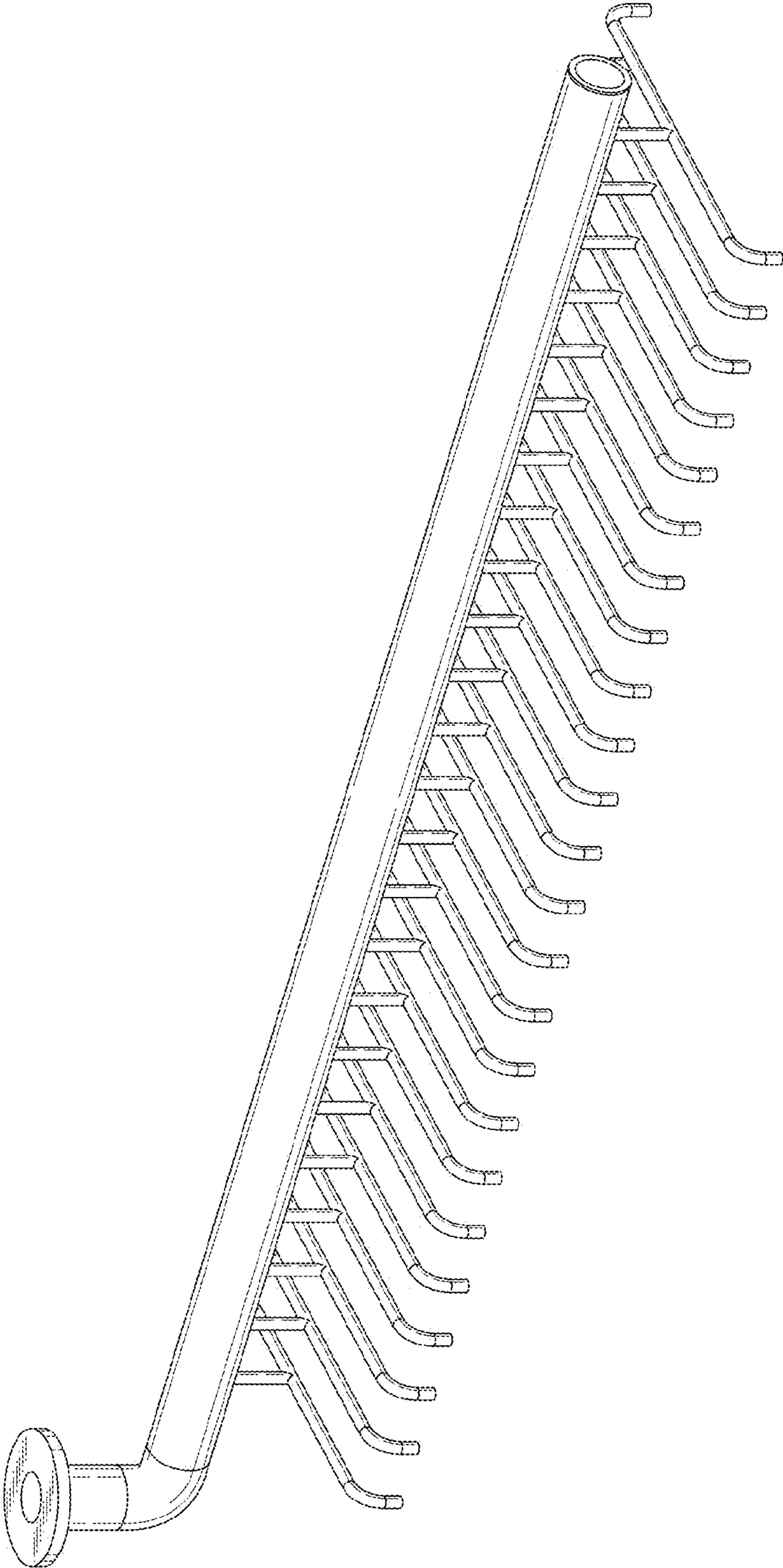
References Cited

U.S. PATENT DOCUMENTS

5,616,288 A * 4/1997 McDonald 261/76
D416,074 S * 11/1999 Mogg D23/214
5,988,943 A * 11/1999 McCord 405/36
6,482,627 B1 * 11/2002 Dahlstrom 435/290.2

D648,426 S * 11/2011 Yanone et al. D23/266
D652,123 S * 1/2012 Kleinsasser D23/266
D652,900 S * 1/2012 Yanone et al. D23/266
D675,715 S * 2/2013 McKenzie D23/266
D687,925 S * 8/2013 Gill D23/213
8,500,107 B2 * 8/2013 Magen 261/120
D705,391 S * 5/2014 Okazaki et al. D23/207
* cited by examiner

Fig. 1



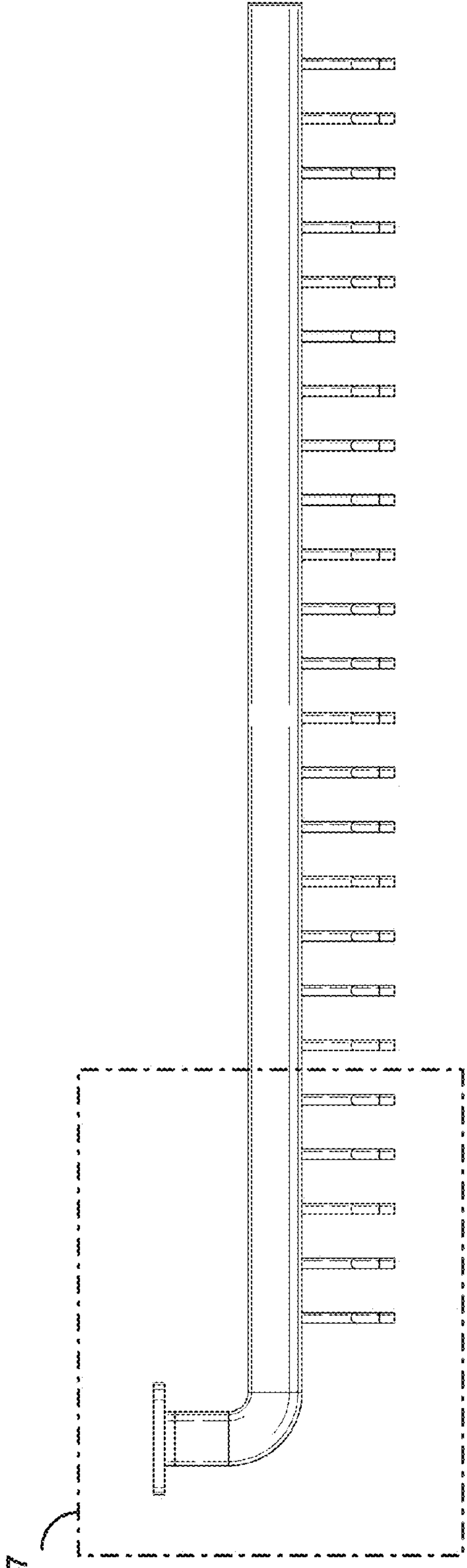


FIG. 2

Fig.3

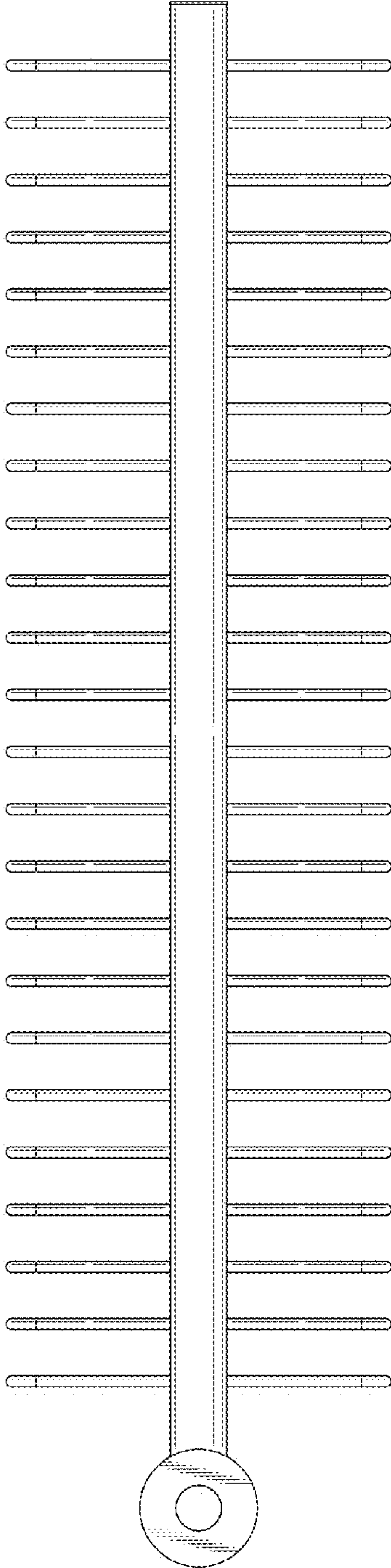


Fig.4

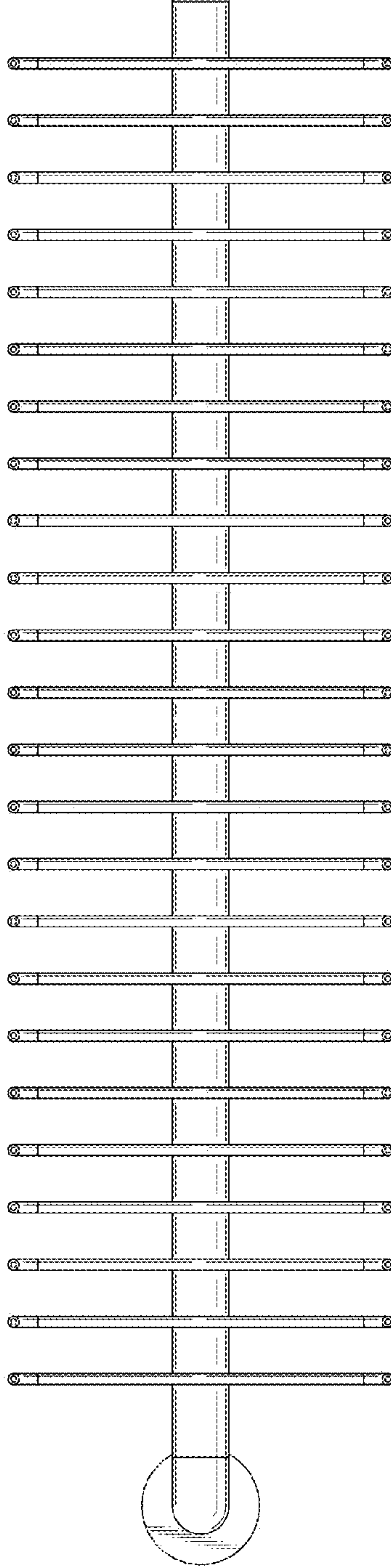


Fig.5

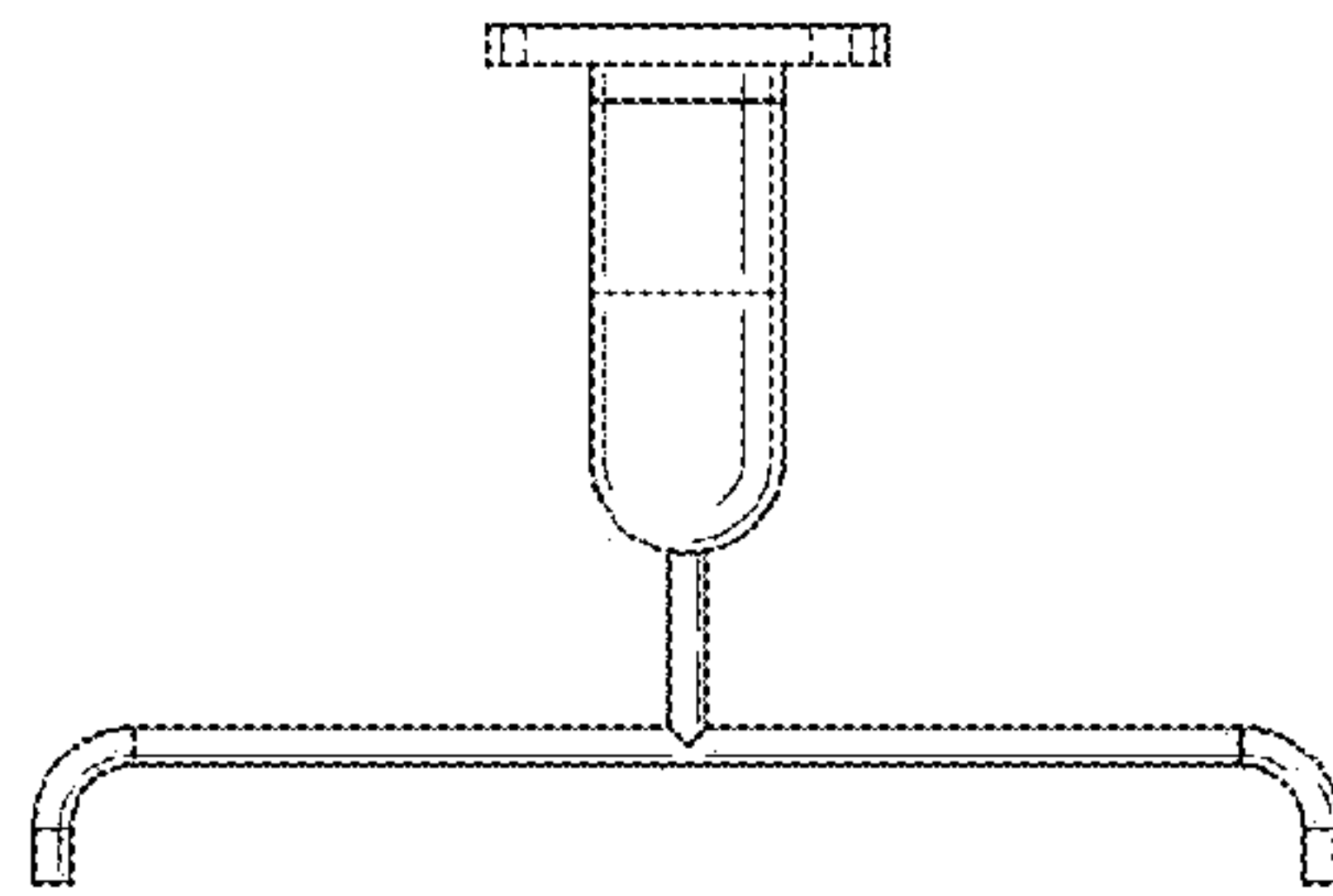


Fig.6

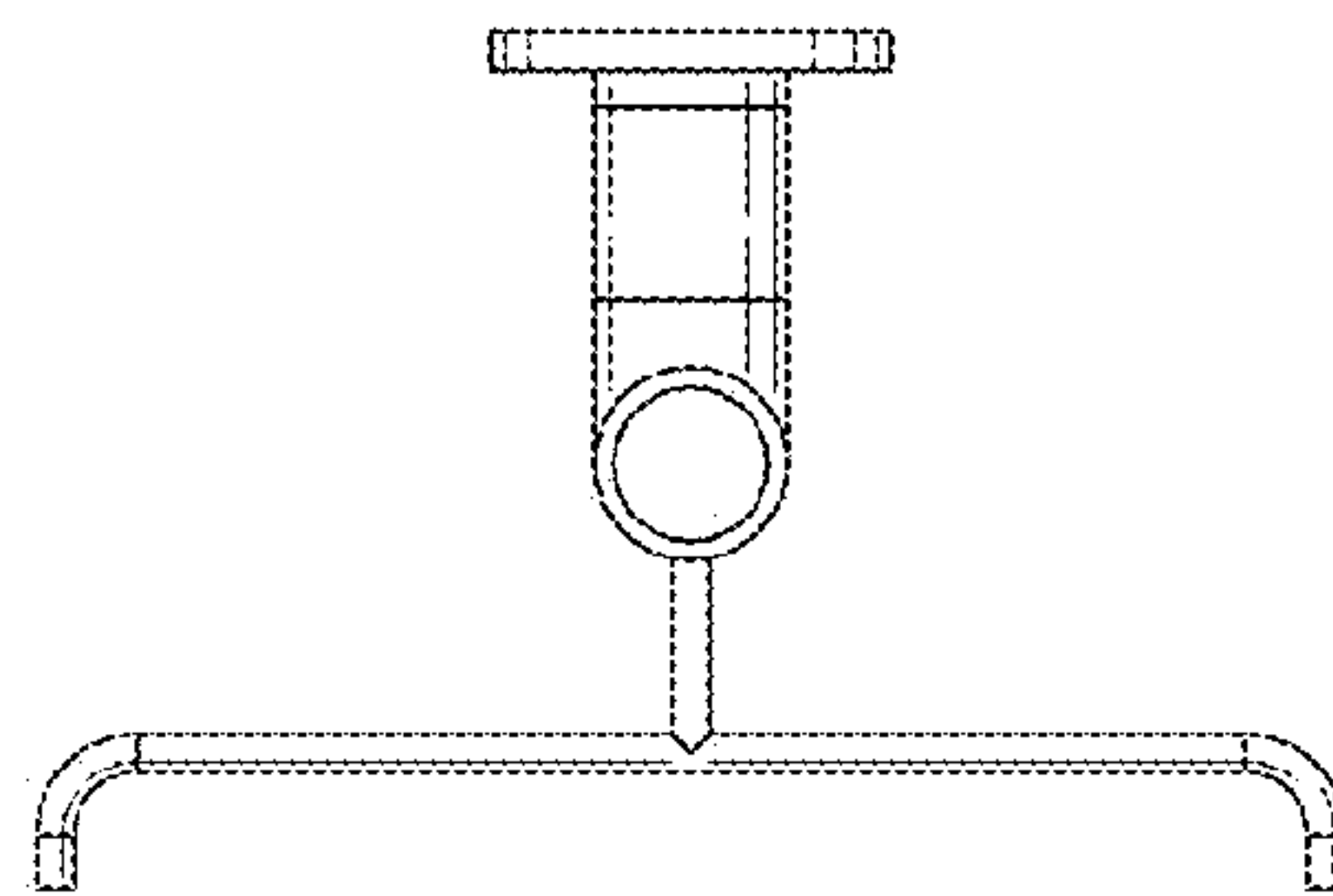


Fig.7

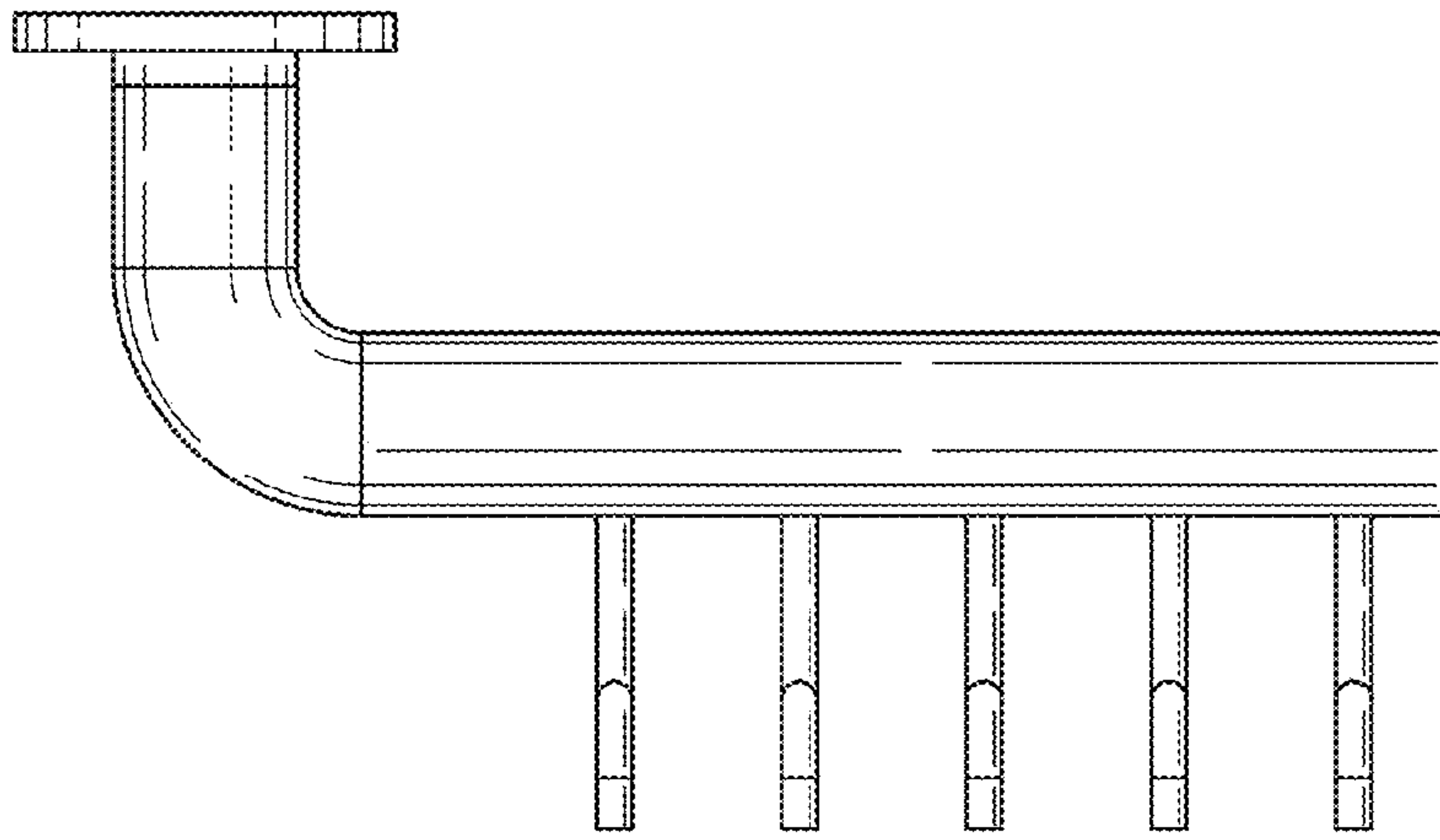


Fig.8

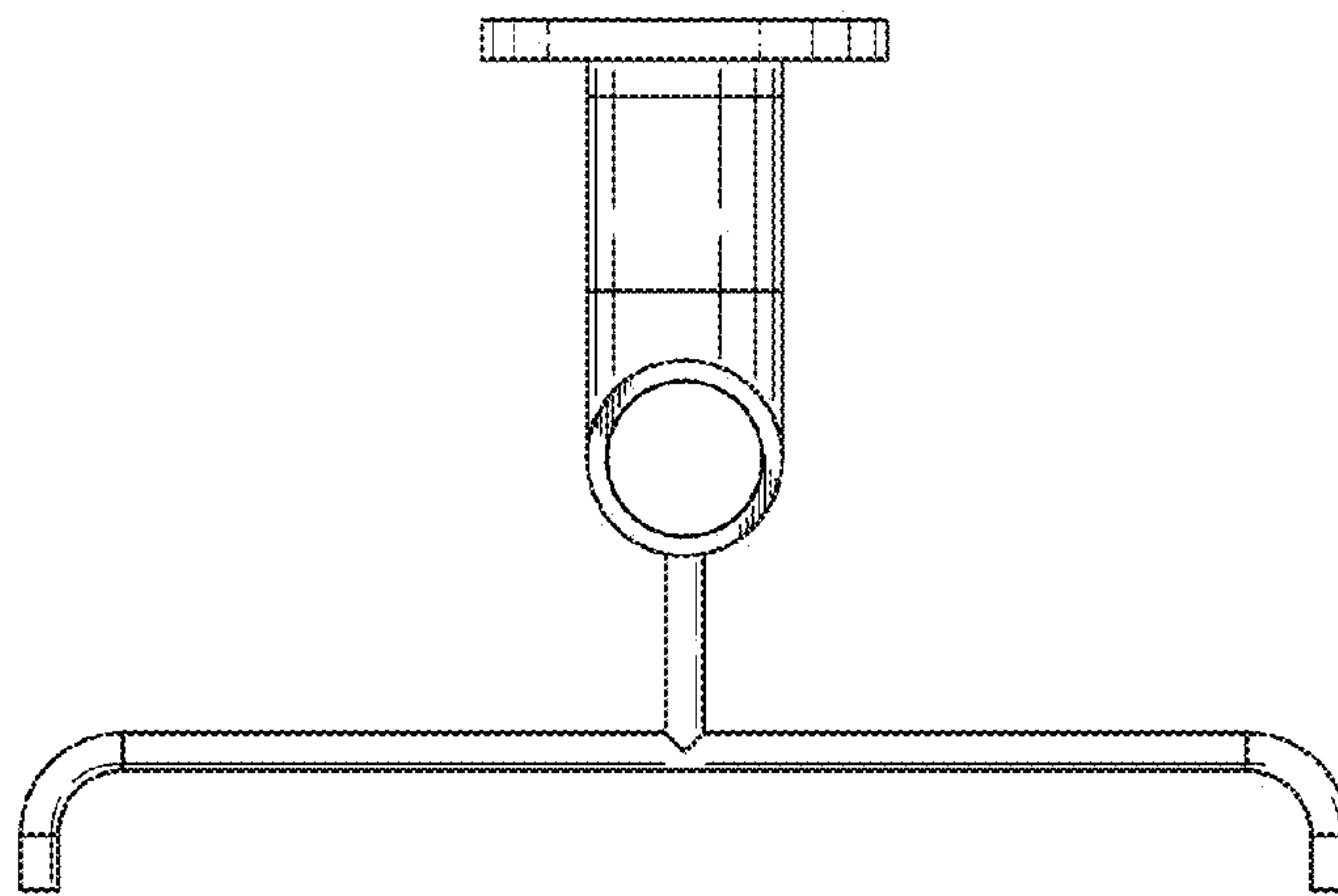


Fig. 9

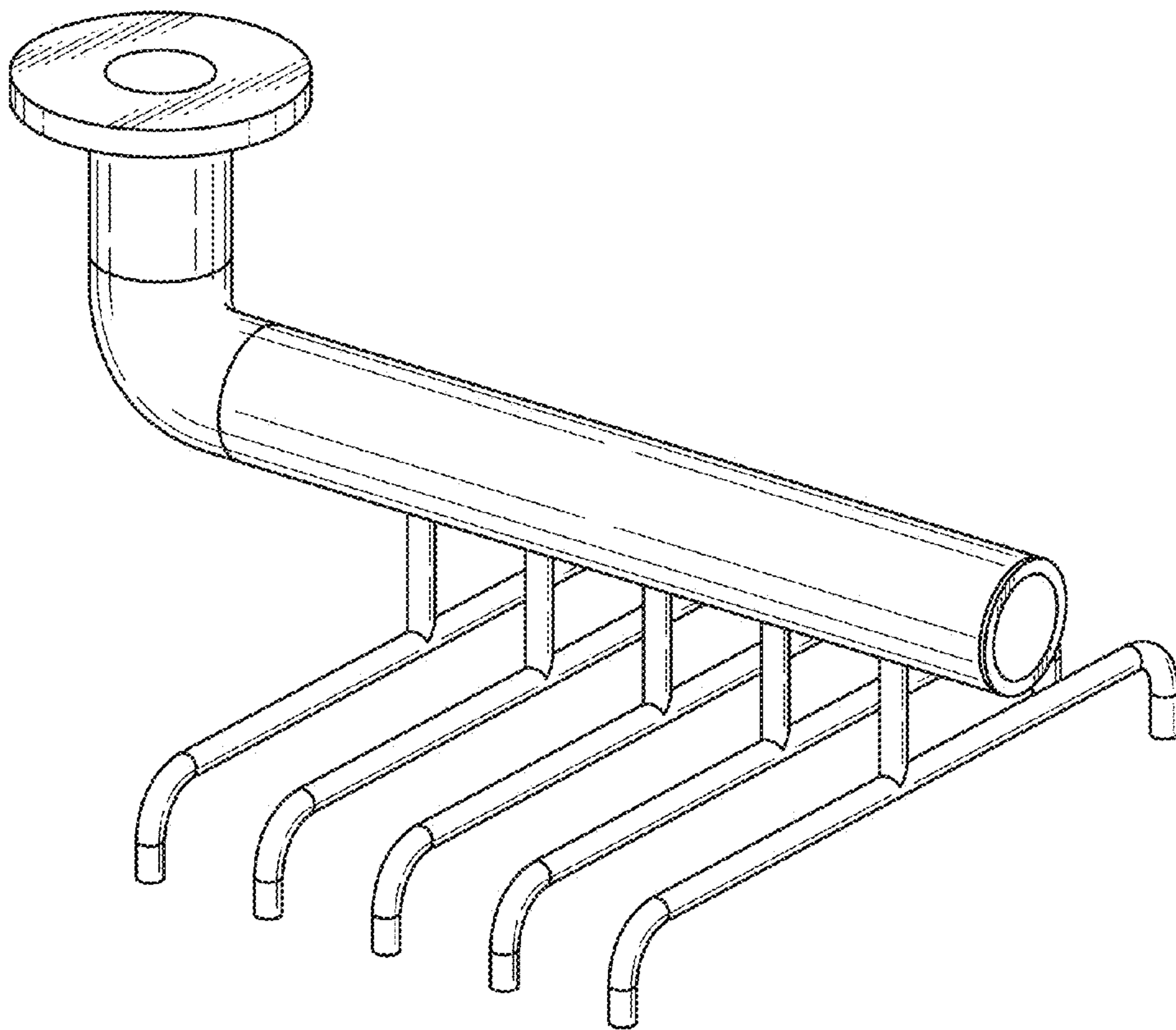


Fig. 10

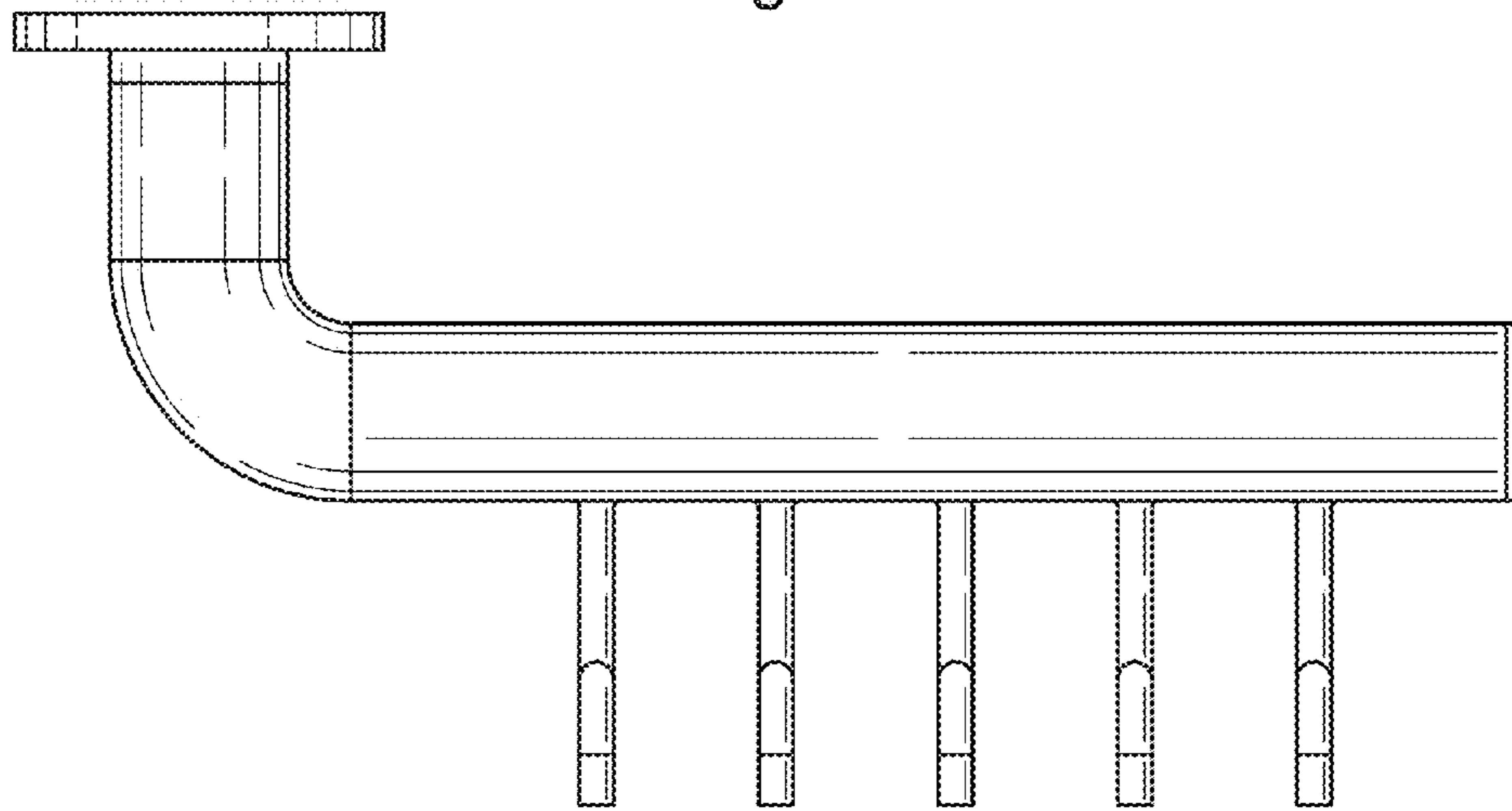


Fig. 11

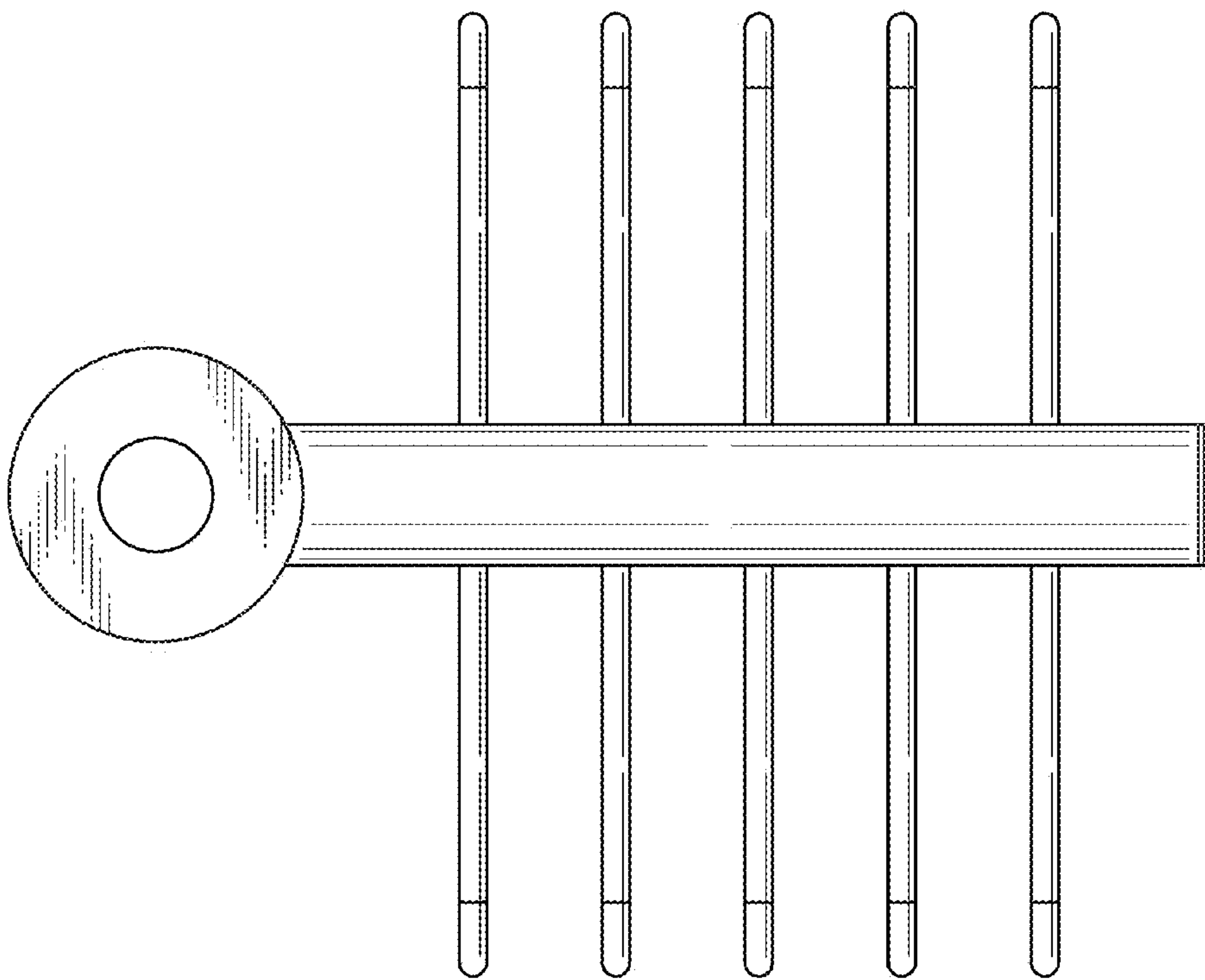


Fig. 12

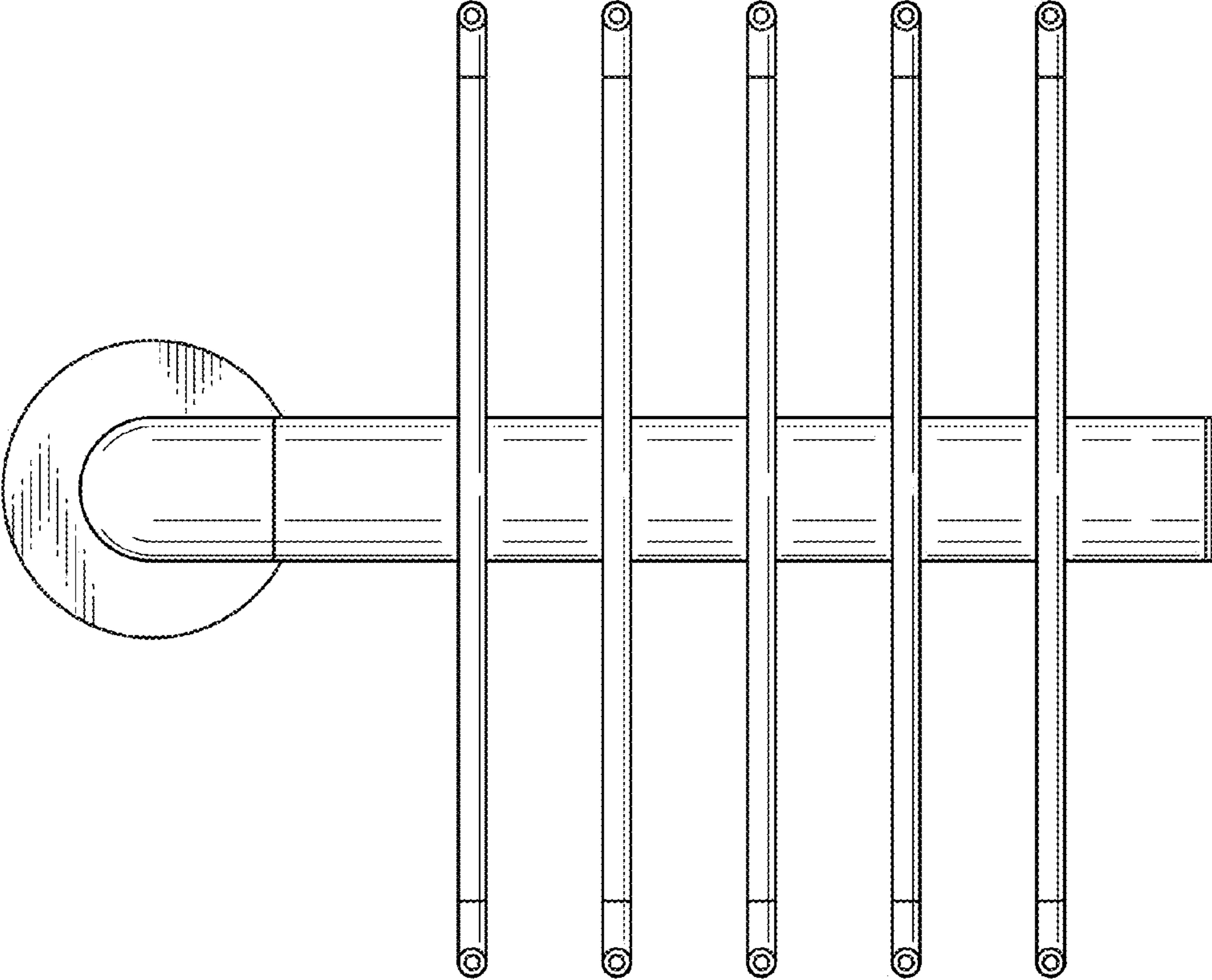


Fig. 13

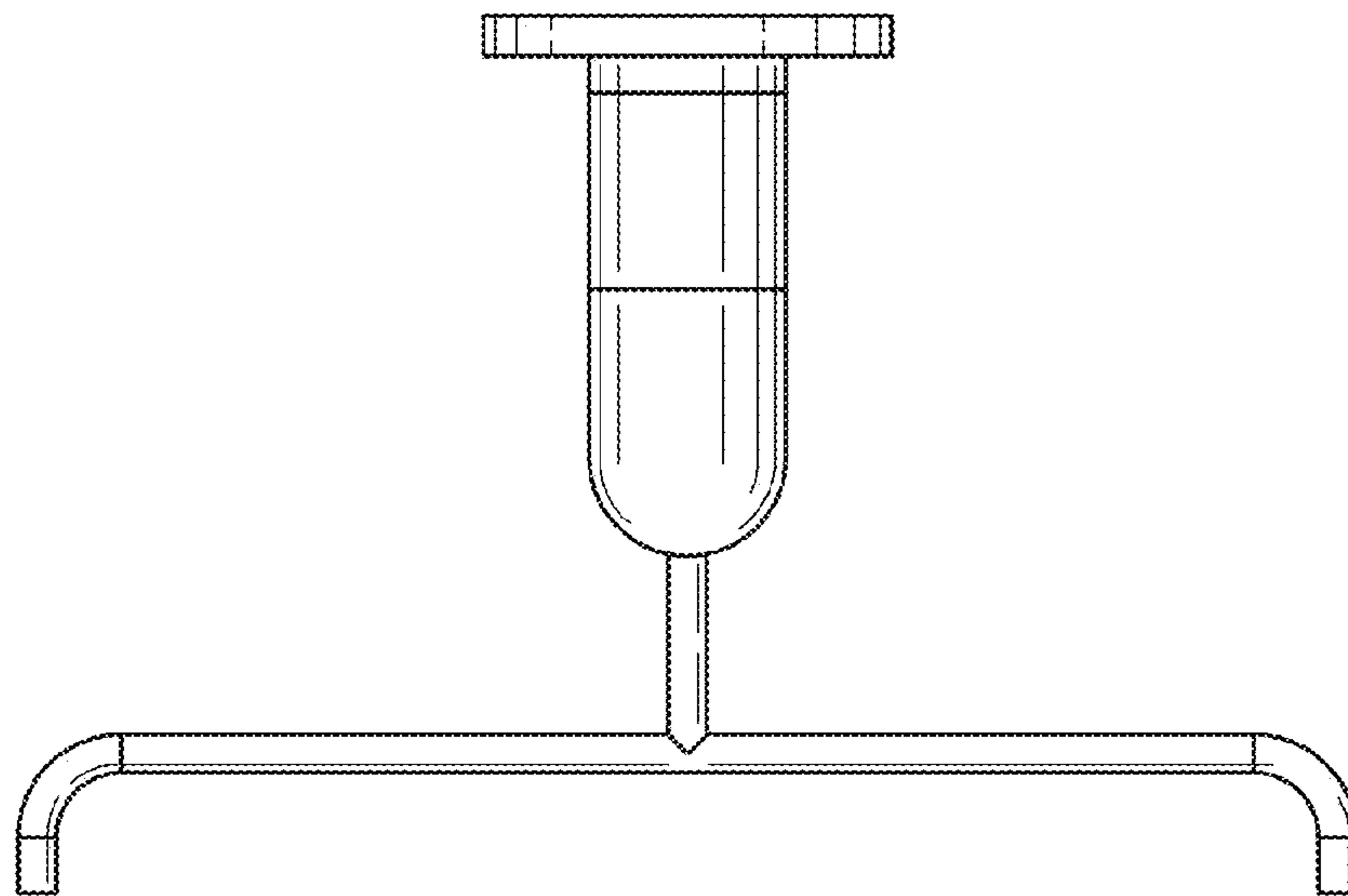


Fig. 14

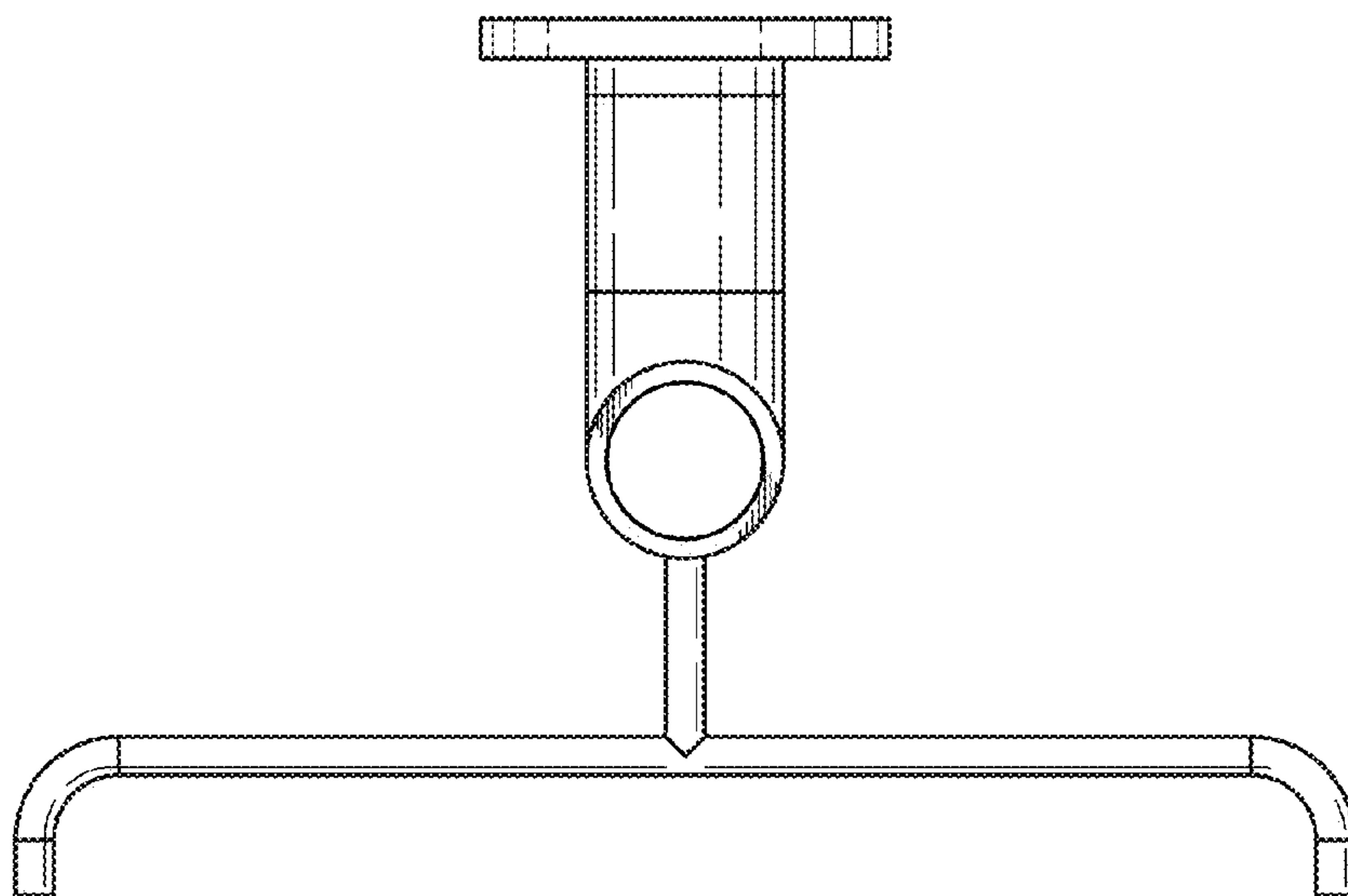
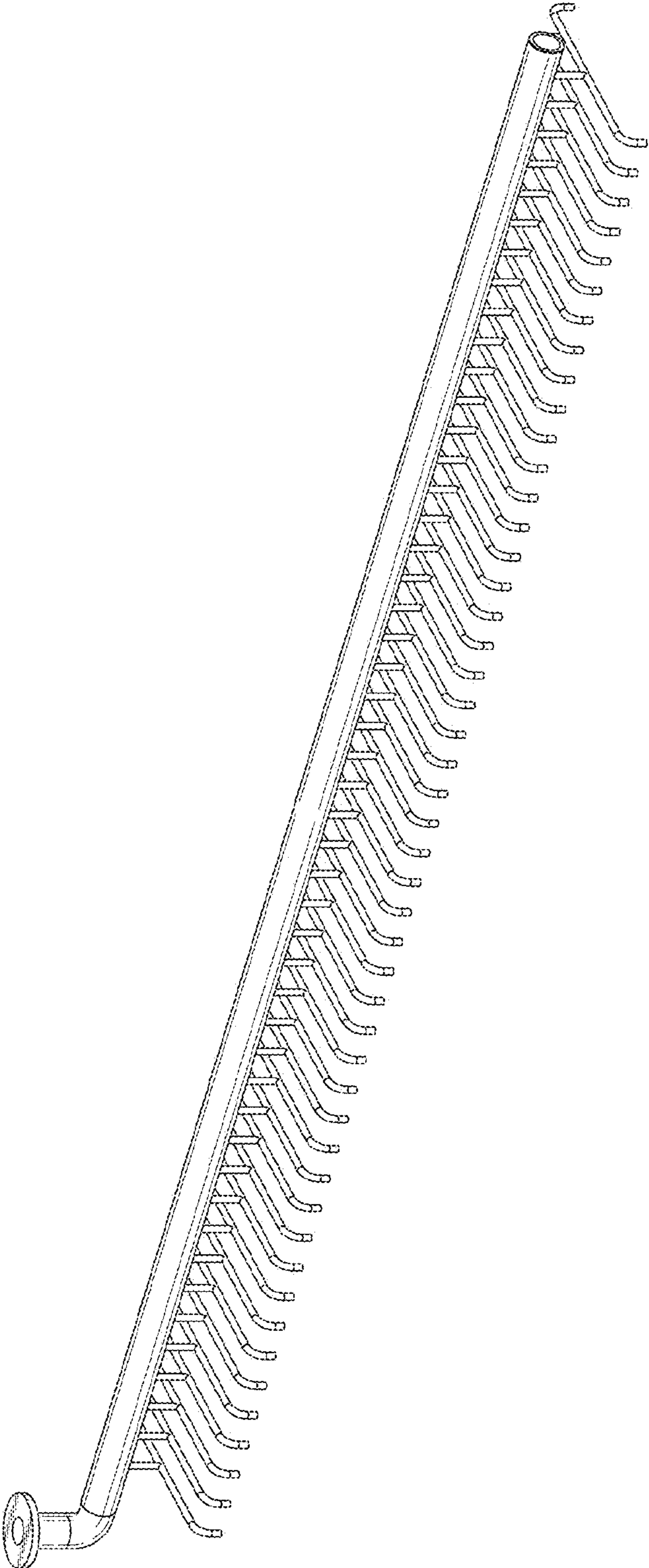


Fig. 15



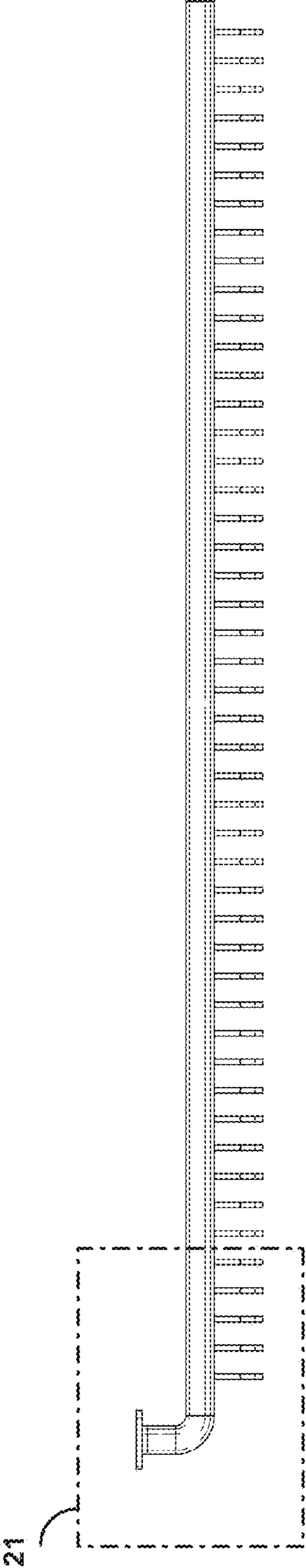


FIG. 16

Fig. 17

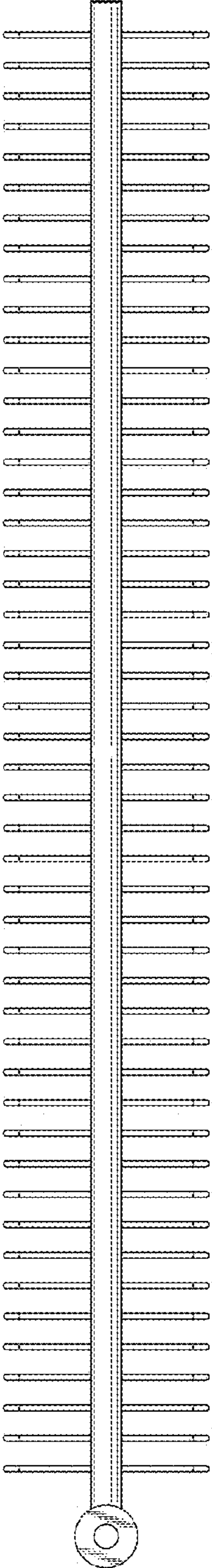


Fig. 18

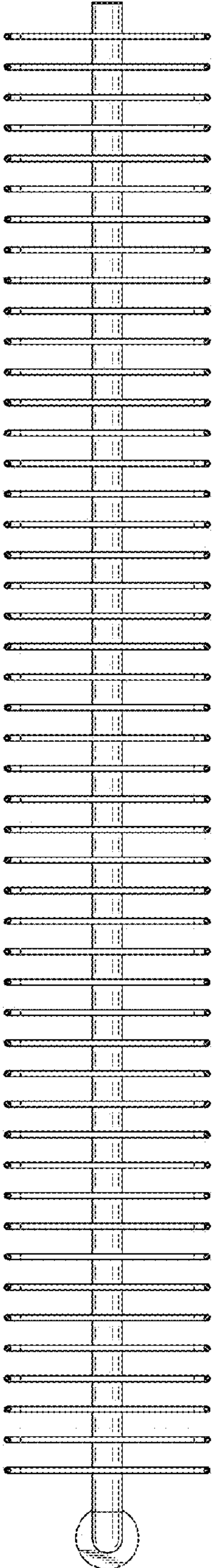


Fig. 19

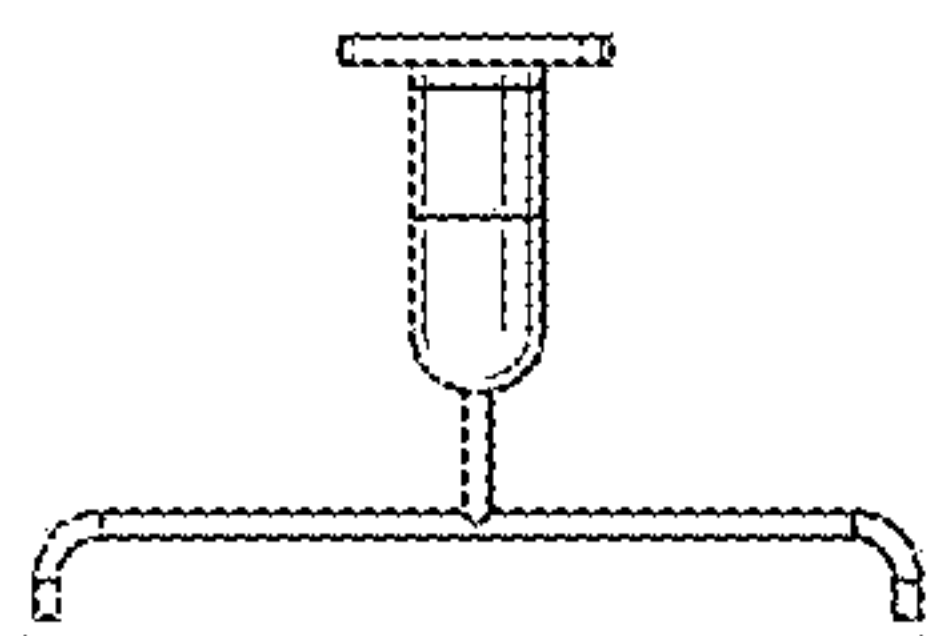


Fig. 20

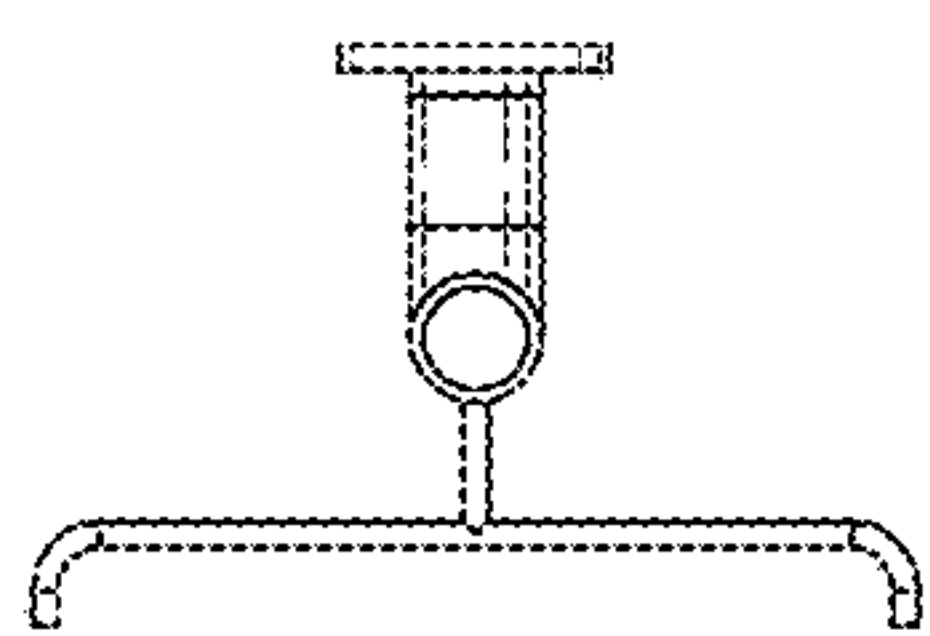


Fig.21

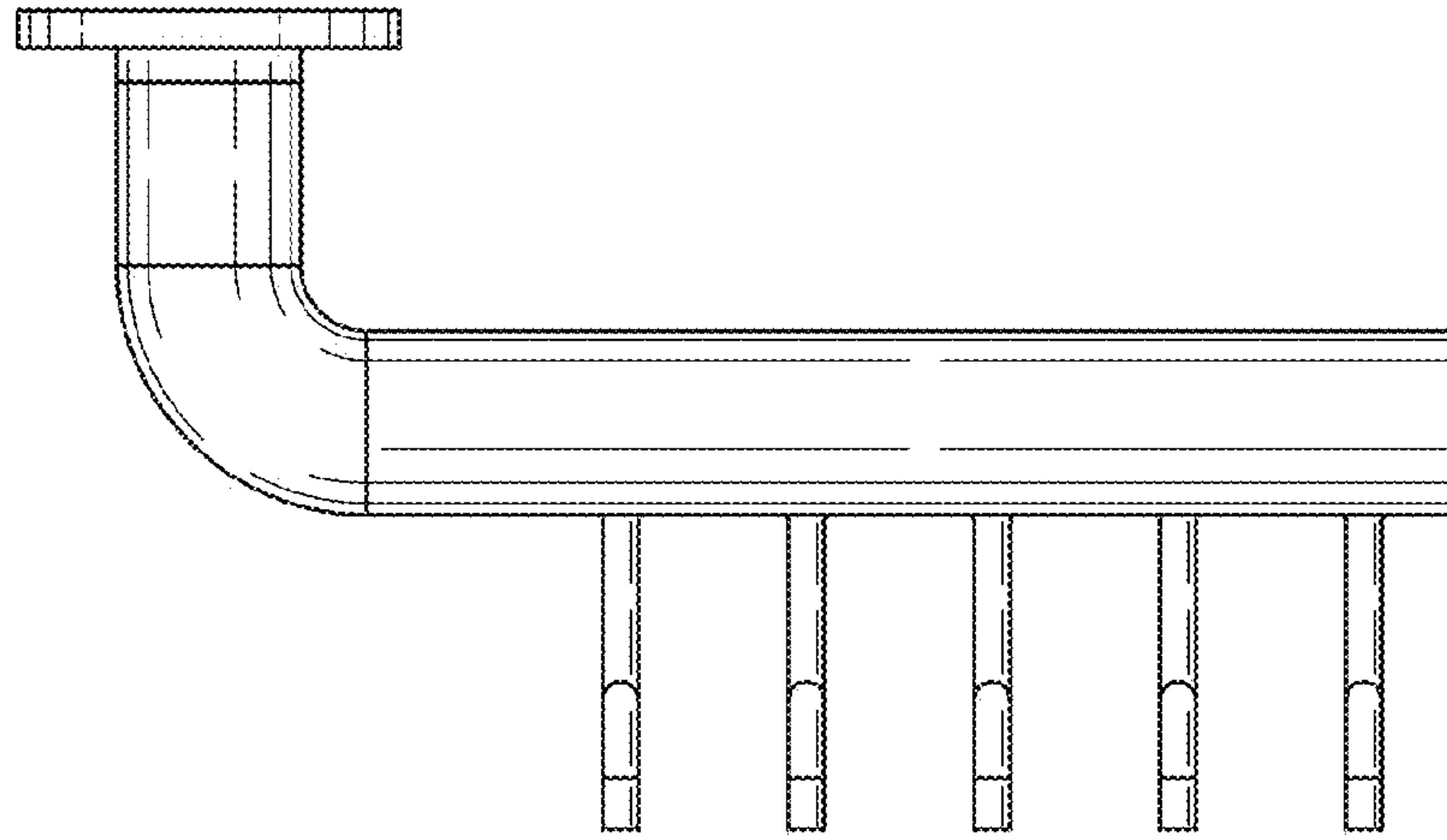


Fig.22

