



US00D722141S

(12) **United States Design Patent**
Luke

(10) **Patent No.:** **US D722,141 S**
(45) **Date of Patent:** **** Feb. 3, 2015**

(54) **PIPE T PIECE**

(75) Inventor: **Owen Edward Luke**, Kiama Heights (AU)

(73) Assignee: **Reln Pty Ltd** (AU)

(**) Term: **14 Years**

(21) Appl. No.: **29/430,693**

(22) Filed: **Aug. 29, 2012**

(30) **Foreign Application Priority Data**

Mar. 13, 2012 (AU) 11325/2012

(51) **LOC (10) Cl.** **23-01**

(52) **U.S. Cl.**
USPC **D23/263**

(58) **Field of Classification Search**
USPC D23/213, 223, 224, 229, 230, 259, 260, D23/262, 263, 266, 268; D24/129; D13/155; 138/103, 105, 109, 118, 138/118.1, 121, 122, 128, 154, 155, 157, 138/167, 173, 177; 285/58, 83, 133.4, 285/133.11, 179, 179.1

See application file for complete search history.

(56) **References Cited**

U.S. PATENT DOCUMENTS

D206,387	S	*	12/1966	Seckel et al.	D23/266
3,468,346	A	*	9/1969	Smith et al.	138/109
3,832,855	A	*	9/1974	Maroschak	405/49
D235,104	S	*	5/1975	Maroschak et al.	D23/266
D296,356	S	*	6/1988	Kanao	D23/266
D307,790	S	*	5/1990	Bjorkman et al.	D23/266
5,277,227	A	*	1/1994	Bradshaw et al.	138/110
D379,850	S	*	6/1997	Nelson	D23/259
D441,435	S	*	5/2001	Patteson et al.	D23/262

6,227,578	B1	*	5/2001	Fukui et al.	285/179
D481,110	S	*	10/2003	Snyder et al.	D23/263
D531,284	S	*	10/2006	Wagner et al.	D23/266
D574,067	S	*	7/2008	Pampinella et al.	D23/262
D630,305	S	*	1/2011	Adams et al.	D23/259
D652,121	S	*	1/2012	Bonhag et al.	D23/263
D654,150	S	*	2/2012	Bonhag et al.	D23/259
D656,225	S	*	3/2012	Dole et al.	D23/263
D676,942	S	*	2/2013	Kluss et al.	D23/262

(Continued)

OTHER PUBLICATIONS

Tee Piece, no reference date available online, [site visited Sep. 30, 2014]. Available from internet—<URL: http://www.reln.com.au/Products/Ground_Water_Drainage/Stretch_Drain.aspx>.*

(Continued)

Primary Examiner — Eric Goodman

Assistant Examiner — Daniel J Domino

(74) *Attorney, Agent, or Firm* — Barnes & Thornburg LLP

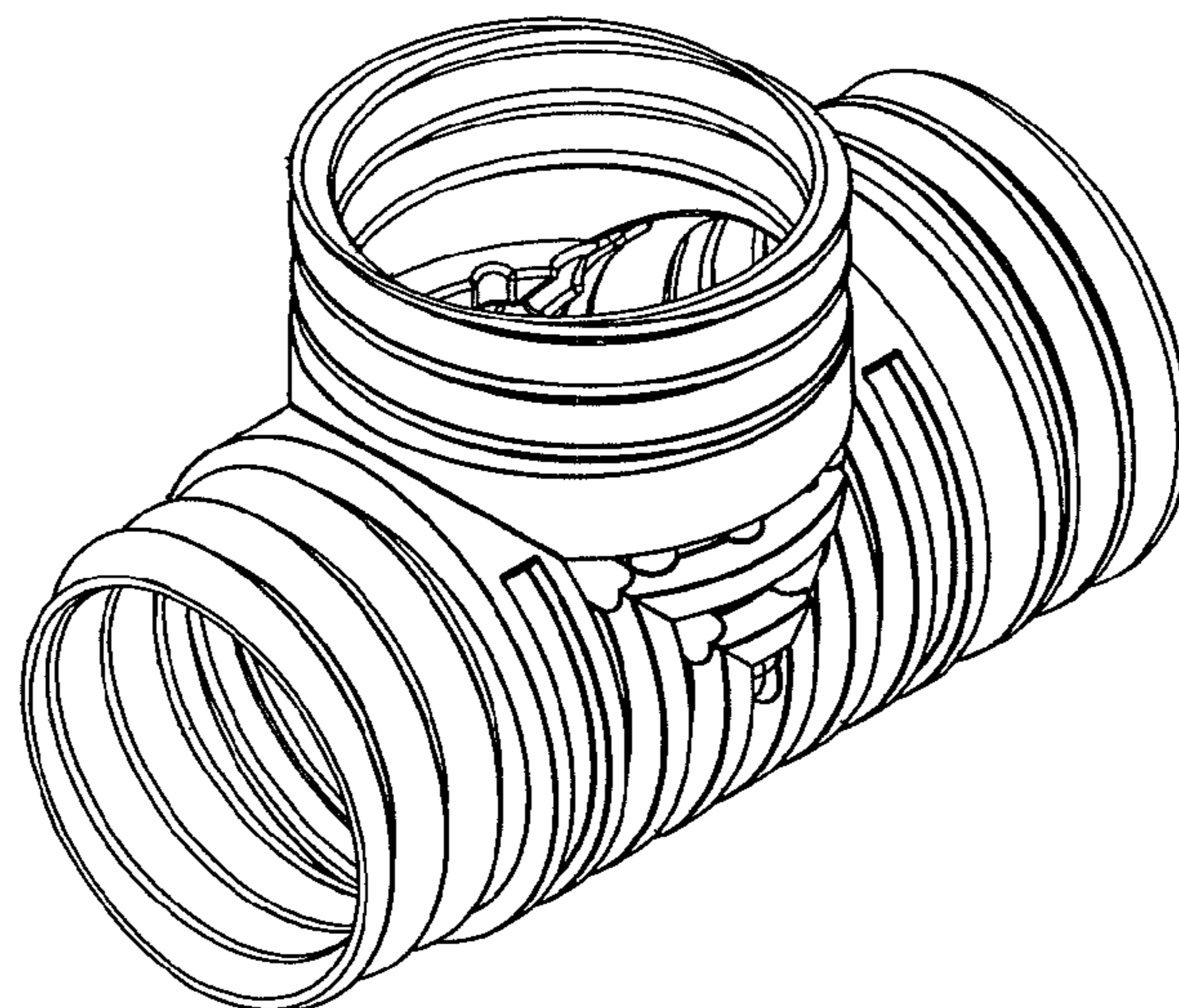
(57) **CLAIM**

The ornamental design for a pipe T piece, as shown and described.

DESCRIPTION

FIG. 1 is an isometric view thereof, from one end, FIG. 2 is an isometric view from the opposite end, FIG. 3 is an isometric view as FIG. 1, but from beneath, FIG. 4 is an isometric underside view as FIG. 2, but from beneath, FIG. 5 is a side elevational view thereof, the opposite side being a mirror image, FIG. 6 is a top plan view thereof, FIG. 7 is a bottom plan view thereof, FIG. 8 is an end view from the left end of FIG. 5; and, FIG. 9 is an end view from the right end of FIG. 5.

1 Claim, 2 Drawing Sheets



(56)

References Cited

OTHER PUBLICATIONS

U.S. PATENT DOCUMENTS

D703,794 S * 4/2014 Luke D23/262
D713,512 S * 9/2014 Luke D23/262
D713,943 S * 9/2014 Luke D23/262
D713,944 S * 9/2014 Luke D23/262
2007/0051417 A1* 3/2007 Boettner et al. 138/121
2008/0128040 A1* 6/2008 Klein et al. 138/103
2013/0146170 A1* 6/2013 Jang et al. 138/109
2013/0284301 A1* 10/2013 Chen 138/109
2013/0327415 A1* 12/2013 Camp et al. 137/15.09

Tee Fitting, no reference date available online, [site visited Sep. 30, 2014]. Available from internet—<URL: http://www.lowes.com/pd_167808-62059-ADP53701_0_?productId=4067448>.*

Pipe T Piece, no reference date available online, [site visited Sep. 30, 2014]. Available from internet—<URL: http://www.bunnings.com.au/reln-100mm-stretch-agi-pipe-t-piece-_p4770283>.*

* cited by examiner

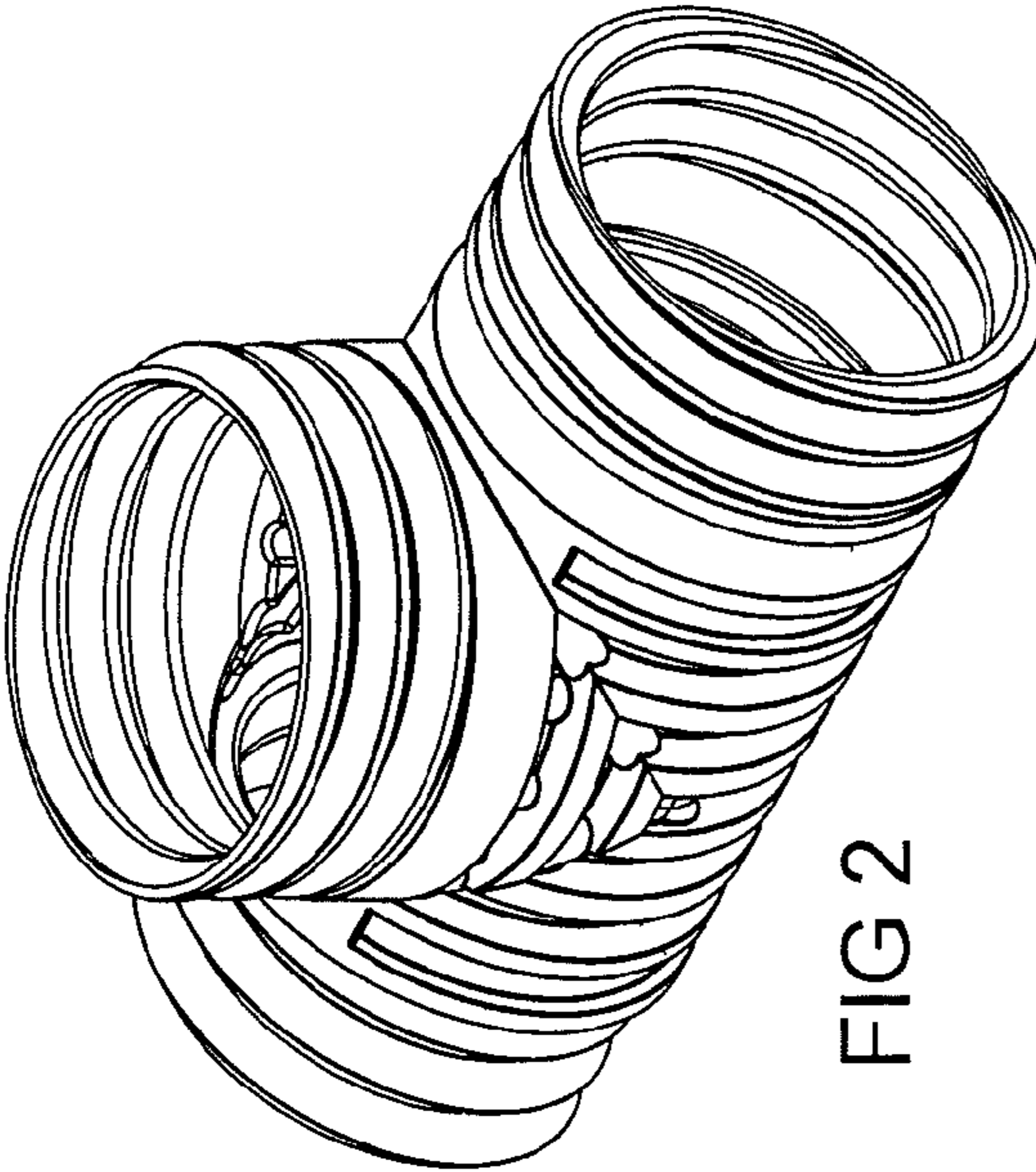


FIG 2

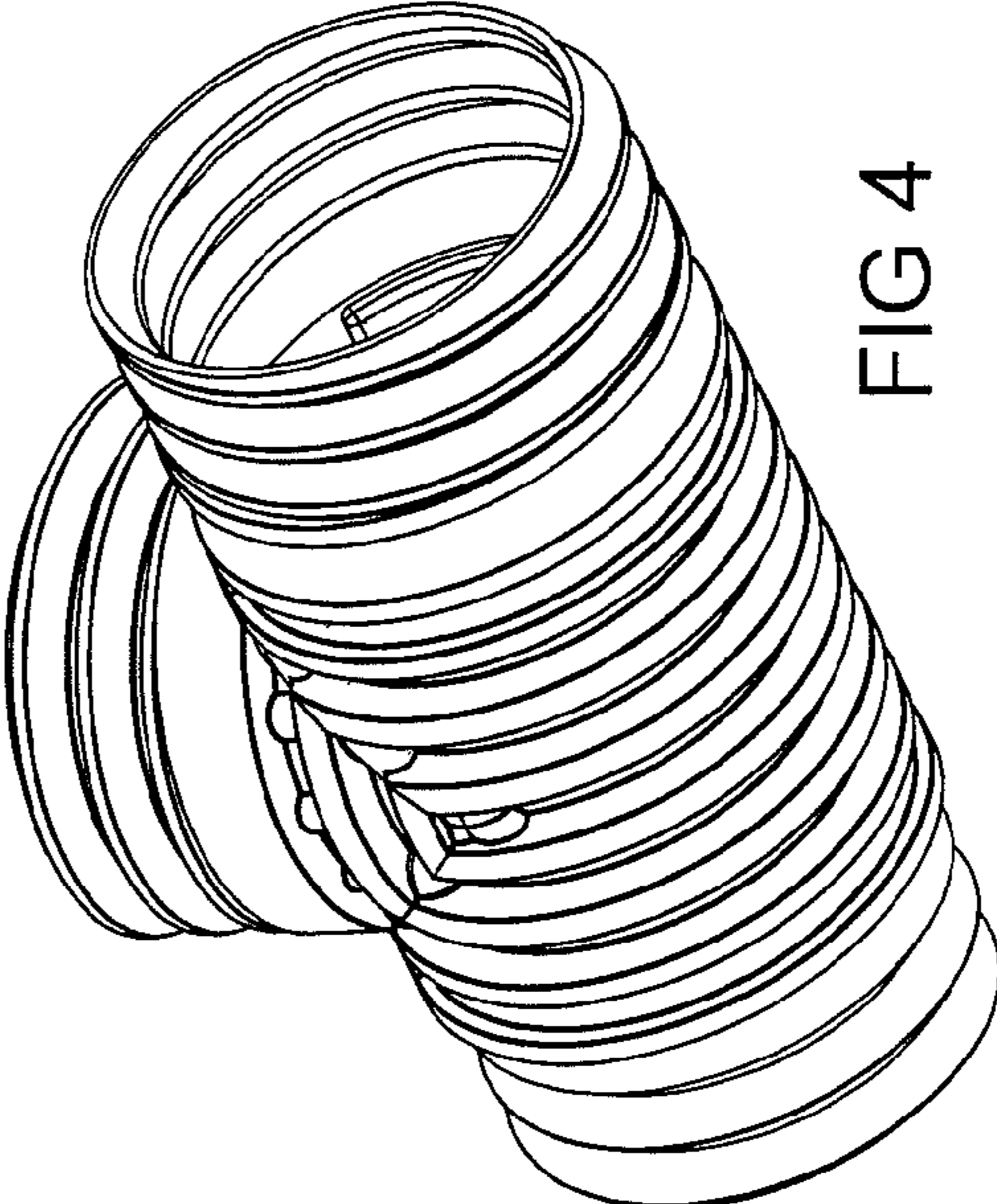


FIG 4

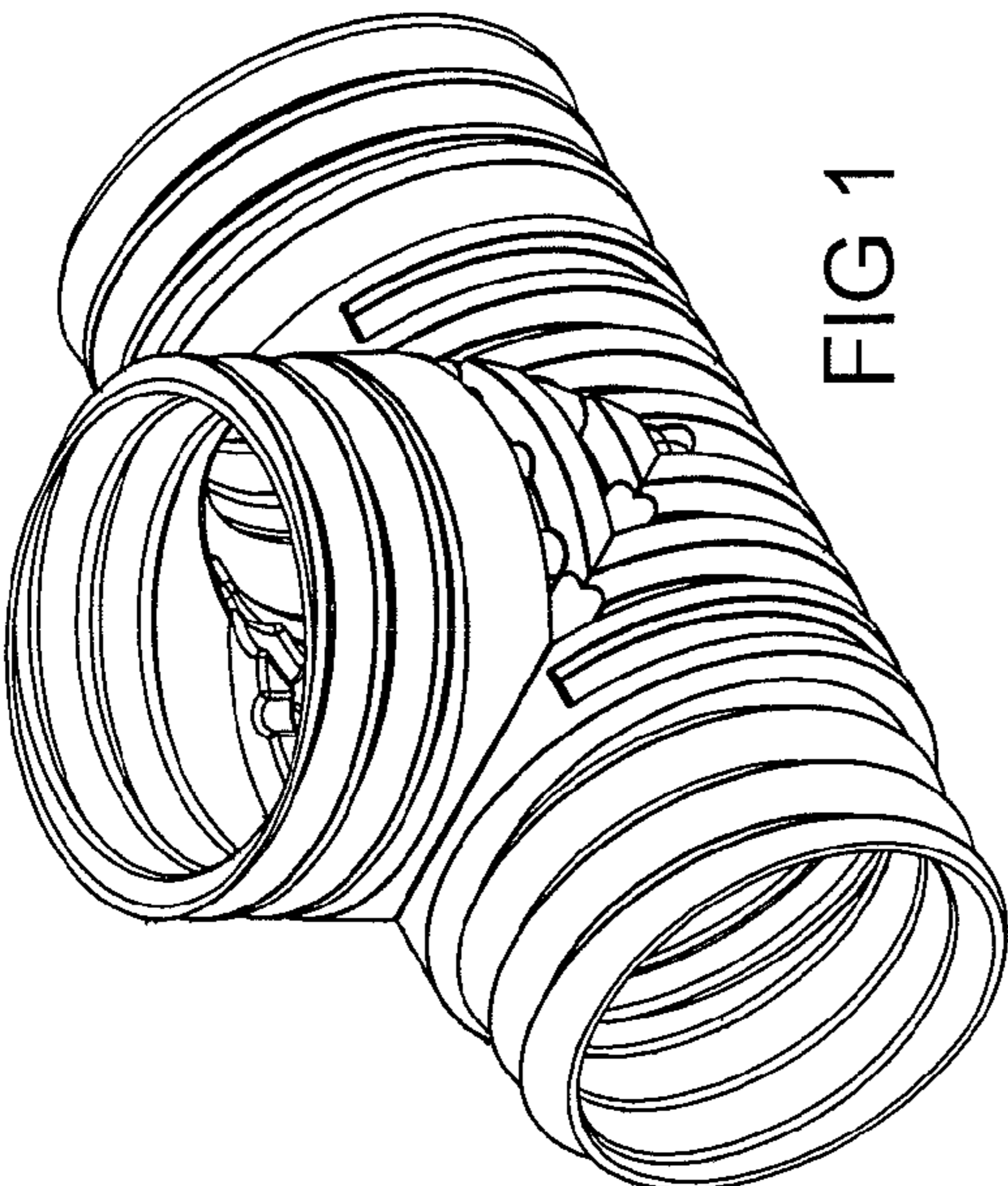


FIG 1

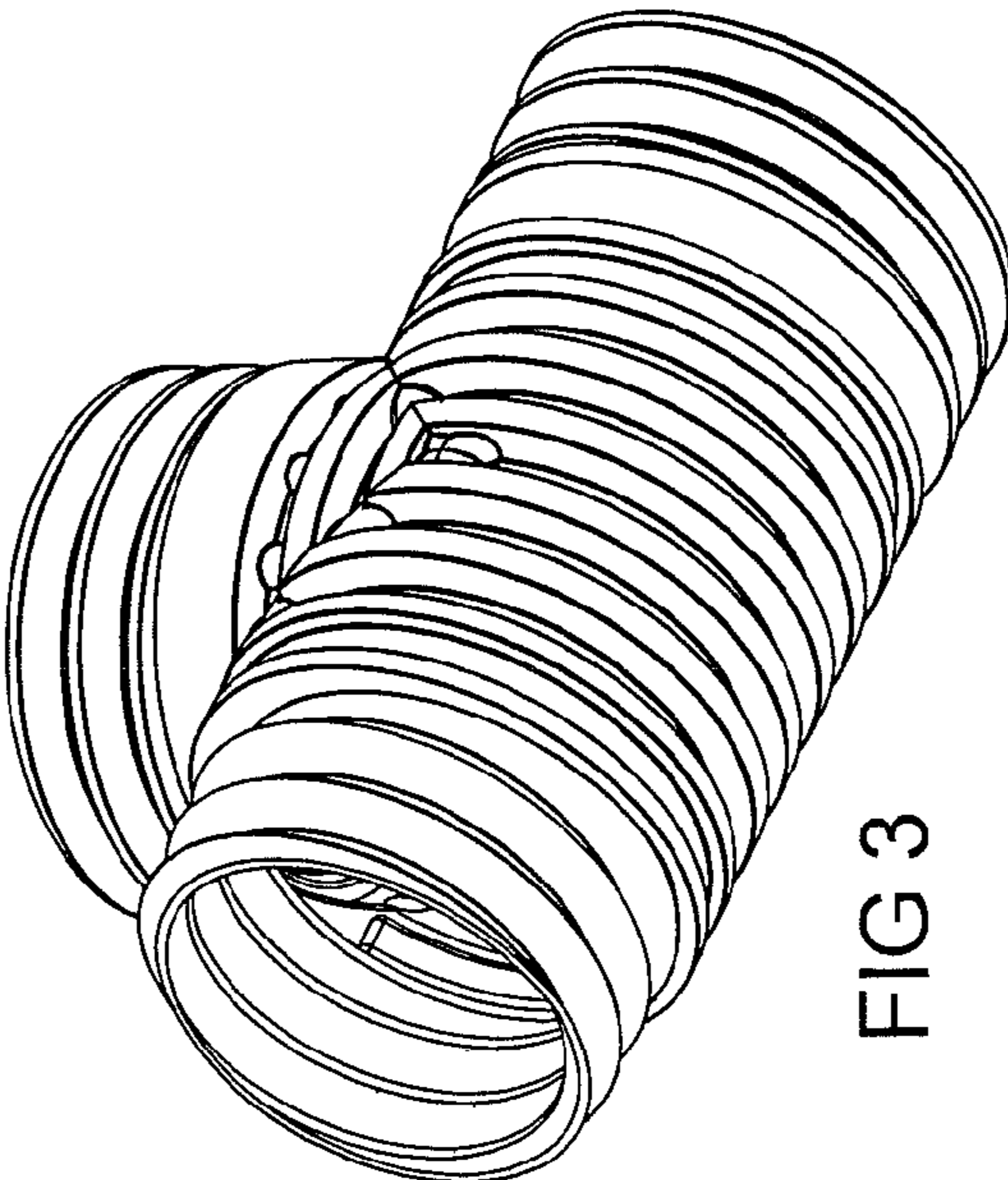


FIG 3

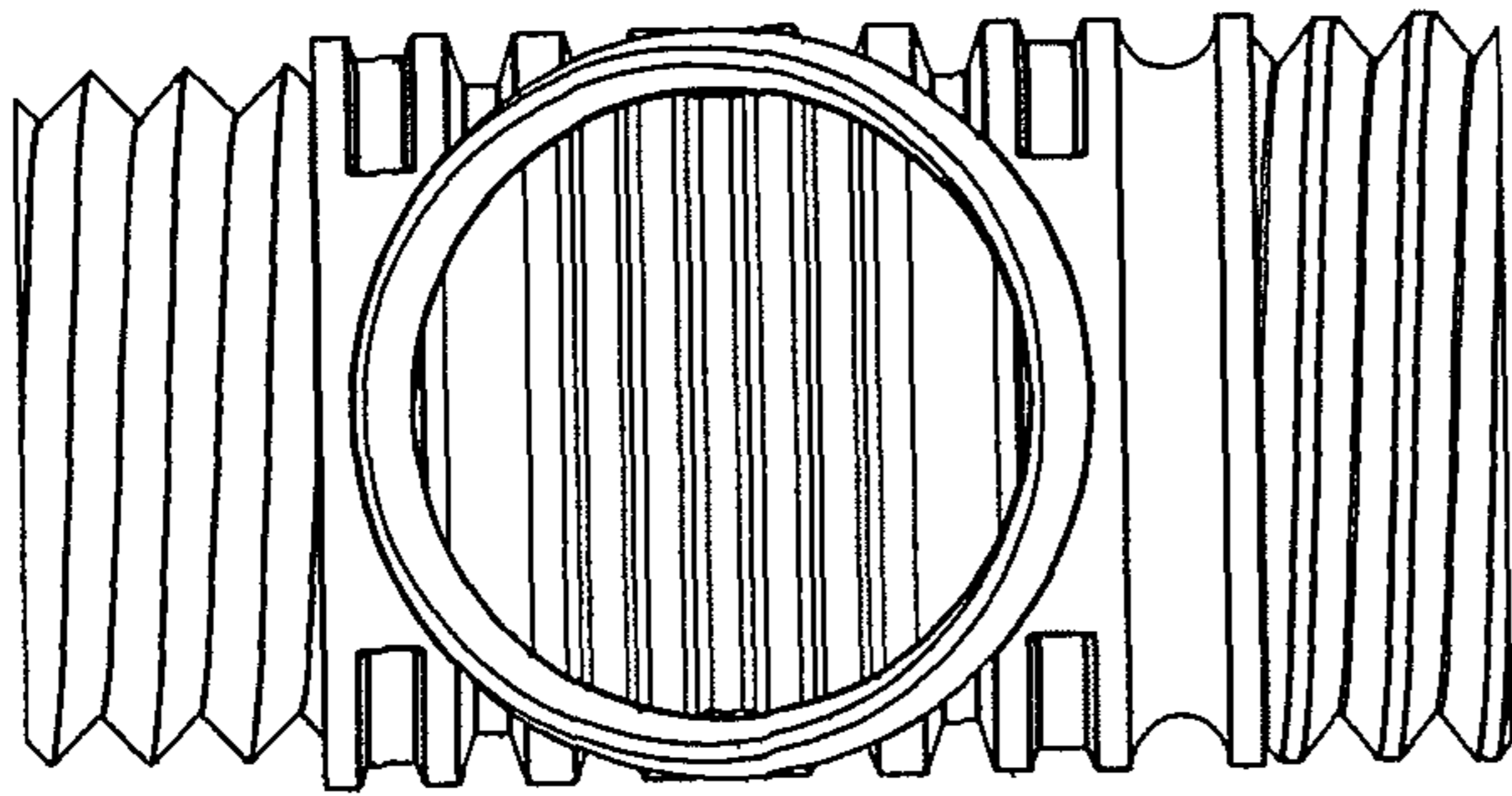


FIG 6

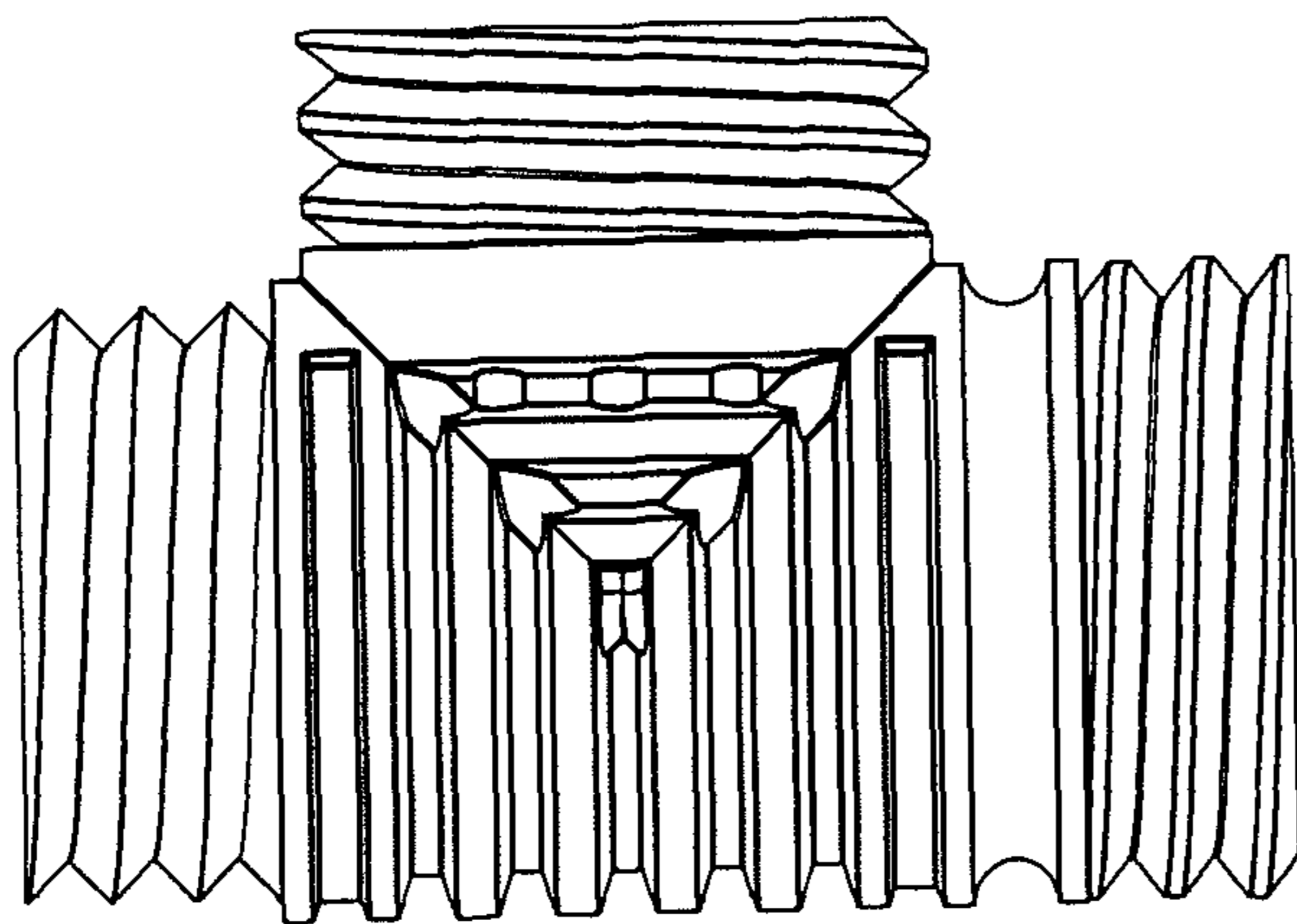


FIG 5

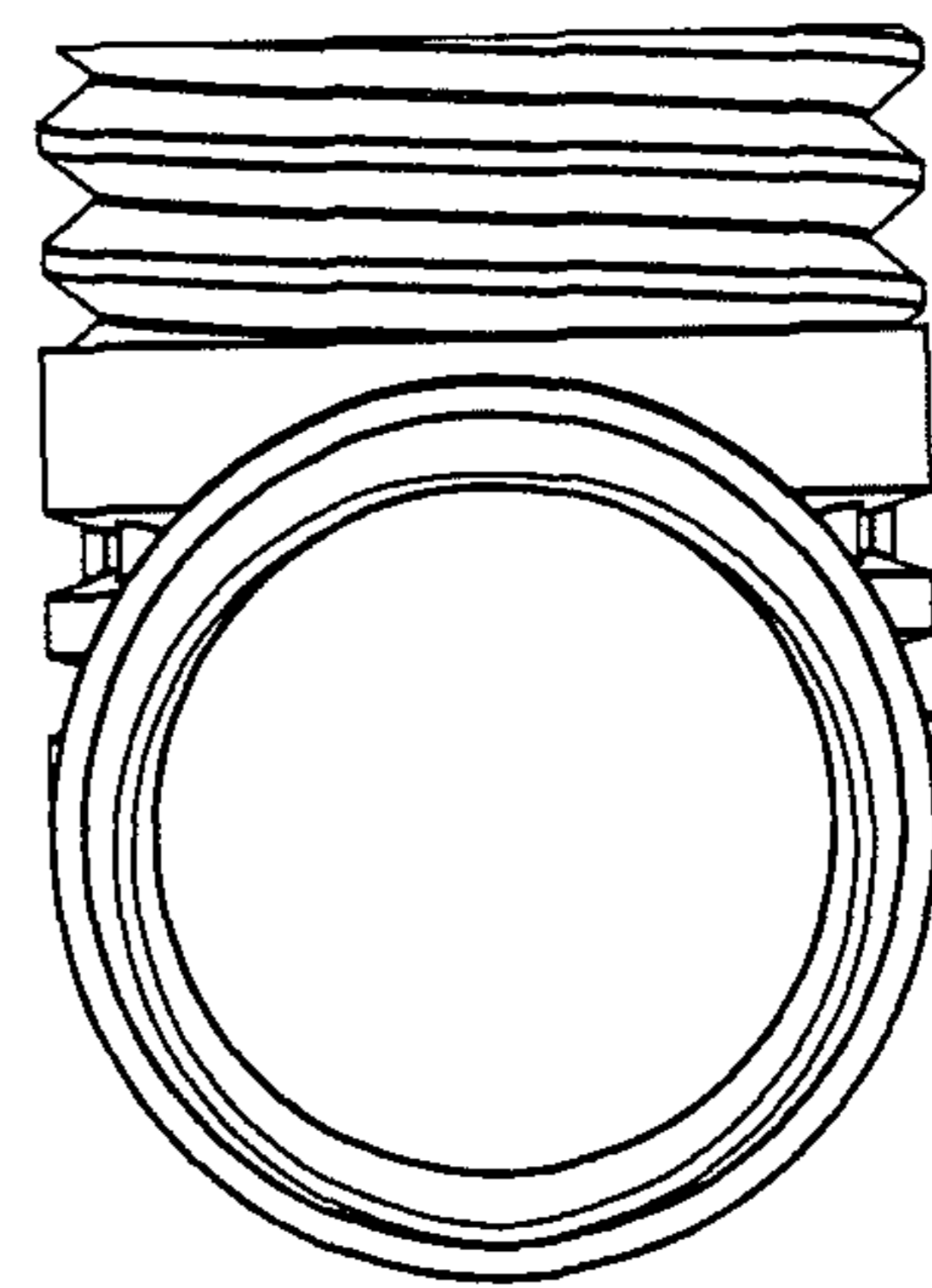


FIG 8

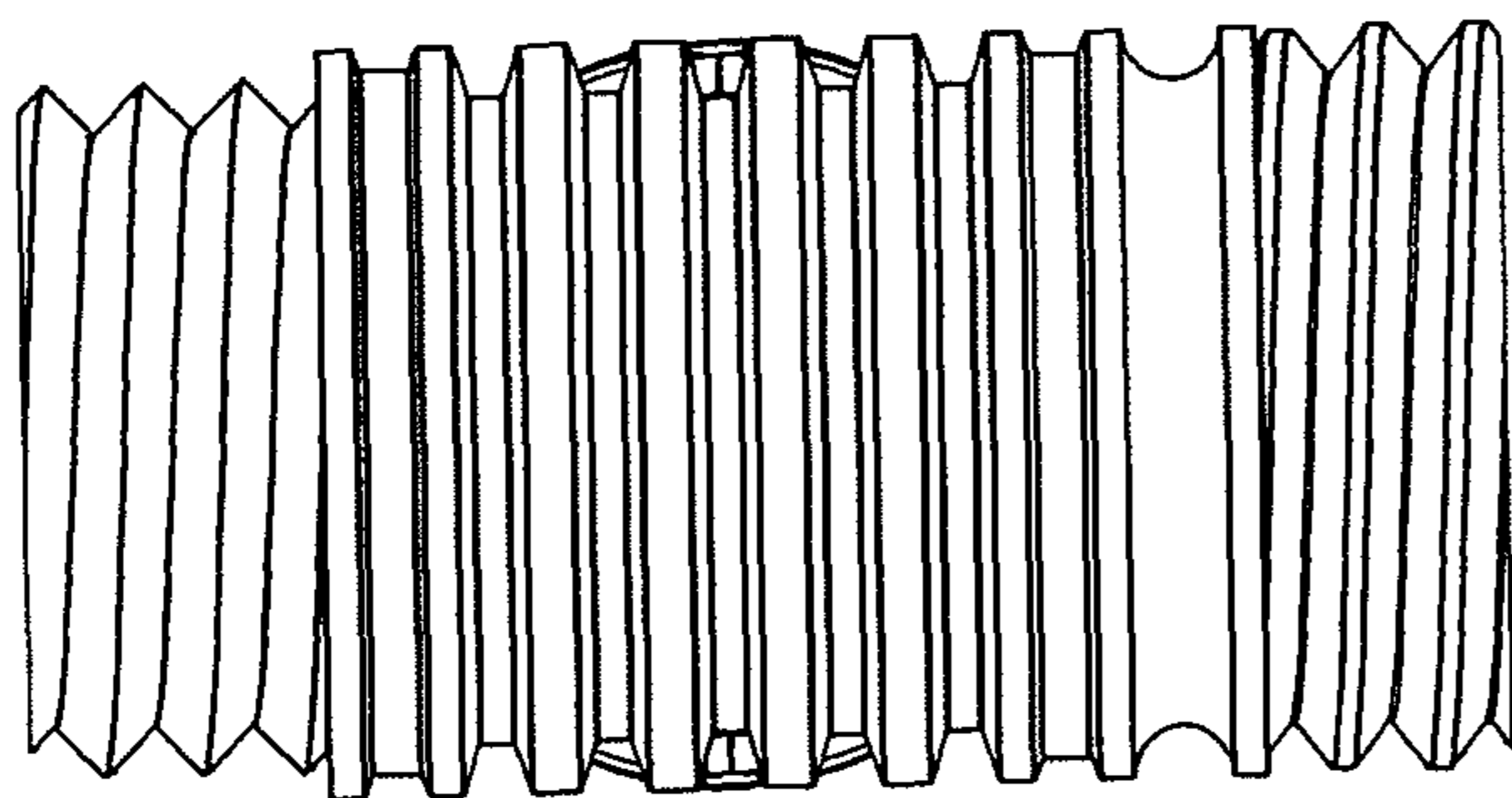


FIG 7

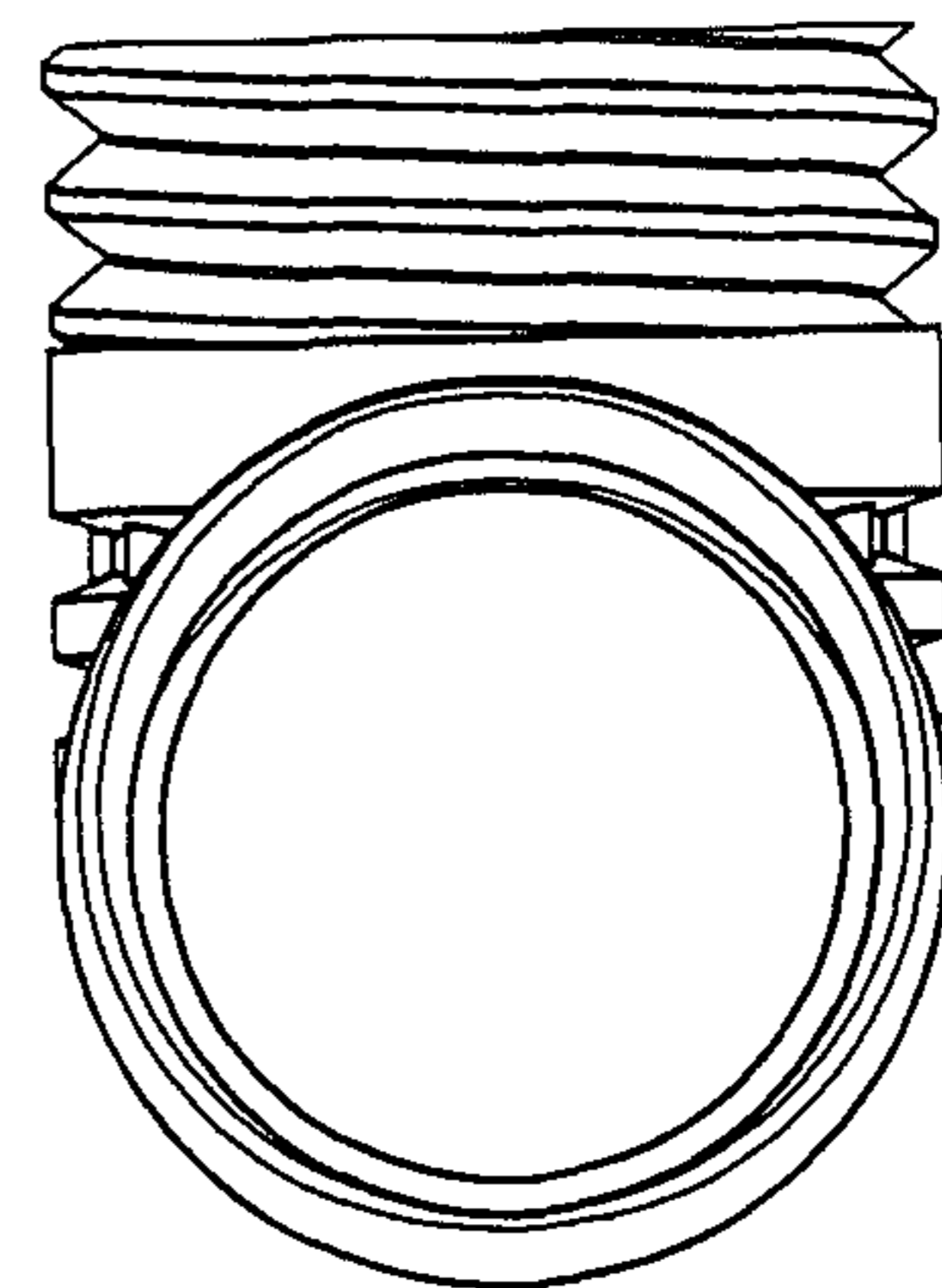


FIG 9