



US00D722140S

(12) **United States Design Patent**
Sisk

(10) **Patent No.:** **US D722,140 S**
(45) **Date of Patent:** **** Feb. 3, 2015**

- (54) **INTEGRATED TEE**
- (75) Inventor: **David E. Sisk**, St. Francois, MO (US)
- (73) Assignee: **Bulk Tank, Inc.**, Park Hills, MO (US)
- (**) Term: **14 Years**
- (21) Appl. No.: **29/421,194**
- (22) Filed: **Jun. 12, 2012**

4,848,396	A *	7/1989	Sisk	137/375
4,889,318	A *	12/1989	Sisk	251/356
5,387,015	A *	2/1995	Sisk	285/55
D358,202	S *	5/1995	Sisk	D23/263
D376,416	S *	12/1996	Sisk	D23/263
5,676,404	A *	10/1997	Sisk	285/133.11
D431,634	S *	10/2000	Mantz	D23/263
D475,448	S *	6/2003	Stout, Jr.	D23/393
D522,616	S *	6/2006	Minnick et al.	D23/233
7,568,496	B2 *	8/2009	Kraenzle	137/454.2
D613,827	S *	4/2010	Damaske et al.	D23/259
D669,968	S *	10/2012	Morishita	D23/259
D673,657	S *	1/2013	Sisk	D23/262
2009/0211655	A1 *	8/2009	Sisk	137/614.06
2013/0076021	A1 *	3/2013	Sisk	285/133.5
2013/0168956	A1 *	7/2013	Sisk	285/126.1
2013/0307262	A1 *	11/2013	Sisk	285/133.11
2014/0084581	A1 *	3/2014	Sisk	285/312

Related U.S. Application Data

- (63) Continuation-in-part of application No. 13/200,625, filed on Sep. 27, 2011, now abandoned, which is a continuation-in-part of application No. 12/249,672, filed on Oct. 10, 2008, now Pat. No. 8,091,925, application No. 29/421,194, which is a continuation-in-part of application No. 29/395,947, filed on Apr. 26, 2012, now Pat. No. Des. 673,657, which is a continuation-in-part of application No. 29/362,245, filed on May 21, 2010, now abandoned.

- (51) **LOC (10) Cl.** **23-01**
- (52) **U.S. Cl.**
USPC **D23/262**

- (58) **Field of Classification Search**
USPC D23/259-269, 386, 393; 285/12, 63, 285/88, 405; 4/252.4; D9/435-437
See application file for complete search history.

(56) **References Cited**

U.S. PATENT DOCUMENTS

1,255,562	A *	2/1918	Olson	285/133.4
1,270,049	A *	6/1918	Murray	251/328
D297,678	S *	9/1988	Sisk	D34/28

* cited by examiner

Primary Examiner — Eric Goodman

Assistant Examiner — John Reickel

(74) *Attorney, Agent, or Firm* — Paul M Denk

(57) **CLAIM**

The ornamental design for the integrated tee, as shown and described.

DESCRIPTION

FIG. 1 is an isometric view of the integrated tee of this invention;

FIG. 2 is a left side view;

FIG. 3 is a right side view;

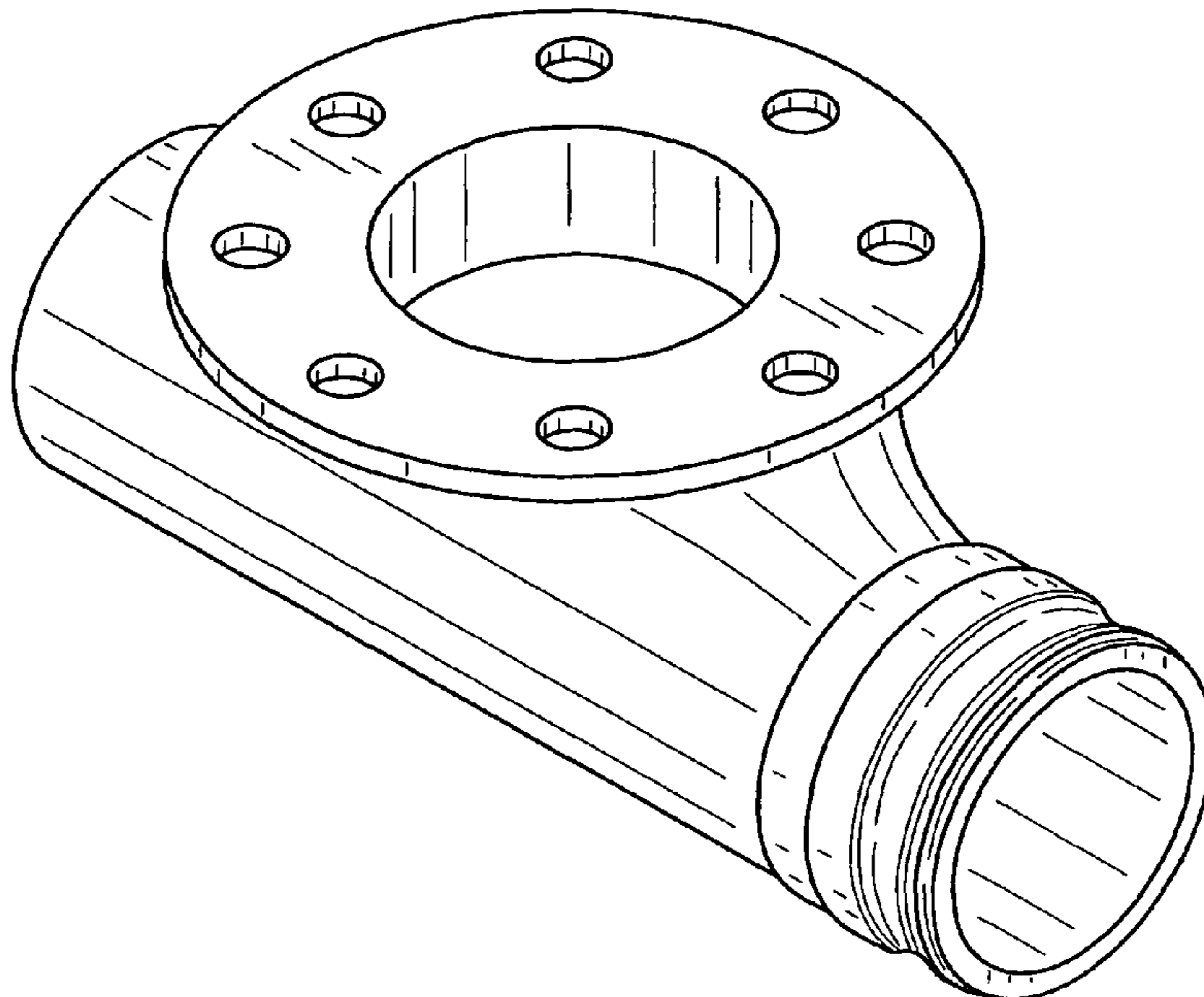
FIG. 4 is a back view;

FIG. 5 is a front view;

FIG. 6 is a top plan view; and,

FIG. 7 is a bottom view.

1 Claim, 3 Drawing Sheets



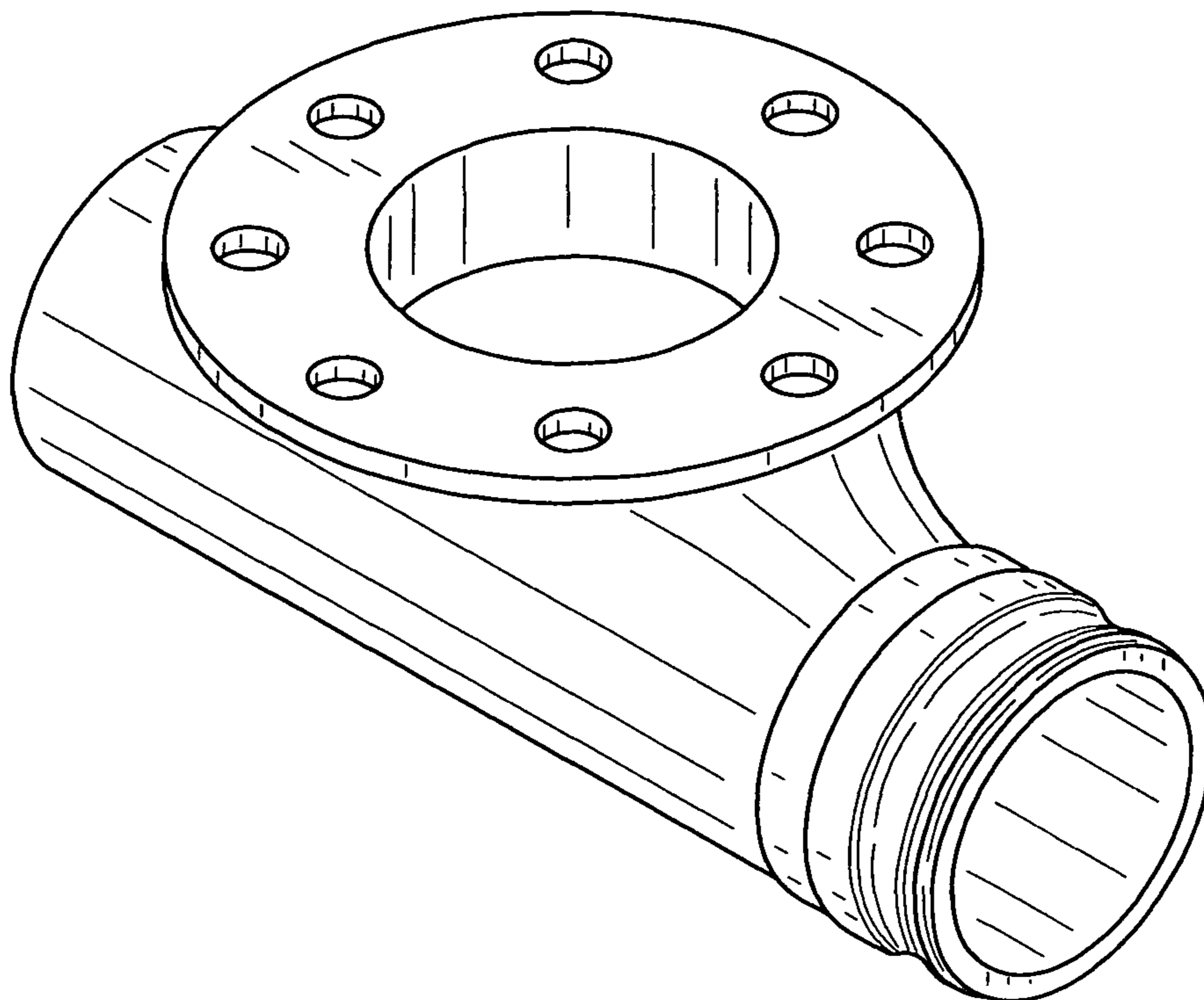


FIG. 1

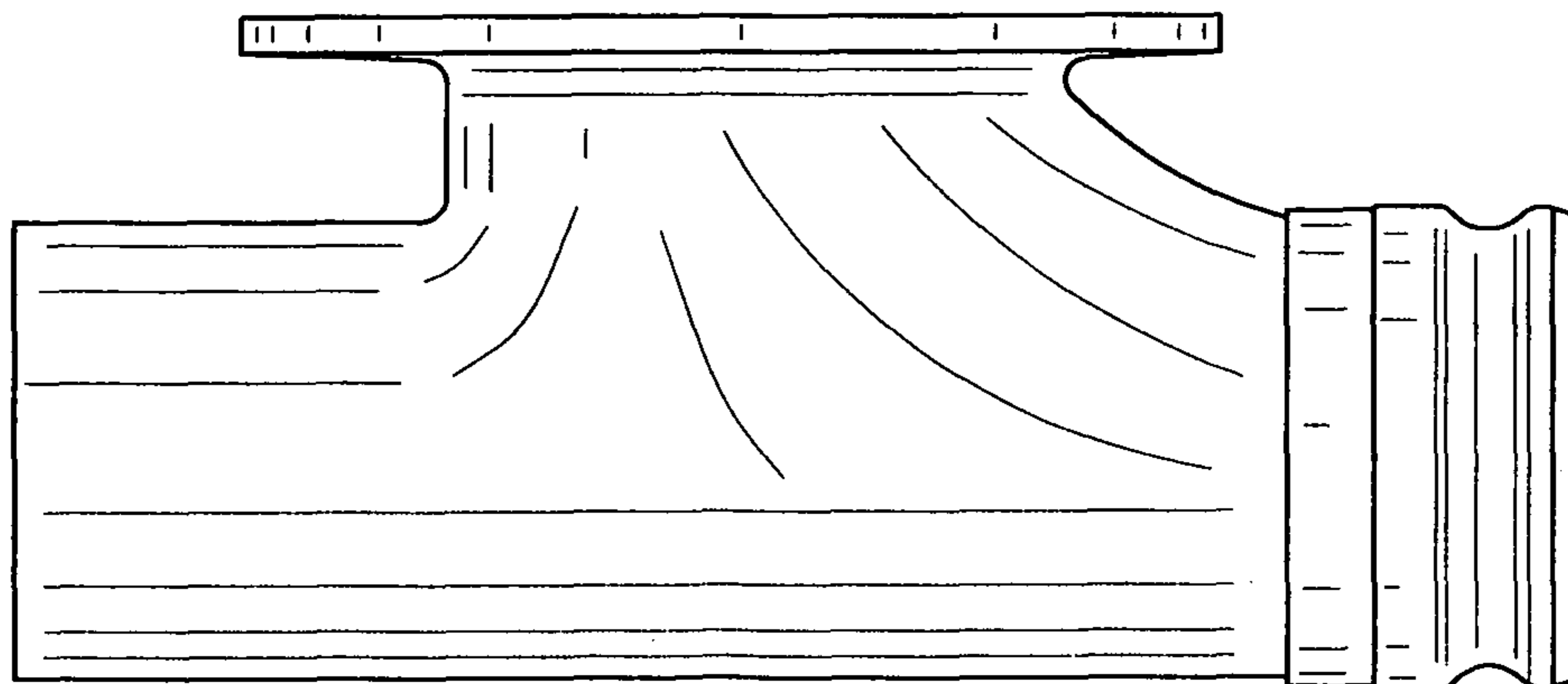


FIG. 2

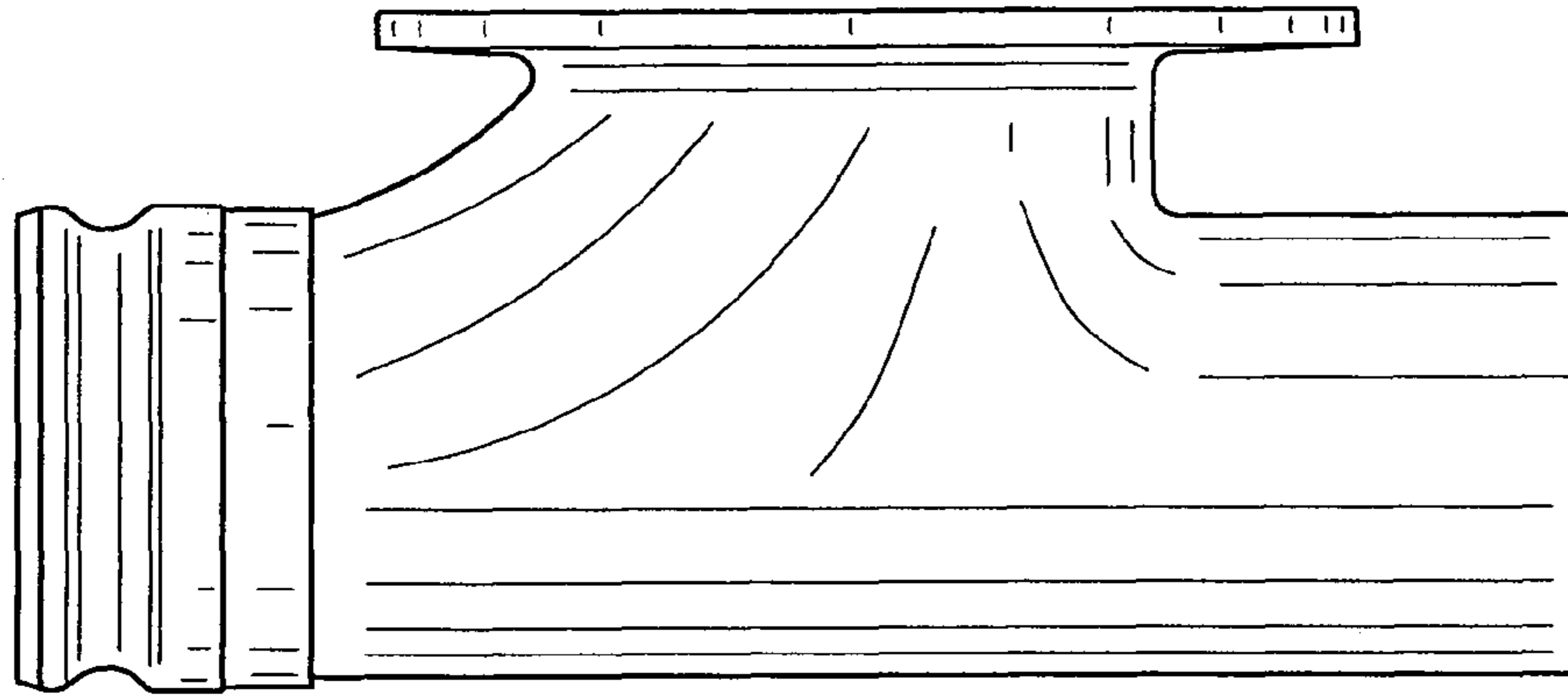


FIG. 3

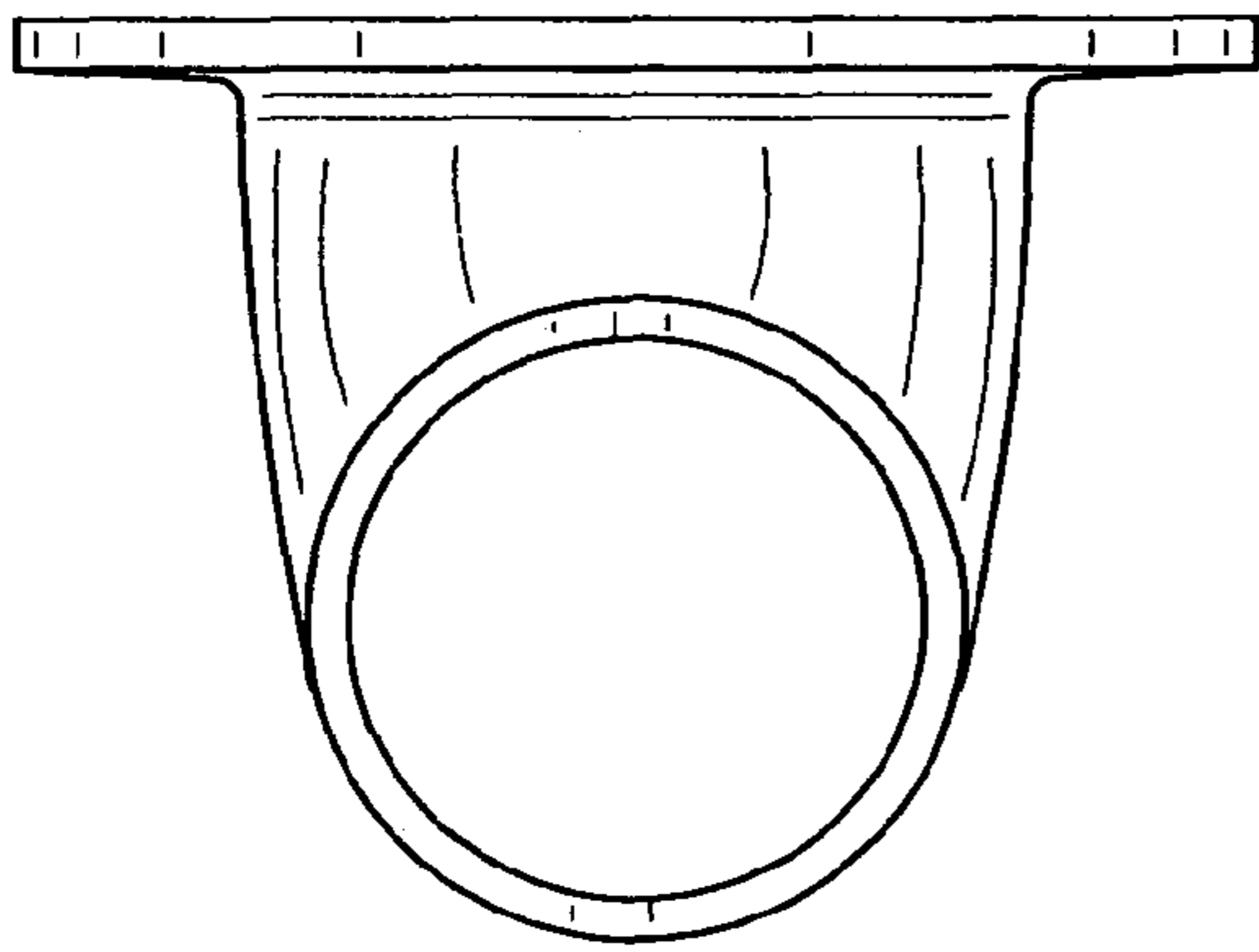


FIG. 4

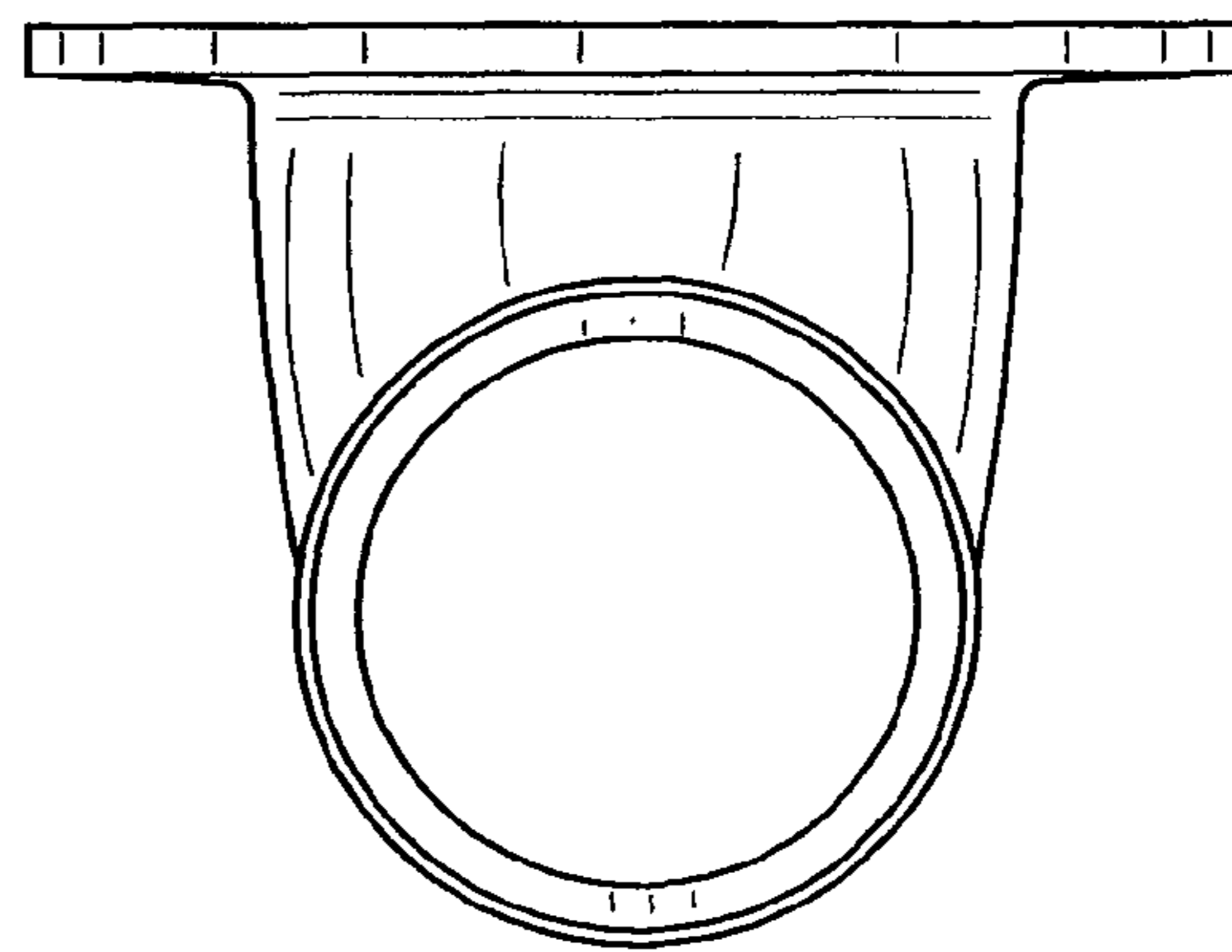


FIG. 5

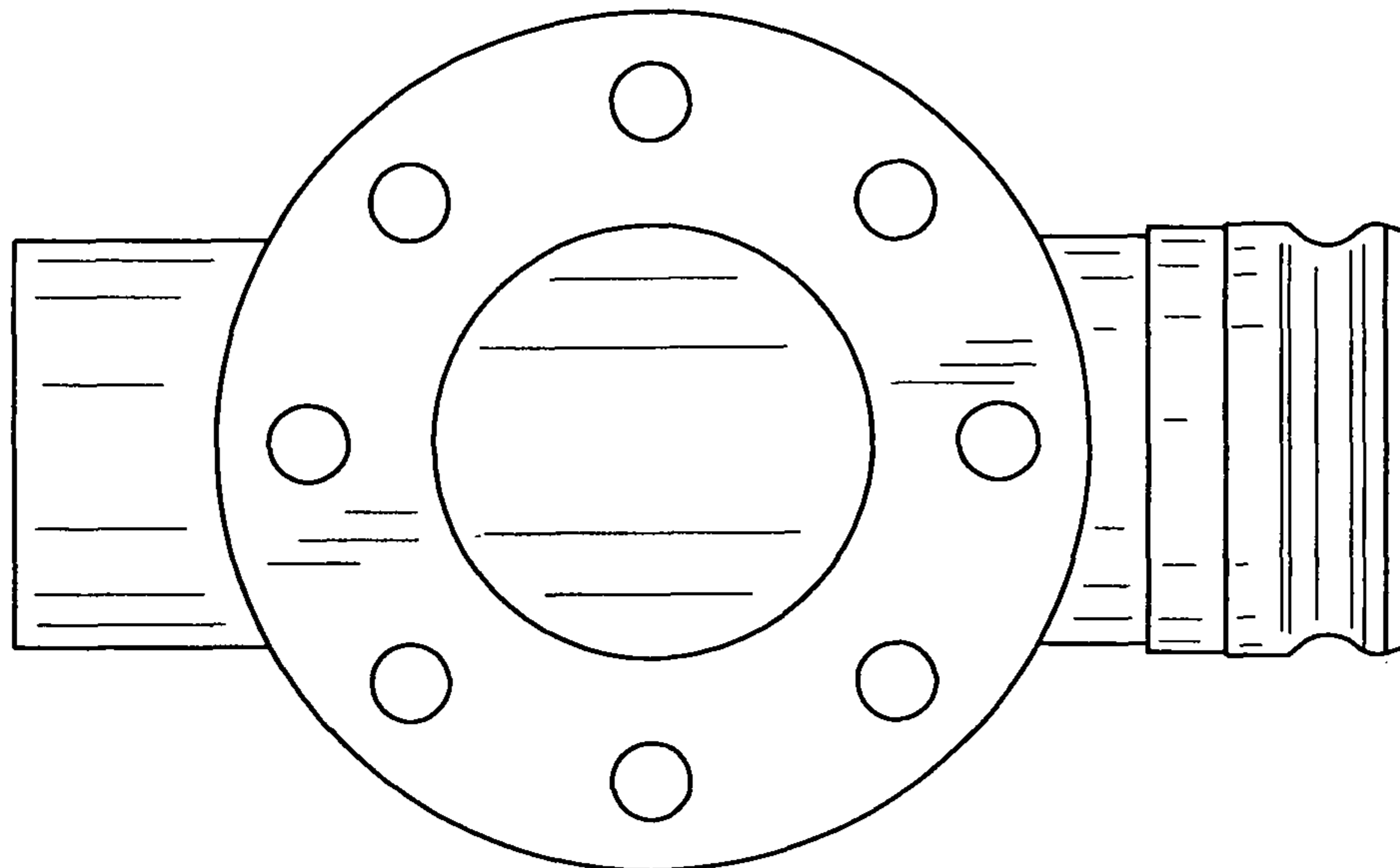


FIG. 6

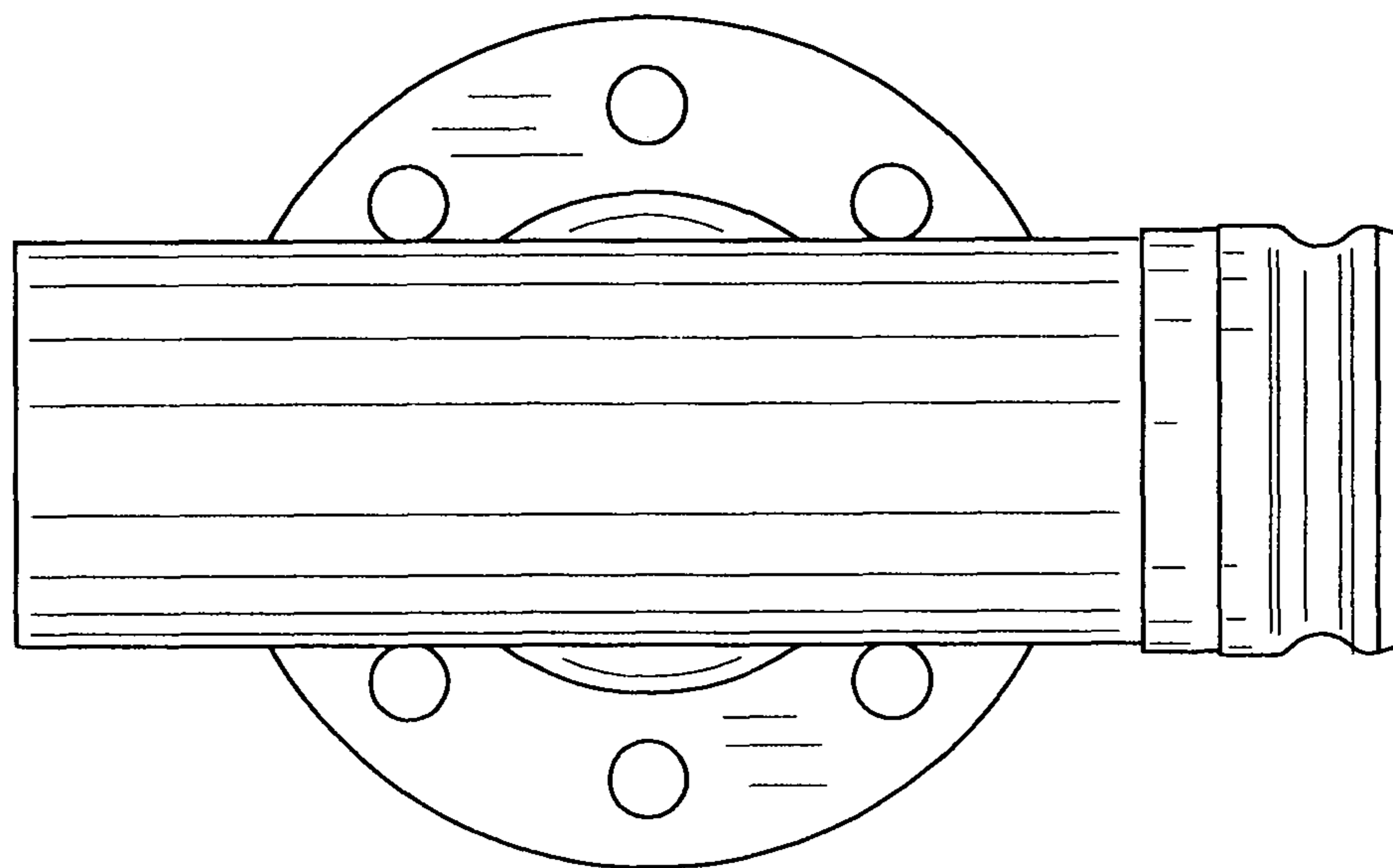


FIG. 7