

US00D722135S

(12) **United States Design Patent**
Kumakura

(10) **Patent No.:** **US D722,135 S**
(45) **Date of Patent:** **** Feb. 3, 2015**

(54) **EXPANSION VALVE**

(71) Applicant: **TGK Co., Ltd.**, Tokyo (JP)

(72) Inventor: **Takanao Kumakura**, Tokyo (JP)

(73) Assignee: **TGK Co., Ltd.**, Tokyo (JP)

(**) Term: **14 Years**

(21) Appl. No.: **29/480,192**

(22) Filed: **Jan. 23, 2014**

(30) **Foreign Application Priority Data**

Jul. 23, 2013 (JP) 2013-016683

(51) **LOC (10) Cl.** **23-01**

(52) **U.S. Cl.**
USPC **D23/233**

(58) **Field of Classification Search**
CPC F16K 15/00; F16K 15/18; F16K 15/026;
F16K 15/044; B60T 17/04
USPC D23/233-250; D15/5, 7; 137/15.04,
137/15.08, 515, 7, 859, 843, 332, 529,
137/533.17, 540, 54, 543.17, 512.1, 468;
251/331, 333; 62/222, 504
See application file for complete search history.

(56) **References Cited**

U.S. PATENT DOCUMENTS

- D413,373 S * 8/1999 Watanabe D23/233
- 6,434,971 B2 * 8/2002 Fukuda et al. 62/504
- 6,626,370 B2 * 9/2003 Yano et al. 236/92 B
- D498,516 S * 11/2004 Fukuda et al. D23/233
- D502,252 S * 2/2005 Fukuda et al. D23/233
- D504,714 S * 5/2005 Fukuda et al. D23/233
- D505,183 S * 5/2005 Fukuda et al. D23/233
- D532,080 S * 11/2006 Kobayashi et al. D23/233
- 7,316,118 B2 * 1/2008 Hirota et al. 62/222
- D589,118 S 3/2009 Watanabe

- D601,662 S * 10/2009 Kobayashi et al. D23/233
- D602,560 S * 10/2009 Shimura et al. D23/233
- D611,123 S * 3/2010 Matsumoto D23/233
- D621,475 S * 8/2010 Matsumoto D23/233
- D647,597 S * 10/2011 Kobayashi et al. D23/233
- D648,000 S * 11/2011 Shimura et al. D23/233
- D648,001 S * 11/2011 Kobayashi et al. D23/233
- D648,418 S * 11/2011 Kobayashi et al. D23/233
- D648,419 S * 11/2011 Shimura et al. D23/233
- D649,222 S * 11/2011 Kobayashi et al. D23/233
- D683,815 S * 6/2013 Kobayashi et al. D23/233
- D683,816 S * 6/2013 Kobayashi et al. D23/233
- D683,817 S * 6/2013 Kobayashi et al. D23/233
- D683,818 S * 6/2013 Kobayashi et al. D23/233
- D683,819 S * 6/2013 Watanabe et al. D23/233

(Continued)

FOREIGN PATENT DOCUMENTS

- EM 001974692-0002 12/2012
- EM 0019742692-0001 12/2012

(Continued)

Primary Examiner — Cynthia Ramirez

Assistant Examiner — Gino Colan

(74) *Attorney, Agent, or Firm* — Martine Penilla Group, LLP

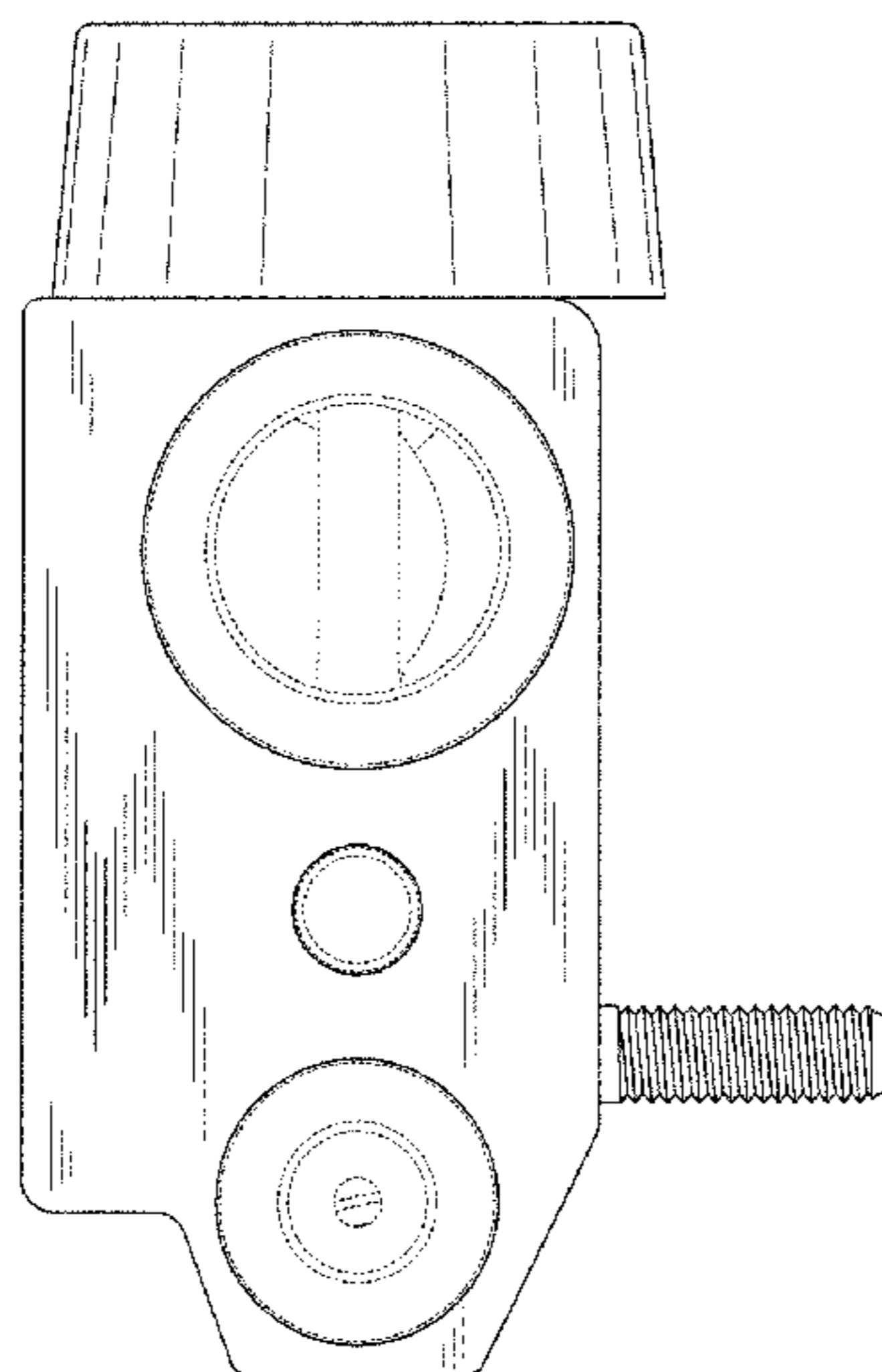
(57) **CLAIM**

The ornamental design for an expansion valve, as shown and described.

DESCRIPTION

FIG. 1 is a front view of an expansion valve showing my new design;
 FIG. 2 is a rear view thereof;
 FIG. 3 is a top view thereof;
 FIG. 4 is a bottom view thereof;
 FIG. 5 is a right side view thereof;
 FIG. 6 is a left side view thereof;
 FIG. 7 is a front perspective view thereof; and,
 FIG. 8 is a rear perspective view thereof.
 The broken lines are for the purpose of illustrating portions of the expansion valve and form no part of the claimed design.

1 Claim, 8 Drawing Sheets



(56)

References Cited

U.S. PATENT DOCUMENTS

D683,820 S *	6/2013	Watanabe et al.	D23/233	JP	1058880	10/1999
D689,594 S *	9/2013	Kumakura	D23/233	JP	1092026	9/2000
D692,533 S *	10/2013	Kaneko	D23/233	JP	1092027	9/2000
D693,430 S *	11/2013	Kaneko	D23/233	JP	1092037	9/2000
D694,362 S *	11/2013	Kaneko	D23/233	JP	1092303	9/2000
D701,292 S *	3/2014	Kaneko	D23/233	JP	1213883	6/2004
D701,590 S *	3/2014	Kaneko	D23/233	JP	1213884	6/2004
8,667,984 B2 *	3/2014	Kobayashi et al.	137/468	JP	1214177	6/2004
D706,393 S *	6/2014	Kaneko	D23/233	JP	1214178	6/2004
D712,010 S *	8/2014	Okutsu et al.	D23/233	JP	1239343	3/2005
2005/0252238 A1 *	11/2005	Kobayashi et al.	62/527	JP	1239603	3/2005
2006/0196201 A1 *	9/2006	Sendo et al.	62/222	JP	1249639	7/2005
2010/0237270 A1 *	9/2010	Kobayashi et al.	251/331	JP	1323298	2/2008
				JP	1323299	2/2008
				JP	1323300	2/2008
				JP	1337517	7/2008
				JP	1358213	4/2009

FOREIGN PATENT DOCUMENTS

EM 002316224-0001 9/2013

* cited by examiner

FIG. 1

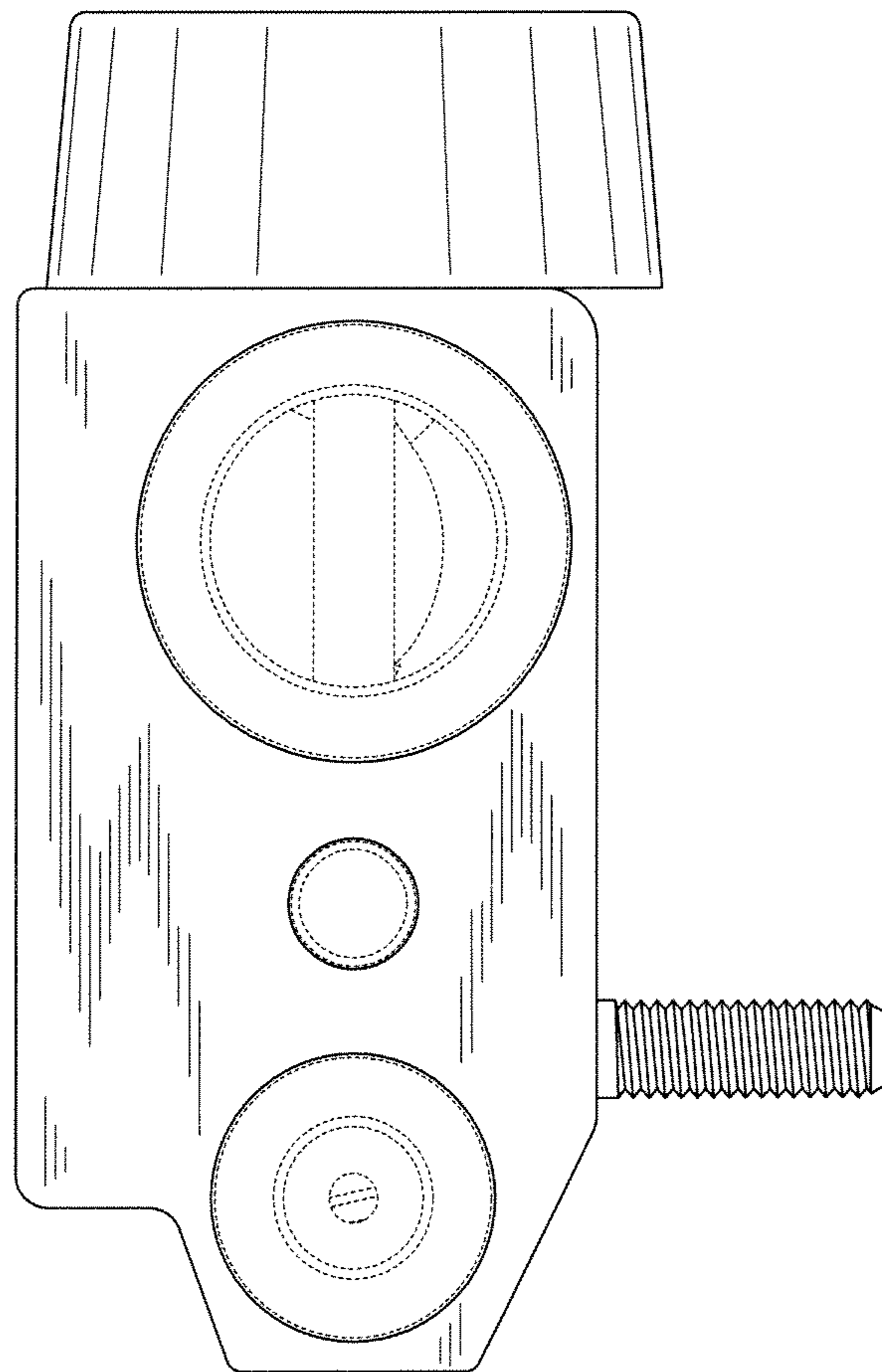


FIG. 2

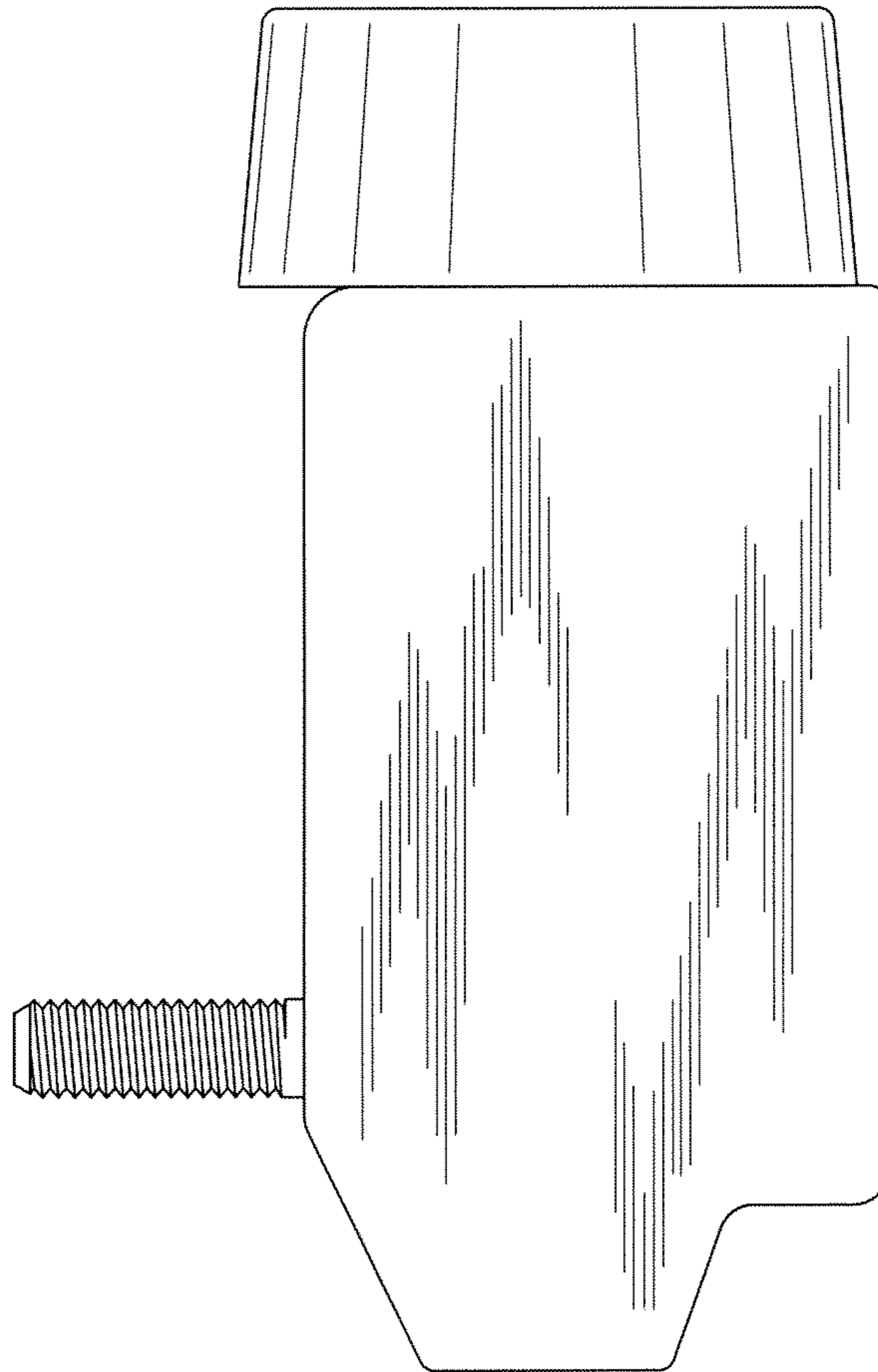


FIG. 3

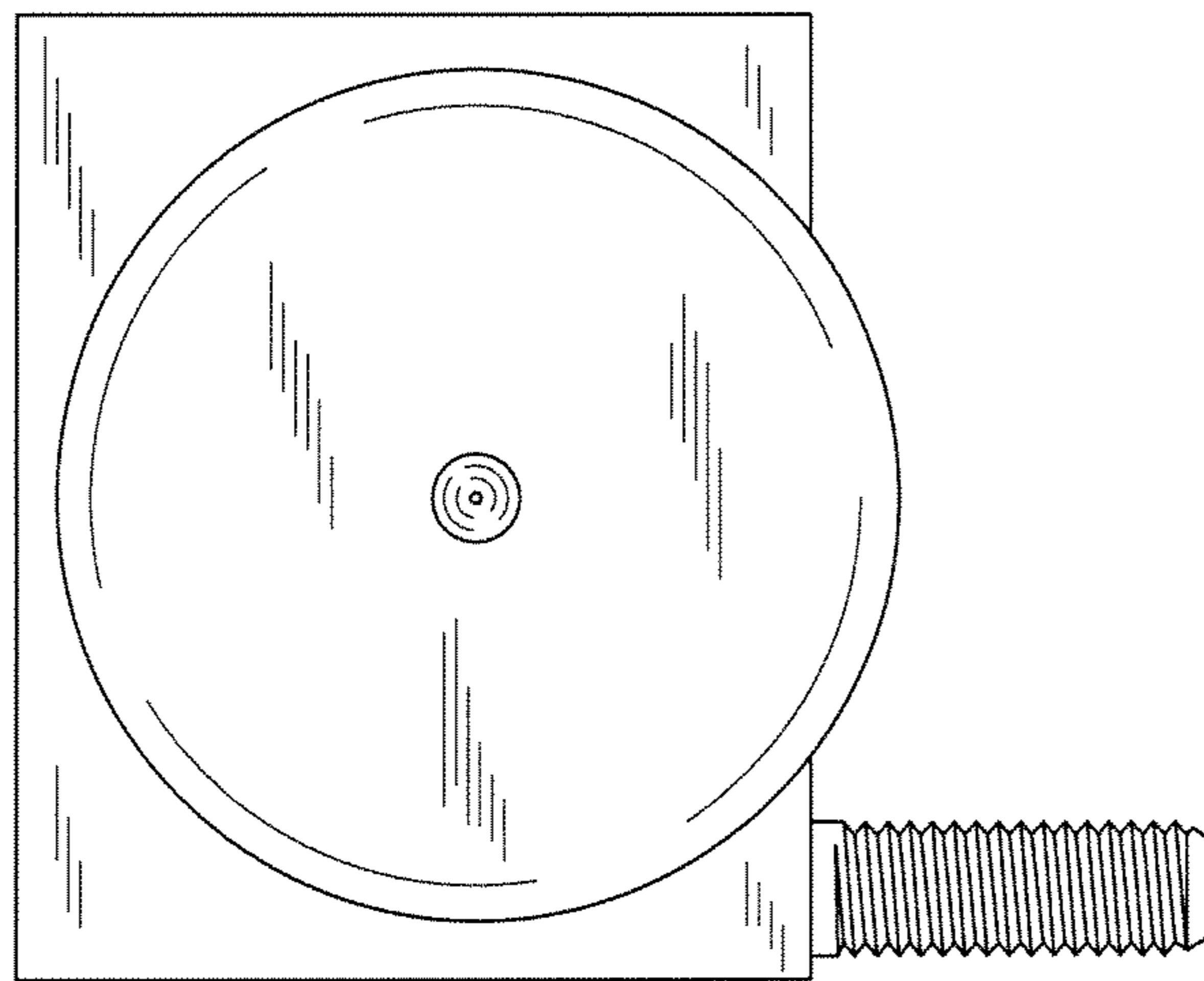


FIG. 4

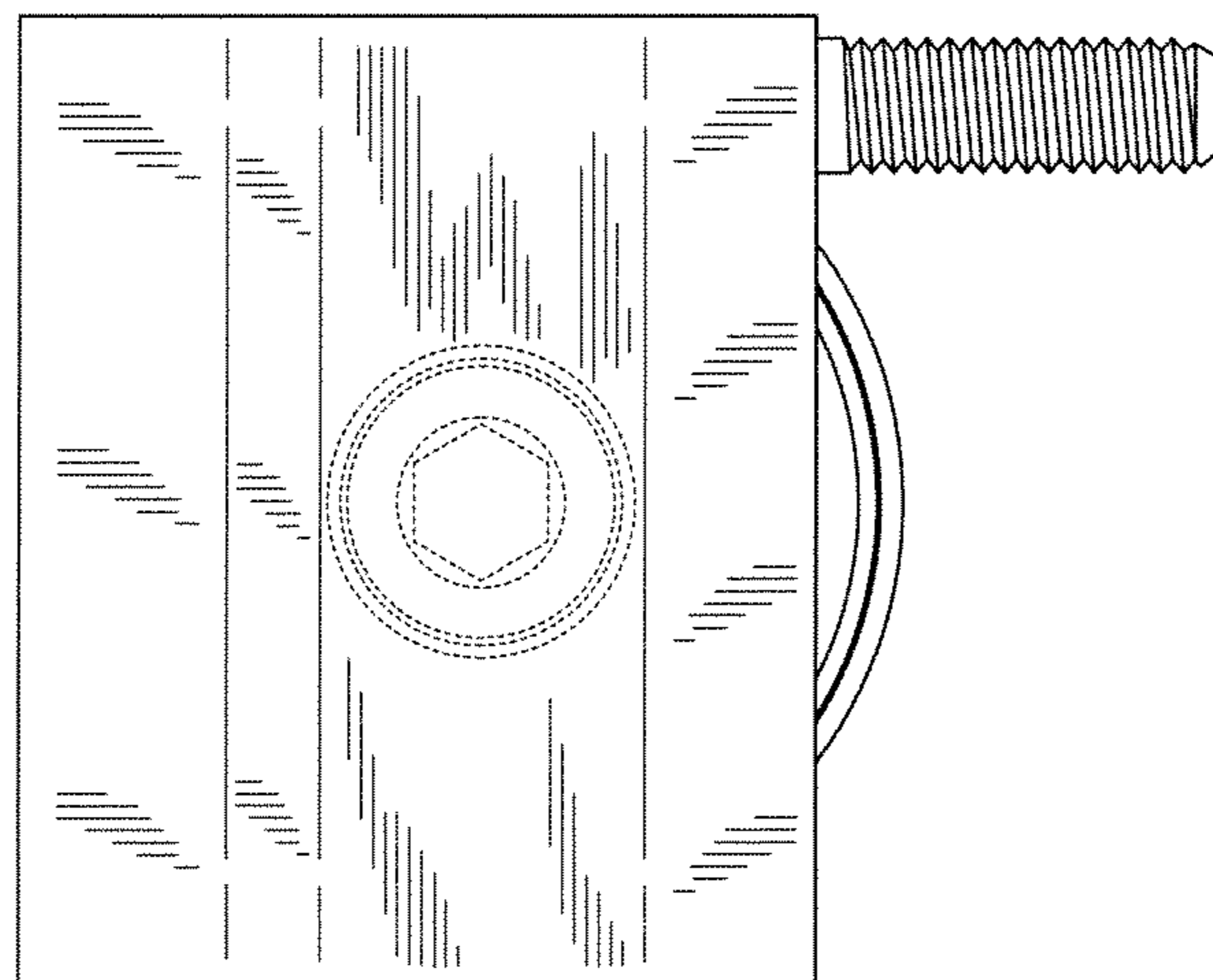


FIG. 5

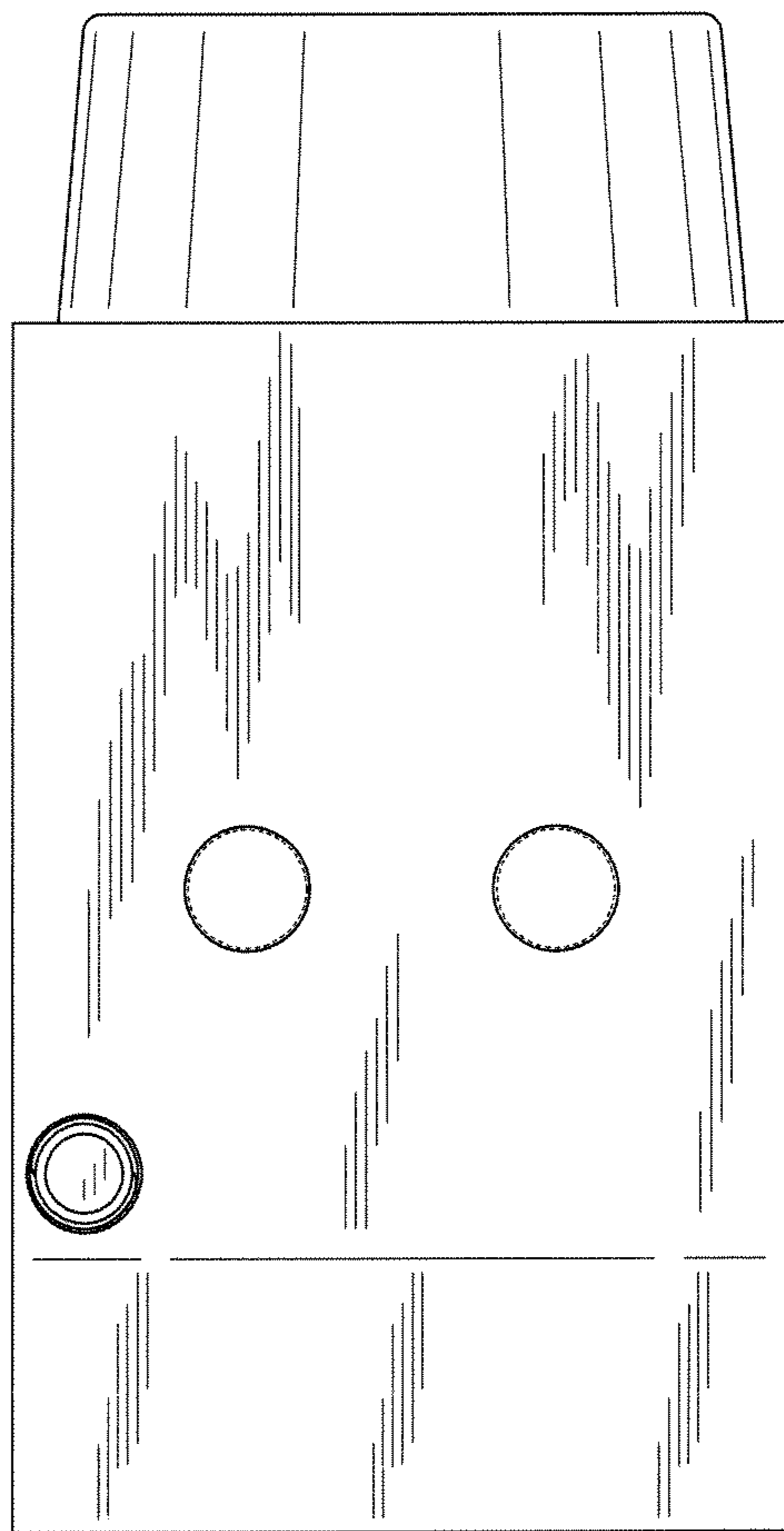


FIG. 6

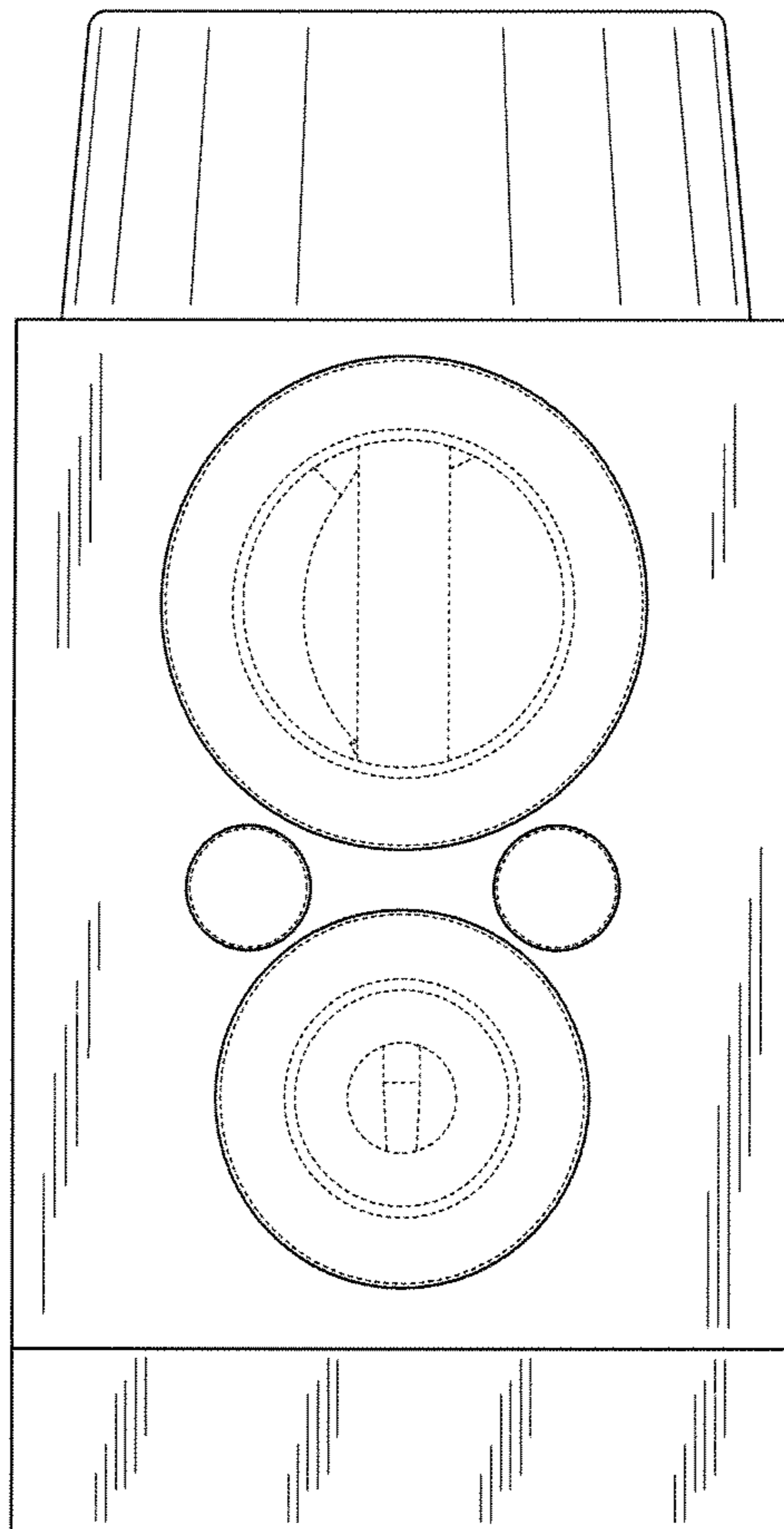


FIG. 7

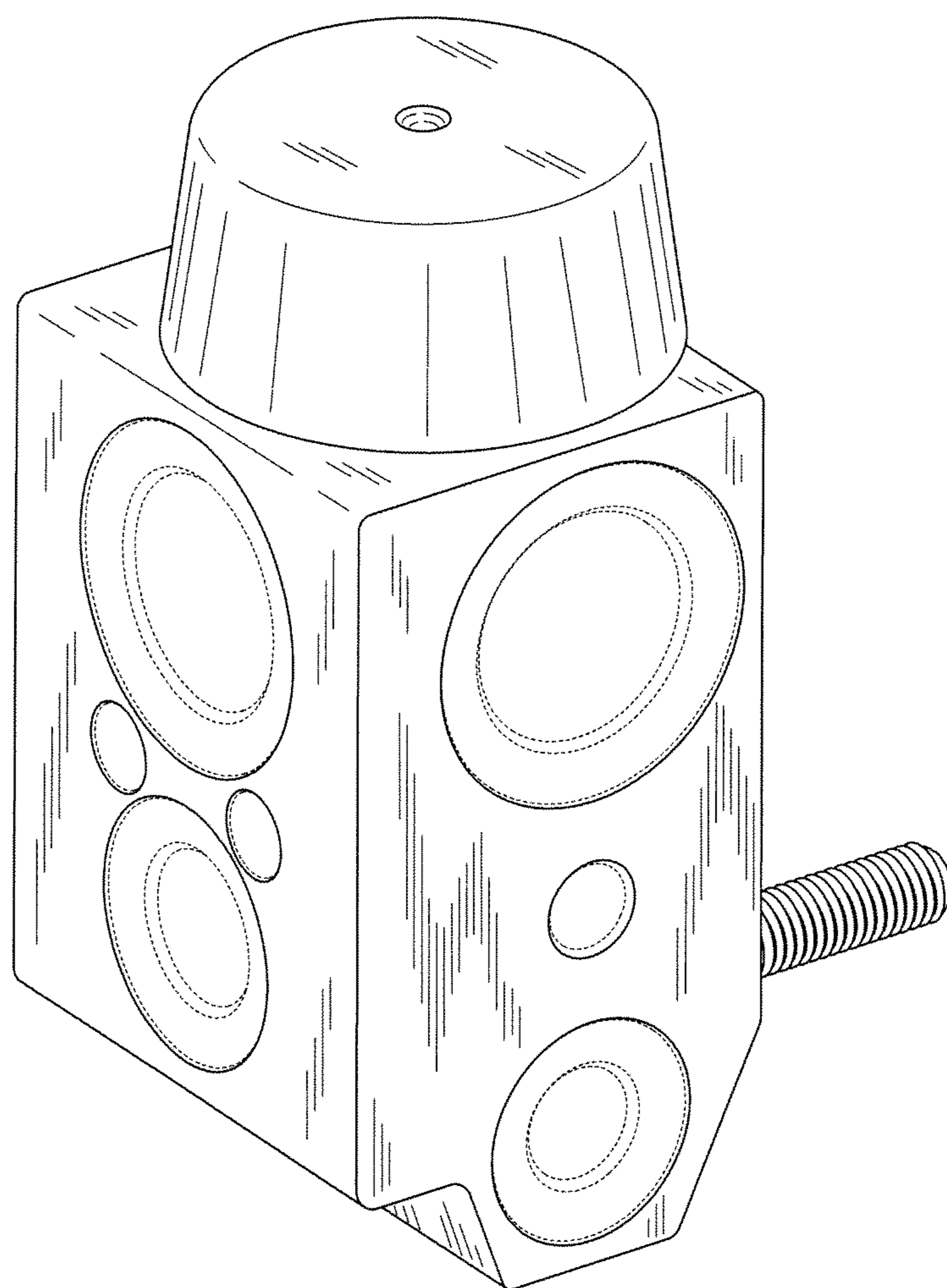


FIG. 8

