



US00D722133S

(12) **United States Design Patent**
Yu

(10) **Patent No.:** **US D722,133 S**
(45) **Date of Patent:** **** Feb. 3, 2015**

(54) **SHOWER**

(71) Applicant: **Ningbo Junshui Sanitary Wares Co., Ltd.**, Ningbo, Zhejiang (CN)

(72) Inventor: **Chenhua Yu**, Zhejiang (CN)

(73) Assignee: **Ningbo Junshui Sanitary Wares Co., Ltd.**, Ningbo (CN)

(**) Term: **14 Years**

(21) Appl. No.: **29/471,842**

(22) Filed: **Nov. 5, 2013**

(30) **Foreign Application Priority Data**

May 17, 2013 (CN) 2013 3 0187088

(51) **LOC (10) Cl.** **23-01**

(52) **U.S. Cl.**
USPC **D23/223**

(58) **Field of Classification Search**
CPC B05B 1/18; B05B 1/00
USPC D23/213, 223; 239/462, 282-283;
4/615

See application file for complete search history.

(56) **References Cited**

U.S. PATENT DOCUMENTS

D381,737 S *	7/1997	Chan	D23/223
D551,737 S *	9/2007	Haug et al.	D23/223
D610,229 S *	2/2010	Wu et al.	D23/223
D610,231 S *	2/2010	Wu et al.	D23/223
D626,195 S *	10/2010	De Quesada et al.	D23/223
7,900,295 B2 *	3/2011	Lev	4/615
D652,105 S *	1/2012	Corbett et al.	D23/213
D697,177 S *	1/2014	Schoenherr et al.	D23/223
D701,290 S *	3/2014	Streitwieser	D23/223
D707,331 S *	6/2014	Schoenherr et al.	D23/223

* cited by examiner

Primary Examiner — Robin V Webster

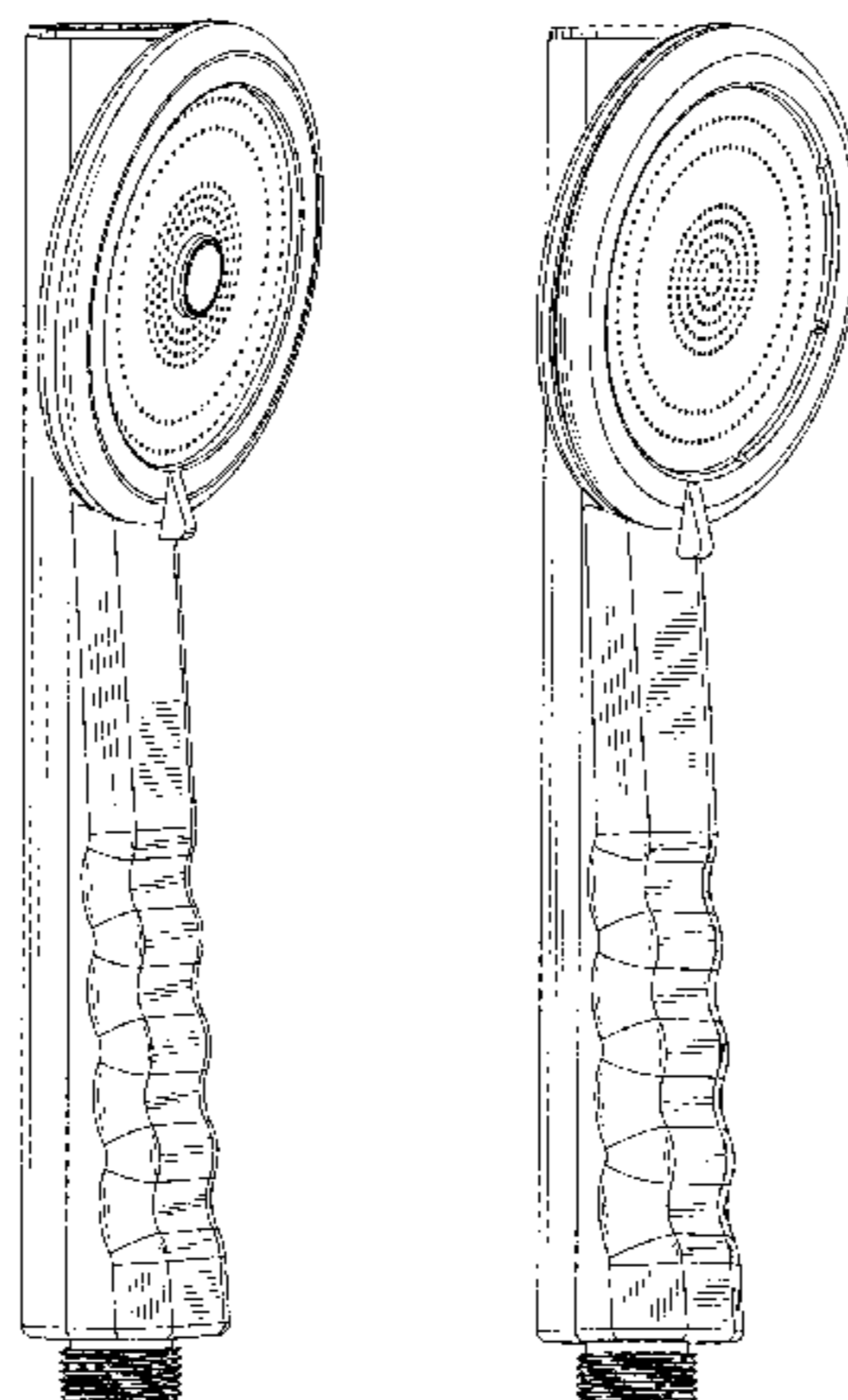
(57) **CLAIM**

The ornamental design for a shower, as shown and described.

DESCRIPTION

FIG. 1 is a front elevation view of a shower according to a first embodiment of my new design;
 FIG. 2 is a rear elevation view of the shower according to the first embodiment of my new design;
 FIG. 3 is a left side view of the shower according to the first embodiment of my new design;
 FIG. 4 is a right side view of the shower according to the first embodiment of my new design;
 FIG. 5 is a top plan view of the shower according to the first embodiment of my new design;
 FIG. 6 is a bottom plan view of the shower according to the first embodiment of my new design;
 FIG. 7 is a first perspective view of the shower according to the first embodiment of my new design;
 FIG. 8 is a second perspective view of the shower according to the first embodiment of my new design;
 FIG. 9 is a third perspective view of the shower according to the first embodiment of my new design;
 FIG. 10 is a front elevation view of a shower according to a second embodiment of my new design;
 FIG. 11 is a rear elevation view of the shower according to the second embodiment of my new design;
 FIG. 12 is a left side view of the shower according to the second embodiment of my new design;
 FIG. 13 is a right side view of the shower according to the second embodiment of my new design;
 FIG. 14 is a top plan view of the shower according to the second embodiment of my new design;
 FIG. 15 is a bottom plan view of the shower according to the second embodiment of my new design;
 FIG. 16 is a first perspective view of the shower according to the second embodiment of my new design;
 FIG. 17 is a second perspective view of the shower according to the second embodiment of my new design; and,
 FIG. 18 is a third perspective view of the shower according to the second embodiment of my new design.

1 Claim, 16 Drawing Sheets



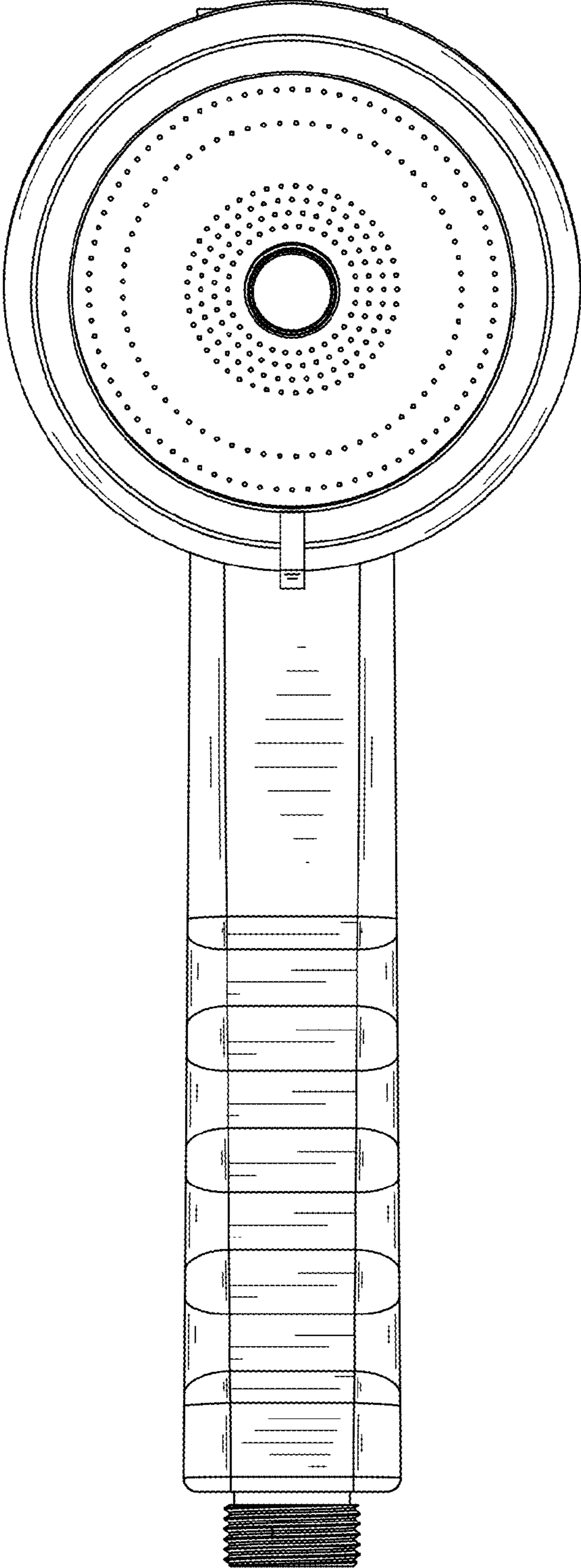


FIG. 1

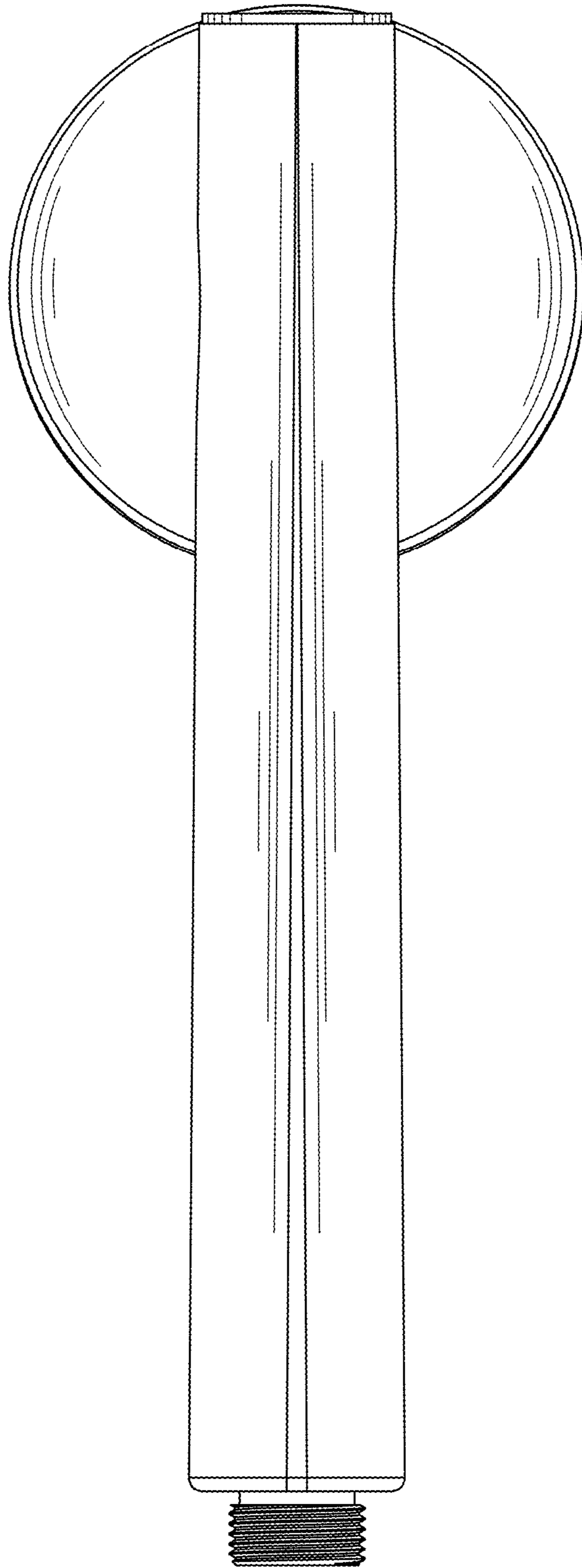


FIG. 2

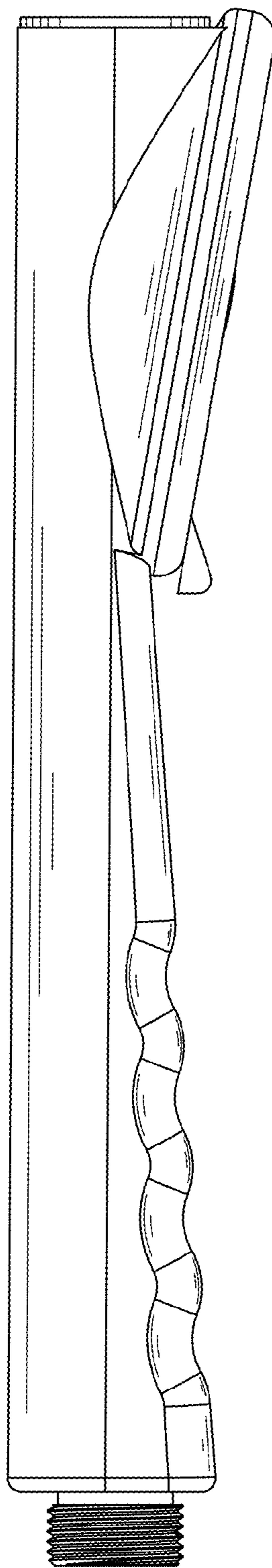


FIG. 3

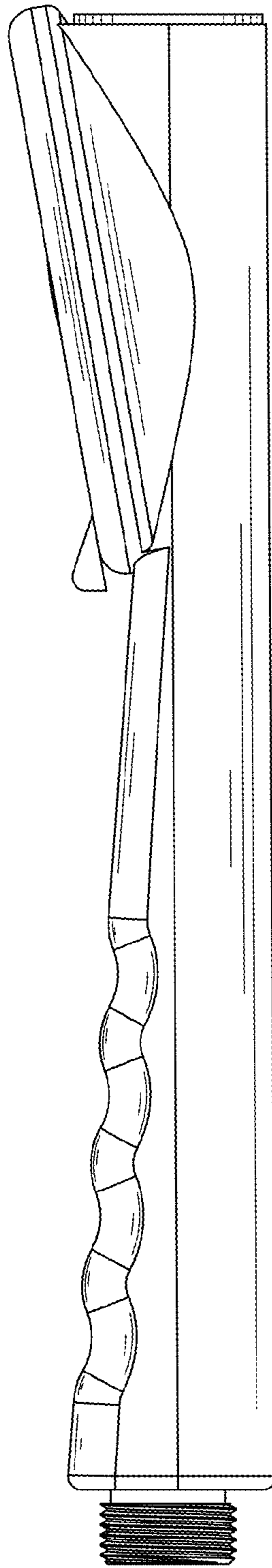


FIG. 4

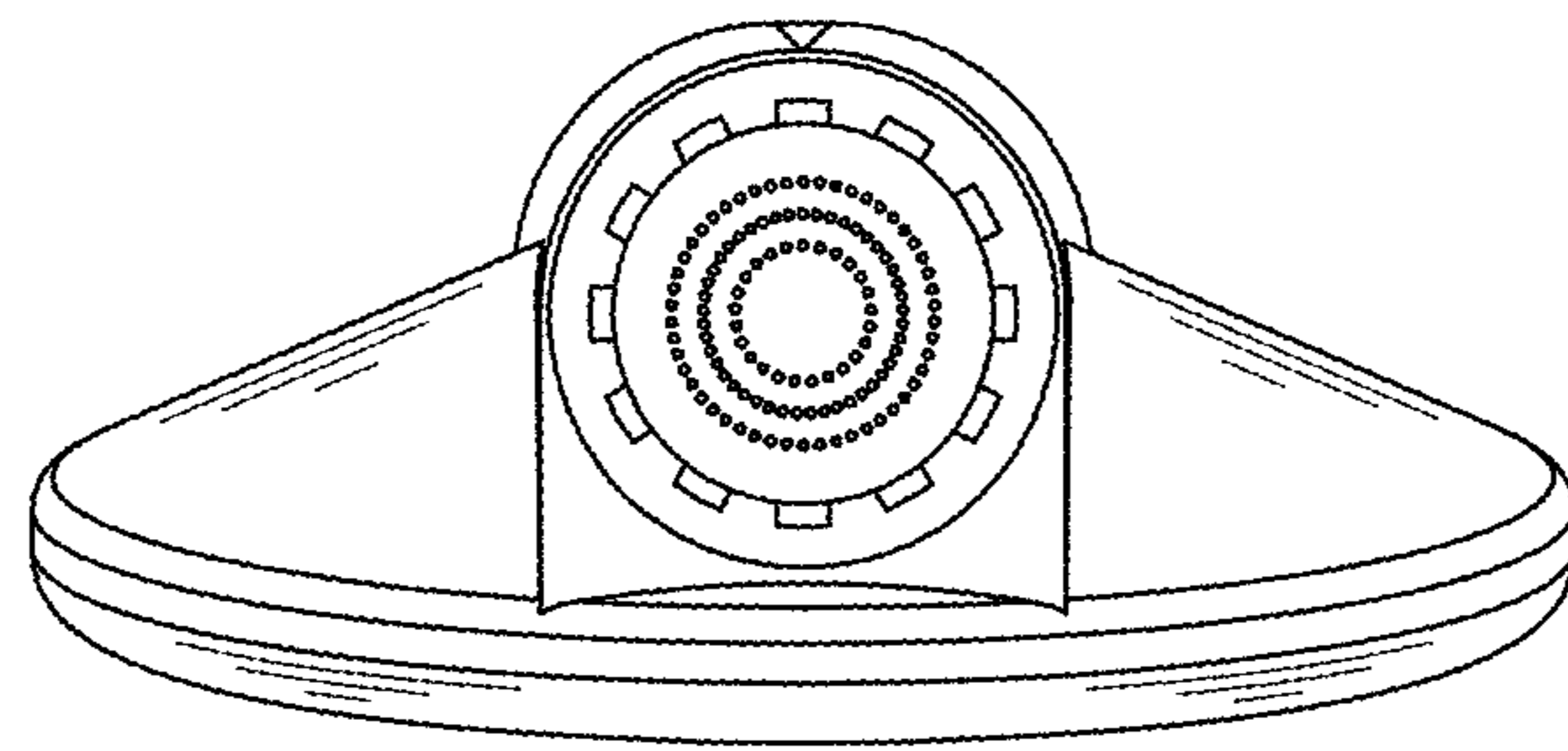


FIG. 5

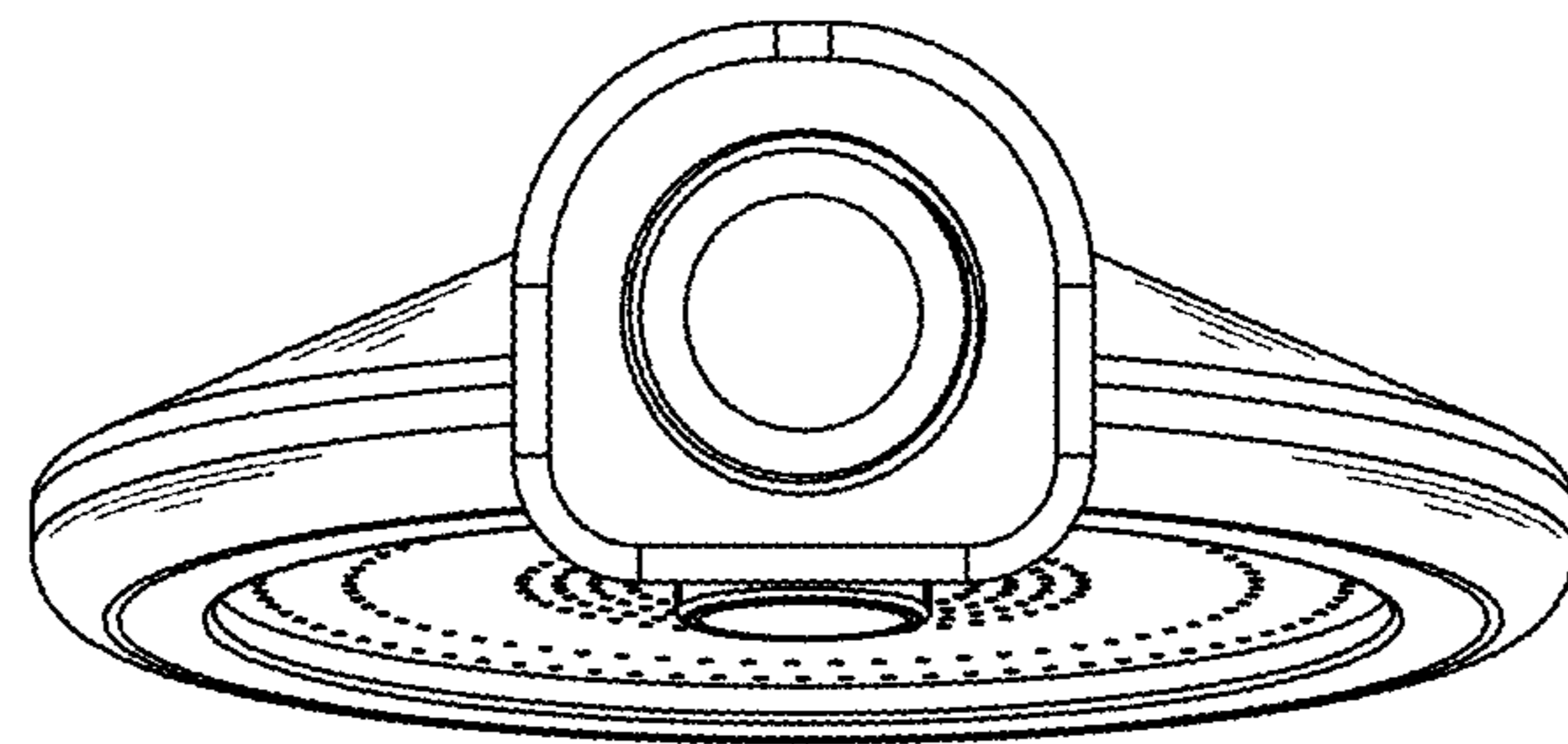


FIG. 6

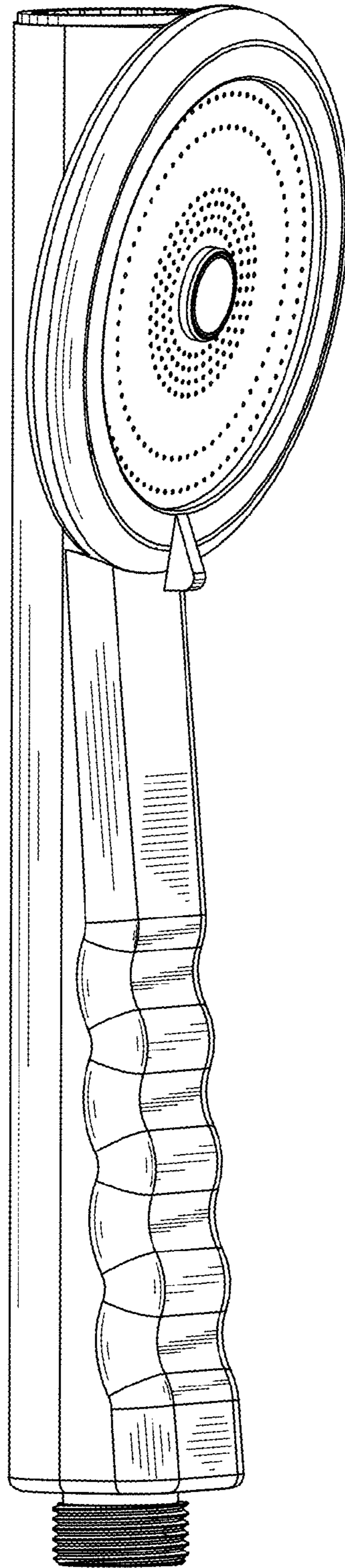


FIG. 7

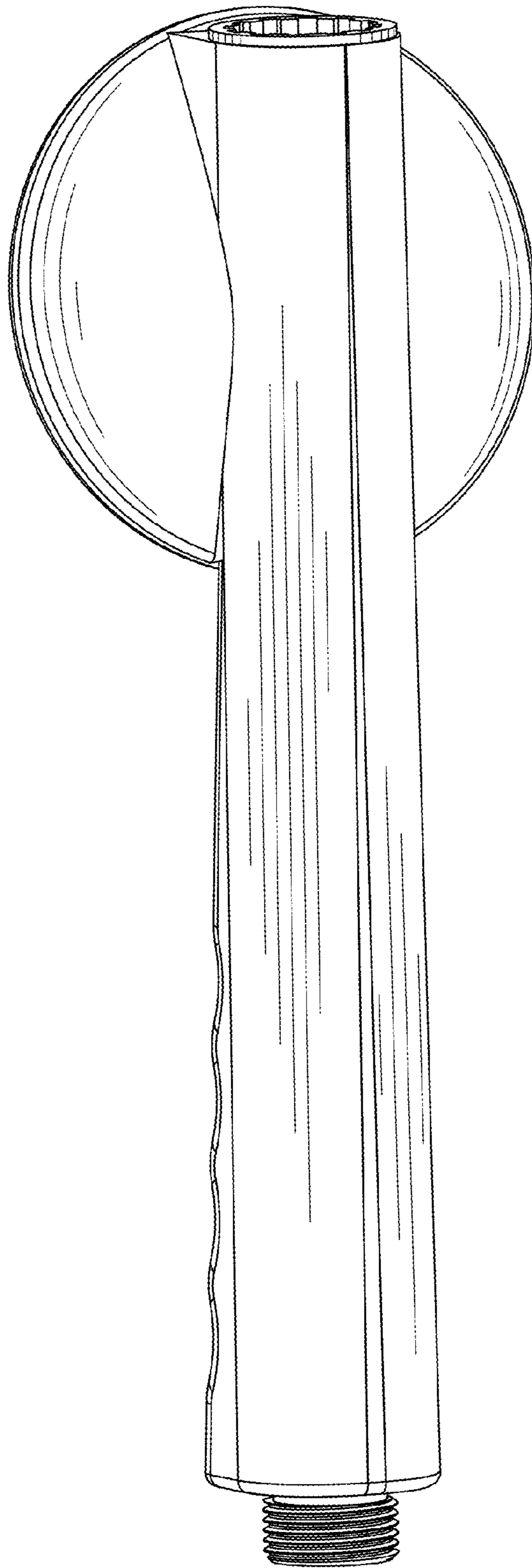


FIG. 8

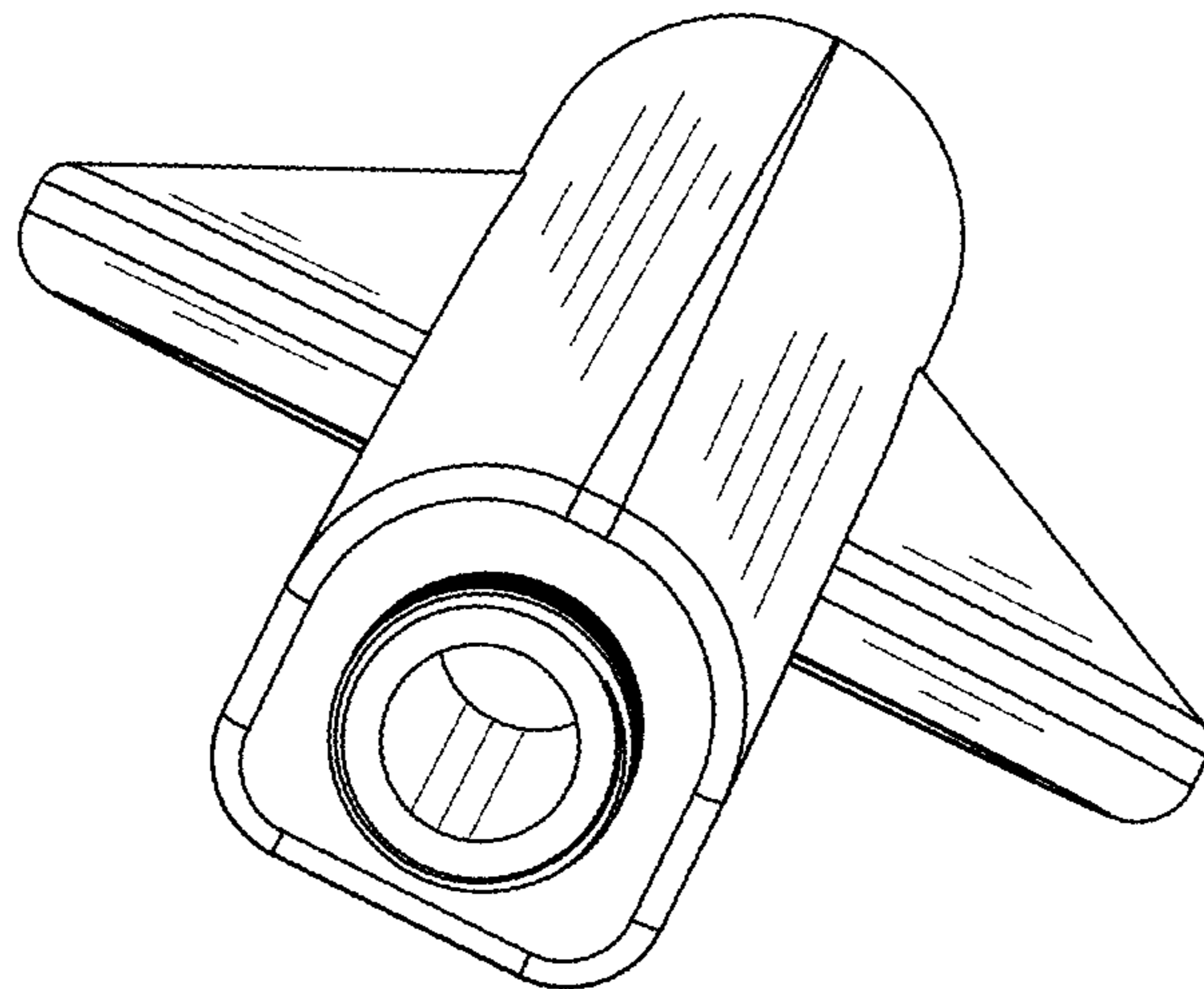


FIG. 9

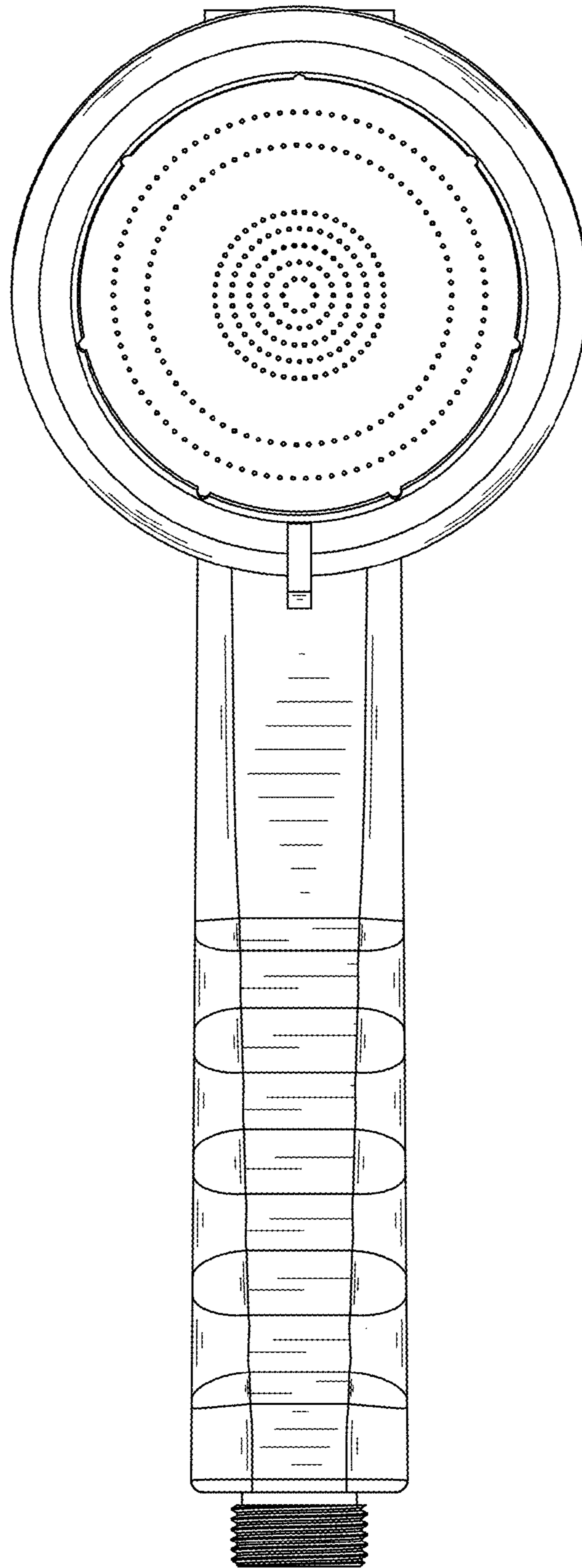


FIG. 10

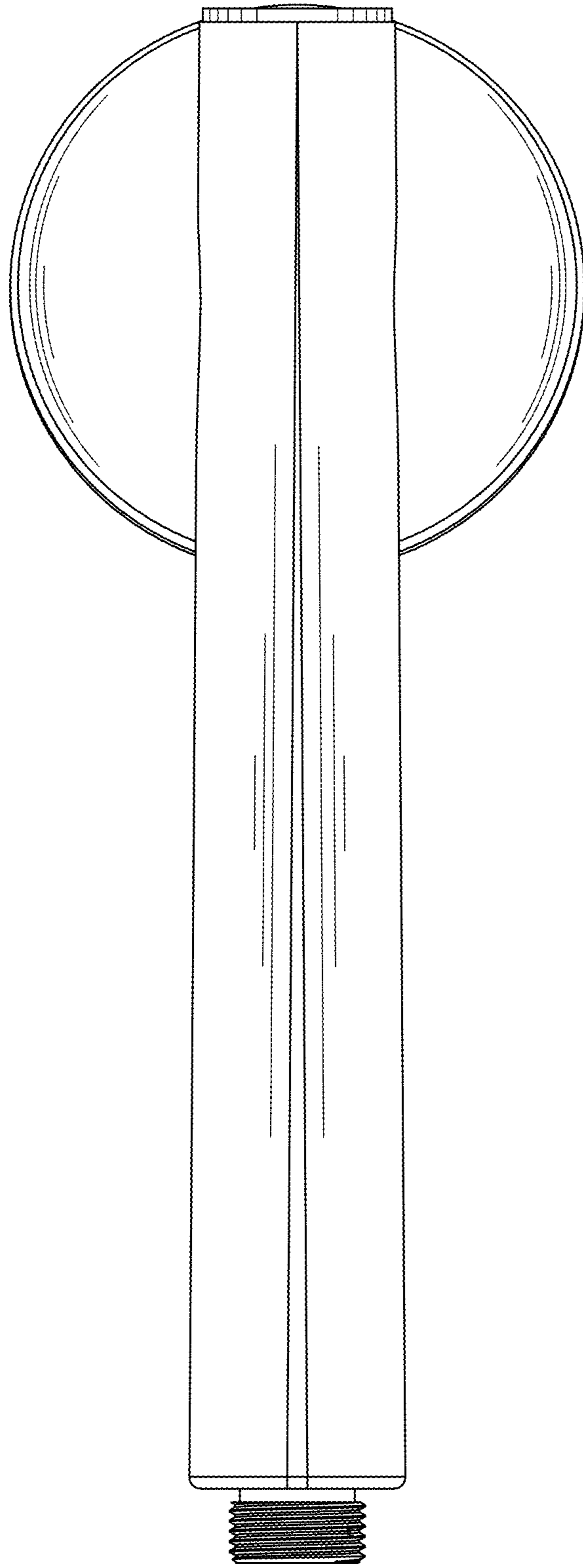


FIG. 11

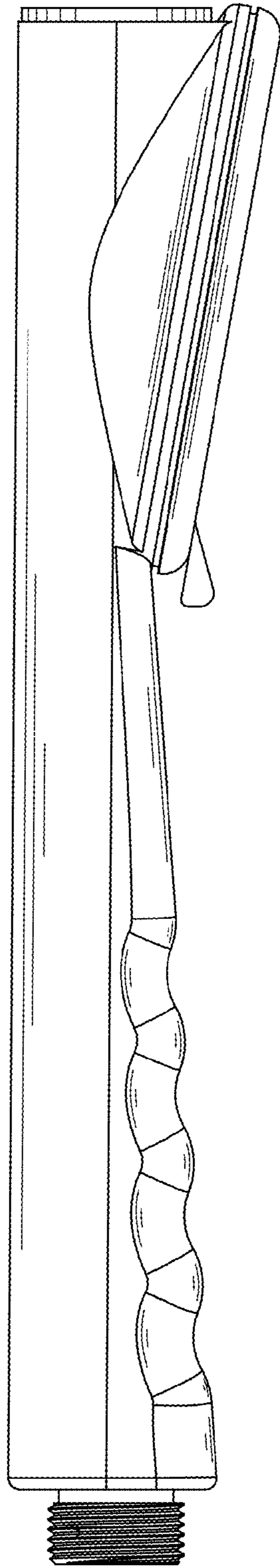


FIG. 12

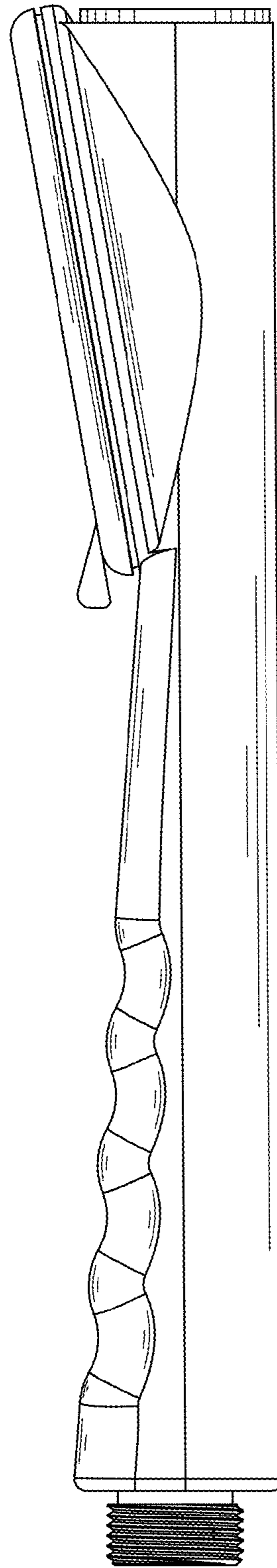


FIG. 13

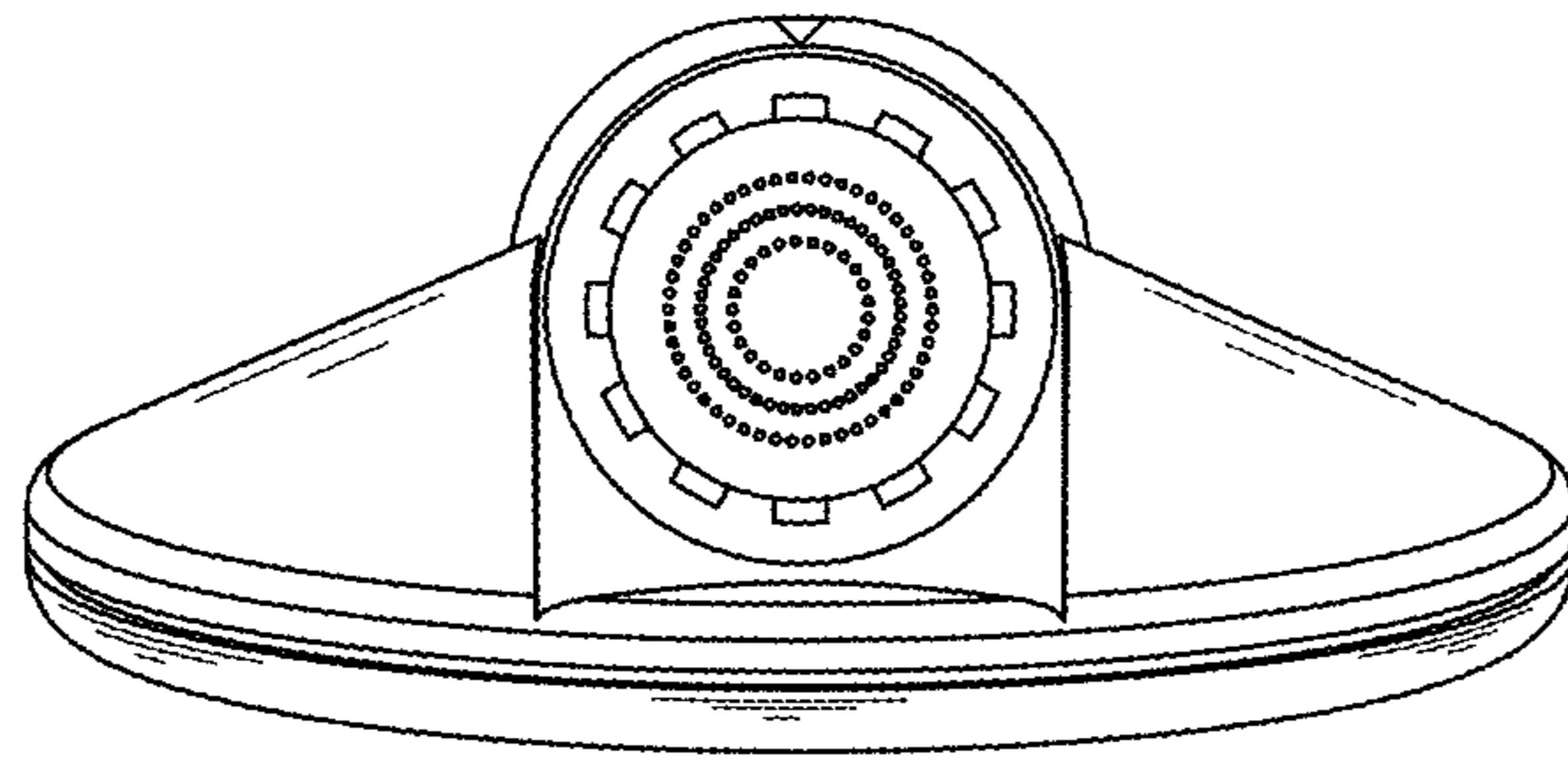


FIG. 14

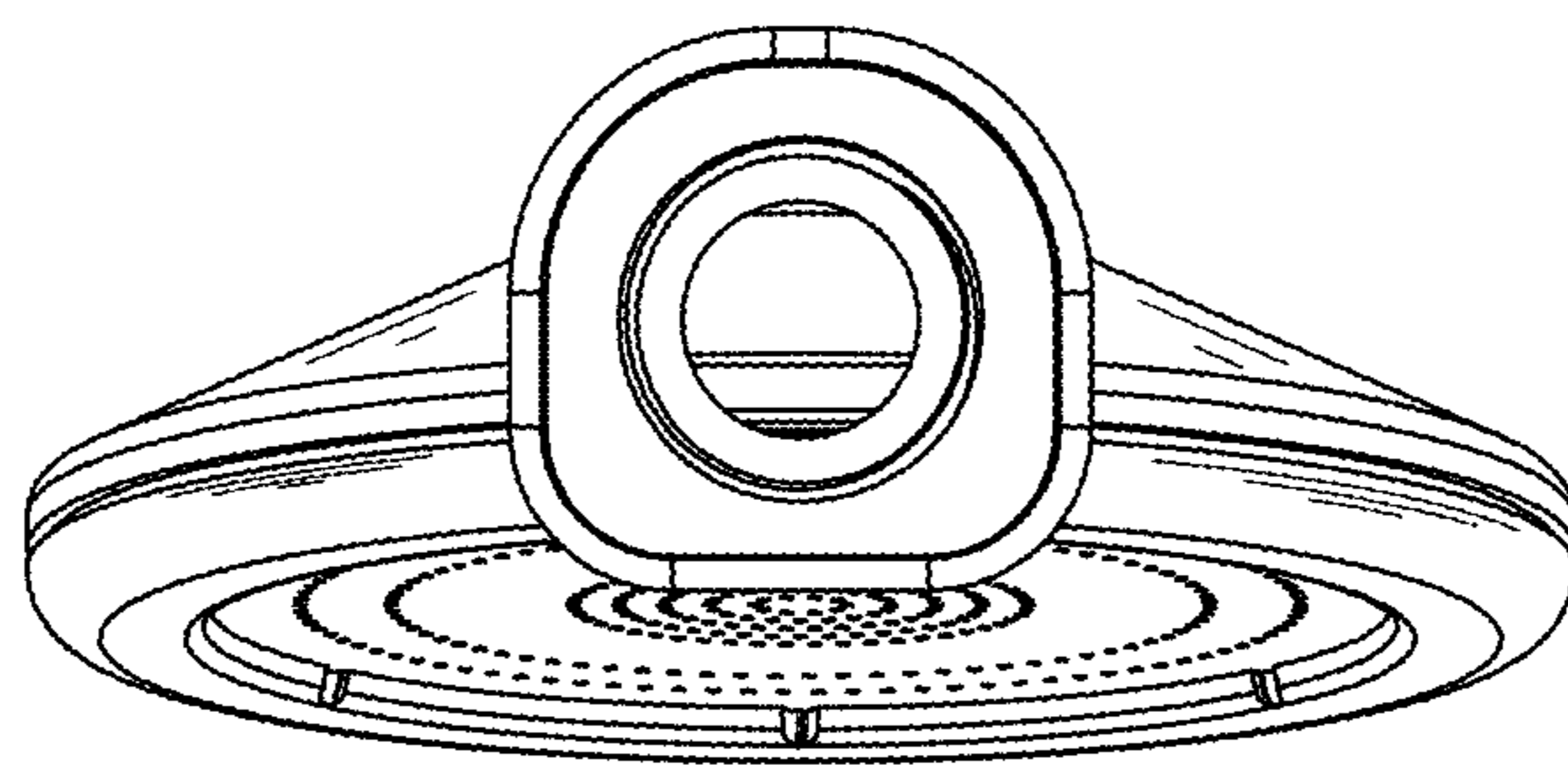


FIG. 15

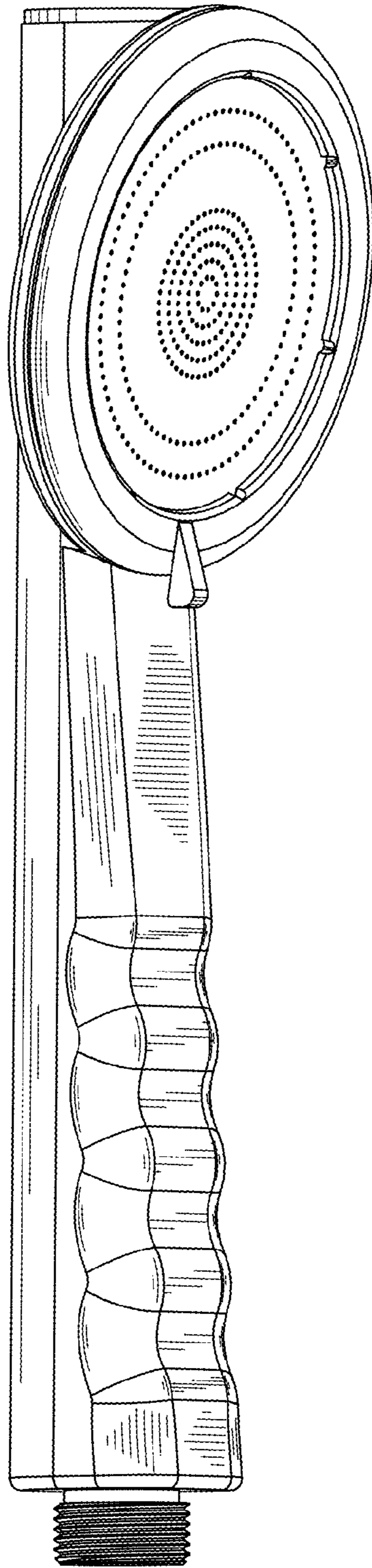


FIG. 16

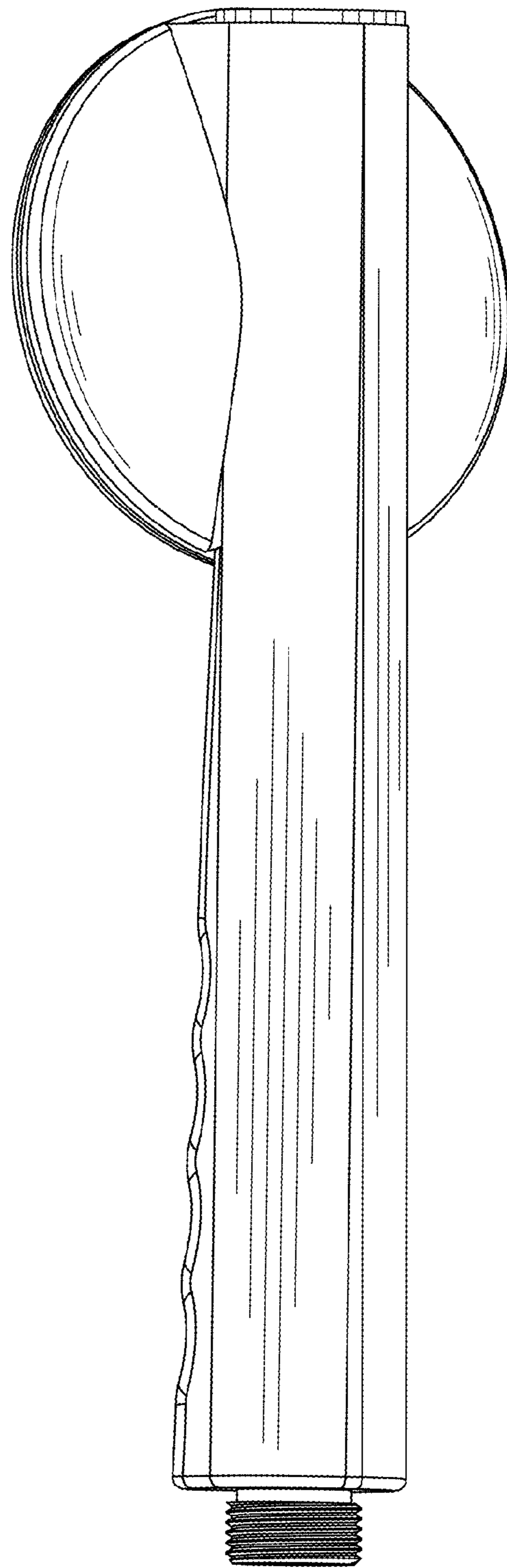


FIG. 17

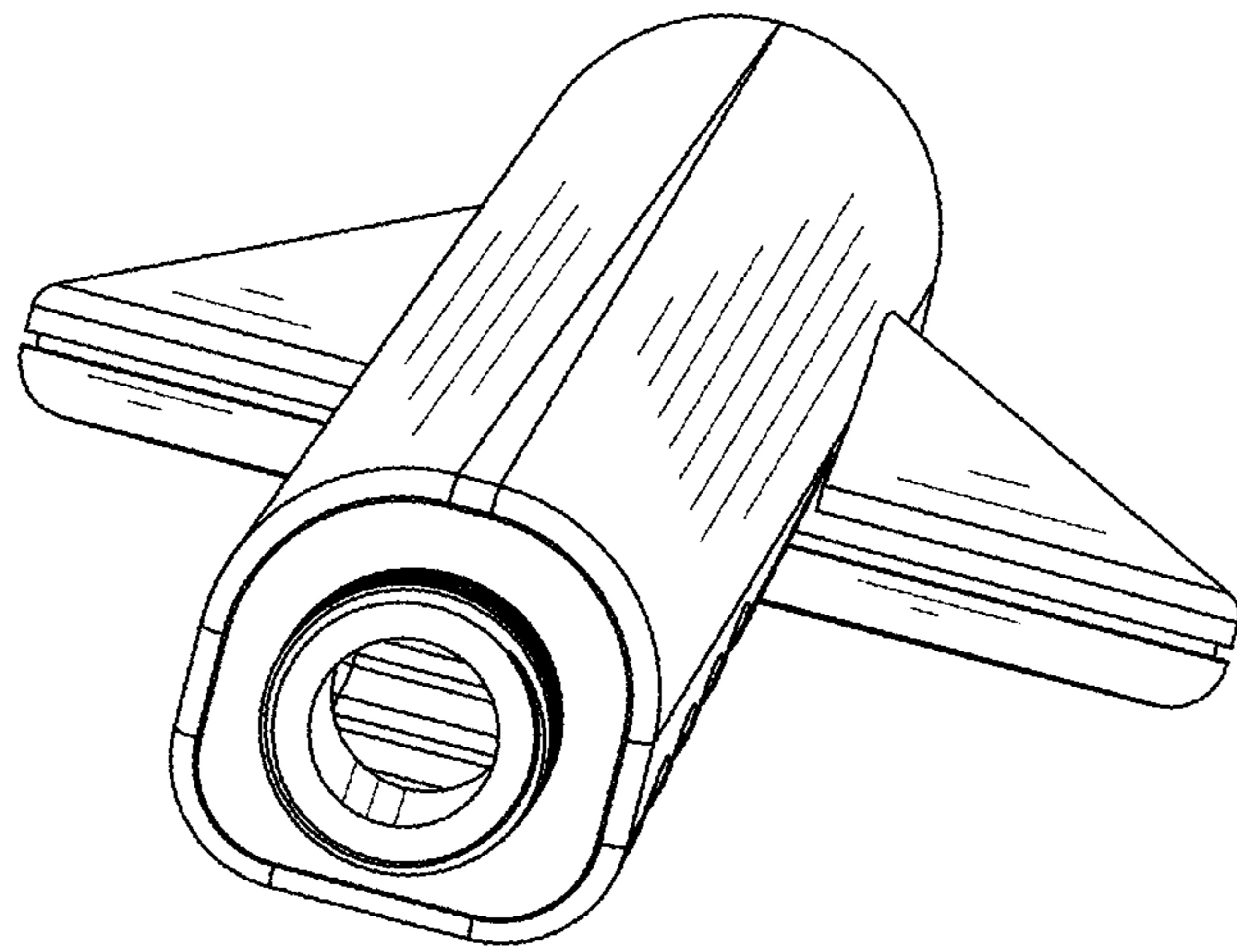


FIG. 18