



US00D722132S

(12) **United States Design Patent**
Foohy et al.

(10) **Patent No.:** **US D722,132 S**
(45) **Date of Patent:** **** Feb. 3, 2015**

(54) **FILTER**
(71) Applicant: **Pall Corporation**, Port Washington, NY (US)
(72) Inventors: **Mark William Foohy**, Austin, TX (US); **Steven Kent Brown**, Austin, TX (US); **Anthony William Gatica**, Cedar Park, TX (US); **Vincent Lam**, Austin, TX (US); **Jacob Peter Vanderheyden**, Saint Paul, MN (US); **Tatsuya Hoshino**, Ibaraki (JP)

7,021,667	B2	4/2006	Campbell et al.	
7,338,599	B2	3/2008	Hiranga et al.	
7,469,932	B2	12/2008	Niermeyer et al.	
8,069,991	B2	12/2011	Norris et al.	
8,343,344	B2 *	1/2013	Reyinger et al.	210/232
8,496,823	B2 *	7/2013	Cur et al.	210/232
8,561,810	B2 *	10/2013	Tsai	210/455
2004/0182777	A1	9/2004	Stankowski et al.	
2011/0211976	A1	9/2011	Magoon et al.	
2011/0247974	A1	10/2011	Gale et al.	
2013/0031926	A1	2/2013	Huda et al.	

(73) Assignee: **Pall Corporation**, Port Washington, NY (US)

(**) Term: **14 Years**

(21) Appl. No.: **29/471,393**

(22) Filed: **Oct. 31, 2013**

(51) **LOC (10) Cl.** **23-01**

(52) **U.S. Cl.**
USPC **D23/209**

(58) **Field of Classification Search**
CPC . B01D 35/30; B01D 35/306; B01D 2201/307
USPC D23/207-209; 210/335, 338, 435, 440, 210/443, 450, 232
See application file for complete search history.

(56) **References Cited**

U.S. PATENT DOCUMENTS

5,925,245	A	7/1999	Bradford et al.	
6,120,685	A *	9/2000	Carlson et al.	210/232
D455,194	S *	4/2002	Kurth et al.	D23/209
D456,486	S *	4/2002	Kurth et al.	D23/209
D513,304	S	12/2005	Suzuki	

FOREIGN PATENT DOCUMENTS

WO WO 2007/012079 A2 1/2007

* cited by examiner

Primary Examiner — Robin V Webster

(74) *Attorney, Agent, or Firm* — Leydig, Voit & Mayer

(57) **CLAIM**

The ornamental design for a filter, as shown and described.

DESCRIPTION

FIG. 1 is a top perspective view of a filter of the present invention showing, inter alia, a rear portion of the filter.

FIG. 2 is a top perspective view of the filter of FIG. 1 showing, inter alia, a front portion of the filter.

FIG. 3 is a rear view of the filter of FIG. 1.

FIG. 4 is a right side view of the filter of FIG. 1.

FIG. 5 is a front view of the filter of FIG. 1.

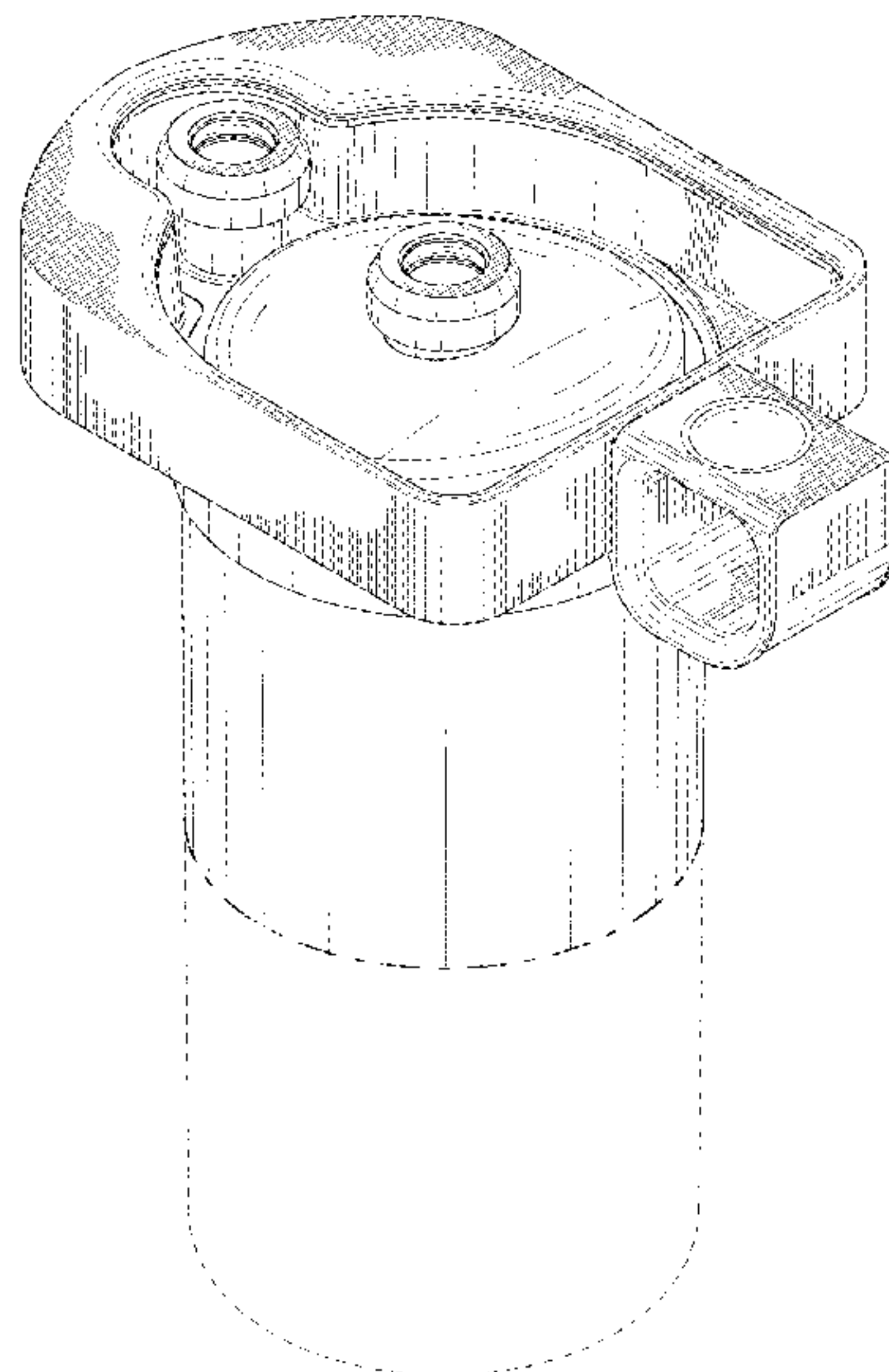
FIG. 6 is a left side view of the filter of FIG. 1.

FIG. 7 is a top view of the filter of FIG. 1; and,

FIG. 8 is a bottom view of the filter of FIG. 1.

The broken lines in the drawings are for illustrative purposes only and do not form part of the claimed design.

1 Claim, 7 Drawing Sheets



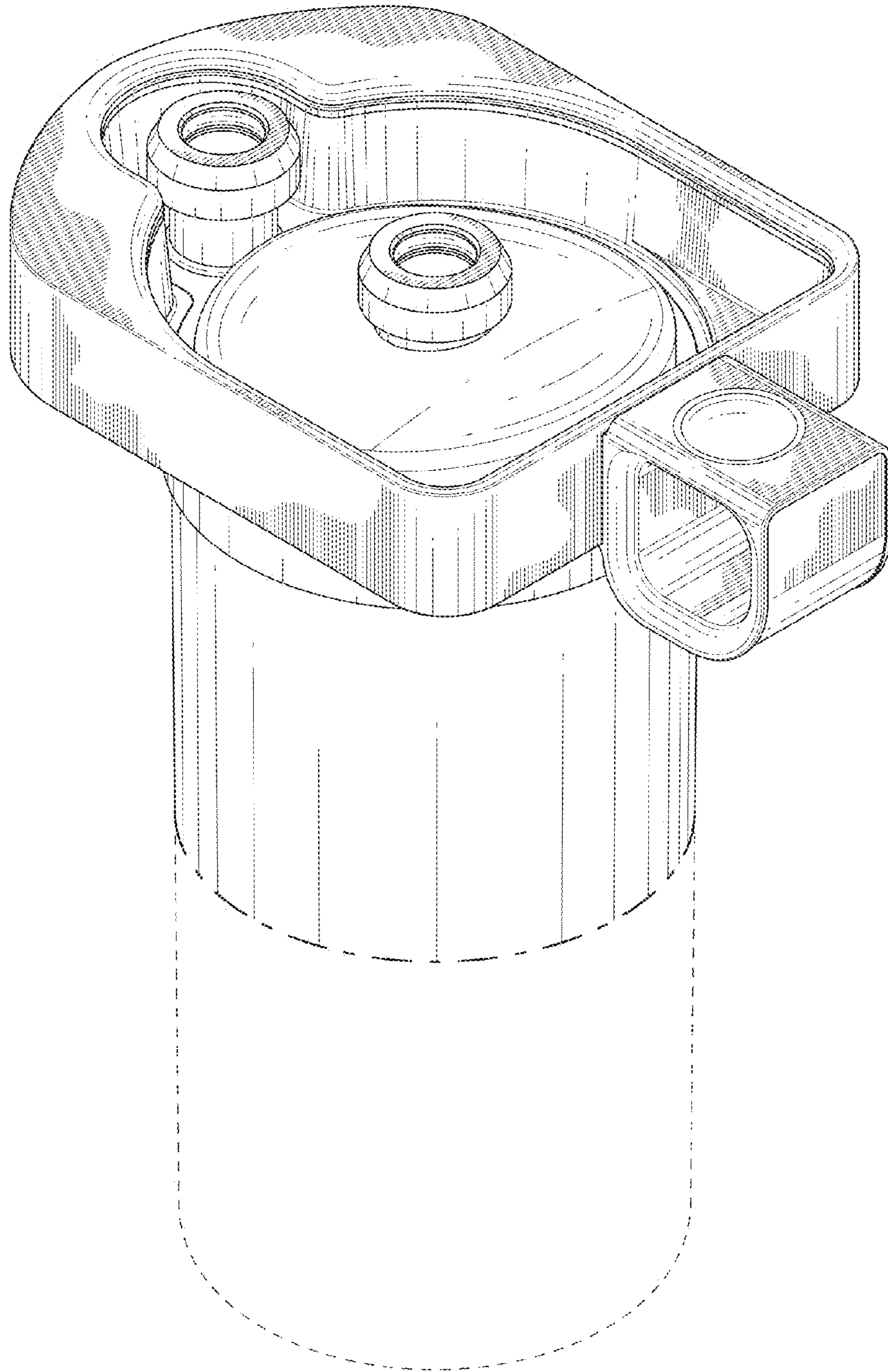


FIG. 1

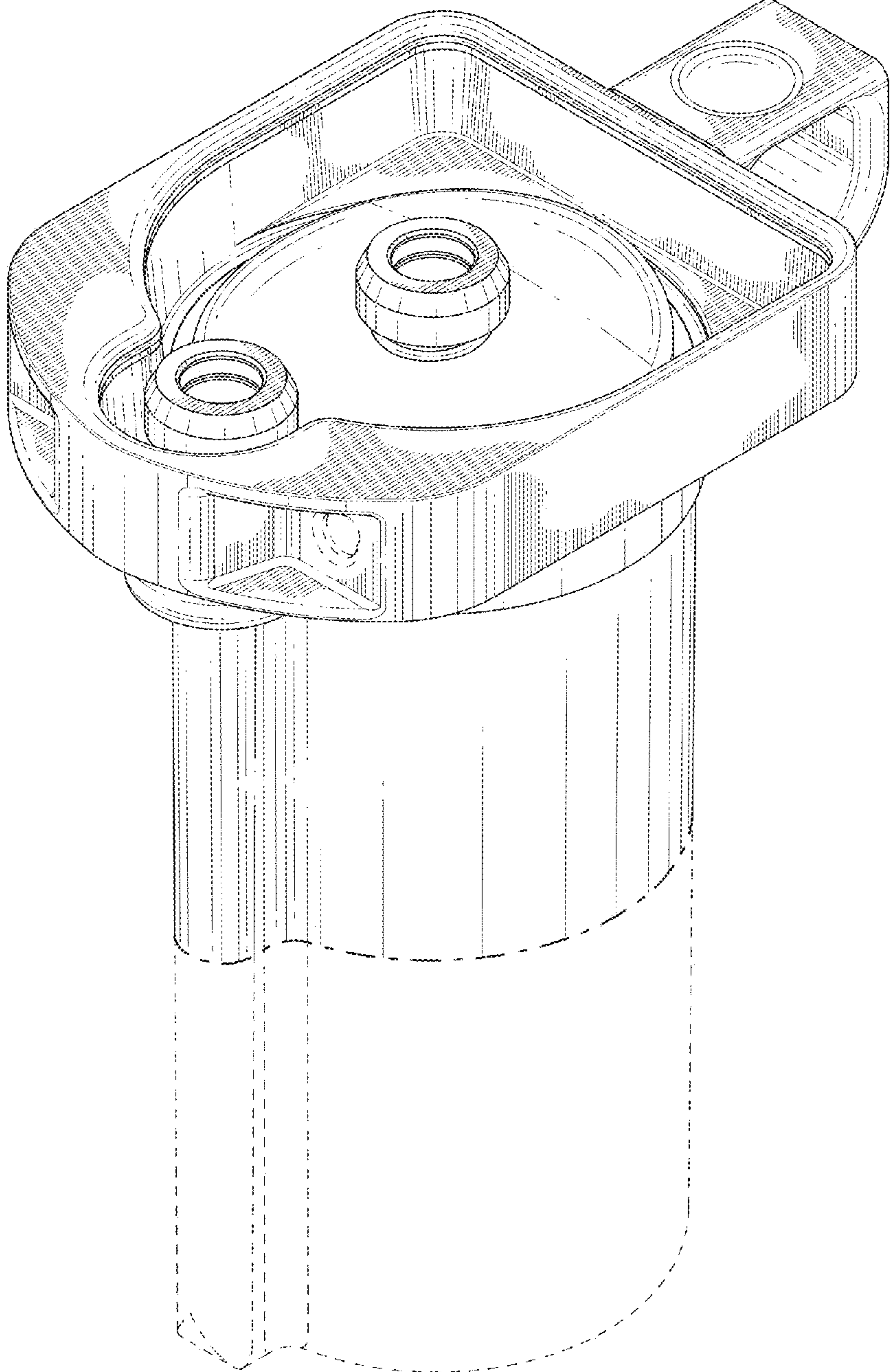


FIG. 2

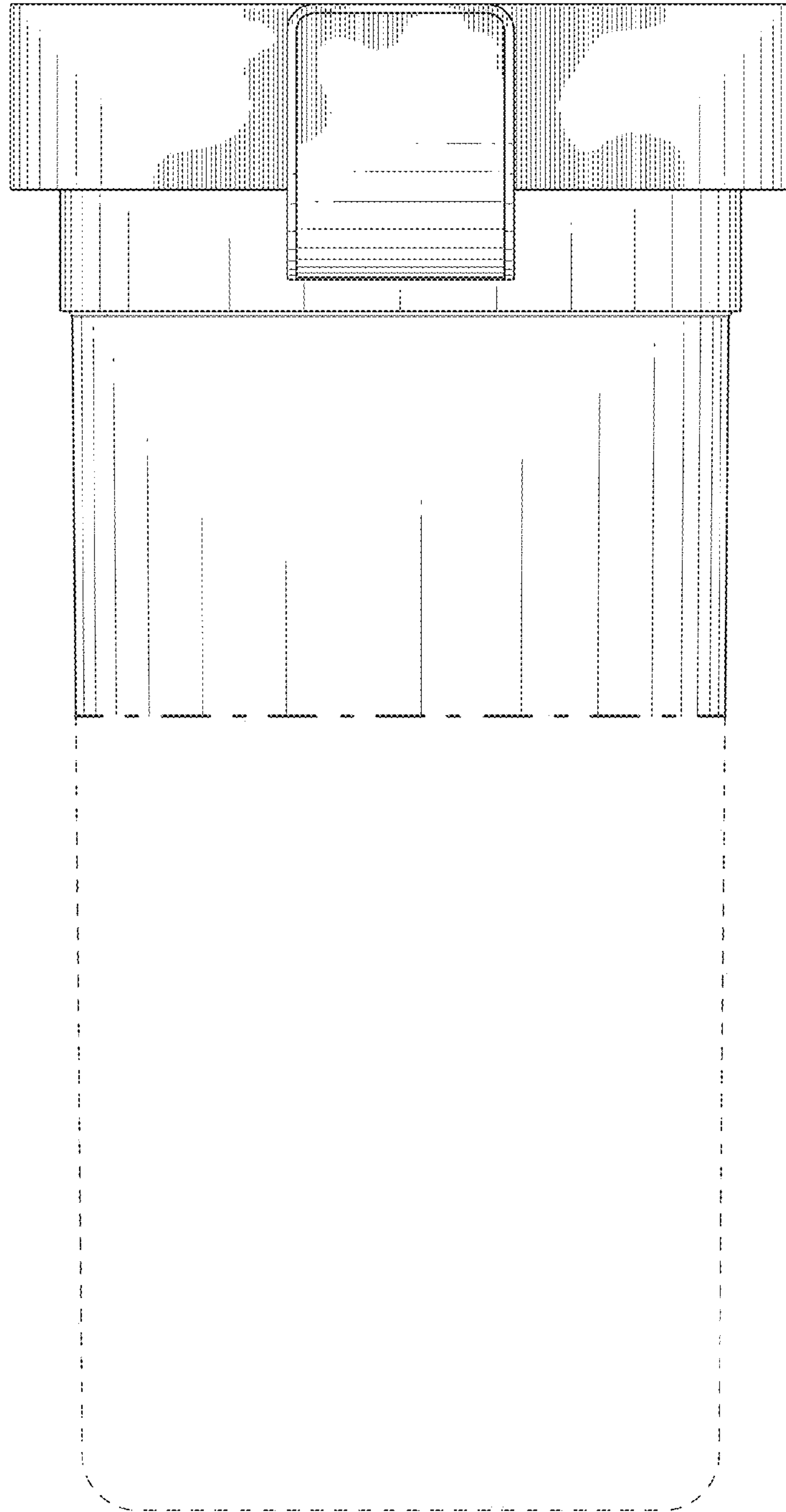


FIG. 3

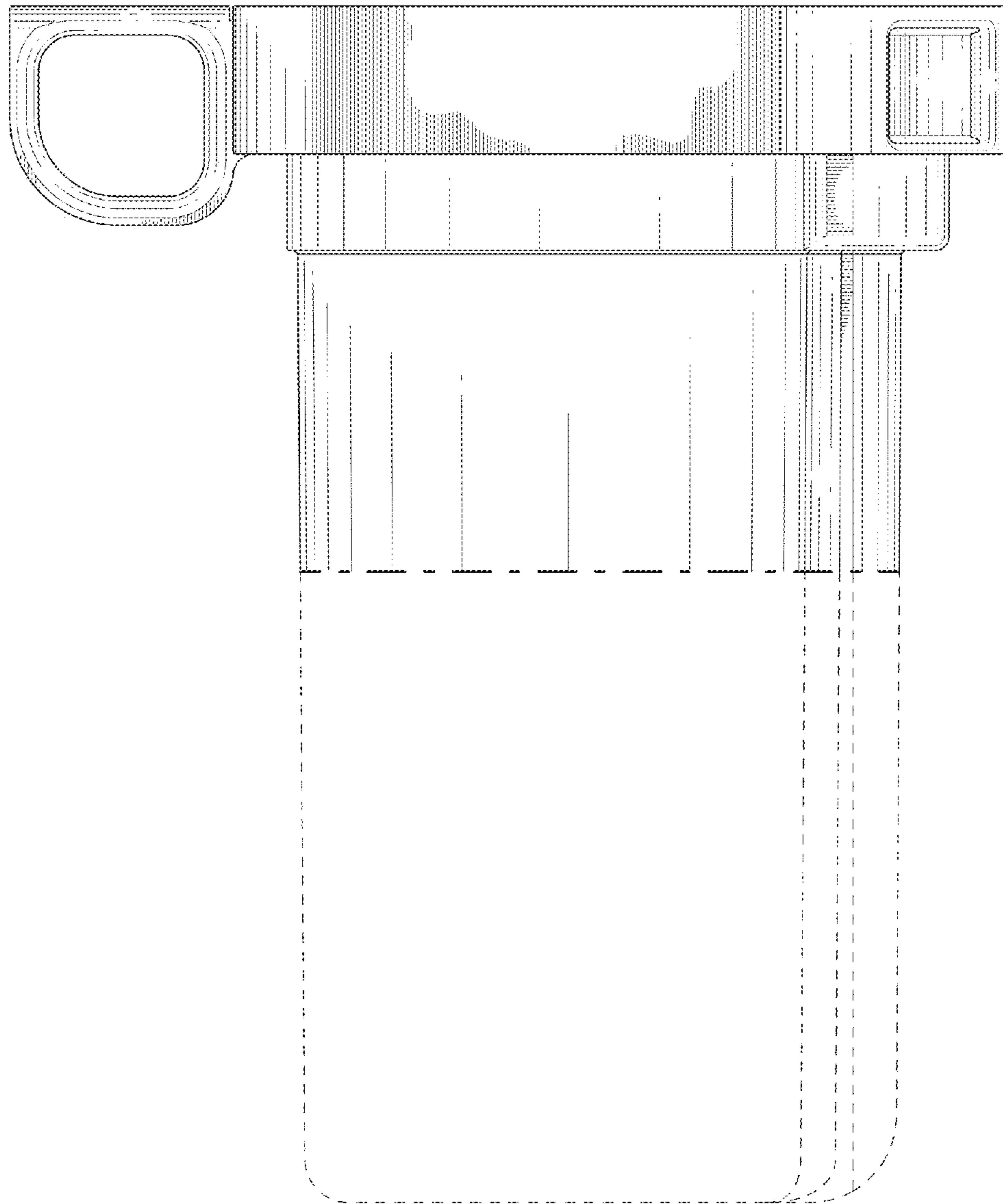


FIG. 4

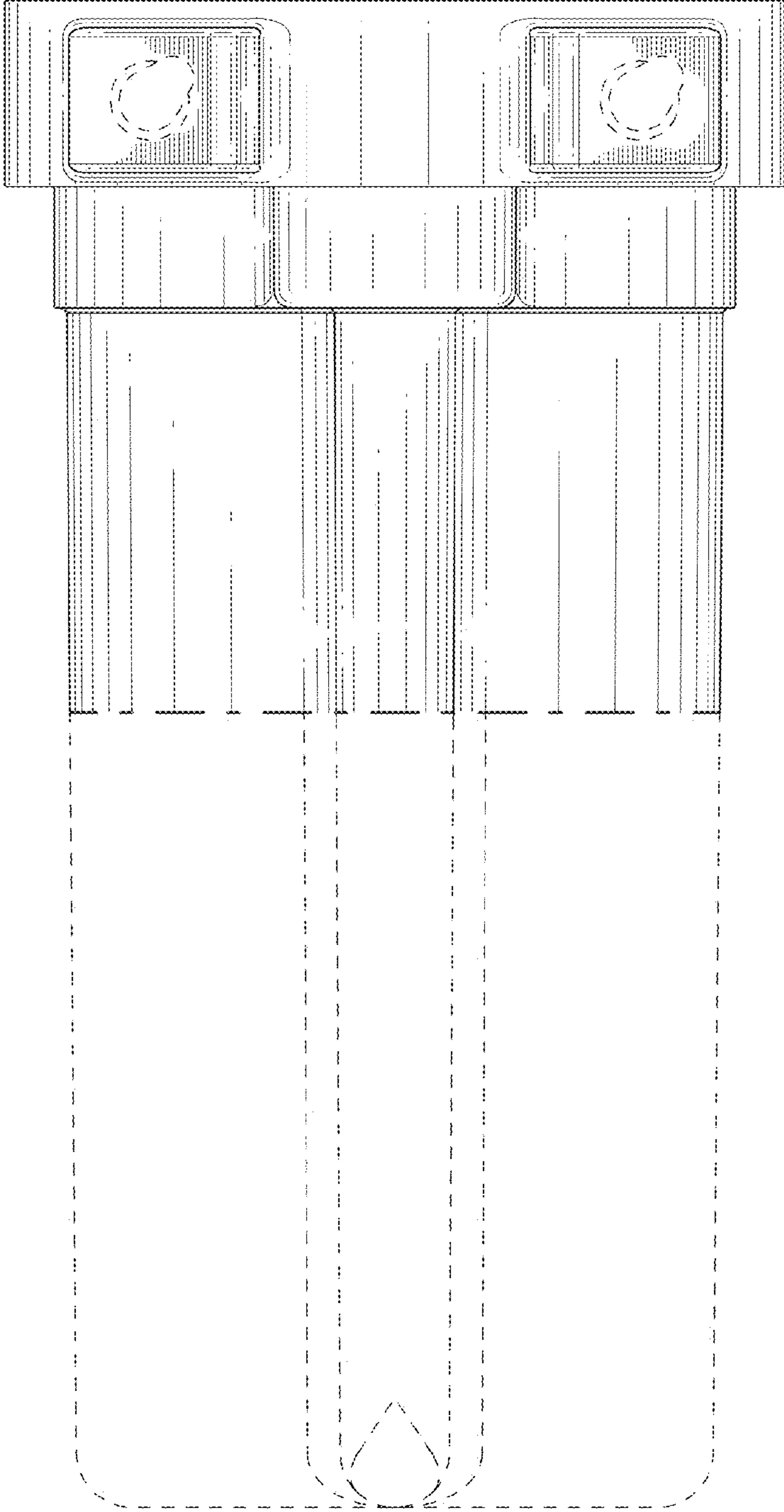


FIG. 5

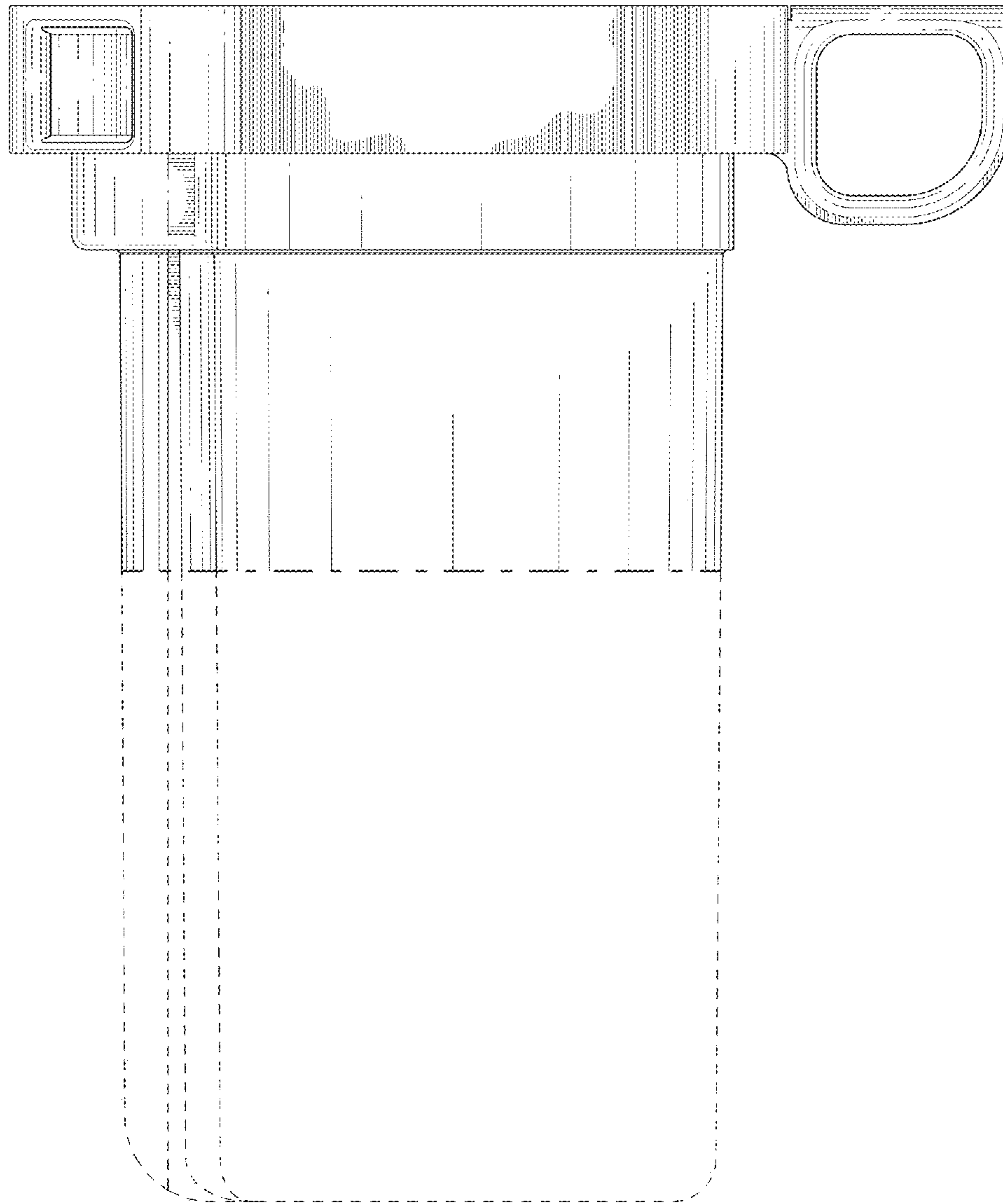


FIG. 6

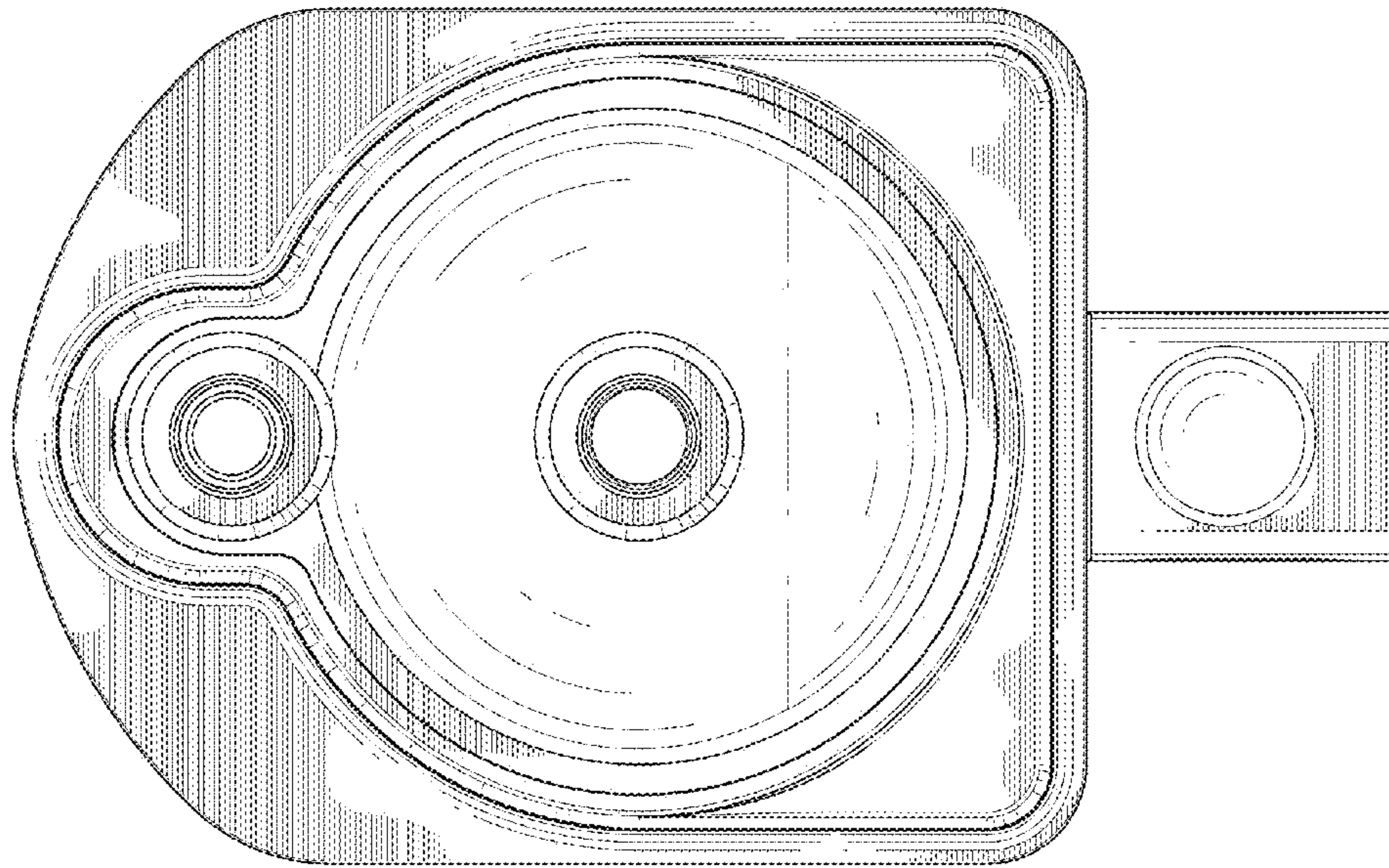


FIG. 7

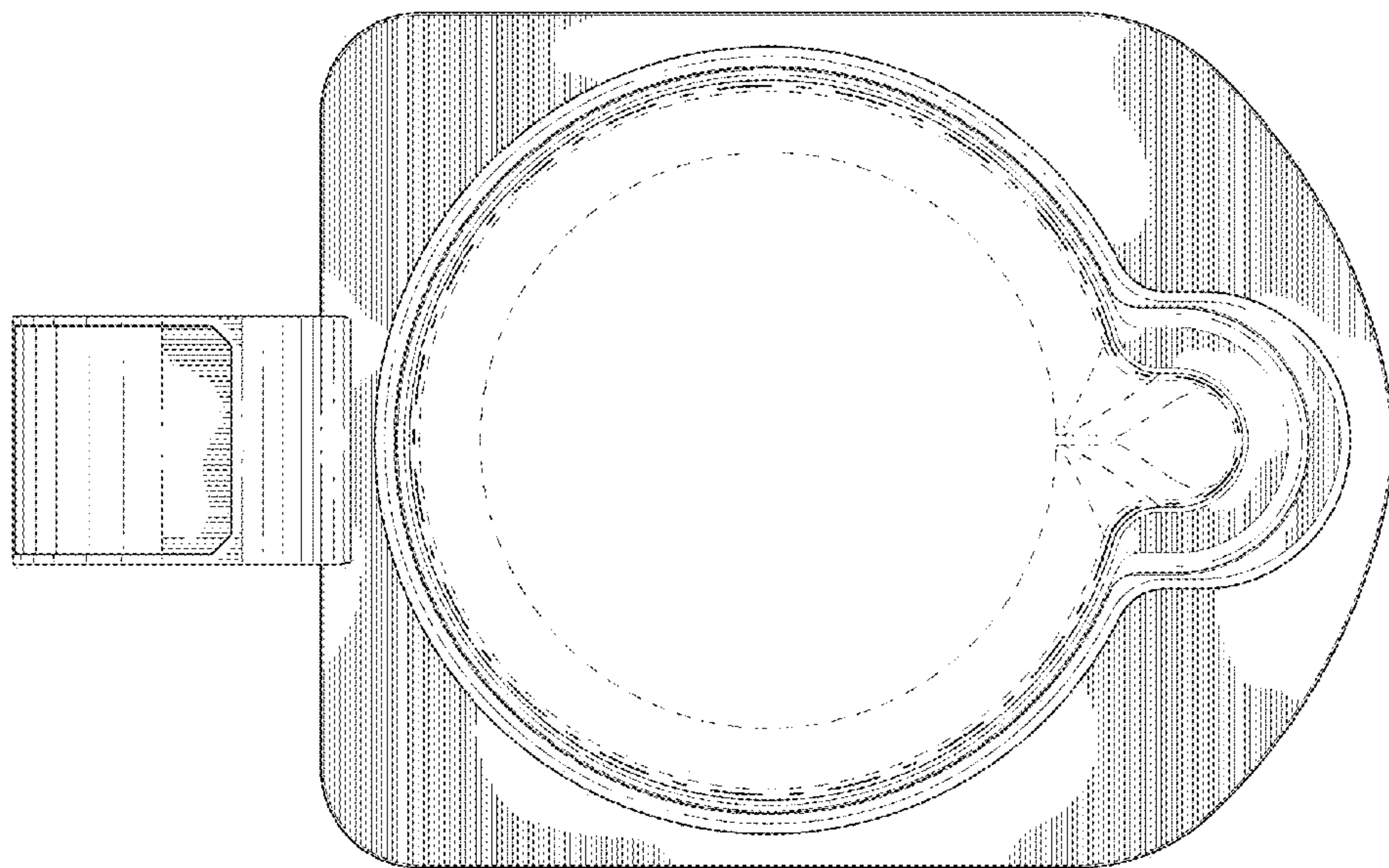


FIG. 8