



US00D722129S

(12) **United States Design Patent**  
**Farris**

(10) **Patent No.:** **US D722,129 S**  
(45) **Date of Patent:** **\*\* Feb. 3, 2015**

- (54) **DUAL FISHING LURE**
- (71) Applicant: **Steven Farris**, Kansas City, MO (US)
- (72) Inventor: **Steven Farris**, Kansas City, MO (US)
- (\*\*) Term: **14 Years**
- (21) Appl. No.: **29/489,115**
- (22) Filed: **Apr. 25, 2014**

3,494,063	A	*	2/1970	Treaster	.....	43/42.31
D249,537	S	*	9/1978	Parker	.....	D22/129
D257,382	S	*	10/1980	Williams, Jr.	.....	D22/129
4,930,247	A	*	6/1990	Dubois	.....	43/42.31
D580,512	S	*	11/2008	Mehsikomer	.....	D22/129
D583,009	S	*	12/2008	Burnam	.....	D22/129
D680,614	S	*	4/2013	Dages	.....	D22/129
D703,786	S	*	4/2014	Westin	.....	D22/129

\* cited by examiner

*Primary Examiner* — Catheri Oliver-Garcia  
(74) *Attorney, Agent, or Firm* — QuickPatents; Kevin Prince

**Related U.S. Application Data**

- (62) Division of application No. 29/455,603, filed on May 22, 2013, now Pat. No. Des. 711,498.
- (51) **LOC (10) Cl.** ..... **22-05**
- (52) **U.S. Cl.**  
USPC ..... **D22/129**
- (58) **Field of Classification Search**  
USPC ..... D22/126-133; 43/42.13, 42.74, 42.4, 43/44.84, 42.43, 43.15, 42.11, 44.82, 43/42.26; D11/206-209  
See application file for complete search history.

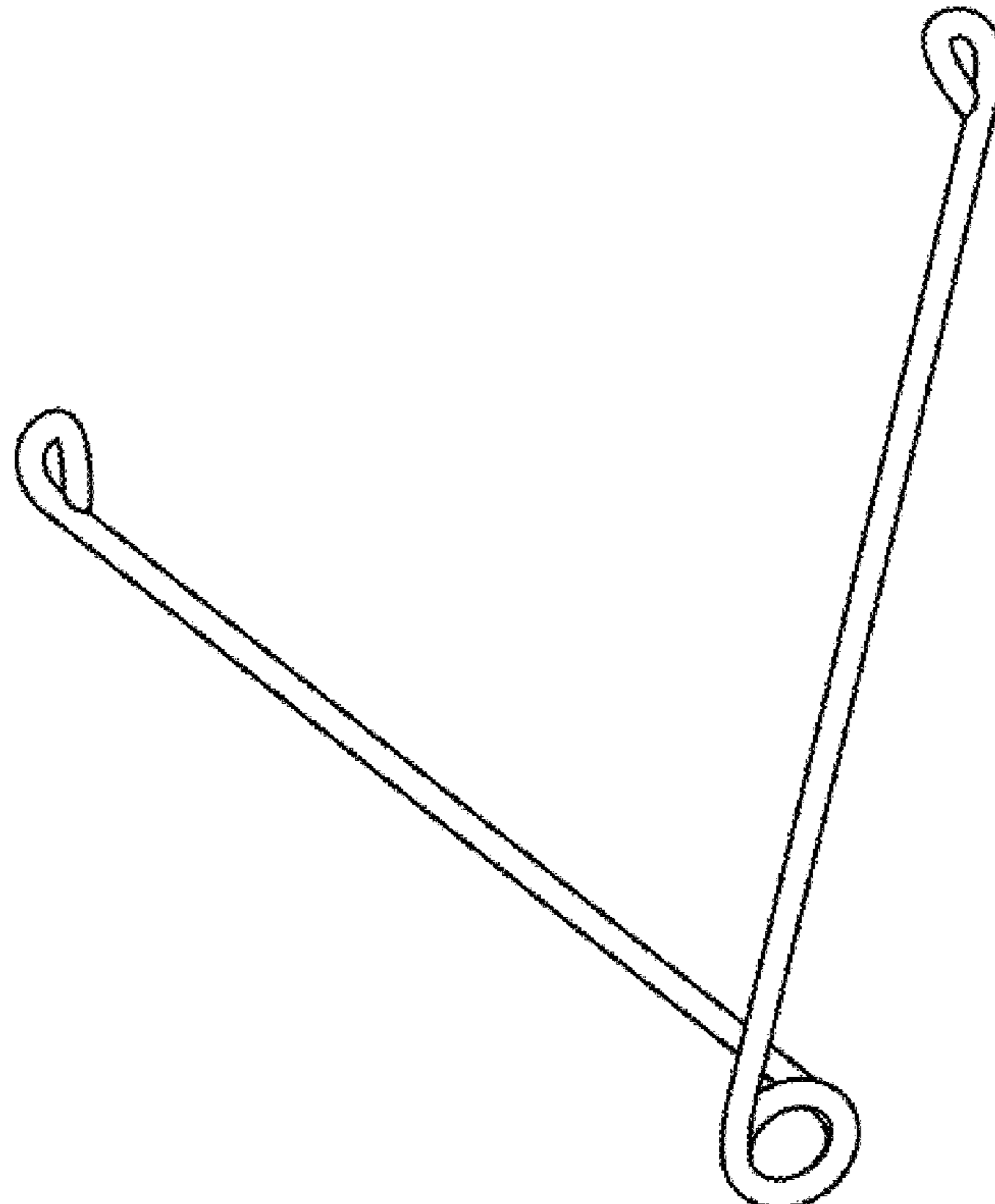
(57) **CLAIM**  
I claim the ornamental design for a dual fishing lure, as shown and described.

**DESCRIPTION**

FIG. 1 is a perspective view of a dual fishing lure, showing my new design;  
FIG. 2 is a top plan view thereof, the bottom plan view being a mirror image thereof;  
FIG. 3 is a left-side elevational view thereof, the right side elevational view being a mirror image thereof;  
FIG. 4 is a rear elevational view thereof; and,  
FIG. 5 is a front elevational view thereof.

- (56) **References Cited**  
U.S. PATENT DOCUMENTS  
D214,259 S \* 5/1969 Drake ..... D11/206  
D214,898 S \* 8/1969 Turberville et al. .... D22/128

**1 Claim, 1 Drawing Sheet**



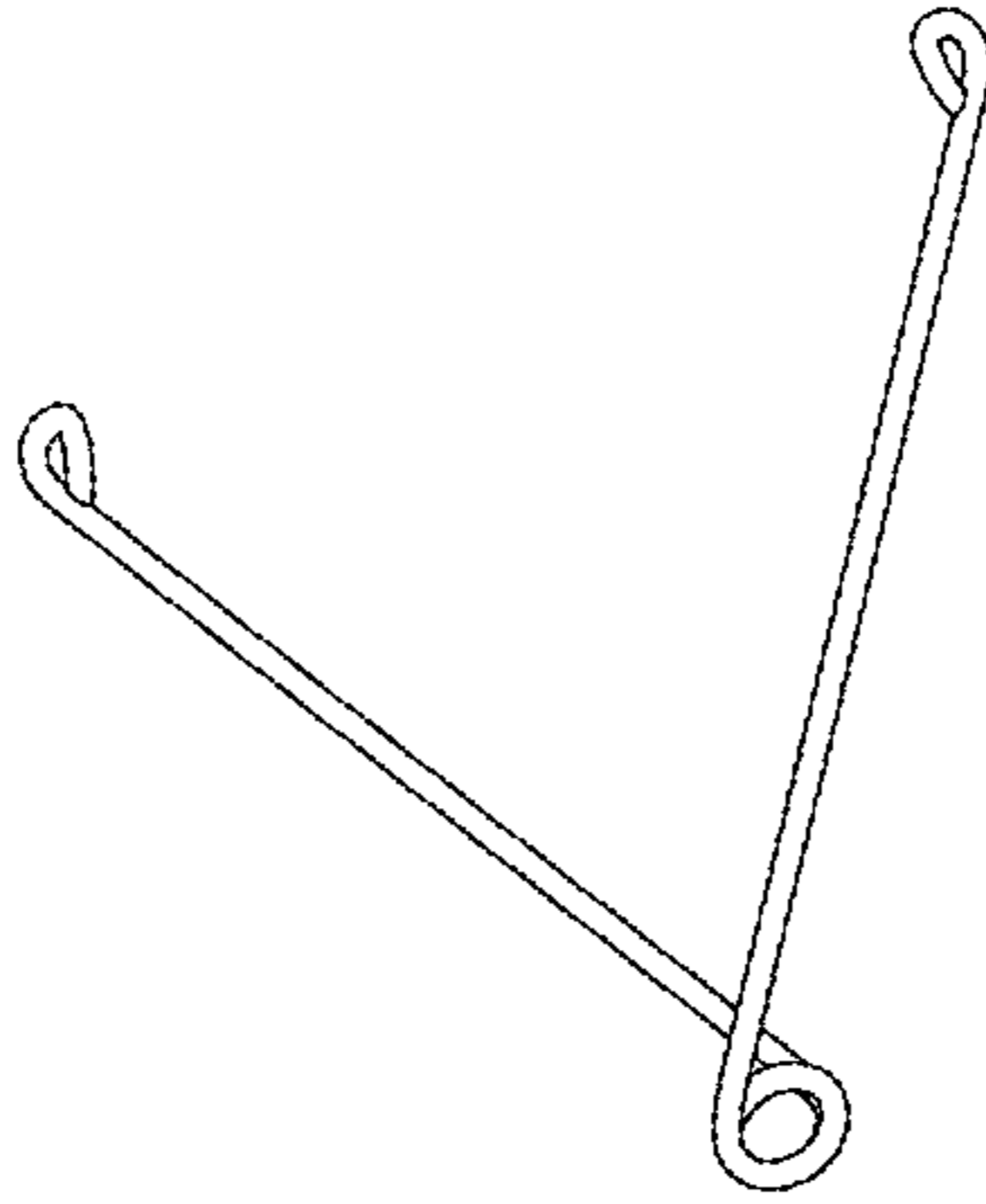


FIG. 1

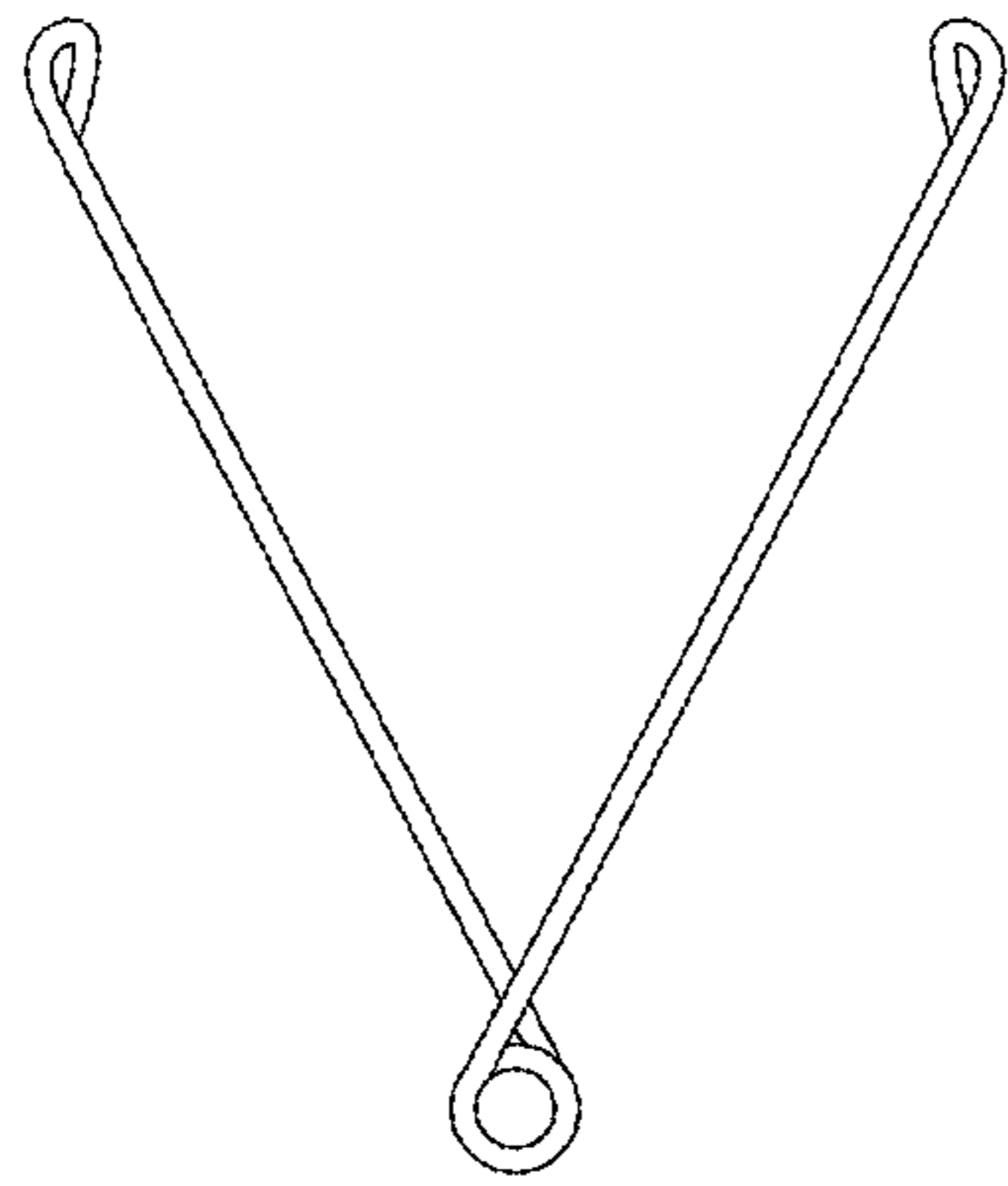


FIG. 2

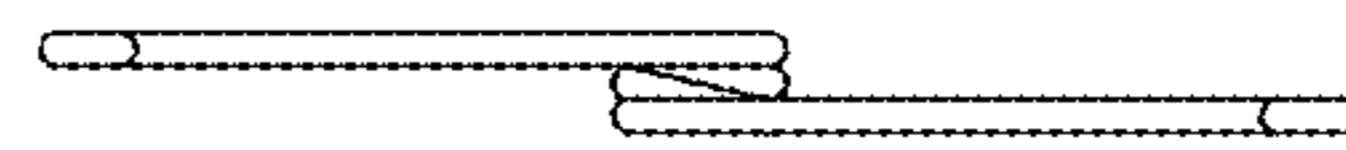


FIG. 4

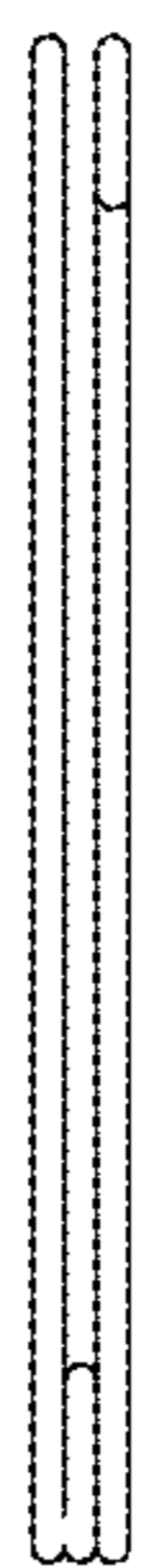


FIG. 3



FIG. 5