



US00D722128S

(12) **United States Design Patent**
Wang et al.

(10) **Patent No.:** **US D722,128 S**

(45) **Date of Patent:** **** Feb. 3, 2015**

(54) **ANT BAIT STATION**

(71) Applicants: **Roger H. Wang**, Orange, CA (US);
Victor S. Wang, Fullerton, CA (US)

(72) Inventors: **Roger H. Wang**, Orange, CA (US);
Victor S. Wang, Fullerton, CA (US)

(**) Term: **14 Years**

(21) Appl. No.: **29/478,937**

(22) Filed: **Jan. 9, 2014**

(51) **LOC (10) Cl.** **22-06**

(52) **U.S. Cl.**
USPC **D22/122**

(58) **Field of Classification Search**
USPC D22/119–125; 43/58, 60, 107,
43/112–113, 124, 131, 132.1
See application file for complete search history.

(56) **References Cited**

U.S. PATENT DOCUMENTS

D374,703	S *	10/1996	Dickson et al.	D22/122
D425,961	S *	5/2000	Kemmis	D22/122
6,216,384	B1 *	4/2001	Dickson et al.	43/131
6,651,378	B2 *	11/2003	Baker	43/131
6,789,352	B2 *	9/2004	Price et al.	43/131
D515,175	S *	2/2006	Mayo et al.	D22/122
7,165,353	B2 *	1/2007	Matts et al.	43/131
D544,064	S *	6/2007	Kerl et al.	D22/122
7,310,908	B2 *	12/2007	Bernard et al.	43/131
D577,413	S *	9/2008	Long	D22/122

D686,689	S *	7/2013	Bernard	D22/122
D694,849	S *	12/2013	Ots	D22/122
D712,503	S *	9/2014	Aiston	D22/122

* cited by examiner

Primary Examiner — Catheri Oliver-Garcia

(74) *Attorney, Agent, or Firm* — QuickPatents; Kevin Prince

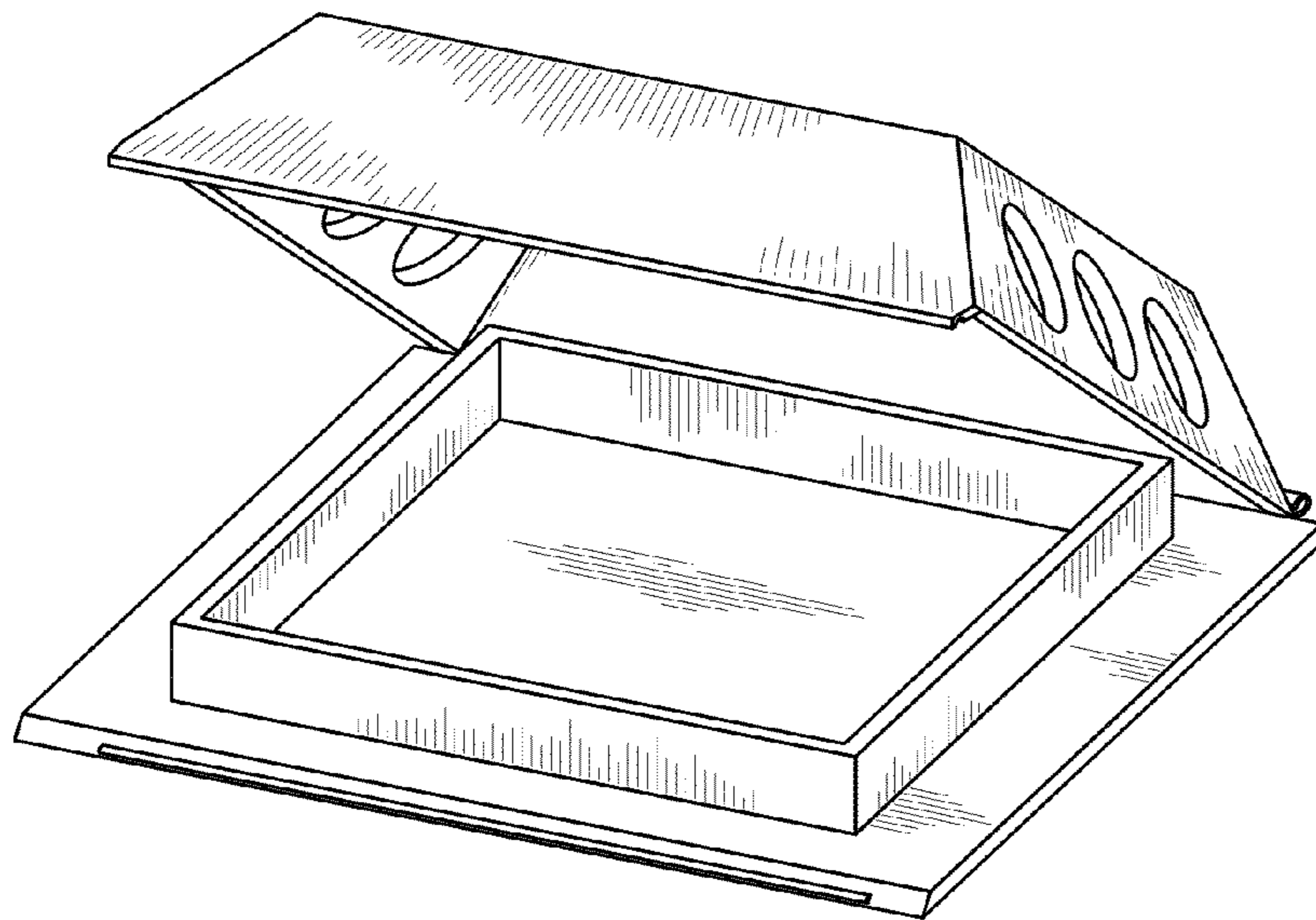
(57) **CLAIM**

We claim the ornamental design for an ant bait station, as shown and described.

DESCRIPTION

FIG. 1 is a perspective view of an ant bait station, showing a first embodiment of our new design in an open position; FIG. 2 is a perspective view of FIG. 1 in a closed position; FIG. 3 is a right-side elevational view of FIG. 2; FIG. 4 is a front elevational view of FIG. 2; FIG. 5 is a rear elevational view of FIG. 2; FIG. 6 is a front elevational view of FIG. 2; FIG. 7 is a top plan view of FIG. 2; FIG. 8 is a bottom plan view of FIG. 2; FIG. 9 is a perspective view of a second embodiment thereof in the open position; FIG. 10 is a perspective view of the second embodiment in the closed position; FIG. 11 is a right-side elevational view of FIG. 10; FIG. 12 is a left-side elevational view of FIG. 10; FIG. 13 is a rear elevational view of FIG. 10; FIG. 14 is a front elevational view of FIG. 10; FIG. 15 is a top plan view of FIG. 10; and, FIG. 16 is a bottom plan view of FIG. 10.

1 Claim, 4 Drawing Sheets



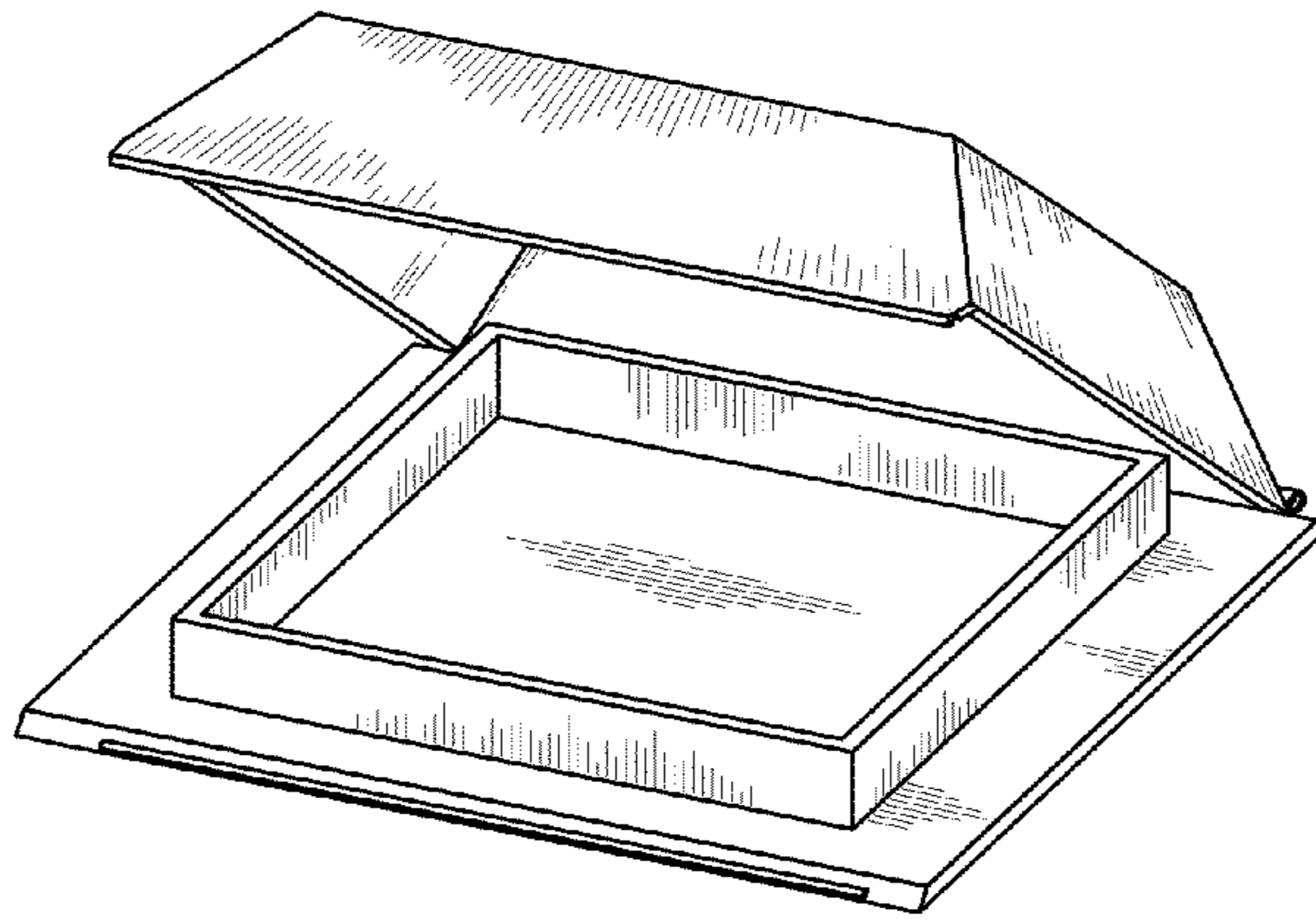


FIG. 1

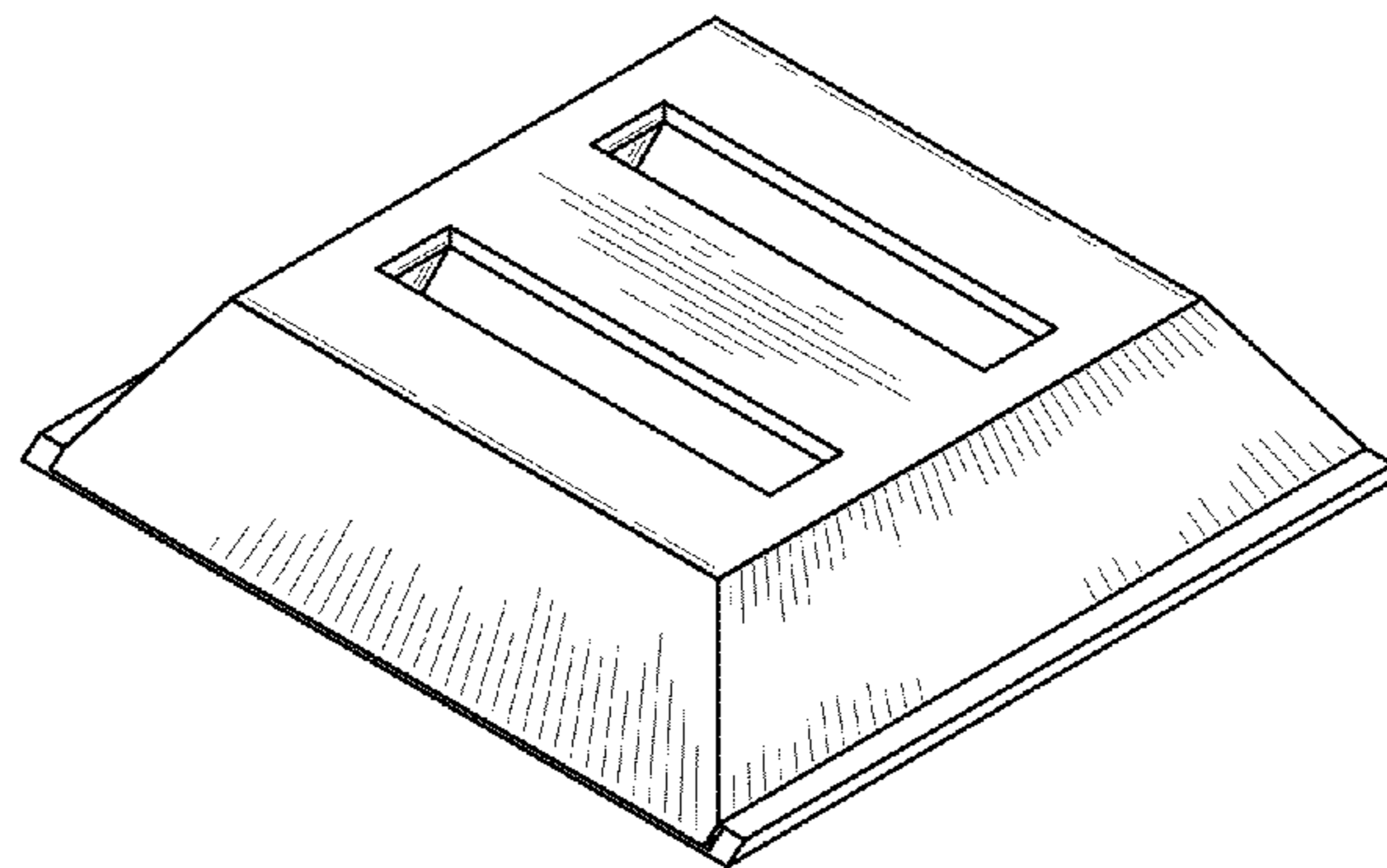


FIG. 2

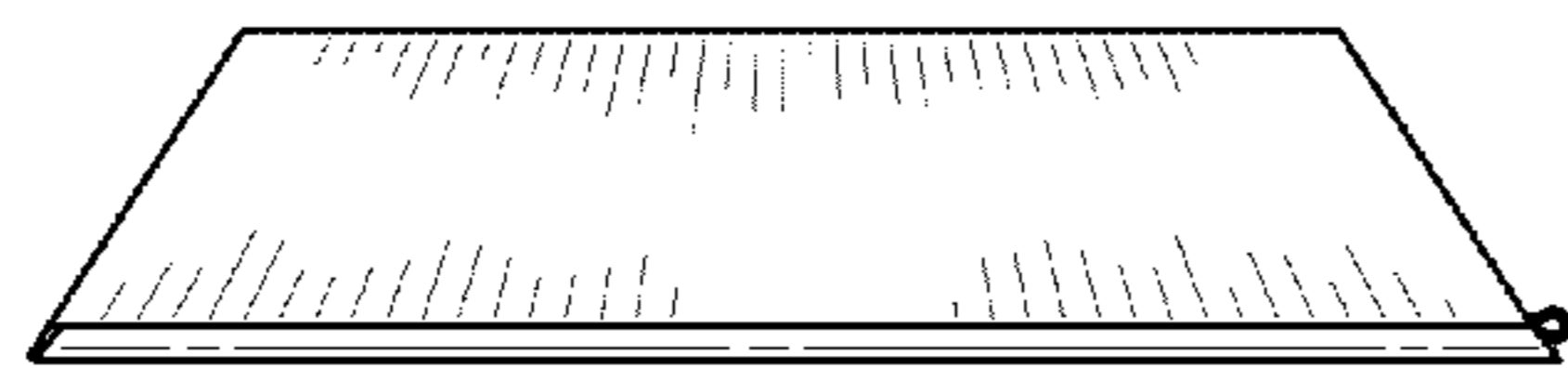


FIG. 3

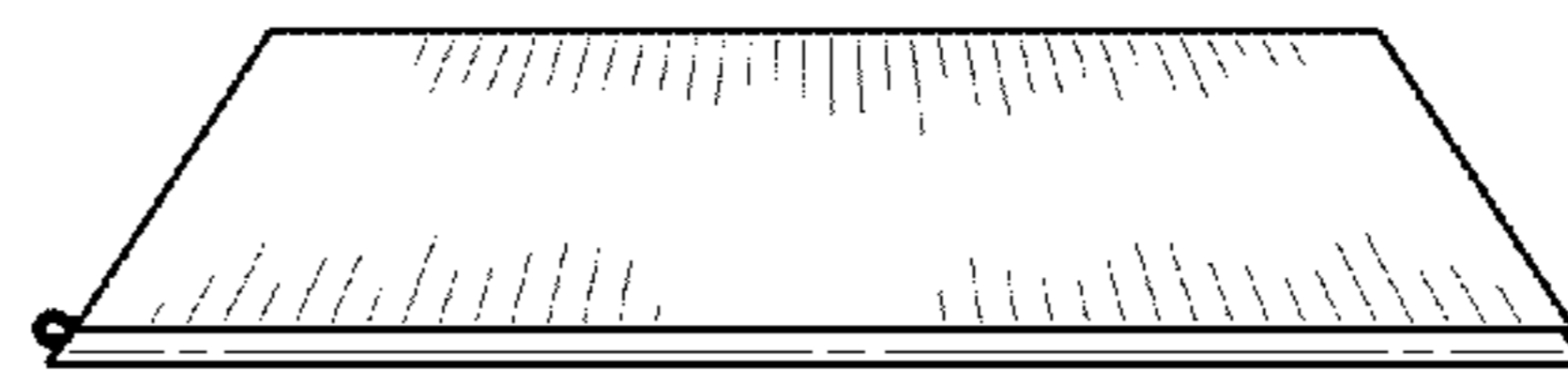


FIG. 4

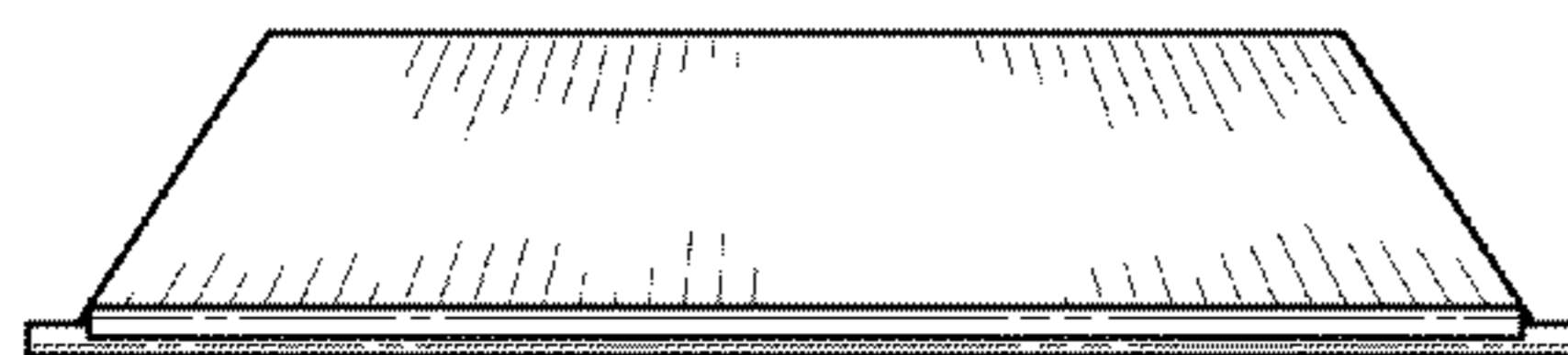


FIG. 5

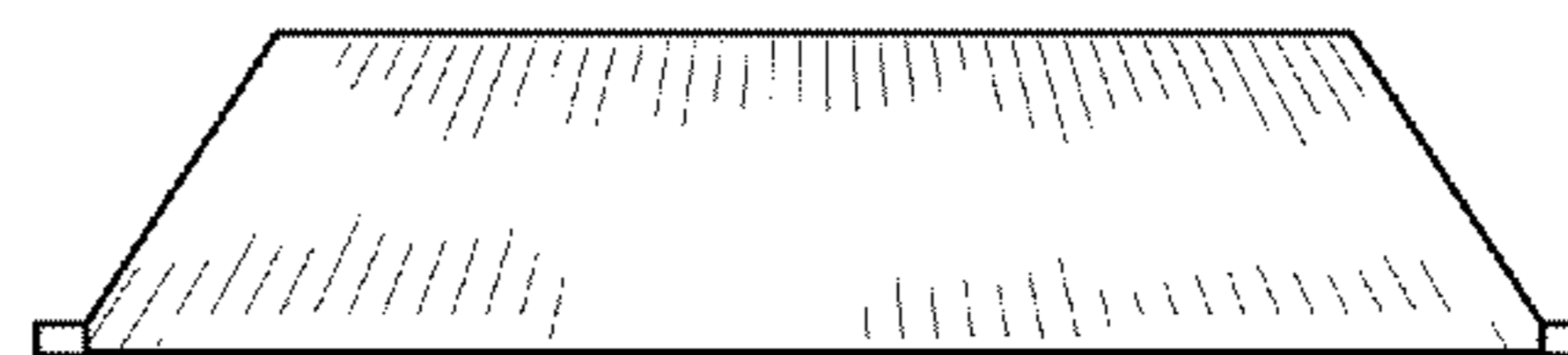


FIG. 6

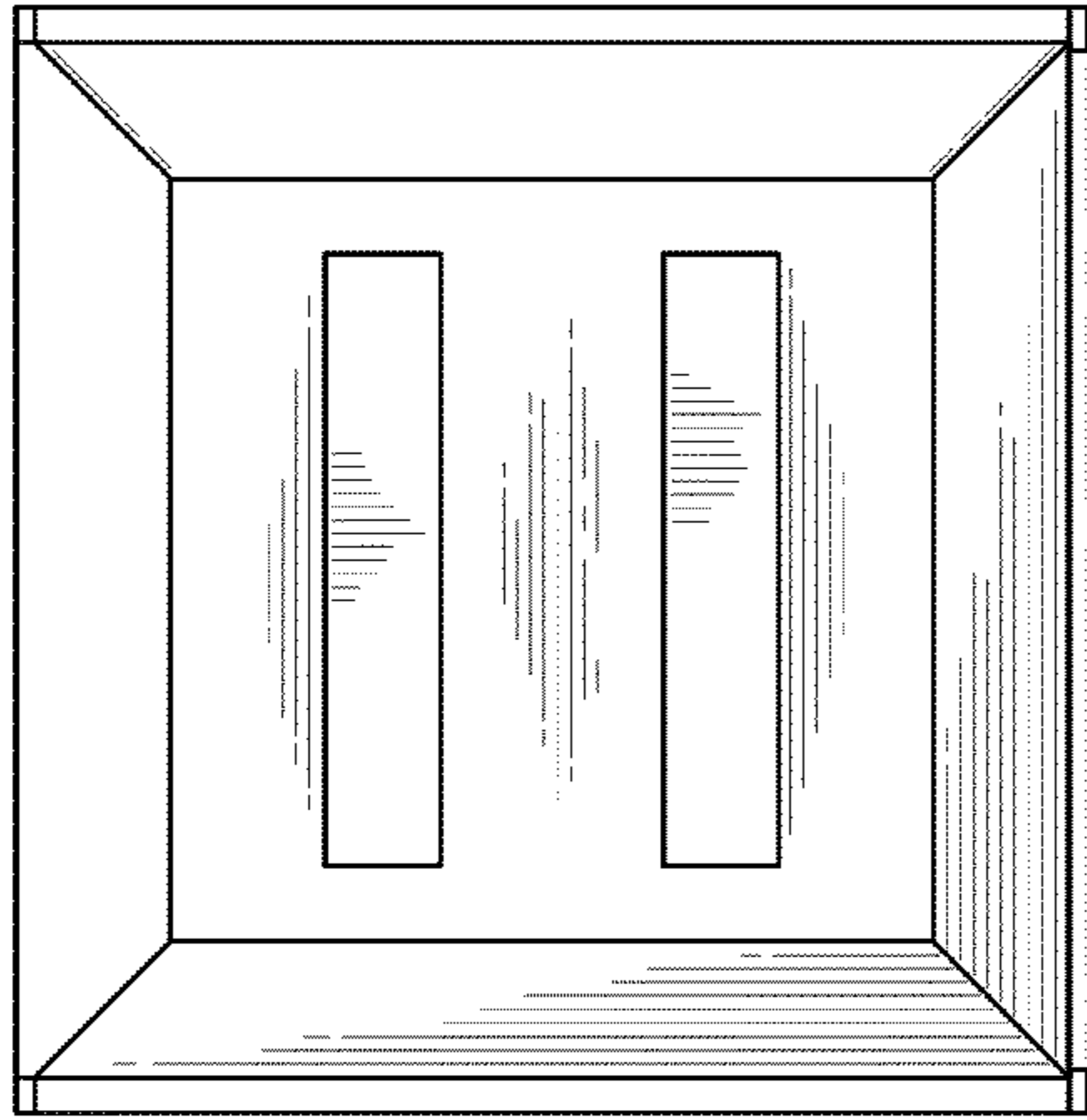


FIG. 7

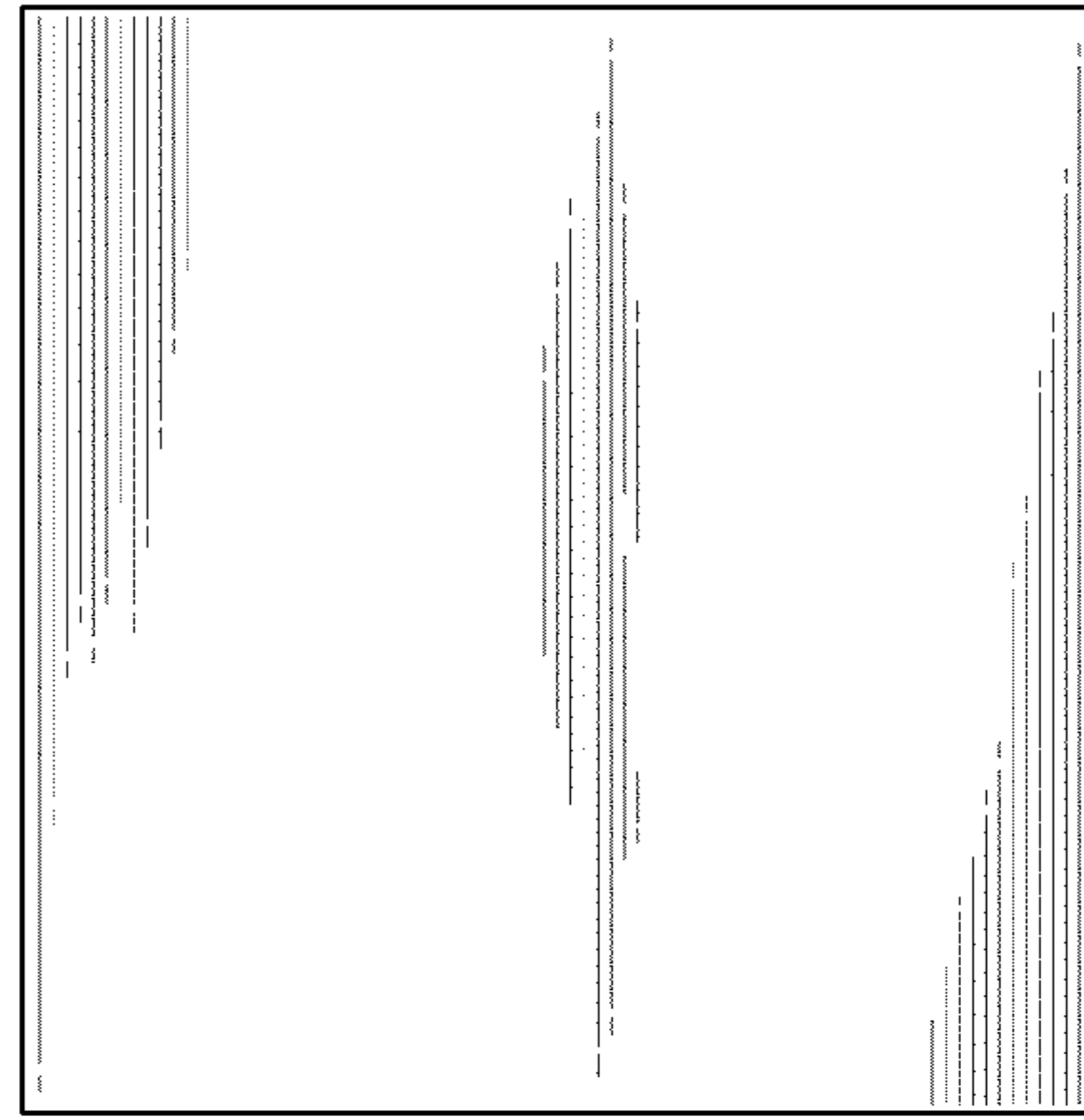


FIG. 8

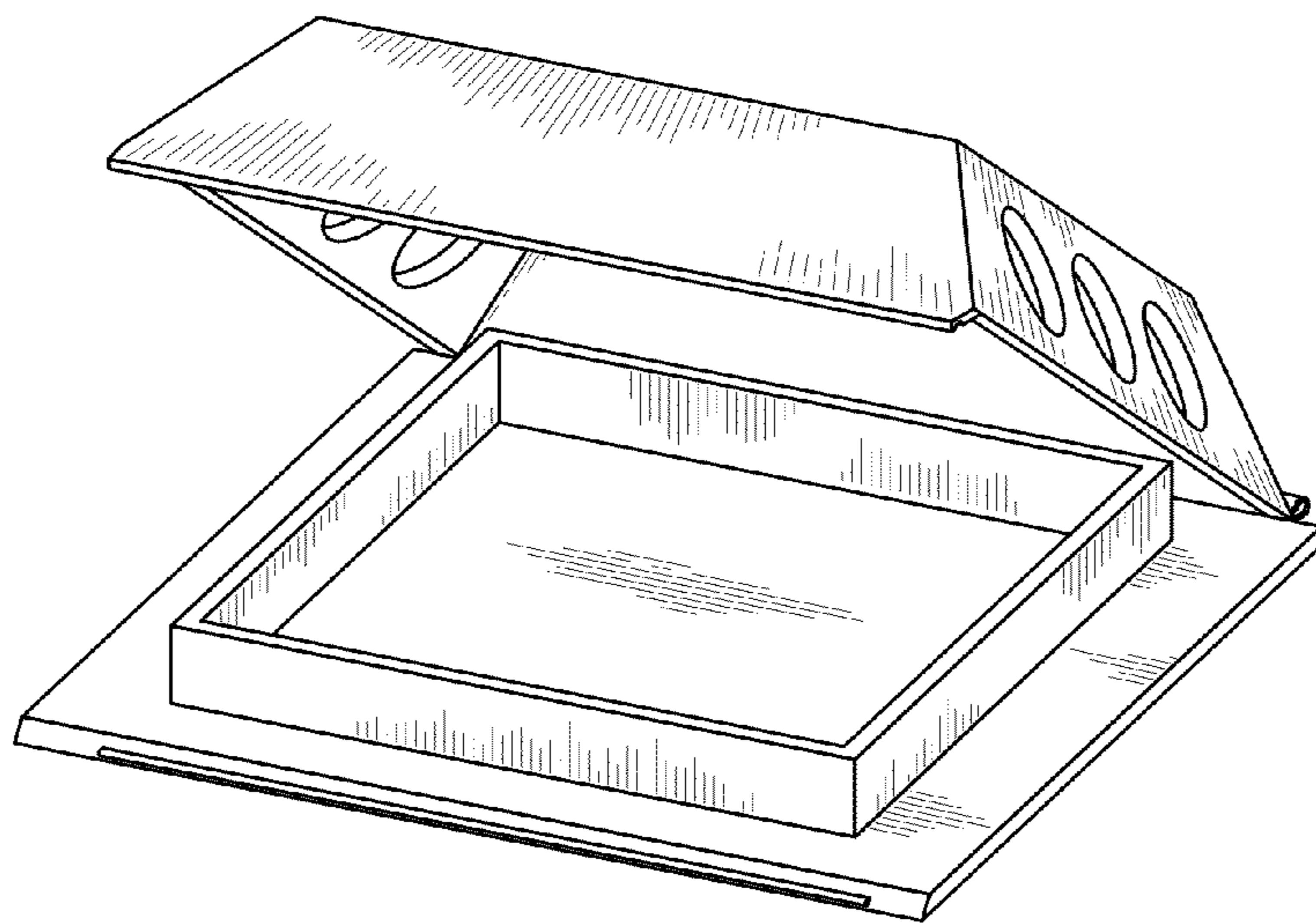


FIG. 9

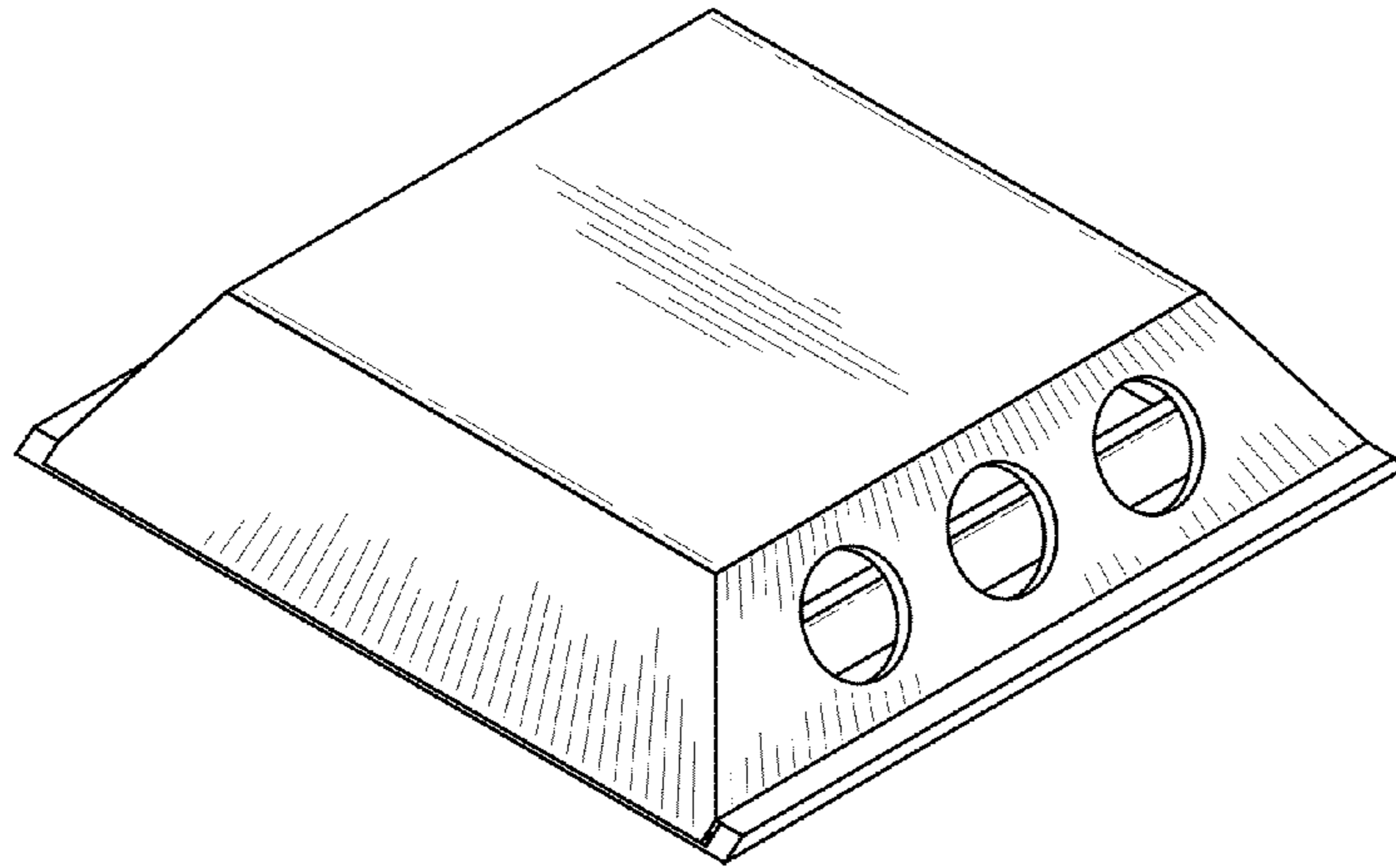


FIG. 10

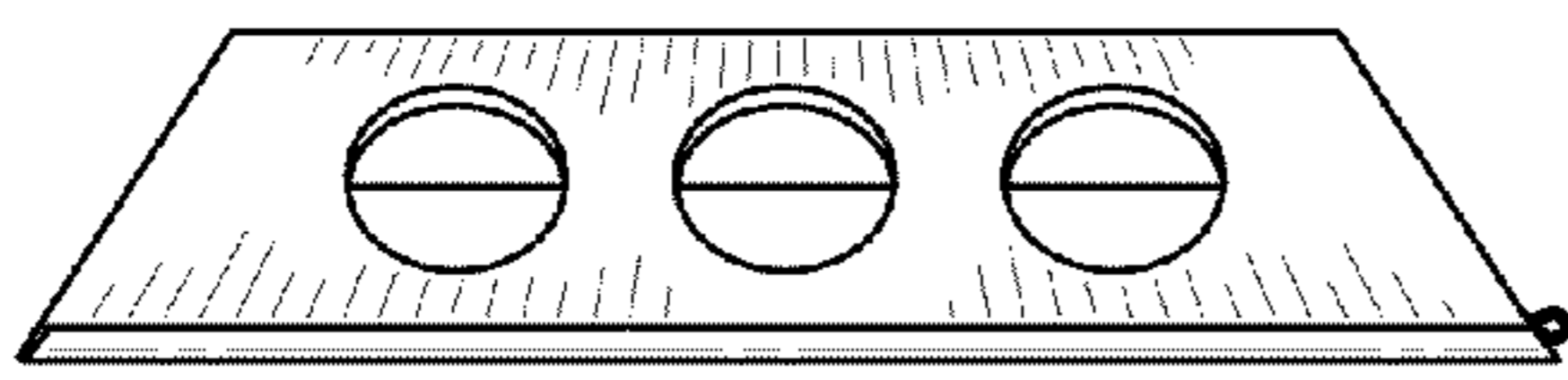


FIG. 11

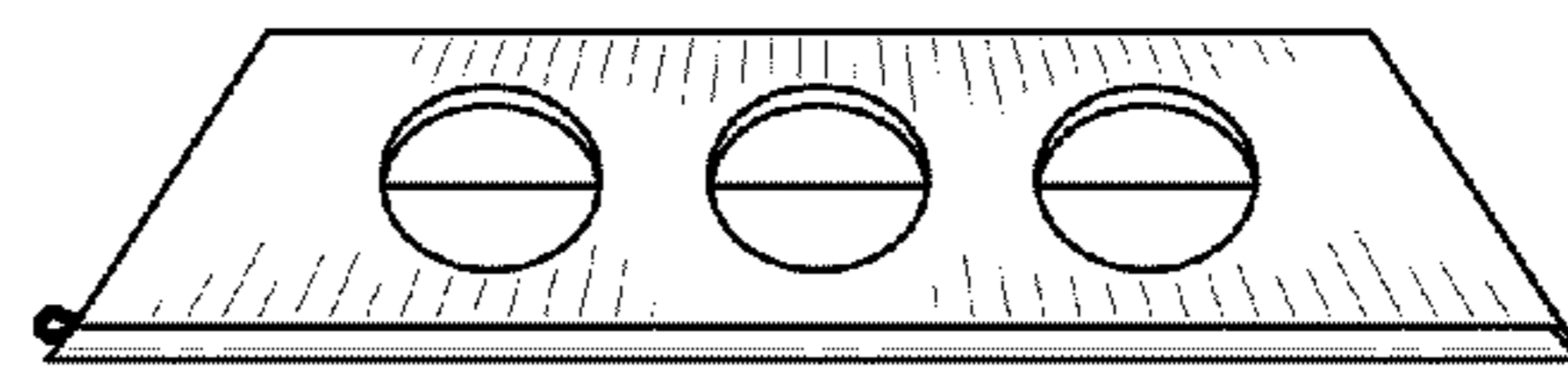


FIG. 12

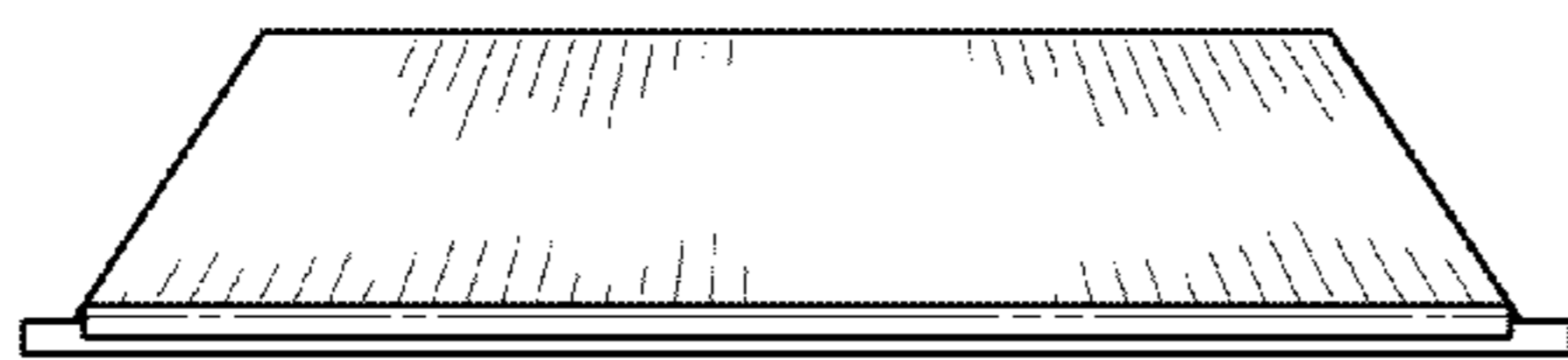


FIG. 13

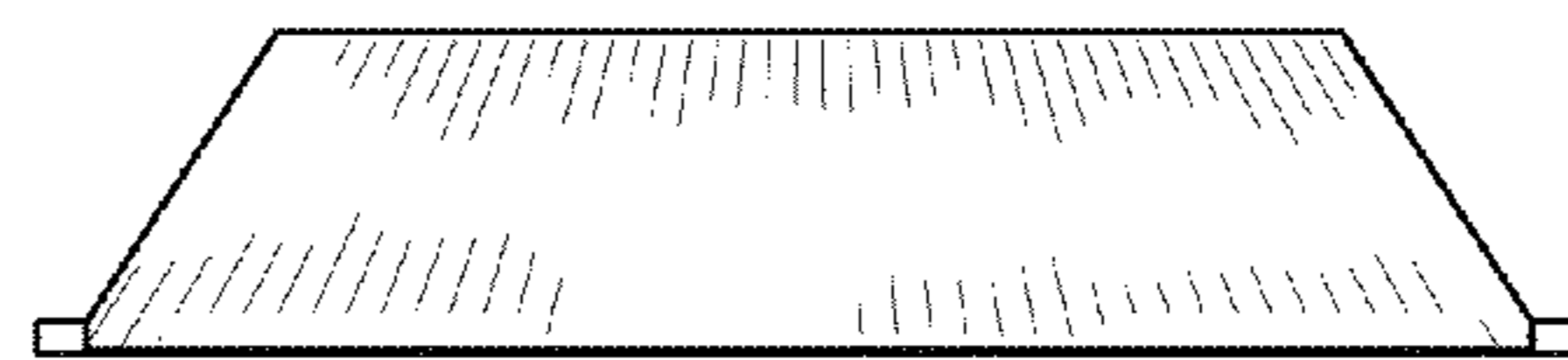


FIG. 14

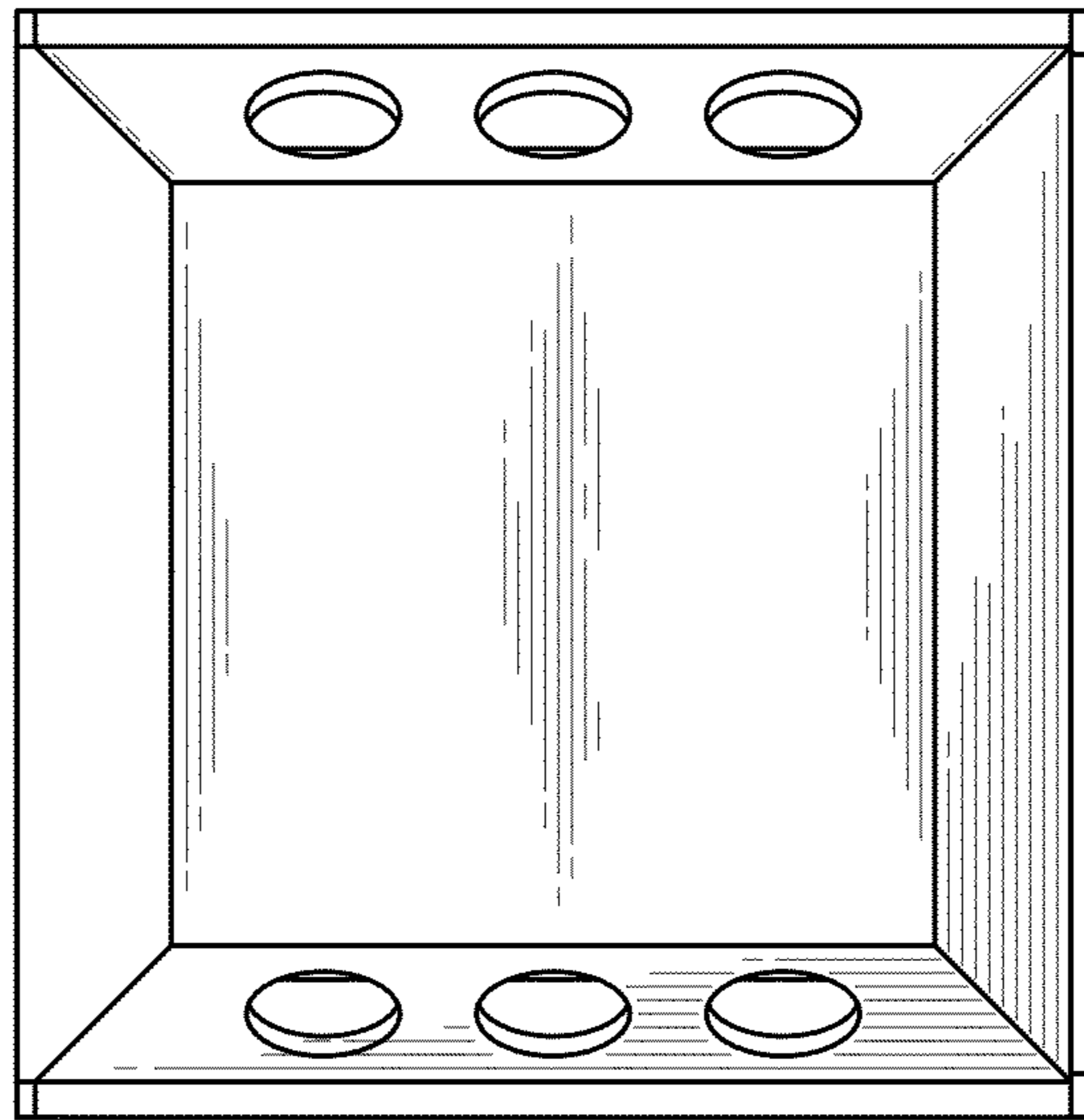


FIG. 15

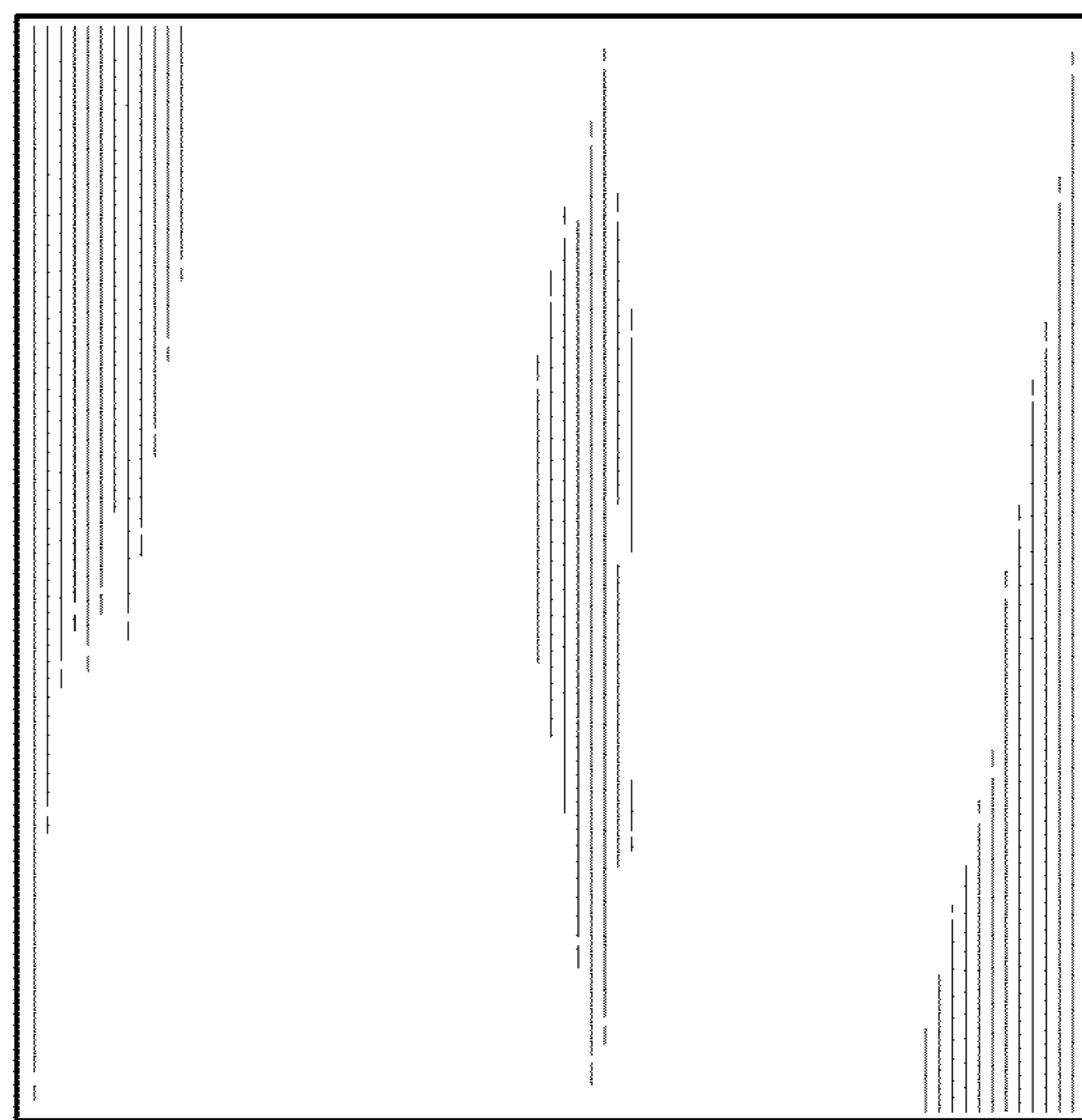


FIG. 16