



US00D722127S

(12) **United States Design Patent**
Huang

(10) **Patent No.:** **US D722,127 S**
(45) **Date of Patent:** **** Feb. 3, 2015**

(54) **SNAP TRAP STATION**

(71) Applicant: **Chang-Hsiu Huang**, Puxin Township,
Changhua County (TW)

(72) Inventor: **Chang-Hsiu Huang**, Puxin Township,
Changhua County (TW)

(**) Term: **14 Years**

(21) Appl. No.: **29/492,897**

(22) Filed: **Jun. 4, 2014**

(51) **LOC (10) Cl.** **22-06**

(52) **U.S. Cl.**
USPC **D22/119**

(58) **Field of Classification Search**
USPC D22/119-124; 43/58, 60-61, 68, 76,
43/81, 112-114, 124, 131, 132.1
See application file for complete search history.

(56) **References Cited**

U.S. PATENT DOCUMENTS

D485,597 S * 1/2004 Turner D22/119
D577,412 S * 9/2008 Nathan et al. D22/119
D617,864 S * 6/2010 Cink et al. D22/119
8,291,637 B2 * 10/2012 Patterson et al. 43/81

D673,640 S * 1/2013 Bailey et al. D22/119
D690,789 S * 10/2013 Wauson D22/119
D711,495 S * 8/2014 Metlen et al. D22/119

* cited by examiner

Primary Examiner — Catheri Oliver-Garcia
(74) *Attorney, Agent, or Firm* — Alan D. Kamrath; Kamrath
IP Lawfirm, P.A.

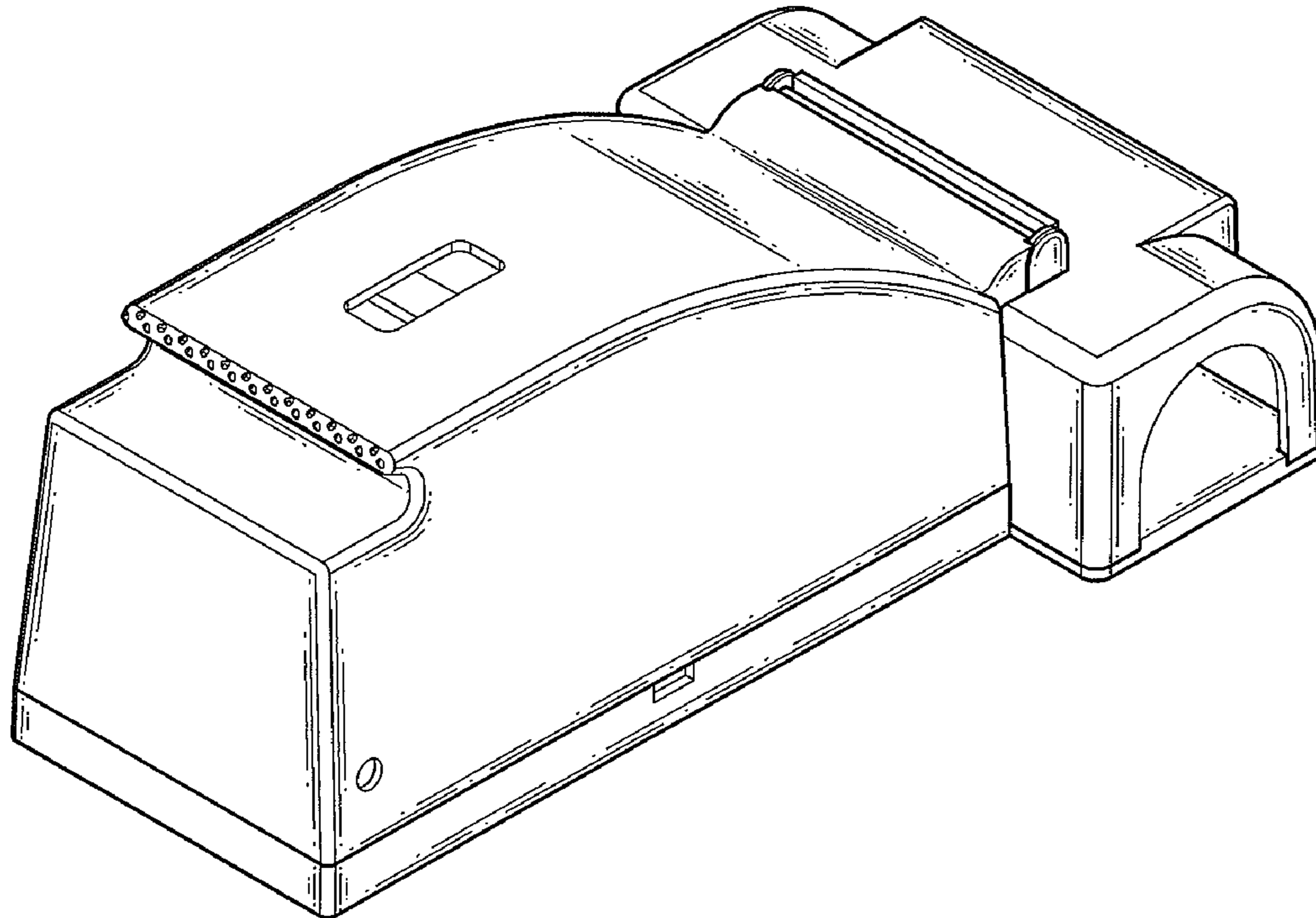
(57) **CLAIM**

The ornamental design for a snap trap station, as shown and
described.

DESCRIPTION

FIG. 1 is a perspective view of a snap trap station showing my
design;
FIG. 2 is a front elevational view thereof;
FIG. 3 is a rear elevational view thereof;
FIG. 4 is a left side elevational view thereof;
FIG. 5 is a right side elevational view thereof;
FIG. 6 is a top plan view thereof;
FIG. 7 is a bottom plan view thereof; and,
FIG. 8 is a perspective schematic view illustrating an appli-
cation of a snap trap station showing my design.
The broken line showing of environment in FIG. 7 is included
for the purpose of illustrating only and forms no part of the
claimed design.

1 Claim, 5 Drawing Sheets



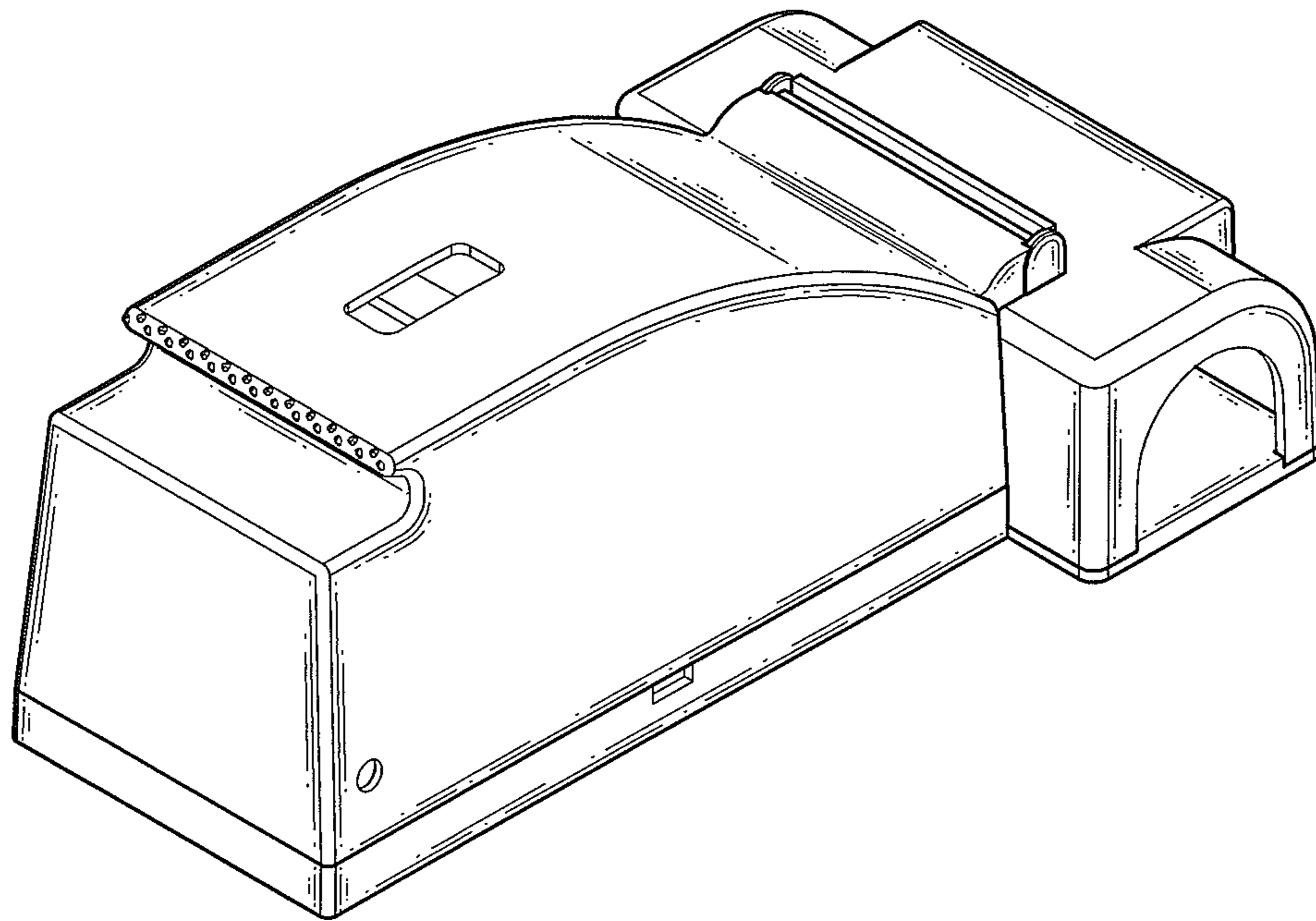


FIG. 1

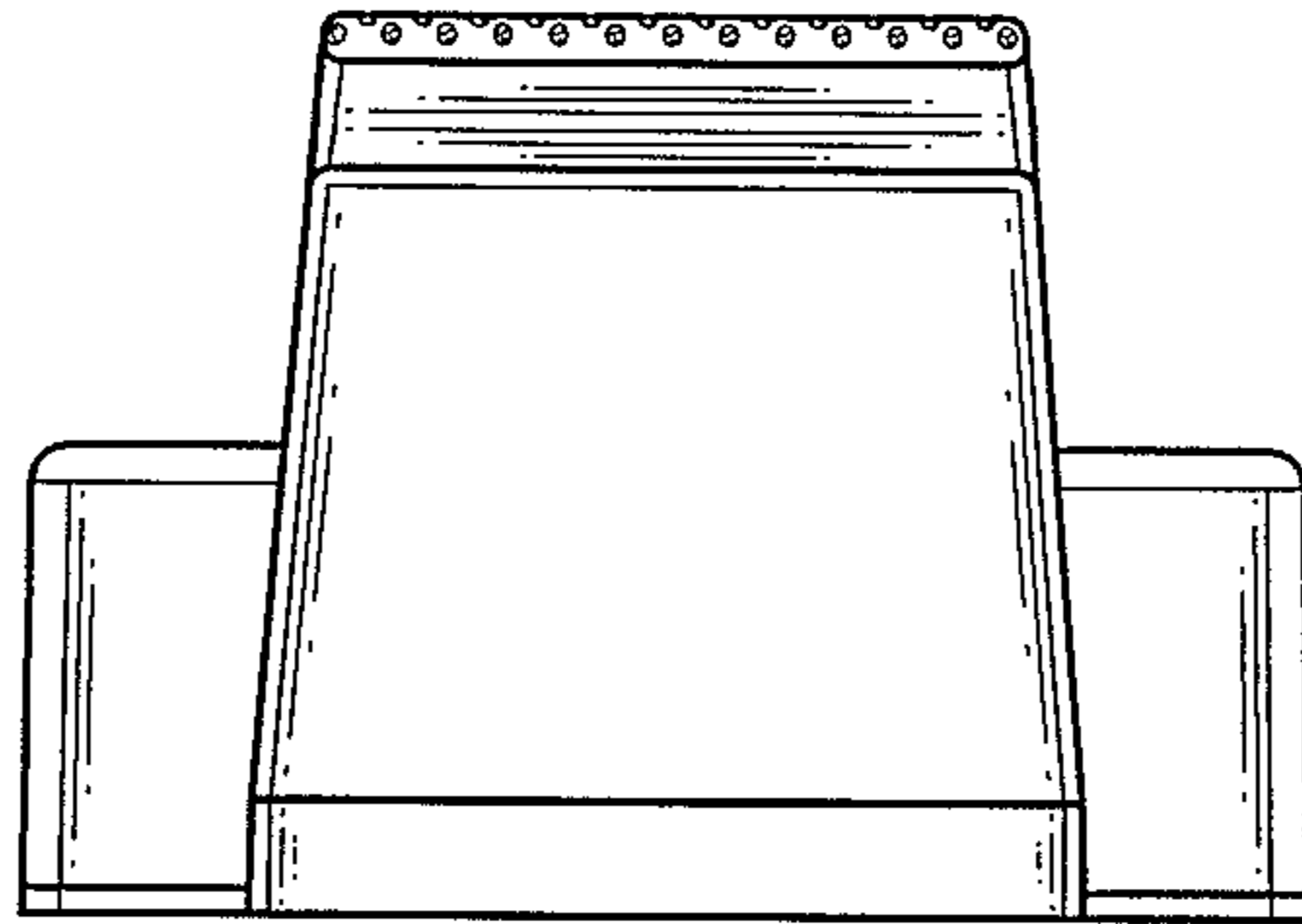


FIG. 2

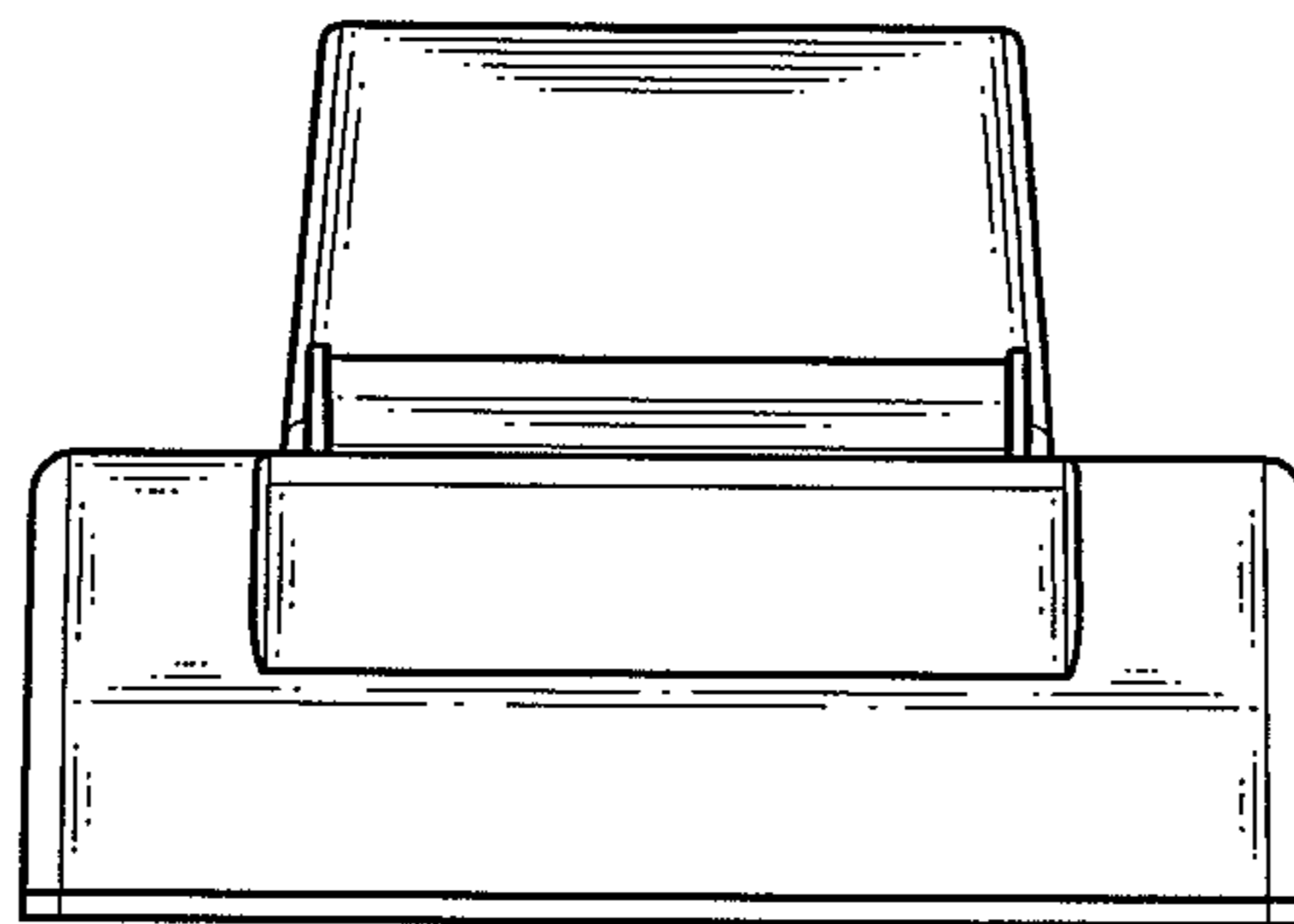


FIG. 3

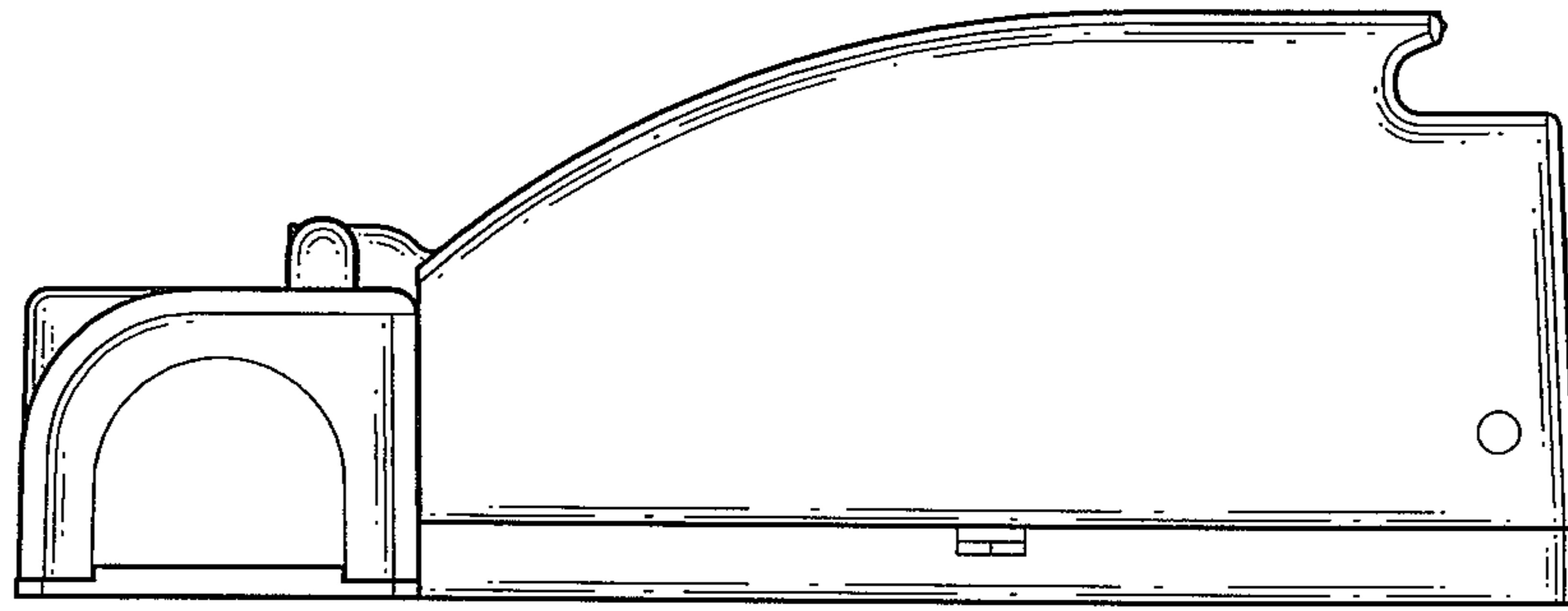


FIG. 4

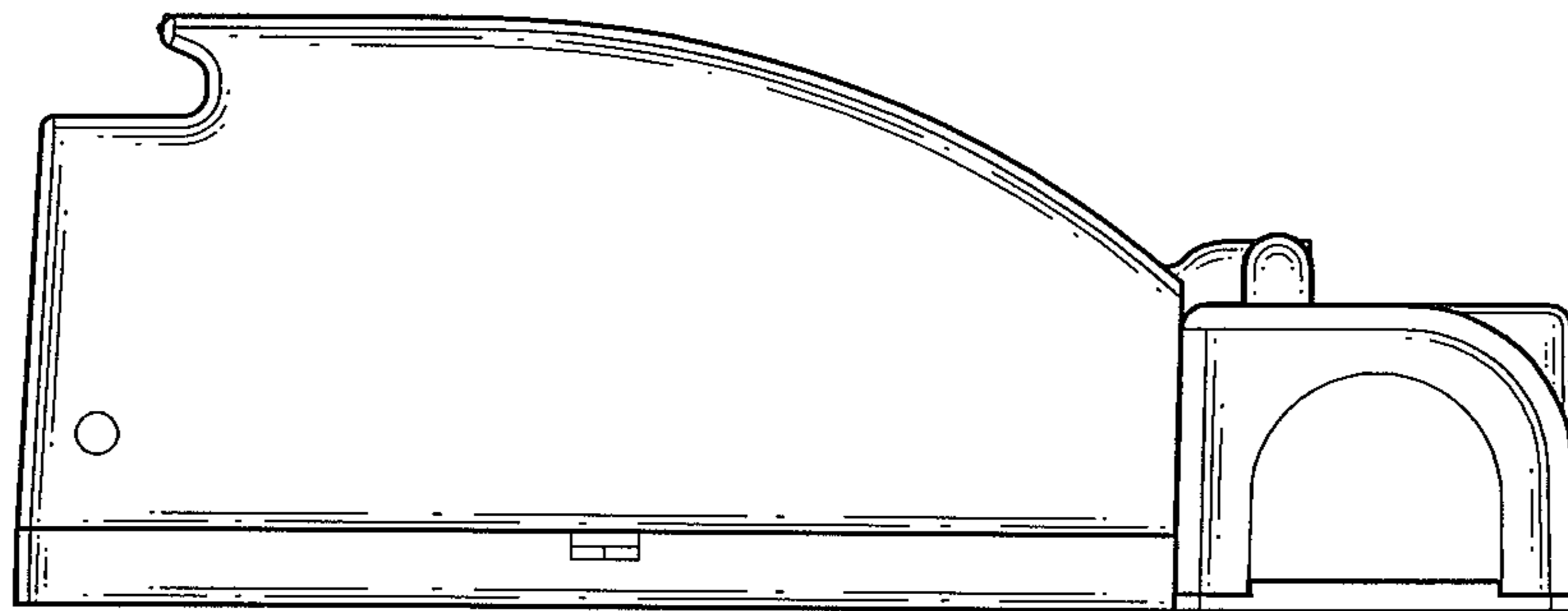


FIG. 5

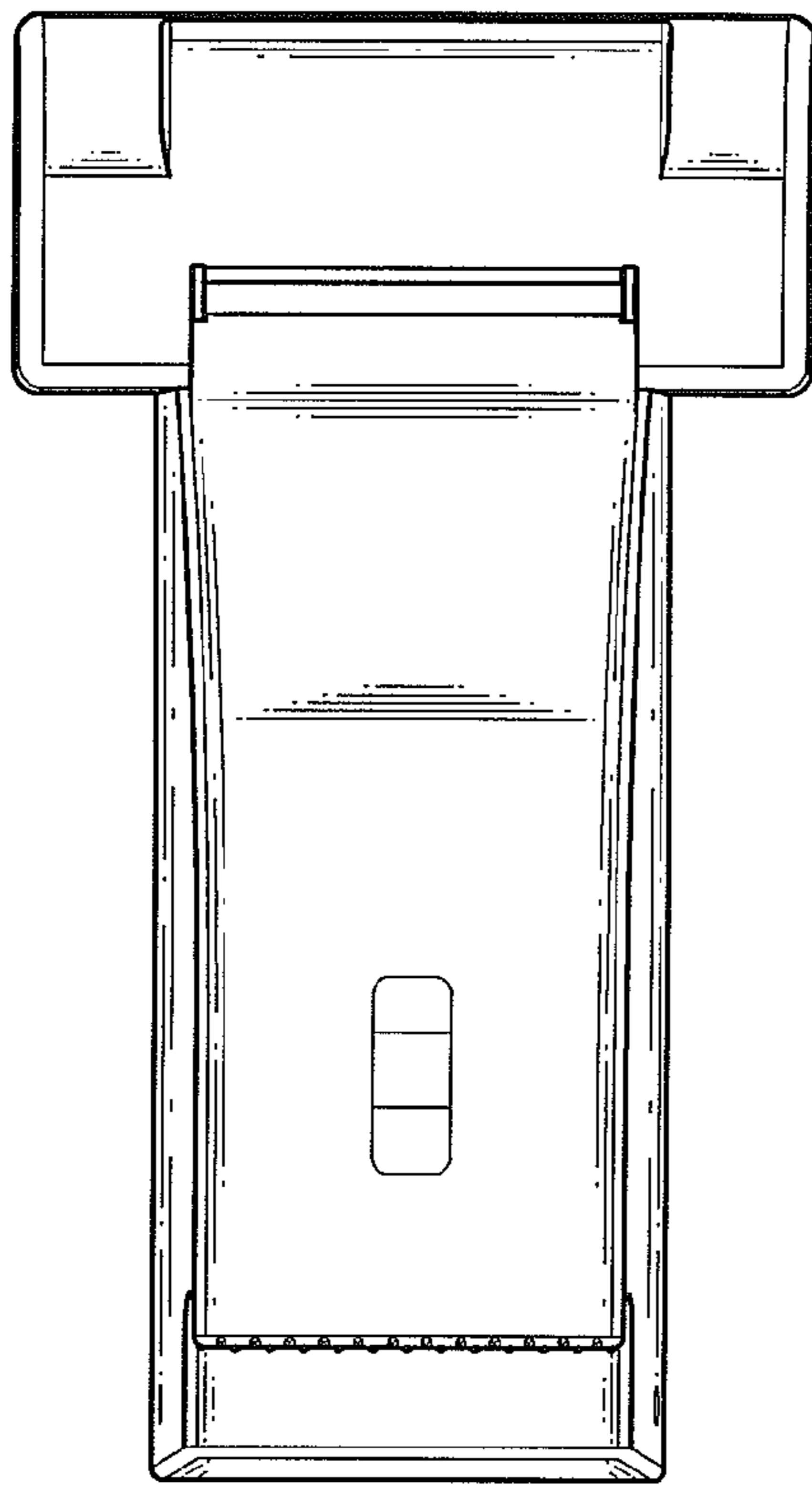


FIG. 6

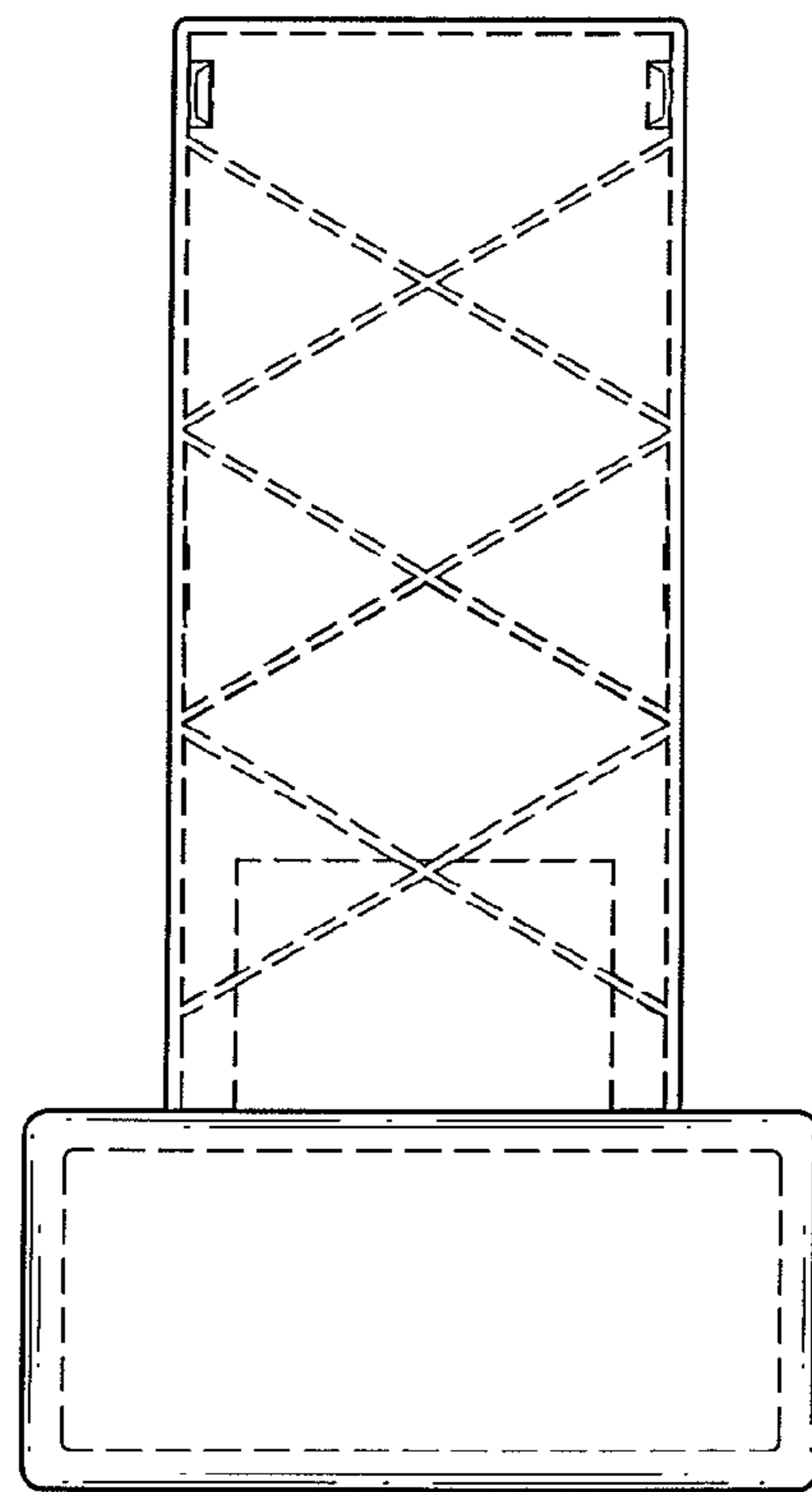


FIG. 7

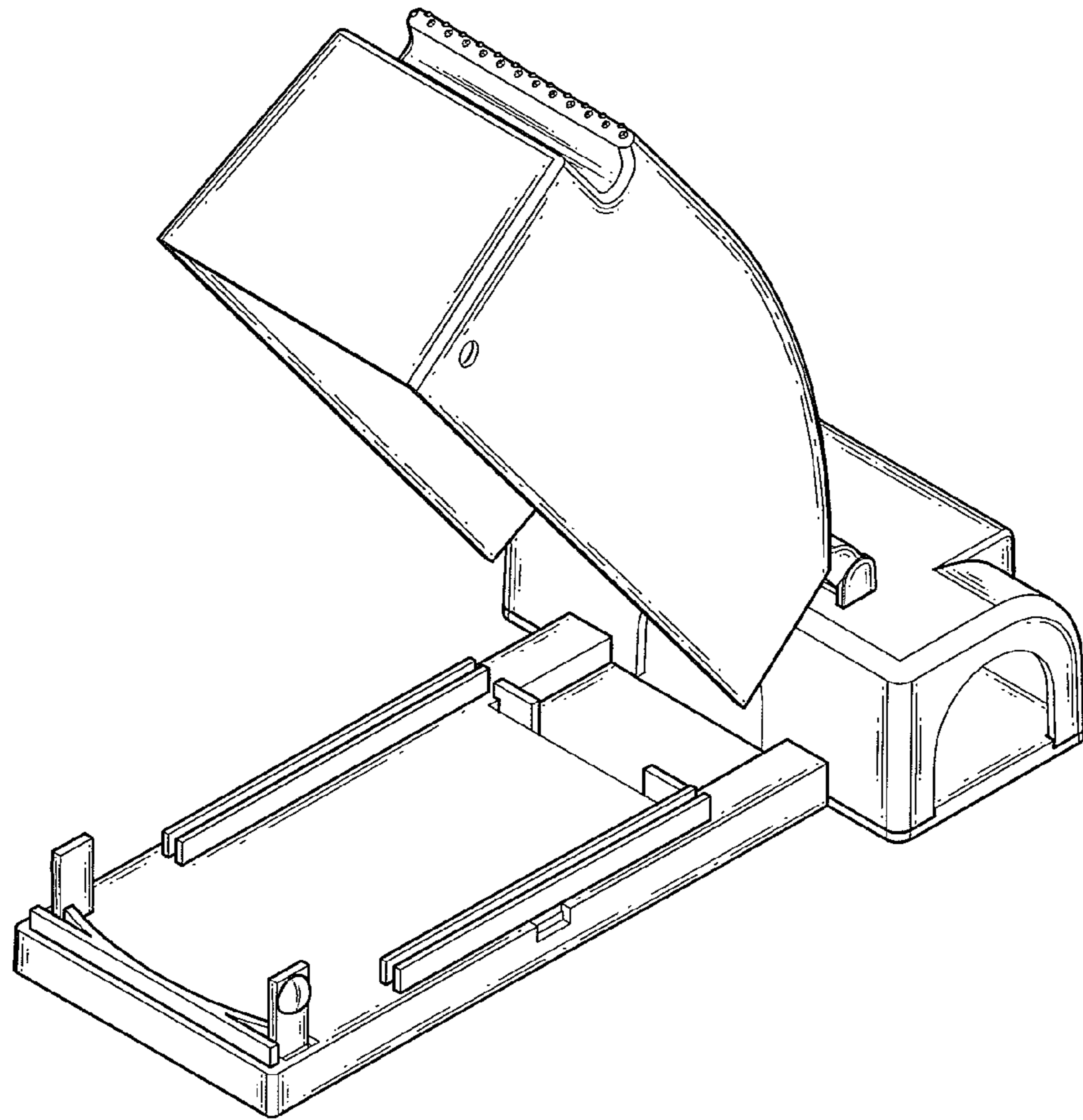


FIG. 8