



US00D722125S

(12) **United States Design Patent**
Zayatz et al.

(10) **Patent No.:** **US D722,125 S**

(45) **Date of Patent:** **** Feb. 3, 2015**

(54) **TEXTURED FIREARM GRIP**

Website: <http://www.ar15.com/archive/topic.html?b=7&f=25&t=793355>; Last Update: Jul. 3, 2014; Accessed on: Sep. 17, 2014.

(71) Applicant: **Magpul Industries Corporation**, Erie, CO (US)

(Continued)

(72) Inventors: **Rick Zayatz**, Berthoud, CO (US); **Nick Kielsmeier**, Thornton, CO (US); **Thomas Ward, Jr.**, Tualatin, OR (US); **Richard Fitzpatrick**, Longmont, CO (US); **Michael T. Mayberry**, Denver, CO (US); **Brad Bennett**, Lafayette, CO (US)

Primary Examiner — Michael A Pratt
(74) *Attorney, Agent, or Firm* — Swanson & Bratschun, L.L.C.

(57) **CLAIM**
The ornamental design for a textured firearm grip, as shown and described.

(73) Assignee: **Magpul Industries Corporation**, Erie, CO (US)

DESCRIPTION

(**) Term: **14 Years**

(21) Appl. No.: **29/466,790**

(22) Filed: **Sep. 11, 2013**

(51) **LOC (10) Cl.** **22-01**

(52) **U.S. Cl.**
USPC **D22/108**

(58) **Field of Classification Search**
USPC D22/100, 108, 199; D8/68;
42/71.01-74; 89/1.42
See application file for complete search history.

FIG. 1 is a right side elevation view of a textured firearm grip attached to a firearm showing our new design;
FIG. 2 is a front, bottom, right perspective view of the textured firearm grip of FIG. 1 with the firearm omitted;
FIG. 3 is a rear, bottom, left perspective view of the textured firearm grip of FIG. 1 with the firearm omitted;
FIG. 4 is a right side elevation view of the textured firearm grip of FIG. 1 with the firearm omitted, the left side elevation view being a mirror image thereof;
FIG. 5 is a front elevation view of the textured firearm grip of FIG. 1 with the firearm omitted;
FIG. 6 is a rear elevation view of the textured firearm grip of FIG. 1 with the firearm omitted;
FIG. 7 is a top plan view of the textured firearm grip of FIG. 1 with the firearm omitted; and
FIG. 8 is a bottom plan view of the textured firearm grip of FIG. 1 with the firearm omitted; and
FIG. 9 is a perspective view of the surface texture of FIG. 1 shown enlarged.

(56) **References Cited**

U.S. PATENT DOCUMENTS

D269,895 S *	7/1983	Bianchi et al.	D22/104
D293,357 S *	12/1987	Ruger et al.	D22/108
D300,057 S *	2/1989	Ruger et al.	D22/108
D335,520 S *	5/1993	Capone	D22/108

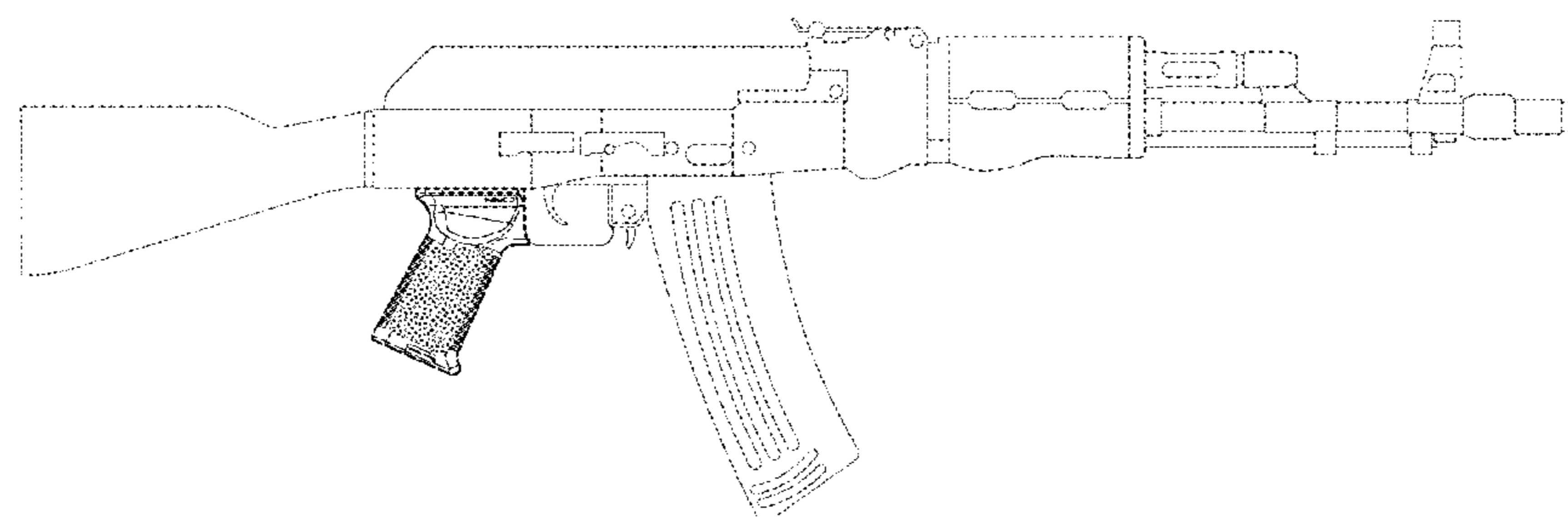
(Continued)

OTHER PUBLICATIONS

AR15com_WTS_Crimson_Trace_VF-302_Foregrip_Mounted_Laser AR15.com (Dec. 4, 2011) WTS—Crimson Trace VF-302 Foregrip Mounted Laser; Website [Online] Available

The broken lines showing portions of the design in all figures is included for the purpose of illustrating environment and unclaimed features and forms not part of the claimed design. The relative density and proportions of the surface treatment is accurately illustrated in FIGS. 2, 3 and 4. For practicality FIGS. 1, 5 through 9 shows a token representation of the surface treatment The texture pattern sample illustrated in FIG. 9 is applied uniformly within the area circumscribed for the texture; except in any areas marked out for exclusion from the claim.

1 Claim, 6 Drawing Sheets



(56)

References Cited

U.S. PATENT DOCUMENTS

6,658,781	B1	12/2003	Bowen	
6,860,053	B2 *	3/2005	Christiansen	42/71.02
7,121,034	B2	10/2006	Keng	
7,356,958	B2	4/2008	Weir	
D577,411	S *	9/2008	Dehart	D22/108
D600,771	S	9/2009	Fitzpatrick et al.	
D606,614	S	12/2009	Fitzpatrick	
D633,163	S	2/2011	Fitzpatrick	
D667,916	S	9/2012	Mayberry	
D692,517	S	10/2013	Faifer	
8,584,390	B1 *	11/2013	Fraher et al.	42/71.02
D705,887	S	5/2014	Fitzpatrick et al.	
D706,377	S	6/2014	Zayatz et al.	
2004/0064994	A1 *	4/2004	Luke	42/85
2005/0183317	A1	8/2005	Finn	
2006/0272192	A1 *	12/2006	Zimmermann	42/7
2008/0052979	A1	3/2008	Lee	
2009/0038200	A1	2/2009	Keng	
2010/0139144	A1	6/2010	Fitzpatrick et al.	
2011/0173861	A1 *	7/2011	Roth	42/71.01
2012/0180359	A1	7/2012	Fitzpatrick et al.	
2013/0125442	A1 *	5/2013	Burress, Jr.	42/71.01
2013/0205635	A1 *	8/2013	Hines et al.	42/71.02

OTHER PUBLICATIONS

Archangel_Manufacturing_2012_Black_Polymer_Vertical_Fore_Grip Archangel Manufacturing (Nov. 12, 2012) Black Polymer Vertical Fore Grip—Compact AAFG03; Website [online] Available Website: <http://www.archangelmanufacturing.com/2012/09/10/aafg03-archangel-vertical-fore-grip-compact-sizeblack-polymer/>; Last Update: Unknown; Accessed: Sep. 17, 2014.

ATI_Gun_Stocks_AR-15_Scorpion_Recoil_Pistol_Grip ATI Gun Stocks (Admitted Prior Art) AR-15 Scorpion Recoil Pistol Grip; Website [Online] Available Website: <http://www.atigunstocks.com/ar-15-pistol-grip/>; Last Update: Unknown; Accessed on: Sep. 4, 2014.

BerettaUSA_ARX160_22LR_Vertical_Grip Beretta USA (Admitted Prior Art) Beretta ARX160 .22LR, Vertical Grip; Website [Online] Available Website: <http://www.berettausa.com/en-us/beretta-arx160-22lr-vertical-grip/574102/>; Last Update: Unknown; Accessed on: Oct. 9, 2014.

Bobro_Engineering_2009_VERTICAL_GRIP_FGA-2 Bobro Engineering (Aug. 4, 2009) Vertical Grip—Shorty I Item No: FGA-2; Website [Online] Available Website: <http://www.bobroengineering.com/view/product/2/>; Last Update: May 23, 2013; Accessed: Sep. 17, 2014.

BravoCompanyUSA_com_2007_CQD_Vertical_Grip BravoCompanyUSA.com (Oct. 13, 2007) CQD Vertical Grip; Website [Online] Available Website: <http://www.bravocompanyusa.com/CQD-Vertical-Grip-p/cqd%20vpg.htm>; Last Update: Jul. 1, 2013; Accessed on: Sep. 17, 2014.

BravoCompanyUSA_com_2013_BCMgunfighter_Vertical_Grip_Black BravoCompanyUSA.com (Jun. 15, 2013) BCMgunfighter Vertical Grip — Black; Website [Online] Available Website: <http://www.bravocompanyusa.com/BCM-GUN-FIGHTER-s-Vertical-Grip-VG-Black-p/bcm-gfvg-black.htm>; Last Update: Sep. 11, 2014; Accessed on: Sep. 17, 2014.

BravoCompanyUSA_com_2013_Vertical_Grip_SHORT_Black BravoCompanyUSA.com (Oct. 19, 2013) BCMgunfighter Vertical Grip Short—Black; Website [Online] Available Website: <http://www.bravocompanyusa.com/BCM-Gun-Fighter-s-Vertical-Grip-VG-Black-p/bcm-gfvg-black.htm>; Last Update: Sep. 11, 2014; Accessed on: Sep. 17, 2014.

Command_Arms_Accessories_2011_BVG_Forearm_Vertical_Grip Command Arms Accessories (May 14, 2011) BVG Forearm Vertical Grip; Website [Online] Available Website: <http://store.commandarms.com/products/BVG.html>; Last Update: Jun. 28, 2013; Accessed on: Sep. 17, 2014.

Command_Arms_Accessories_2011_CGRIP-Combat_Ergonomie_Forearm_Grip Command Arms Accessories (Oct. 3, 2011) CGRIP—Combat Ergonomic Forearm Grip; Website [Online] Available Website: <http://store.commandarms.com/products/CGRIP.html>; Last Update: Dec. 4, 2011; Accessed on: Sep. 17, 2014.

Command_Arms_Accessories_2011_EVG_Ergonomic_Vertical_Grip Command Arms Accessories (May 14, 2011) Ergonomic Vertical Grip | EVG; Website [Online] Available Website: <http://store.commandarms.com/products/EVG.html>; Last Update: Jun. 22, 2013; Accessed on: Sep. 17, 2014.

Command_Arms_Accessories_2011_FGA_Fore_Grip_Flashlight_Holder Command Arms Accessories (May 7, 2011) FGA Fore Grip & Flashlight Holder; Website [Online] Available Website: <http://store.commandarms.com/products/FGA.html>; Last Update: Jun. 19, 2013; Accessed on: Sep. 17, 2014.

Command_Arms_Accessories_2011_FVG5_5-Position_Folding_Forearm_Grip Command Arms Accessories (May 17, 2011) FVG5 5-Position Folding Forearm Grip; Website [Online] Available Website: <http://store.commandarms.com/products/FVG5.html>; Last Update: Jun. 19, 2013; Accessed: Sep. 17, 2014.

Command_Arms_Accessories_2011_MVG_Short_Vertical_Grip Command Arms Accessories (May 14, 2011) MVG Short Vertical Grip; Website [Online] Available Website: <http://store.commandarms.com/products/MVG.html>; Last Update: Dec. 27, 2013; Accessed on: Sep. 17, 2014.

Command_Arms_Accessories_2011_Pistol_Grip_UPG16 Command Arms Accessories (May 5, 2011) Pistol Grip | UPG16; Website [Online] Available Website: <http://store.commandarms.com/products/UPG16.html>; Last Update: Sep. 3, 2013; Accessed on: Sep. 4, 2014.

Command_Arms_Accessories_2011_Replacement_Pistol_Grip_G16 Command Arms Accessories (May 7, 2011) Replacement Pistol Grip | G16; Website [Online] Available Website: <http://store.commandarms.com/products/G16.html>; Last Update: Aug. 28, 2013; Accessed on: Sep. 22, 2014.

Command_Arms_Accessories_2011_SVG_Short_Vertical_Grip Command Arms Accessories (May 14, 2011) SVG Short Vertical Grip; Website [Online] Available Website: <http://store.commandarms.com/products/SVG.html>; Last Update: May 25, 2013; Accessed on: Sep. 17, 2014.

Command_Arms_Accessories_2011_TVG_Vertical_Forward_Grip Command Arms Accessories (May 17, 2011) TVG Vertical Forward Grip; Website [Online] Available Website: <http://store.commandarms.com/products/TVG.html>; Last Update: Jun. 19, 2013; Accessed on: Sep. 17, 2014.

Command_Arms_Accessories_TVG1_Vertical_Forward_Grip Command Arms Accessories (Admitted Prior Art) TVG1 Vertical Forward Grip; Website [Online] Available website: <http://store.commandarms.com/products/thunder-three-l-finger-vertical-forward-grip/>; Last Update: Unknown; Accessed on: Sep. 17, 2014.

Crimson_Trace_2011_MVF_515 Crimson Trace (Dec. 4, 2011) MVF-515; Website [Online] Available Website: <http://www.crimsontrace.com/products/type/modular-vertical-foregrips/>; Last Update: Jul. 3, 2013; Accessed on: Sep. 17, 2014.

Daniel_Defense_2012_CONVERT_GRIP_BLACK Daniel Defense (Nov. 22, 2012) Convert GRIP™ Black; Website [Online] Available Website: <https://danieldefense.com/convert-griptm-black.html>; Last Update: Jul. 23, 2014; Accessed on: Sep. 17, 2014.

Daniel_Defense_2012_Vertical_Foregrip_Black Daniel Defense (Nov. 18, 2012) Vertical Foregrip, Black; Website [Online] Available Website: <https://danieldefense.com/components-parts/vertical-grips/vertical-foregrip-black.html>; Last Update: Jul. 23, 2014; Accessed on: Sep. 17, 2014.

Defense_Review_2009_HK416_Pistol_Driven_556_Carbine Defense Review (Apr. 10, 2009) HK416 Pistol-Driven 5.56 Carbine and High-Reliability 30-Round Steel Mag; Website [Online] Available Website: <http://www.defensereview.com/hk416-pistol-driven-556-carbine-and-high-reliability-30-round-steel-mag/>; Last Update: Oct. 14, 2013; Accessed on Sep. 22, 2014.

DPMS_Panther_Arms_Panther_Tactical_Grip DPMS Panther Arms (Admitted Prior Art); Panther Tactical Grip; Website [Online] Available Website: http://www.dpmsinc.com/Panthertrade-Tactical-Grip_p_464.html; Last Update: Unknown; Accessed on: Oct. 6, 2014.

(56)

References Cited

OTHER PUBLICATIONS

DPMS Panther Arms 2014 SPR Pistol Grip DPMS Panther Arms (Admitted Prior Art) SPR Pistol Grip; Website [Online] Available Website: http://www.dpmsinc.com/SPR-Pistol-Grip_p_490.html; Last Update: Unknown; Accessed on: Sep. 4, 2014.

eSarcoInccom 2014 Product Image ESarcoInc.com (Sep. 14, 2014) Product Image; Website [Online] Available Website: <http://www.e-sarcoinc.com/images/products/detail/ar074.jpg>; Last Update: Unknown; Accessed on: Sep. 4, 2014.

Fortis Manufacturing Shift Vertical Grip Fortis Manufacturing (Admitted Prior Art) Shift™ Vertical Grip; Website [Online] Available website: <http://fortismfg.com/ar15-fortis-shiftf-vertical-grip>; Last Update: Unknown; Accessed on: Oct. 6, 2014.

Gear Sector 2011 Vertical Grips Gear Sector (Apr. 3, 2011) Vertical Grips; Website [Online] Available Website: <https://www.gearsector.com/browse/category/mounts/weapon-controls/vertical-grips/>; Last Update: Sep. 18, 2012; Accessed on: Sep. 17, 2014.

GGG 2011 Vertical Foregrip GG&G (Apr. 25, 2011) Vertical Foregrip; Website [Online] Available Website: <http://www.gggaz.com/vertical-foregrip.html>; Last Update: Aug. 5, 2014; Accessed on: Sep. 17, 2014.

Grip Pod 2012 Grip Pod Models Grip Pod Systems International, LLC (Sep. 30, 2012) Grip Pod Models; Website [Online] Available Website: <http://www.grippod.com/gsp-02-military/>; Last Update: Jul. 16, 2014; Accessed on: Sep. 17, 2014.

Gun Blast 2005 Bushmaster XM 15 GunBlast.com (Dec. 14, 2005) Bushmaster XM 15; Website [Online] Available Website: http://www.gunblast.com/images/Bushmaster_XM15/Mvc-017f.jpg; Last Update: Aug. 11, 2014; Accessed on: Sep. 4, 2014.

HKParts_net 2010 MP5 Trigger Housings HKParts.net (Nov. 2, 2010) MP5—Trigger Housings; Website [Online] Available Website: <http://www.hkparts.net/shop/pc/MP5-Trigger-Housings-c242.htm>; Last Update: Jul. 2, 2014; Accessed on: Sep. 8, 2014.

HKParts_net 2012 HK 416 MR556 MR762 Battle Grip Storage HKParts.net (Jun. 29, 2012) HK 416, MR556 & MR762 Battle Grip W/ Storage; Website [Online] Available Website: http://www.hkparts.net/shop/pc/HK-416-MR556-MR762-Battle-Grip-W-Storage-p33.htm#.VA4I2_1dWVN; Last Update: Mar. 16, 2013; Accessed on: Sep. 8, 2014.

HKparts_net 2012 HK German Vertical Grip HKParts.net (Mar. 1, 2012) HK German Vertical Grip; Website [Online] Available Website: <http://www.hkparts.net/shop/pc/HK-German-Veritcal-Grip-p34.htm#.VBokmPldWVN>; Last Update: Jun. 23, 2013; Accessed on: Sep. 17, 2014.

HKParts_net 2014 MP5 HKParts.net (Jul. 29, 2014) MP5; Website [Online] Available Website: <http://www.hkparts.net/shop/pc/MP5-c5.htm>; Last Update: Sep. 5, 2014; Accessed on: Sep. 8, 2014.

Hogue 2012 Extreme Series G10 Grips Hogue (May 10, 2012) Extreme™ Series G10 Grips; Website [Online] Available Website: http://www.hoguestore.com/index.php?main_page=index&cPath=16_680; Last Update: Jul. 3, 2014; Accessed on: Sep. 8, 2014.

Hogue 2013 Soft OverMolded Rubber Hogue (May 7, 2013) Soft OverMolded Rubber; Website [Online] Available website: http://www.hoguestore.com/index.php?main_page=index&cPath=16_763; Last Update: Jul. 3, 2014; Accessed on: Sep. 8, 2014.

Hogue 2014 Extreme Series Aluminum Grips Hogue (Apr. 3, 2014) Extreme™ Series Aluminum Grips; Website [Online] Available Website: http://www.hoguestore.com/index.php?main_page=index&cPath=16_818; Last Update: Jul. 3, 2014; Accessed on: Sep. 8, 2014.

Impact Guns 2013 Bushmaster Enhanced Pistol Grip M16 AR15 Impact Guns (Apr. 20, 2013) Bushmaster Enhanced Pistol Grip M16/AR-15/M4/HK416, Milspec, Black; Website [Online] Available Website: <http://www.impactguns.com/bushmaster-enhanced-pistol-grip-will-fit-m16ar-15m4hk416-milspec-black-93392-604206933928.aspx>; Last Update: Sep. 1, 2014; Accessed on: Sep. 4, 2014.

John Masen Nylon Vertical Foregrip no bar John Masen Co. (Admitted Prior Art) Nylon Vertical Foregrip (no bar); Website [Online] Available Website: http://www.johnmasen.com/Merchant2/merchant.mvc?Screen=Prod&Store_Code=J&Product_Code=1505NPG&Category_Code=AA; Last Update: Unknown; Accessed on: Sep. 17, 2014.

LaRue Tactical 2011 Ergo AR15 M16 Ambidextrous SureGrip LaRue Tactical (Oct. 2, 2011) Ergo AR15/M16 Ambidextrous SUREGRIP; Website [Online] available Website: <http://www.laruetaactical.com/ergo-ar15m16-ambidextrous-suregrip>; Last Update: Aug. 8, 2014; Accessed on: Sep. 4, 2014.

Magpul 2013 MIAD GEN 1-1 Grip KR Type 1 Magpul Industries Corporation (Jan. 18, 2013) MIAD® GEN 1.1 Grip Kit—Type 1; Website [Online] Available Website: <http://store.magpul.com/product/MAG520/grips>; Last Update: Jul. 2, 2014; Accessed on: Sep. 4, 2014.

Magpul 2013 MOE K2 Grip AR15 M4 Magpul Industries Corporation (Feb. 12, 2013); MOE-K2® Grip—AR15/M4; Website [Online] Available Website: <http://store.magpul.com/product/MAG522/grips>; Last Update: Jul. 2, 2014; Accessed on: Sep. 4, 2014.

Magpul MVG MOE Vertical Grip Magpul Industries Corporation; (Admitted Prior Art) MVG® - MOE® Vertical Grip; Website [Online] Available Website: <http://store.magpul.com/product/MAG413/rails>; Last Update: Unknown; Accessed on: Sep. 17, 2014.

Magpul RVG Rail Vertical Grip Magpul Industries Corporation (Admitted Prior Art) RVG® —Rail Vertical Grip; Website [Online] Available Website: <http://store.magpul.com/product/MAG412/rails>; Last Update: Unknown; Accessed on: Sep. 17, 2014.

Mako Group Israeli Defense Forces Pistol Grip Mako Group (Admitted Prior Art) Israeli Defense Forces Pistol Grip for M16/M4/AR-15; Website [Online] Available Website: <http://www.themakogroup.com/Detail.aspx?PROD=1042609&CAT=8667>; Last Update: Unknown; Accessed on: Sep. 4, 2014.

Mako Group Magazine Well Grip Magwell Funnel Mako Group (Admitted Prior Art) Magazine Well Grip and Magwell Funnel for M16/M4/AR-15; Website [Online] Available Website: <http://www.themakogroup.com/Detail.aspx?PROD=1042801>; Last Update: Unknown; Accessed on: Sep. 18, 2014.

Mako Group Quick Release Ergonomic Vertical Foregrip Mako Group (Admitted Prior Art) Quick Release Ergonomic Vertical Foregrip; Website [Online] Available Website: <http://www.themakogroup.com/Detail.aspx?PROD=1042622>; Last Update: Unknown; Accessed on: Sep. 18, 2014.

Mako Group Quick Release Tactical Vertical Grip Mako Group (Admitted Prior Art) Quick Release Tactical Vertical Grip with Battery Compartment; Website [Online] Available Website: <http://www.themakogroup.com/Detail.aspx?PROD=1042885>; Last Update: Unknown; Accessed on: Sep. 18, 2014.

Mako Group Rubberized Pistol Grip M16 M4 AR-15 Mako Group (Admitted Prior Art) Rubberized Pistol Grip for M16/M4/AR-15; Website [Online] Available Website: <http://www.themakogroup.com/Detail.aspx?PROD=1042623&CAT=8667>; Last Update: Unknown; Accessed on: Sep. 4, 2014.

Mako Group Tactical Pivoting QR Vertical Foregrip Mako Group (Admitted Prior Art) Tactical Pivoting QR Vertical Foregrip with Integrated Adjustable Bipod—Gen 2; Website [Online] Available Website: <http://www.themakogroup.com/Detail.aspx?PROD=1042875>; Last Update: Unknown; Accessed on: Sep. 18, 2014.

Mako Group Tactical Vertical Foregrip Mako Group (Admitted Prior Art) Tactical Vertical Foregrip with Integrated Adjustable Bipod and 1" flashlight adapter—Gen 2; Website [Online] Available Website: <http://www.themakogroup.com/Detail.aspx?PROD=1042874>; Last Update: Unknown; Accessed on: Sep. 18, 2014.

MidwayUSA 2011 Hogue OverMolded Pistol Grip AR-15 Rubber MidwayUSA (Nov. 13, 2011) Hogue OverMolded Pistol Grip AR-15 Rubber; Website [Online] Available Website: <http://www.midwayusa.com/product/1151348749/hogue-overmolded-pistol-grip-ar-15-rubber>; Last Update: Dec. 12, 2013; Accessed on: Sep. 8, 2014.

(56)

References Cited

OTHER PUBLICATIONS

MidwayUSA_2012_Beretta_Vertical_Forend_Grip_w_Logo
MidwayUSA (Mar. 26, 2012) Beretta Vertical Forend Grip 2-Position Folding Beretta Cx4 Storm with Beretta Logo; Website [Online] Available Website: <http://www.midwayusa.com/product/523585/beretta-vertical-forend-grip-2-position-folding-beretta-cx4-storm-with-beretta-logo>; Last Update: Nov. 4, 2012; Accessed on: Sep. 17, 2014.

MidwayUSA_2013_Advanced_Technology_Vertical_Forend_Grip
MidwayUSA (Mar. 17, 2013) Advanced Technology Vertical Forend Grip 5-Position Folding Fits Picatinny Rail Polymer; Website [Online] Available Website: <http://www.midwayusa.com/product/111125747/advanced-technology-vertical-forend-grip-5-position-folding-fits-picatinny-rail-polymer>; Last Update: Jun. 2, 2013; Accessed on: Sep. 17, 2014.

MidwayUSA_2013_Mission_First_Tactical_G27_Tactical_Pistol_Grip
MidwayUSA (Jan. 1, 2013) Mission First Tactical G27 Tactical Pistol Grip with Storage Compartment AR-15 Polymer; Website [Online] Available Website: <http://www.midwayusa.com/product/3022325112/mission-first-tactical-g27-tactical-pistol-grip-with-storage-compartment-ar-15-polymer>; Last Update: Oct. 26, 2013; Accessed: Oct. 10, 2014.

MidwayUSA_2014_Hogue_Overmolded_Grip
MidwayUSA (Sep. 4, 2014) Hogue Overmolded Grip & G10 Grip; Website [Online] Available Website: <http://media.midwayusa.com/productimages/880x660/Primary/493/493634.jpg>; Last Update: Unknown; Accessed on: Sep. 22, 2014.

Mission_First_Tactical_2011_MFT_Classic_VG1
Mission First Tactical (Oct. 28, 2011) MFT Classic TM VG1 Quick Detach Vertical Grip; Website [Online] Available Website: <http://www.missionfirsttactical.com/Products/Vertical-Grips/Quick-Detach-Vertical-Grip>; Last Update: Unknown; Accessed on: Sep. 18, 2014.

Mission_First_Tactical_2011_React_Folding_Grip
Mission First Tactical (Oct. 28, 2011) React TM Folding Grip; Website [Online] Available Website: <http://www.missionfirsttactical.com/Products/Vertical-Grips/RAECT-Folding-Grip>; Last Update: Unknown; Accessed on: Sep. 18, 2014.

Mission_First_Tactical_2011_React_Full_Size_Grip
Mission First Tactical (Oct. 28, 2011) React TM Full Size Grip; Website [Online] Available Website: <http://www.missionfirsttactical.com/Products/Vertical-Grips/REACT-Ergonomic-Vertrical-Grip>; Last Update: Unknown; Accessed on: Sep. 18, 2014.

Mission_First_Tactical_2011_React_Magwell_Grip
Mission First Tactical (Oct. 28, 2011) React TM Magwell Grip; Website [Online] Available Website: <http://www.missionfirsttactical.com/Products/Vertical-Grips/REACT-Magwell-Grip>; Last Update: Apr. 23, 2013; Accessed on: Sep. 18, 2014.

Mission_First_Tactical_2011_React_Short_Grip
Mission First Tactical (Oct. 28, 2011) React TM Short Grip; Website [Online] Available Website: <http://www.missionfirsttactical.com/Products/Vertical-Grips/REACT-Short-Vertical-Grip>; Last Update: Unknown; Accessed on: Sep. 18, 2014.

Mission_First_Tactical_2011_React_Torch_Grip
Mission First Tactical (Oct. 28, 2011) React TM Torch Grip; Website [Online] Available Website: <http://www.missionfirsttactical.com/Products/Vertical-Grips/REACT-Torch-and-Vertical-Grip>; Last Update: Unknown; Accessed on: Sep. 18, 2014.

Ozark_Surplus_M16_M16A1_Original_Pistol_Grip
Ozark Surplus (Admitted Prior Art) M16/M16A1 Original Pistol Grip; Website [Online] Available Website: <http://www.ozarksurplus.com/M16-M16A1-Original-Pistol-Grip-M16PSTLGRP.htm>; Last Update: Unknown; Accessed on: Sep. 4, 2014.

Pro_Mag_Industries_2014_PM007_AR-15_M16_Swiss_Pattern
Pro Mag Industries (Feb. 10, 2014) PM007-AR-15/M16 "Swiss Pattern" Vertical Fore Grip—Black Polymer; Website [Online] Available Website: <http://promagindustries.com/ar-15-accessories/156-ar-15m16-swiss-pattern-vertical-fore-grip-black-polymer.html>; Last Update: Jul. 1, 2014; Accessed on: Sep. 18, 2014.

Pro_Mag_Industries_2014_PM191_Picatinny_Rail_Vertical_Fore_Grip
Pro Mag Industries (Feb. 13, 2014) PM191—Picatinny Rail Vertical Fore Grip and Adapter; Website [Online] Available Website: <http://promagindustries.com/rail-adapters/354-picatinny-rail-vertical-fore-grip-and-adapter.html>; Last Update: Jul. 2, 2014; Accessed on: Sep. 18, 2014.

Samson_Evolution_Vertical_Grip_AL_Short
Samson Manufacturing (Admitted Prior Art) Evolution Vertical Grip (AL short); Website [Online] Available Website: http://www.samson-mfg.com/mm5/merchant.mvc?Screen=PROD&Store_Code=SM&Product_Code=Evolution-Grip-VG02s&Category_Code=EVOLUTION_ACCESSORIES; Last Update: Unknown; Accessed on: Sep. 18, 2014.

Samson_Evolution_Vertical_Grip_Long
Samson Manufacturing (Admitted Prior Art) Evolution Vertical Grip (Al Long); Website [Online] Available Website: http://www.samson-mfg.com/mm5/merchant.mvc?Screen=PROD&Store_Code=SM&Product_Code=Evolution-Grip-VG02&Category_Code=EVOLUTION_ACCESSORIES; Last Update: Unknown; Accessed on: Sep. 18, 2014.

Samson_Evolution_Vertical_Grip_Plastic_Long
Samson Manufacturing (Admitted Prior Art) Evolution Vertical Grip (Plastic Long); Website [Online] Available Website: http://www.samson-mfg.com/mm5/merchant.mvc?Screen=PROD&Store_Code=SM&Product_Code=Evolution-Grip-VG01&Category_Code=EVOLUTION_ACCESSORIES; Last Update: Unknown; Accessed on: Sep. 18, 2014.

Sog_Armory_ABS_Vertical_Grip
Sog Armory (Admitted Prior Art) SOG ABS Vertical Grip; Website [Online] Available Website: <http://www.sogarmory.com/Product.aspx?ProductId=101226&Catid=0&ParentId=0>; Last Update: Unknown; Accessed on: Sep. 18, 2014.

Sog_Armory_Graphite_Vertical_Grip
Sog Armory (Admitted Prior Art) SOG Graphite Vertical Grip With Quick Detach Lockdown Post; Website [Online] Available Website: <http://www.sogarmory.com/Product.aspx?ProductId=101452&Catid=0&ParentId=0>; Last Update: Unknown; Accessed on: Sep. 18, 2014.

SureFire_2012_M900L_Vertical_Foregrip_LED_WeaponLight
SureFire (Dec. 16, 2012) M900L Vertical Foregrip LED WeaponLight; Website [Online] Available Website: <http://www.surefire.com/m9001-weaponlight.html>; Last Update: Sep. 7, 2013; Accessed on: Sep. 18, 2014.

SureFire_2012_M900LT_Vertical_Foregrip_LED_WeaponLight_Extended_Range
SureFire (Dec. 7, 2012) M900LT Vertical Foregrip LED WeaponLight—Extended Range; Website [Online] Available Website: <http://www.surefire.com/m9001t-weaponlight.html>; Last Update: Aug. 10, 2014; Accessed on: Sep. 18, 2014.

SureFire_2012_M900V_Vertical_Foregrip_LED_WeaponLight
SureFire.com (Jul. 2, 2012) M900V Vertical Foregrip LED WeaponLight—White and IR Output; Website [Online] Available Website: <http://www.surefire.com/m900v.html>; Last Update: Oct. 4, 2013; Accessed on: Sep. 18, 2014.

Tacstar_2014_AR-15_Tactical_Front_Rear_Grips
TacStar (Sep. 8, 2014) AR-15 Tactical Front & Rear Grips; Website [Online] Available Website: <http://www.tacstar.com/home/ar-15-grip.php>; Last update: Unknown; Accessed on: Sep. 18, 2014.

TangoDown_2013_TangoDown_BattleGrip_BG-16
TangoDown (Oct. 28, 2013) TangoDown Battlegrip BG-16; Website [Online] Available Website: <http://tangodown.com/shop/tangodown-battlegrip-bg-16/>; Last Update: Unknown; Accessed on: Sep. 4, 2014.

Tapco_2011_Vertical_Grip_Black
Tapco (Nov. 6, 2011) Vertical Grip—Black; Website [Online] Available Website: http://www.tapco.com/products/gear/index.php?_a=viewProd&productId=279; Last Update: Oct. 6, 2013; Accessed on: Sep. 18, 2014.

Tapco_2011_Vertical_Grip_Short_Black
Tapco (Admitted Prior Art) Vertical Grip, Short—Black; Website [Online] Available Website: http://www.tapco.com/products/index.php?_a=viewProd&productId=282; Last Update: Unknown; Accessed on: Sep. 18, 2014.

(56)

References Cited

OTHER PUBLICATIONS

Tapco_Vertical_Grip_and_Bipod Tapco (Admitted Prior Art) Vertical Grip and Bipod; Website [Online] Available Website: http://www.tapco.com/products/gear/index.php?_a=viewProd&productId=293; Last Update: Unknown; Accessed on: Sep. 18, 2014.

Tapco_Vertical_Grip_Bipod Tapco (Admitted Prior Art) Vertical Grip Bipod; Website [Online] Available Website: http://www.tapco.com/products/gear/index.php?_a=viewProd&productId=236; Last Update: Unknown; Accessed on: Sep. 18, 2014.

Troy_2014_Grip_CQB_Vertical_Aluminum_Black Troy Industries (Apr. 23, 2014) Grip, CQB Vertical, Aluminum —Blk; Website [Online] Available Website: <https://troyind.com/products/grip-cqb-vertical-aluminum-blk>; Last Update: Unknown; Accessed on: Sep. 18, 2014.

Troy_2014_Modular_Combat_Grip_Black Troy Industries (Apr. 23, 2014) Modular Combat Grip-Blk; Website [Online] Available Website: <https://troyind.com/products/modular-combat-grip-bk> Last Update: Unknown; Accessed on: Sep. 18, 2014.

Design U.S. Appl. No. 29/410,910, filed Jan. 13, 2012, “PMAG 30M3 Firearm Magazine” by Fitzpatrick.

Design U.S. Appl. No. 29/420,155, filed May 4, 2012, “Translucent Magazine for a Firearm” by Fitzpatrick.

Design U.S. Appl. No. 29/423,116, filed May 29, 2012, “M3 10 Magazine” by Bennett.

Design U.S. Appl. No. 29/423,117, filed May 29, 2012, “M3 20 Magazine” by Bennett.

Design U.S. Appl. No. 29/440,787, filed Dec. 27, 2012, “Firearm Magazine” by Mayberry.

Design U.S. Appl. No. 29/440,889, filed Dec. 28, 2012, “Firearm Magazine” by Kielsmeier.

Design U.S. Appl. No. 29/440,792, filed Dec. 27, 2012, “Firearm Magazine with Window” by Kielsmeier.

Design U.S. Appl. No. 29/450,963, filed Mar. 26, 2013, “Magazine for a Firearm” by Nakayama.

Design U.S. Appl. No. 29/450,964, filed Mar. 26, 2013, “Magazine for a Firearm” by Nakayama.

VISM_QR_Vertical_Grip VISM (Admitted Prior Art) QR Vertical Grip; Website [Online] Available Website: <http://vism.com/vism-product/product-list-MountAccToolsHG.aspx?productseries=QR%20Vertical%20Grip>; Last Update: Unknown; Accessed on: Sep. 18, 2014.

Wikipedia_2003_AK-47 Wikipedia (Dec. 29, 2003) AK-47; Website [Online] Available Website: <http://en.wikipedia.org/wiki/AK-47>; Last Update: Aug. 28, 2014; Accessed: Sep. 4, 2014.

Wikipedia_2005_ArmaLite_AR-18 Wikipedia (Dec. 15, 2005) ArmaLite AR-18; Website [online] Available Website: http://en.wikipedia.org/wiki/ArmaLite_AR-18; Last Update: Oct. 24, 2013; Accessed on: Sep. 4, 2014.

Wikipedia_2005_Heckler_Koch_MP5 Wikipedia (Mar. 31, 2005) Heckler & Koch MP5; Website [Online] Available Website: http://en.wikipedia.org/wiki/Heckler_%26_Koch_MP5; Last Update: Aug. 17, 2014; Accessed on: Sep. 8, 2014.

Wikipedia_2007_Heckler_Koch_HK416 Wikipedia (Oct. 15, 2007) Heckler & Koch HK416; Website [Online] Available Website: http://en.wikipedia.org/wiki/Heckler_%26_Koch_HK416; Last Update: May 29, 2014; Accessed on: Sep. 22, 2014.

* cited by examiner

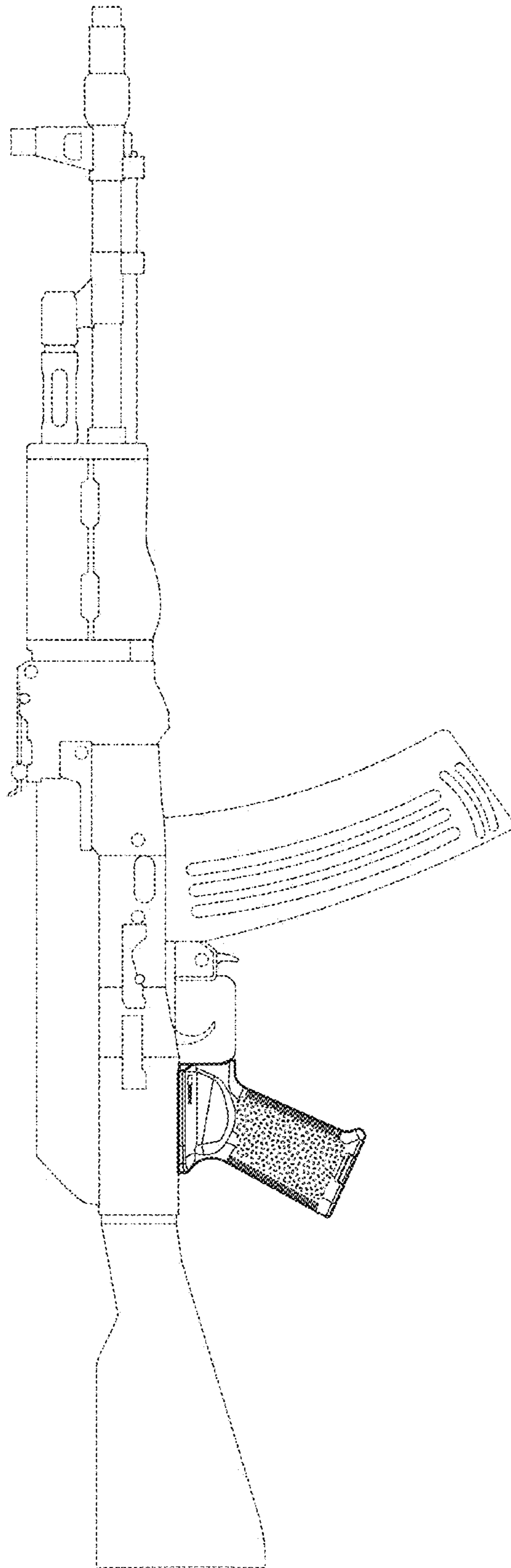


FIG. 1

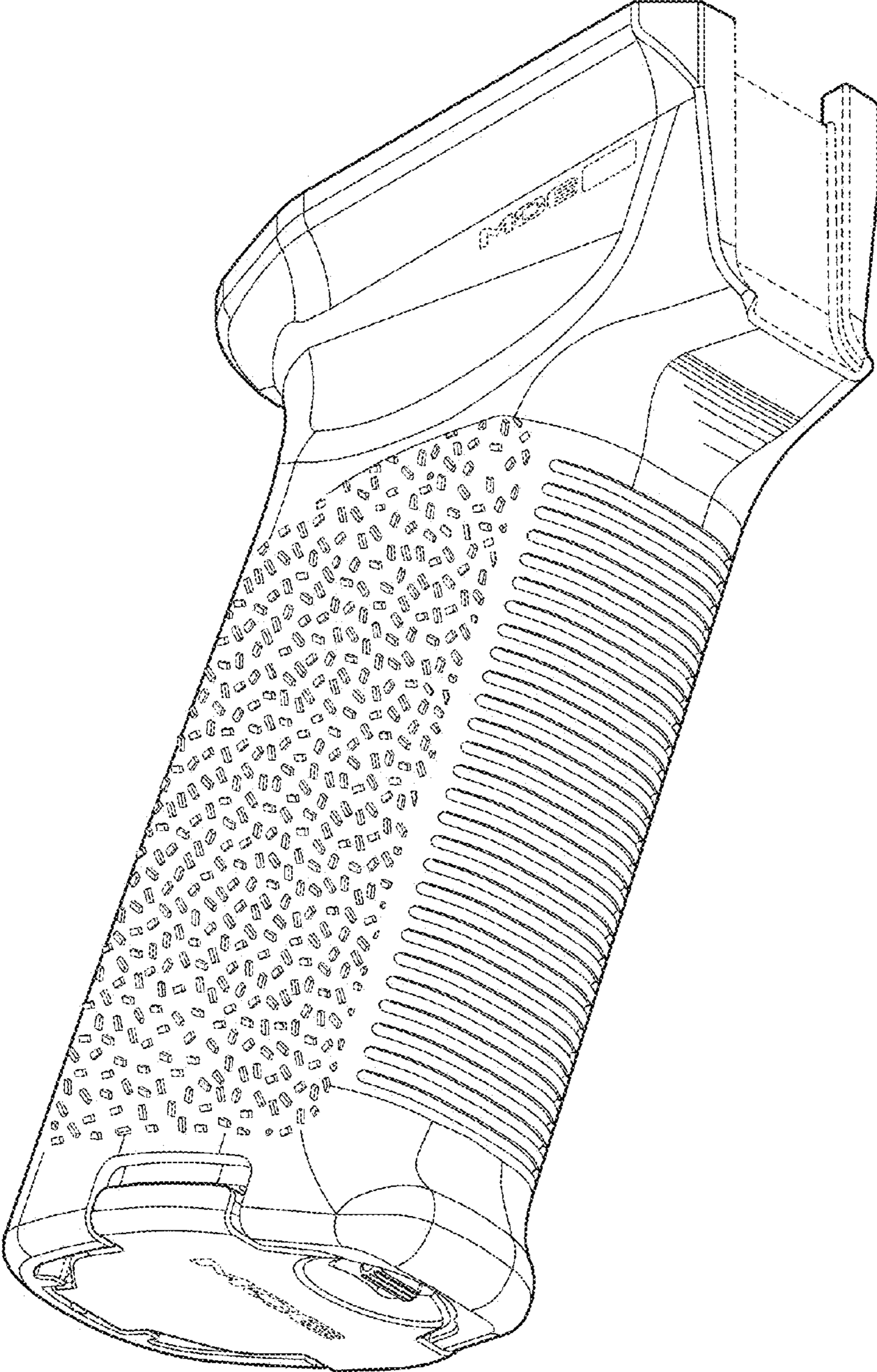


FIG. 2

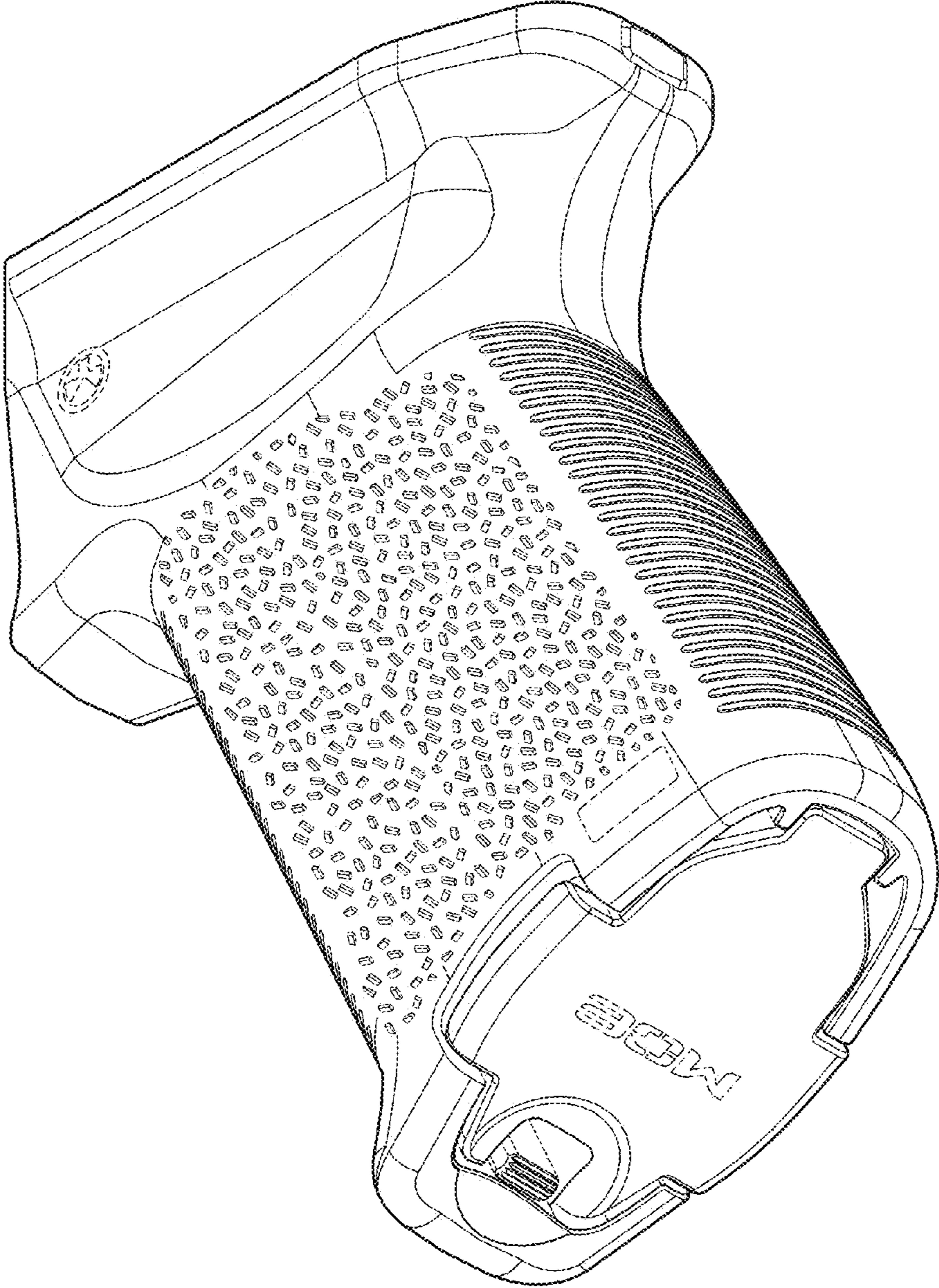


FIG. 3

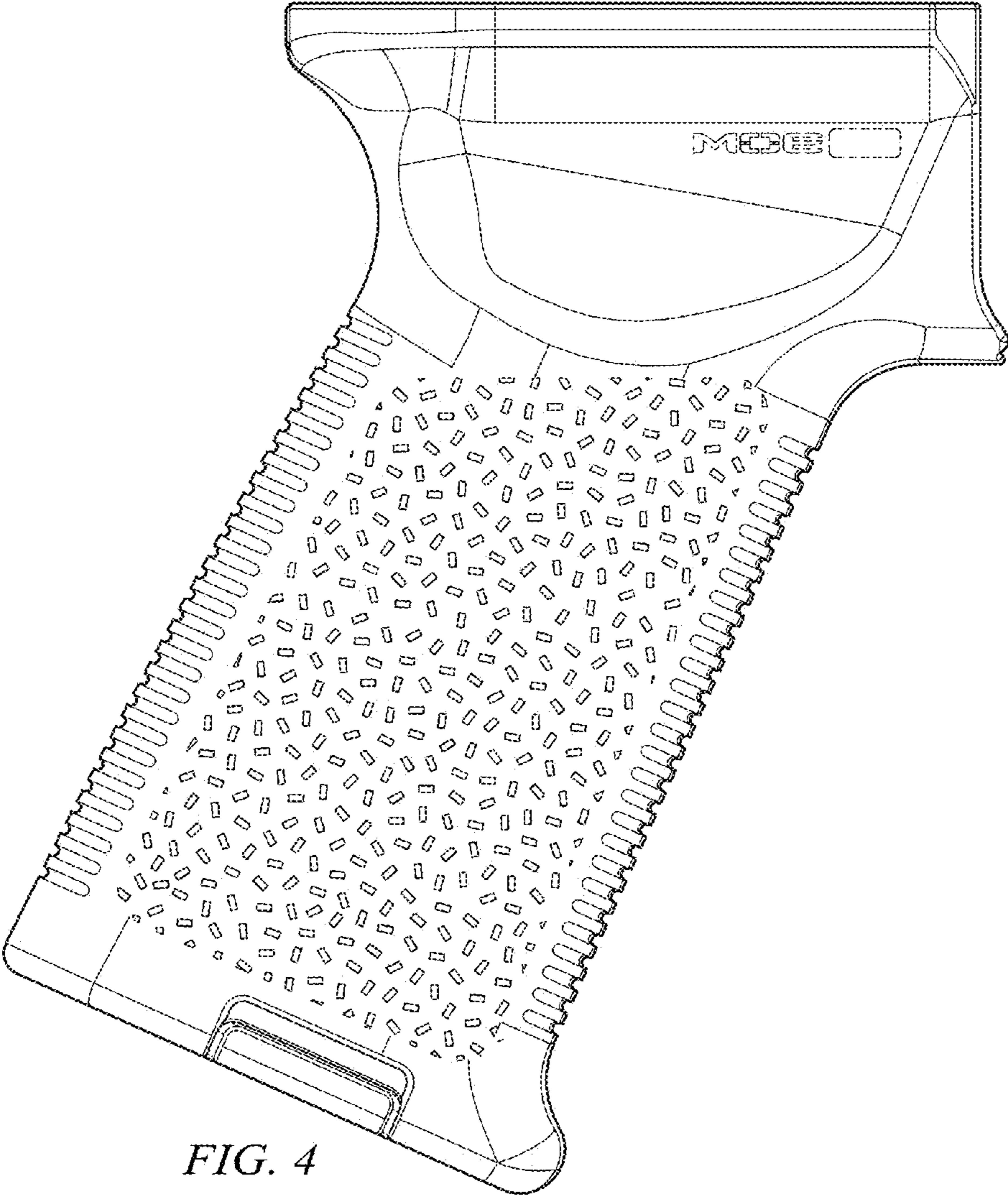


FIG. 4

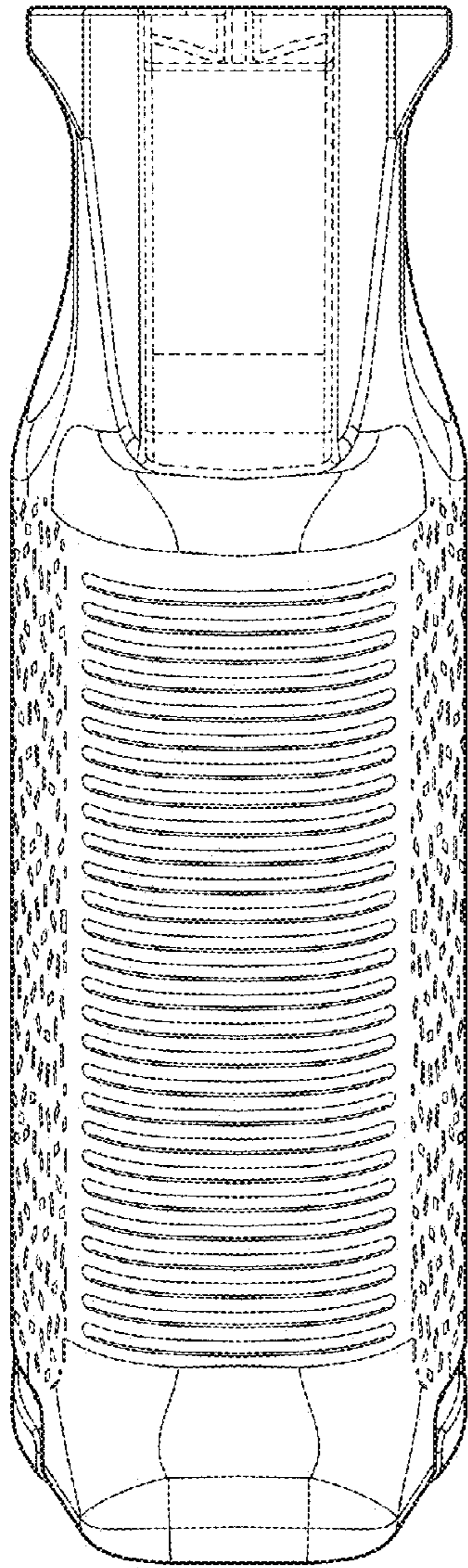


FIG. 5

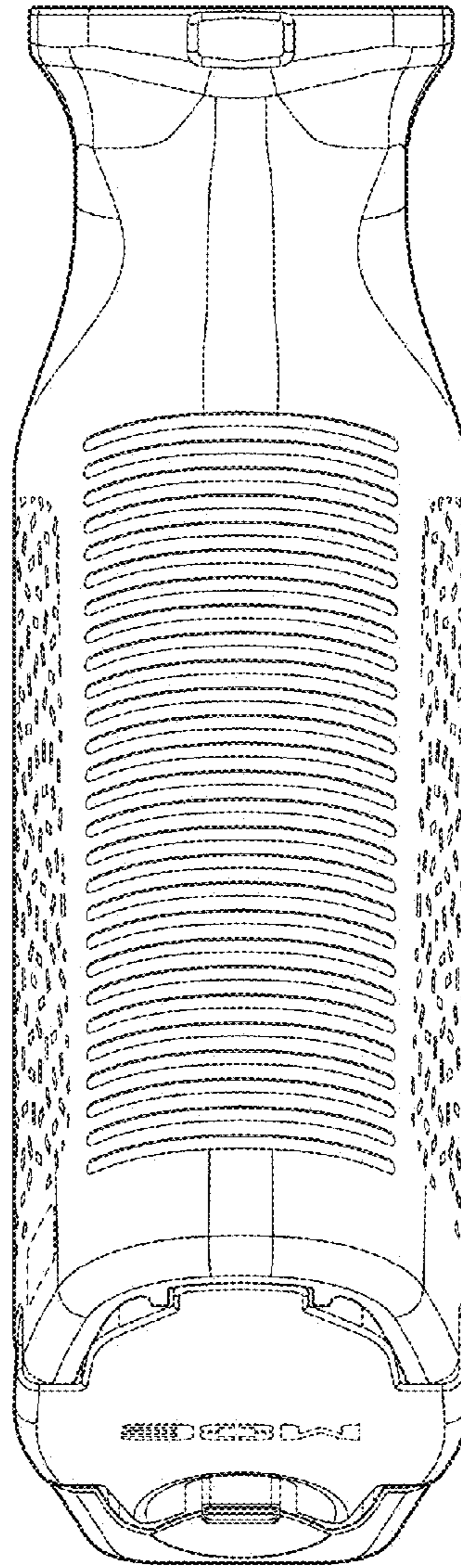


FIG. 6

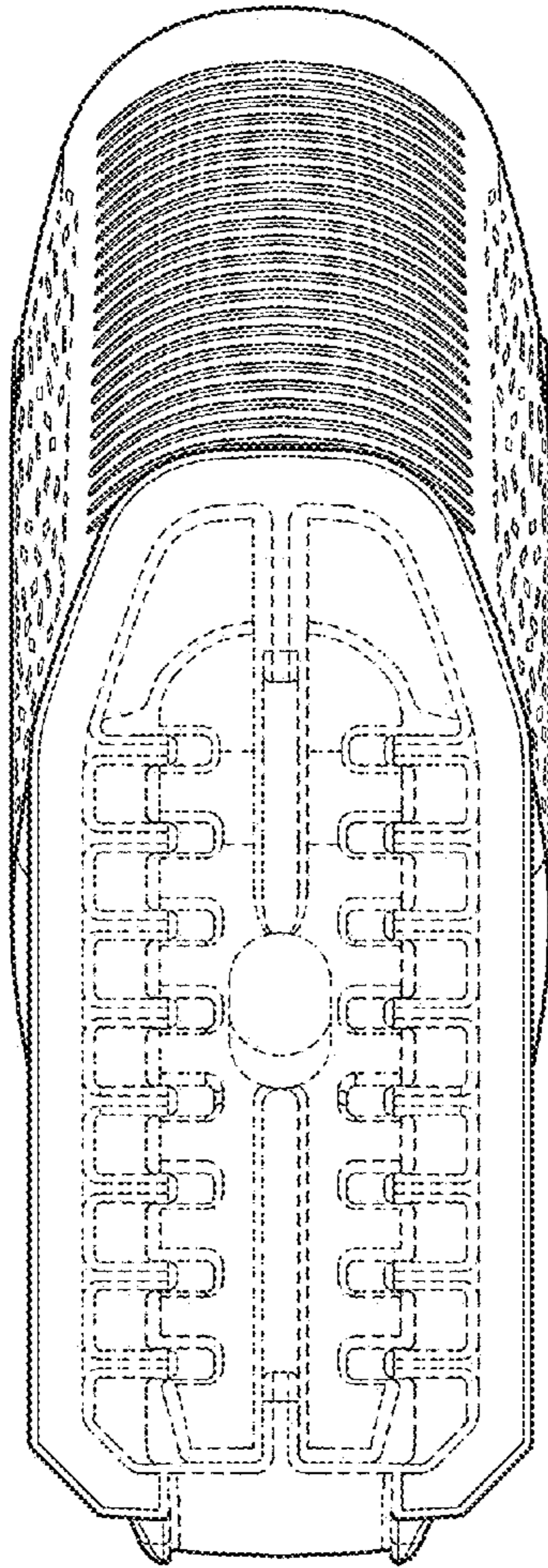


FIG. 7

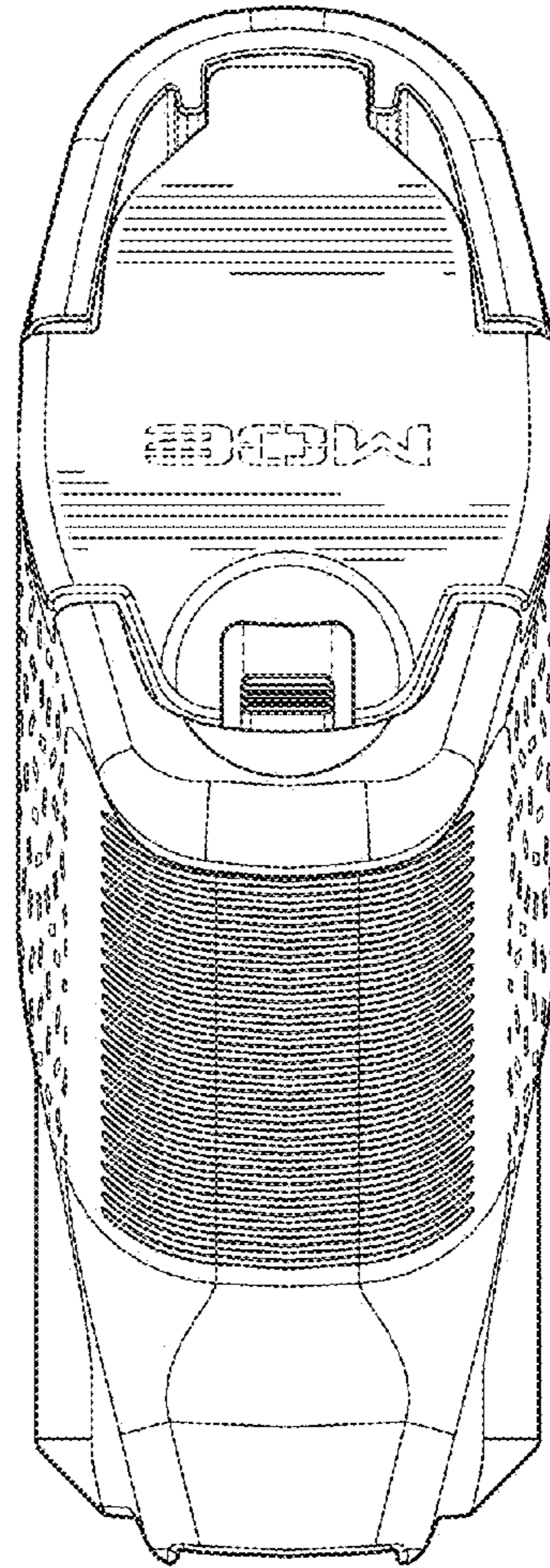


FIG. 8

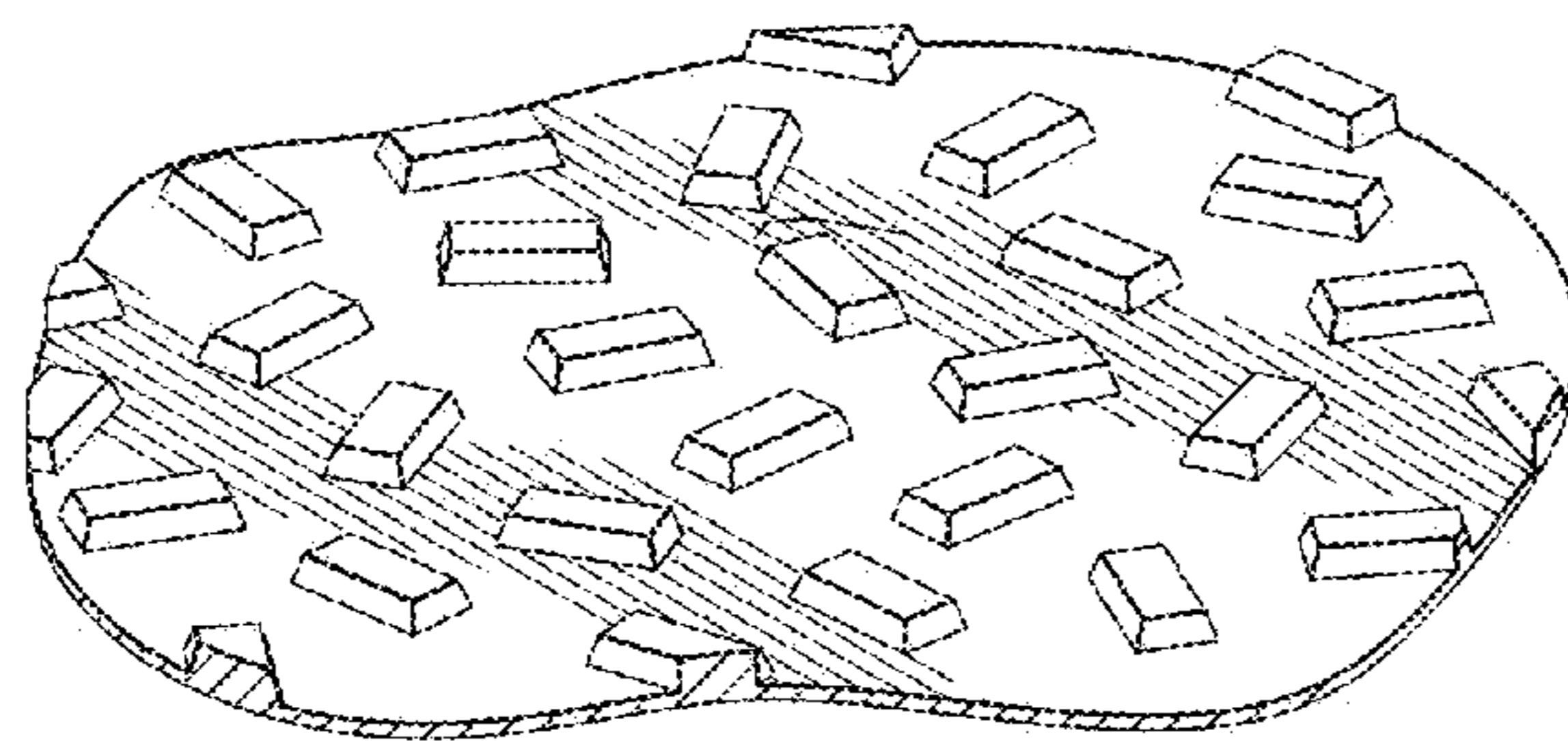


FIG. 9