



US00D722121S

(12) **United States Design Patent**
Cox

(10) **Patent No.:** **US D722,121 S**
(45) **Date of Patent:** **** Feb. 3, 2015**

(54) **GOLF TEE ADAPTOR**

FOREIGN PATENT DOCUMENTS

(71) Applicant: **Terry Allen Cox**, Reading, OH (US)

EM 000099486-0003 * 2/2004

(72) Inventor: **Terry Allen Cox**, Reading, OH (US)

JP 03090316 A * 4/1991

JP D1289396 * 12/2006

(**) Term: **14 Years**

* cited by examiner

(21) Appl. No.: **29/479,492**

Primary Examiner — Catherine Tuttle

(22) Filed: **Jan. 16, 2014**

(57) **CLAIM**

(51) **LOC (10) Cl.** **21-02**

The ornamental design for a golf tee adaptor, as shown and described.

(52) **U.S. Cl.**

USPC **D21/718**

(58) **Field of Classification Search**

USPC D21/715–721, 789–796; 473/132, 133,
473/172, 173, 174, 278, 284, 386–407, 417,
473/420

See application file for complete search history.

DESCRIPTION

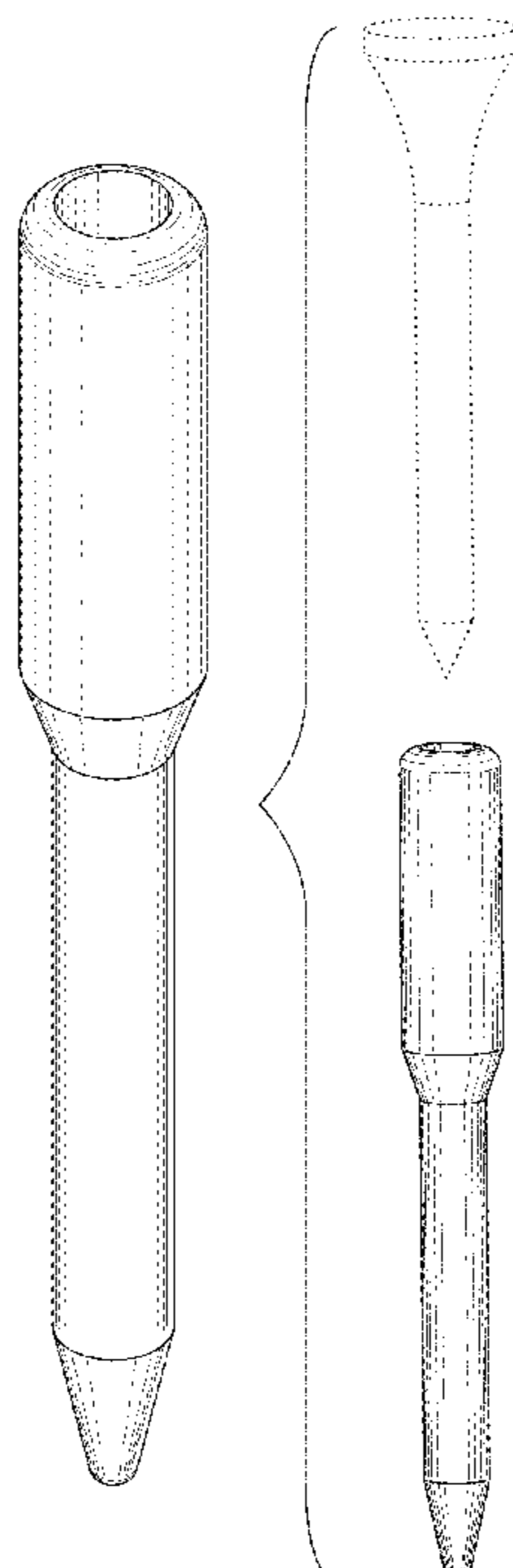
(56) **References Cited**

U.S. PATENT DOCUMENTS

D102,749	S	*	1/1937	Fay	D21/718
3,633,919	A	*	1/1972	Liccardello	473/386
4,516,780	A	*	5/1985	Tabet	473/398
D285,103	S	*	8/1986	Kurtz	D21/718
5,413,330	A	*	5/1995	Disco et al.	473/403
5,413,348	A	*	5/1995	Basso	473/393
D477,373	S	*	7/2003	Holtz	D21/717
D538,874	S	*	3/2007	Ceruti	D21/796
D618,298	S	*	6/2010	Adams	D21/796
2005/0215356	A1	*	9/2005	Bainbridge et al.	473/396
2006/0009312	A1	*	1/2006	Chotos	473/387
2006/0217217	A1	*	9/2006	Mundziakiewicz	473/396
2007/0249433	A1	*	10/2007	DeSmit	473/397
2008/0167143	A1	*	7/2008	Werner	473/401
2008/0287219	A1	*	11/2008	Gyorgyi	473/386

FIG. 1 is a top perspective view of a golf tee adaptor showing my new design;
 FIG. 2 is a bottom perspective view thereof;
 FIG. 3 is a front elevational view thereof;
 FIG. 4 is a rear elevational view thereof;
 FIG. 5 is a left elevational view thereof;
 FIG. 6 is a right elevational view thereof;
 FIG. 7 is a top plan view thereof;
 FIG. 8 is a bottom plan view thereof;
 FIG. 9 is a scaled-down front perspective view showing the design in association with a golf tee;
 FIG. 10 is an exploded perspective view of the golf tee and the golf tee adaptor in FIG. 9; and,
 FIG. 11 is an exploded perspective view showing the design in association with a broken golf tee.
 The broken lines showing the golf tee in FIG. 9 and FIG. 10 and showing the broken golf tee in FIG. 11 are included for the purpose of illustrating environmental structure and forms no part of the claimed design.

1 Claim, 11 Drawing Sheets



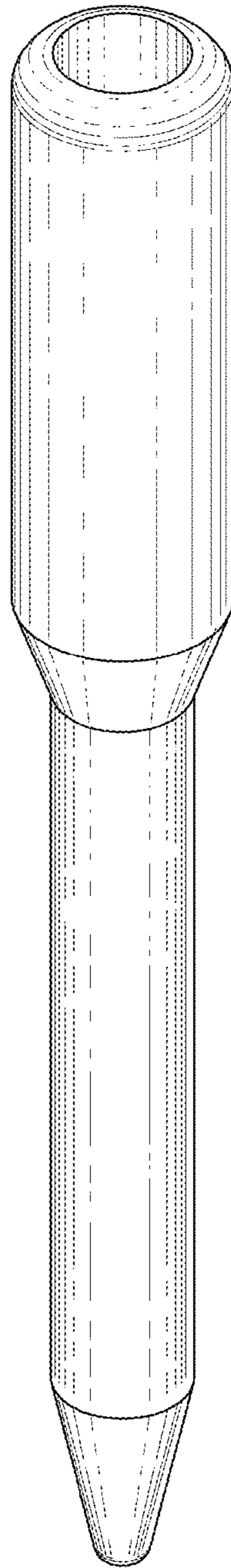


FIG. 1

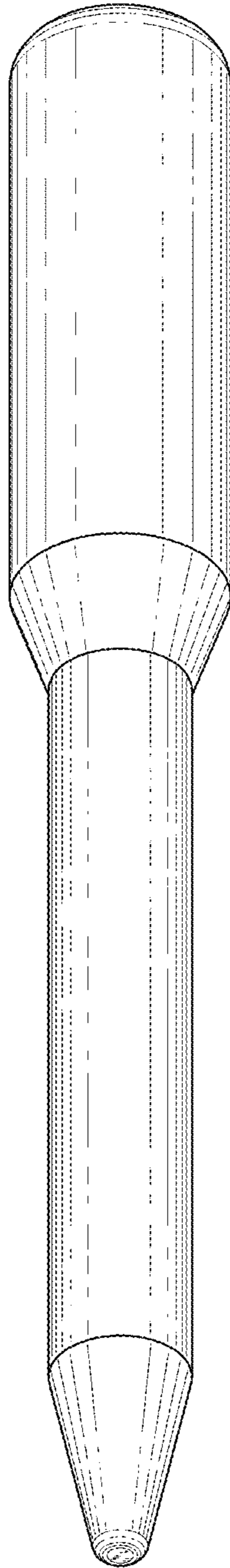


FIG. 2

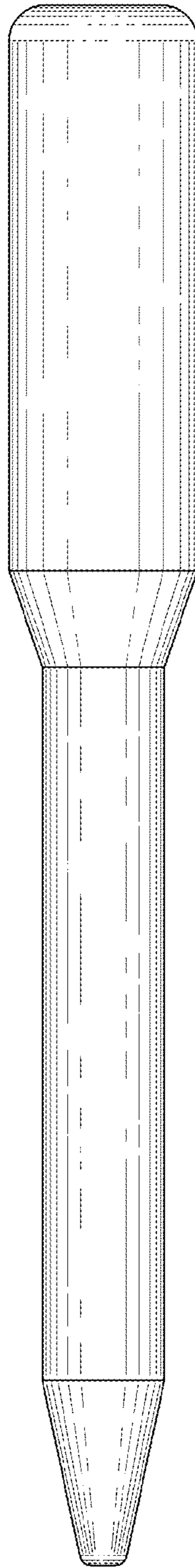


FIG. 3

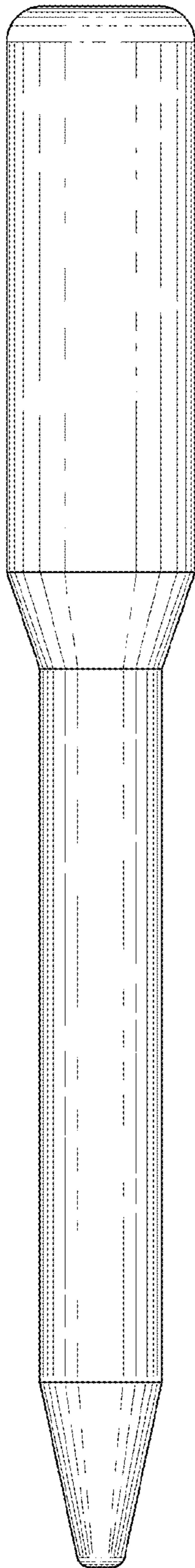


FIG. 4

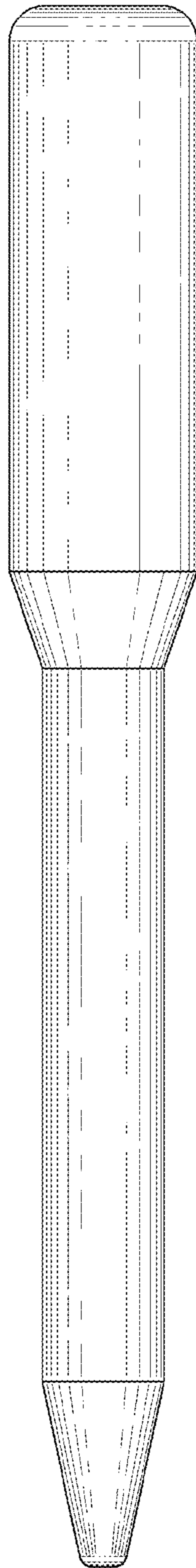


FIG. 5

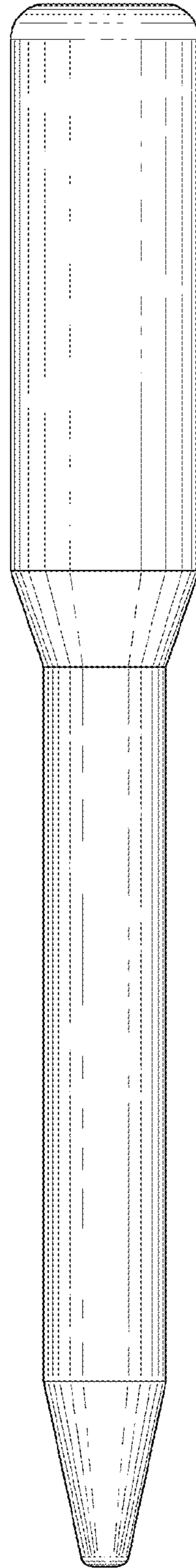


FIG. 6

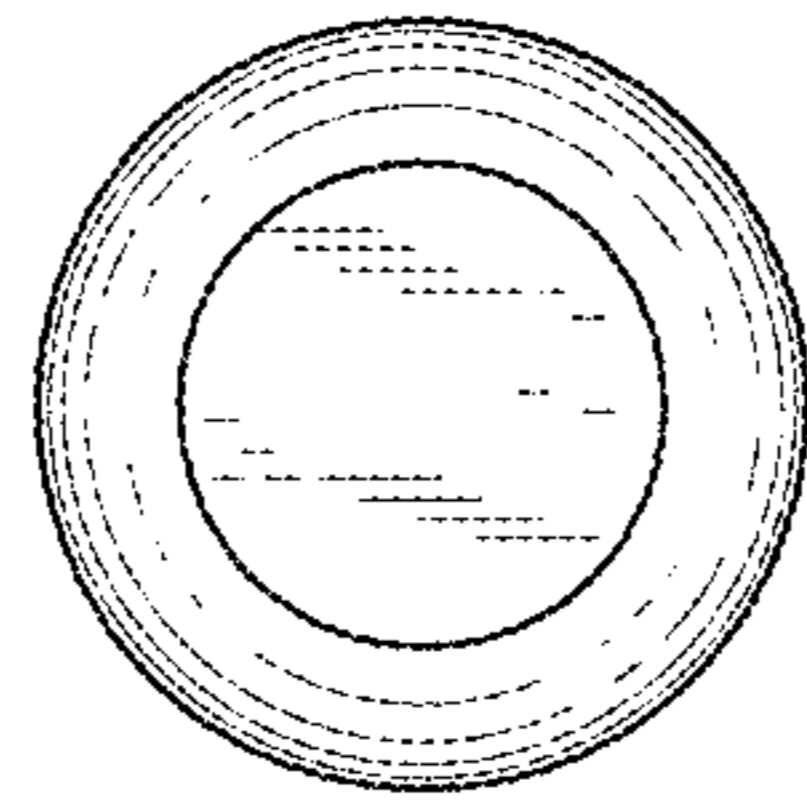


FIG. 7

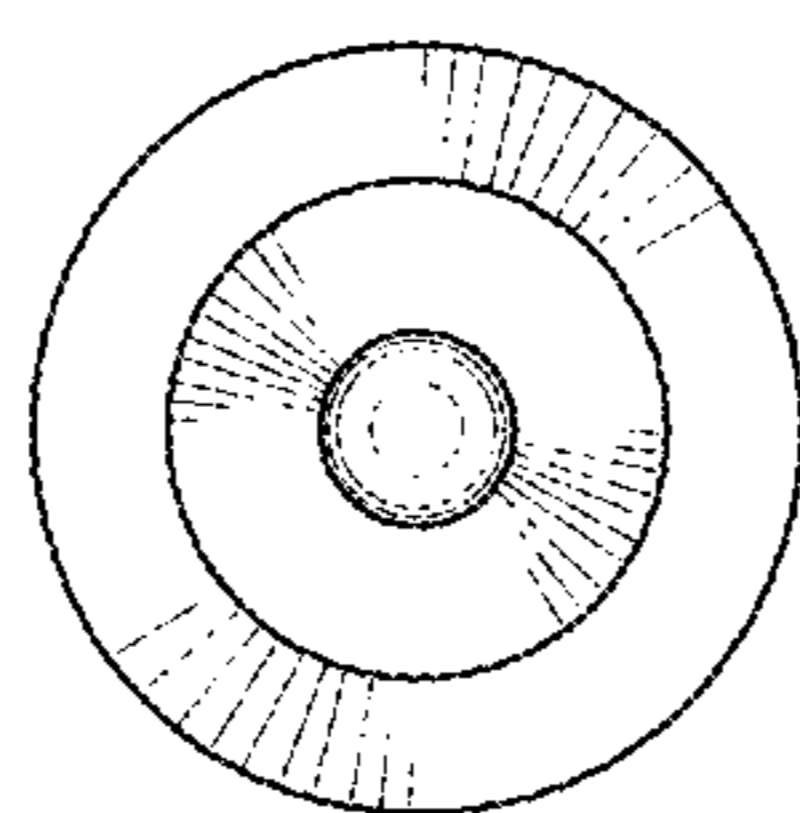


FIG. 8

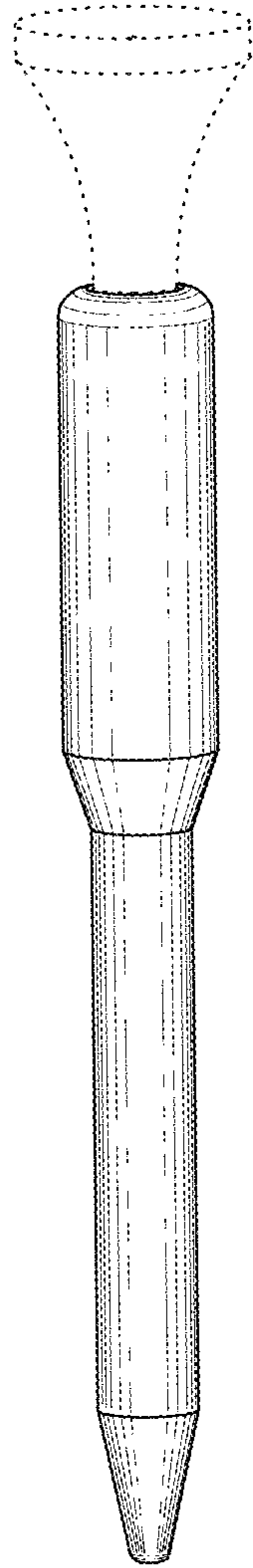


FIG. 9

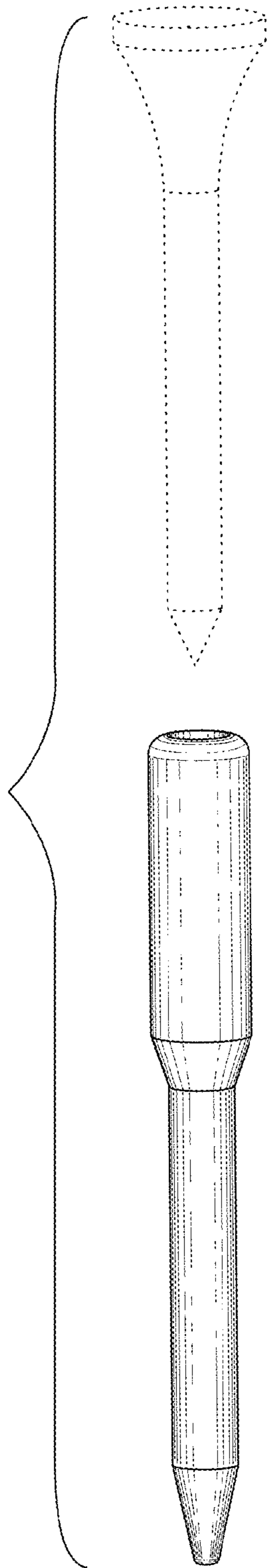


FIG. 10

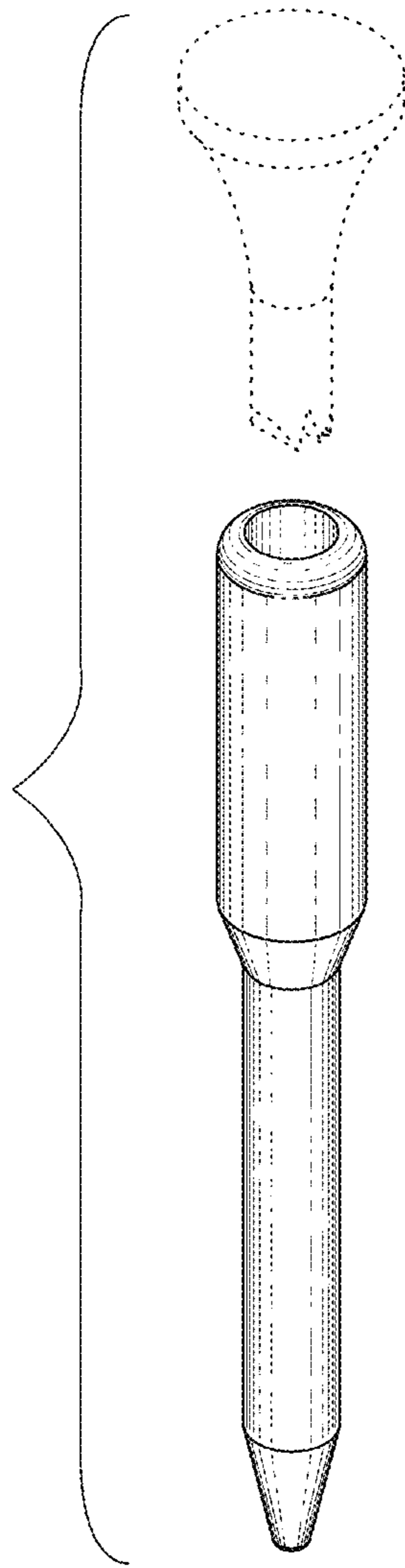


FIG. 11