



US00D722112S

(12) **United States Design Patent**
Gonzalez Sanchez et al.

(10) **Patent No.:** **US D722,112 S**
(45) **Date of Patent:** **** Feb. 3, 2015**

- (54) **WRITING GUIDE**
- (71) Applicants: **Snay Gonzalez Sanchez**, Miramar, FL
(US); **Sney Gonzalez Sanchez**,
Barquisimeto (VE)
- (72) Inventors: **Snay Gonzalez Sanchez**, Miramar, FL
(US); **Sney Gonzalez Sanchez**,
Barquisimeto (VE)
- (**) Term: **14 Years**
- (21) Appl. No.: **29/485,755**
- (22) Filed: **Mar. 21, 2014**
- (51) **LOC (10) Cl.** **19-06**
- (52) **U.S. Cl.**
USPC **D19/37**
- (58) **Field of Classification Search**
CPC G09B 11/04; G09B 11/00; G09B 21/002;
B43L 13/02
USPC D10/64; D19/37, 40; 33/562, 563, 564,
33/565, 566; 434/87, 117, 162, 163, 164,
434/165, 166
See application file for complete search history.

2,913,836	A *	11/1959	Strunk	434/117
3,376,650	A *	4/1968	Cook	33/566
3,579,867	A *	5/1971	Kuhn	434/117
3,872,611	A *	3/1975	Kuhn	434/117
3,899,839	A *	8/1975	Essmann	434/117
4,060,901	A *	12/1977	Jamerson	33/483
4,626,219	A *	12/1986	Goldreyer	434/162
4,986,005	A *	1/1991	Grippi et al.	33/563
5,027,523	A *	7/1991	MacLeod	33/564
5,961,455	A *	10/1999	Daum et al.	600/407
6,142,783	A	11/2000	Rocha	
D507,053	S *	7/2005	Åkerfeldt et al.	D24/158
7,086,172	B2 *	8/2006	Åstrom	33/563
7,287,339	B2 *	10/2007	Robertson	33/562
7,407,383	B2 *	8/2008	Bean	434/162
7,717,713	B2	5/2010	Wescott et al.	
D639,855	S *	6/2011	Fried	D19/40
8,453,334	B2 *	6/2013	Keyser et al.	33/121
8,496,482	B2	7/2013	Kinsinger	
2006/0188853	A1	8/2006	Mismas	

* cited by examiner

Primary Examiner — Elizabeth Albert

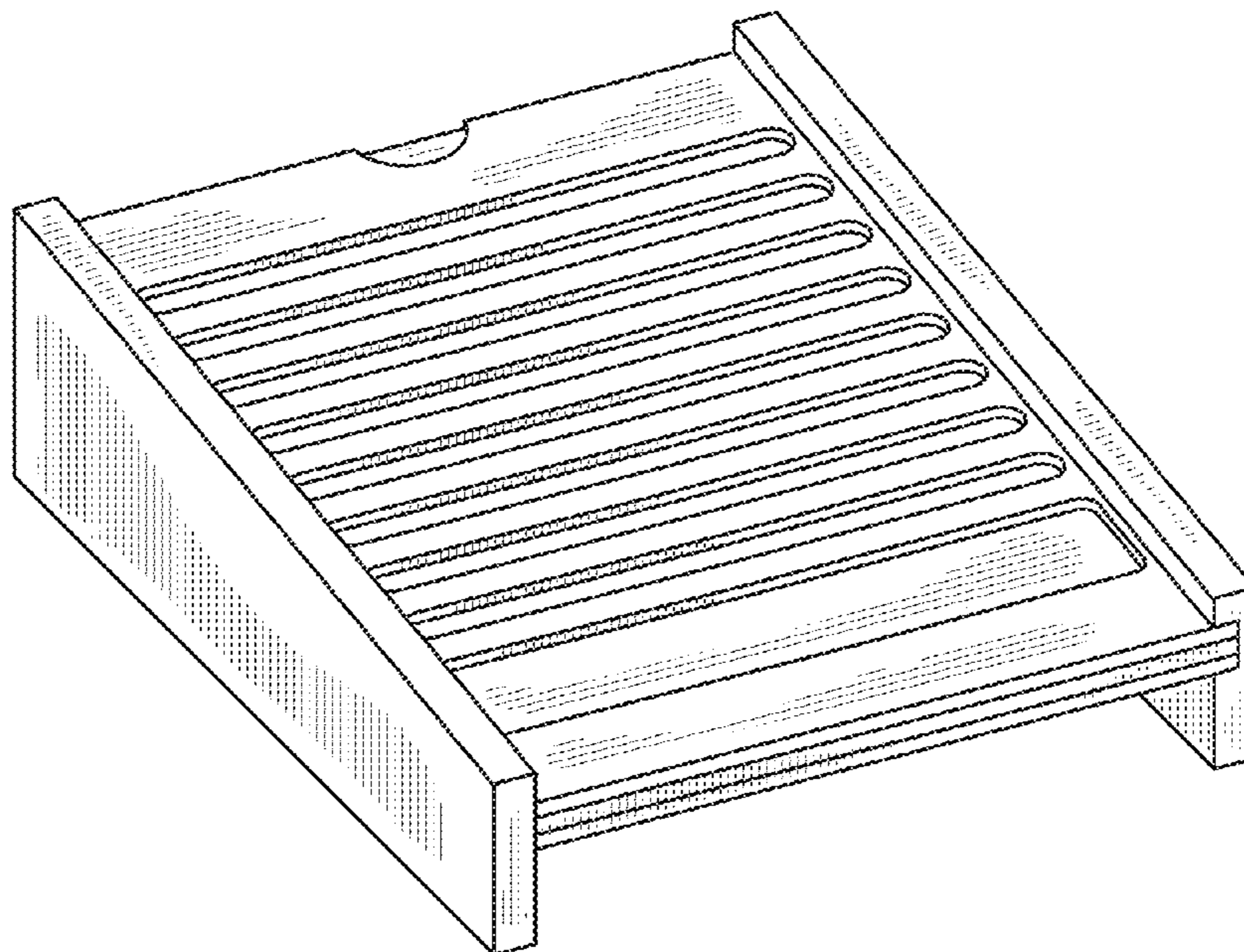
(57) **CLAIM**
The ornamental design for an writing guide, as shown and described.

DESCRIPTION

FIG. 1 is a front perspective view of a writing guide showing our new design;
FIG. 2 is a front elevation view thereof;
FIG. 3 is a rear elevation view thereof;
FIG. 4 is a left side elevation view thereof, the right side elevation view being a mirror image thereof;
FIG. 5 is a top plan view thereof; and,
FIG. 6 is a bottom plan view thereof.

1 Claim, 3 Drawing Sheets

- (56) **References Cited**
U.S. PATENT DOCUMENTS
D32,159 S * 1/1900 Nisbet D19/37
1,253,758 A * 1/1918 Wilkes 434/162
1,787,005 A * 12/1930 Kaufman 281/3.1
1,839,561 A * 1/1932 Kaufman 281/3.1
1,870,145 A * 8/1932 Sharp 434/117
2,080,093 A * 5/1937 Rose 33/566
2,532,329 A * 12/1950 Premo 33/474
D176,484 S * 12/1955 Reed D10/64



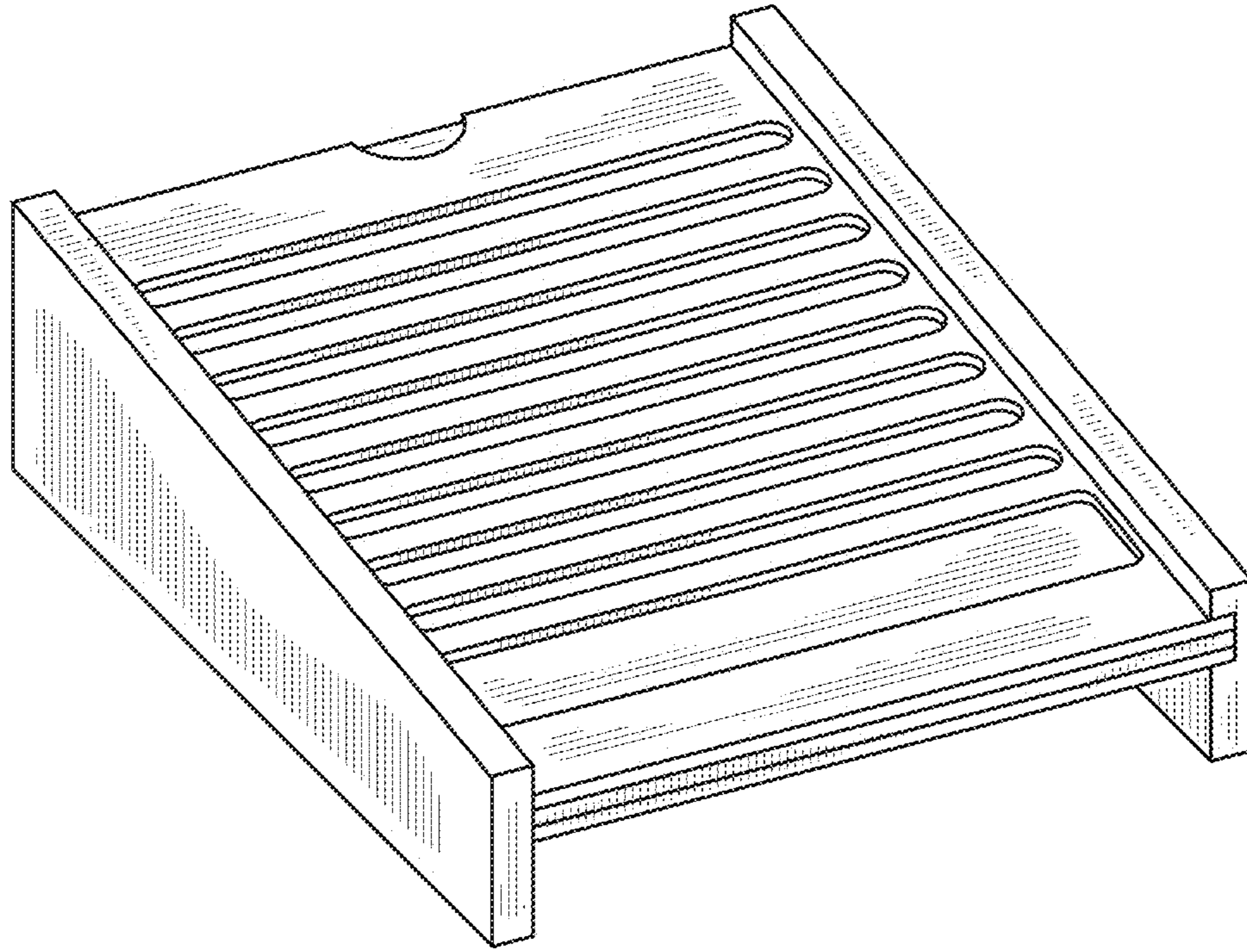


FIG. 1

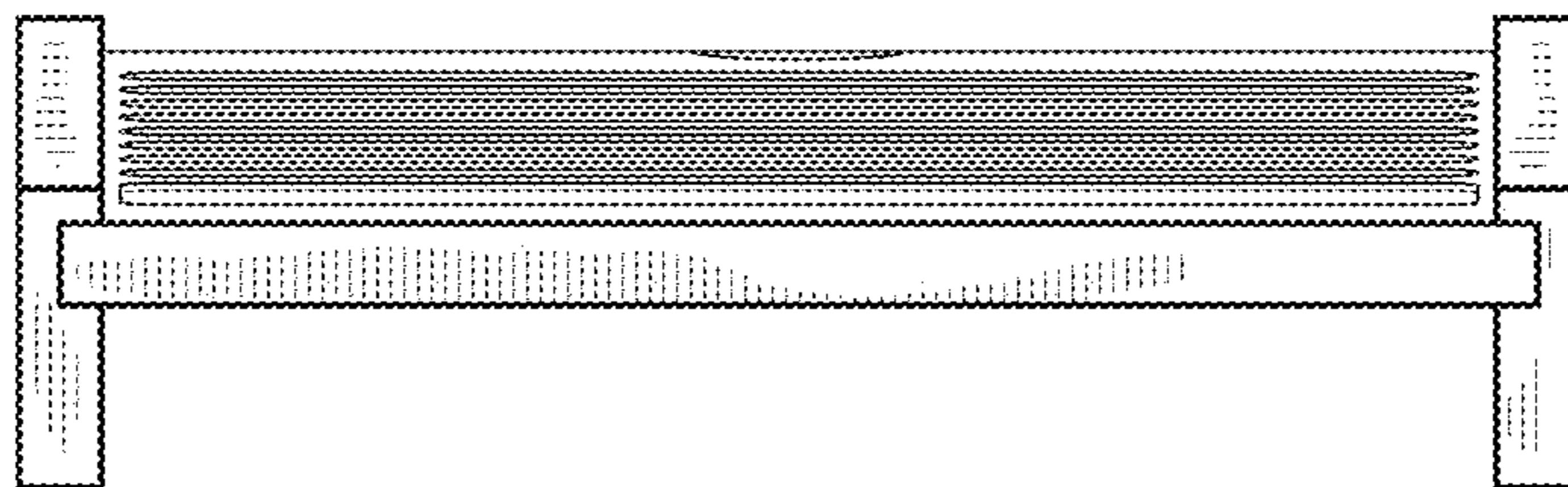


FIG. 2

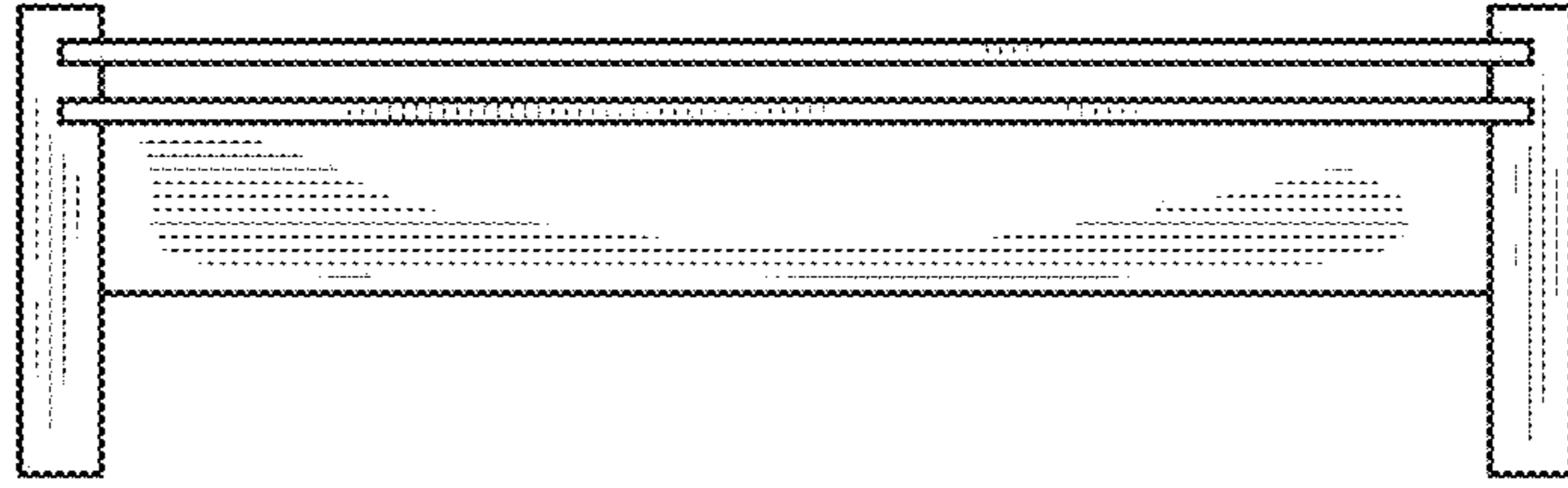


FIG. 3

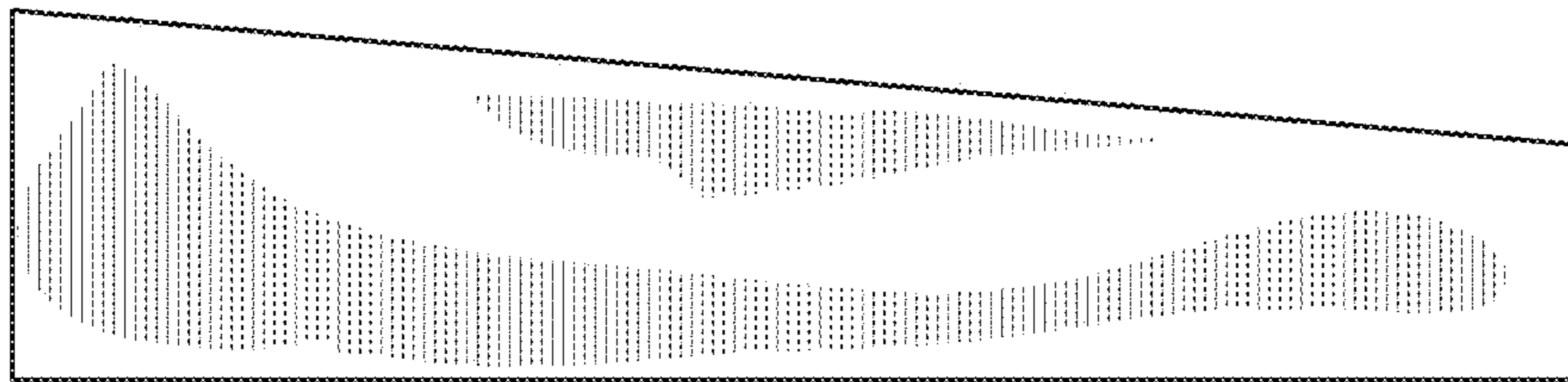


FIG. 4

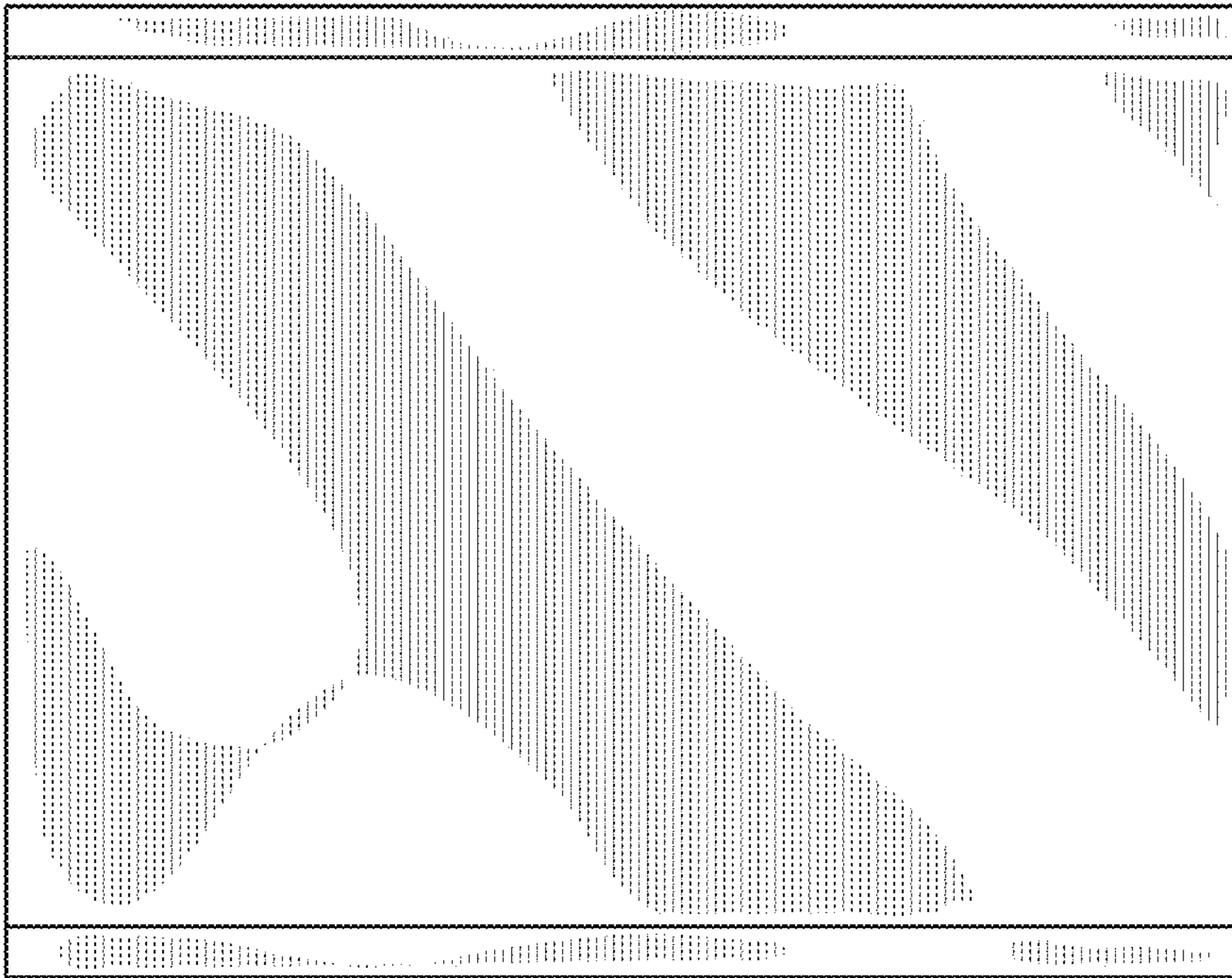


FIG. 6

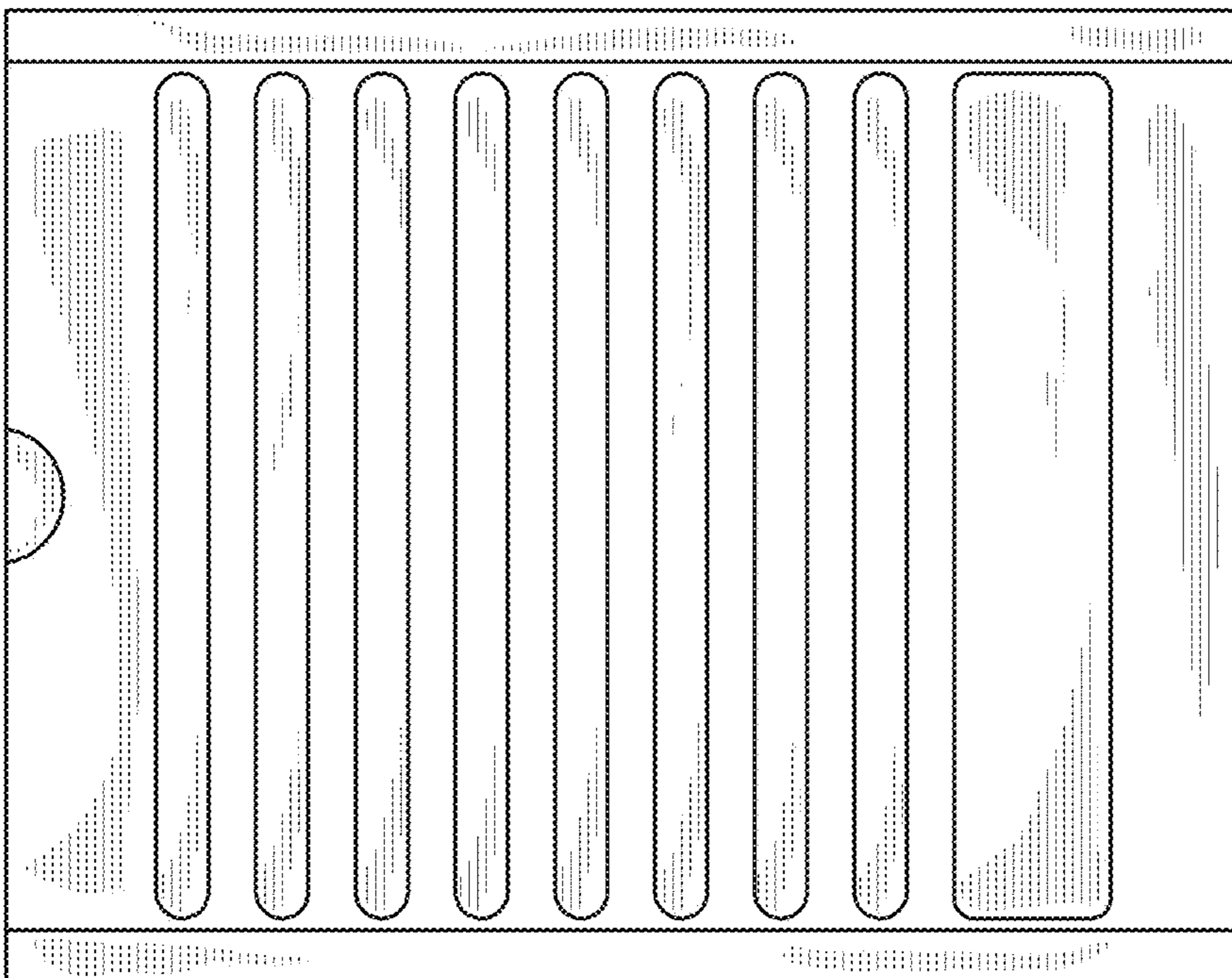


FIG. 5