



US00D722110S

(12) **United States Design Patent**
Wieland

(10) **Patent No.:** **US D722,110 S**

(45) **Date of Patent:** **** Feb. 3, 2015**

(54) **CALENDAR**

(71) Applicant: **John Wieland**, Nashville, TN (US)

(72) Inventor: **John Wieland**, Nashville, TN (US)

(**) Term: **14 Years**

(21) Appl. No.: **29/434,974**

(22) Filed: **Oct. 18, 2012**

(51) **LOC (10) Cl.** **19-03**

(52) **U.S. Cl.**
USPC **D19/20**

(58) **Field of Classification Search**

USPC 402/24, 17, 25, 13, 70; D10/71-72;
D20/1-12, 20-34; 434/304, 176, 202;
206/214, 224; 220/559; D25/136, 119,
D25/141, 164; 235/85 R; 52/716.1, 716.8,
52/716.12; 428/7, 3; 283/2-3;
40/124.01-124.15, 726, 776, 107-122;
211/90.1, 90.4

See application file for complete search history.

(56) **References Cited**

U.S. PATENT DOCUMENTS

D343,859 S * 2/1994 Fisher D19/20
D390,600 S * 2/1998 Jordan D19/20

D427,631 S * 7/2000 Paal D19/25
6,381,885 B1 * 5/2002 Ficco, Jr. 40/107
D464,673 S * 10/2002 Robinson, Sr. D19/21
D522,053 S * 5/2006 Gavronsky D19/20
D522,574 S * 6/2006 Gavronsky D19/20
D530,742 S * 10/2006 Yang D19/23
D610,611 S * 2/2010 Feyereisen D19/20

* cited by examiner

Primary Examiner — Caron D Veynar

Assistant Examiner — Abraham Bahta

(74) *Attorney, Agent, or Firm* — Ryan D. Levy; Wadley & Patterson, P.C.

(57) **CLAIM**

I claim the ornamental design for a calendar, as shown and described.

DESCRIPTION

FIG. 1 is a top perspective view of the calendar showing my new design;

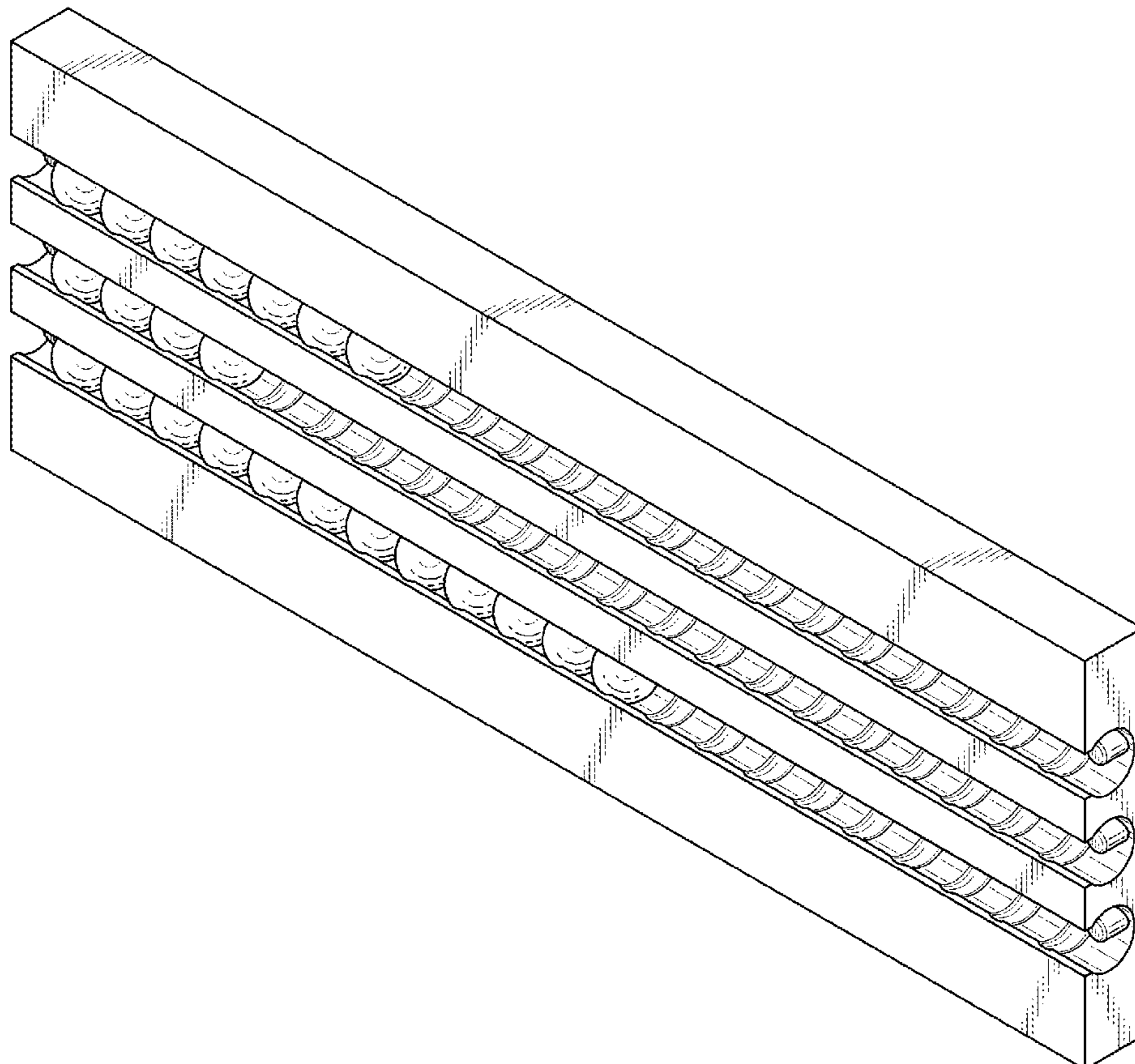
FIG. 2 is a top view thereof;

FIG. 3 is a front view thereof;

FIG. 4 is a side view thereof; and,

FIG. 5 is a rear view thereof.

1 Claim, 3 Drawing Sheets



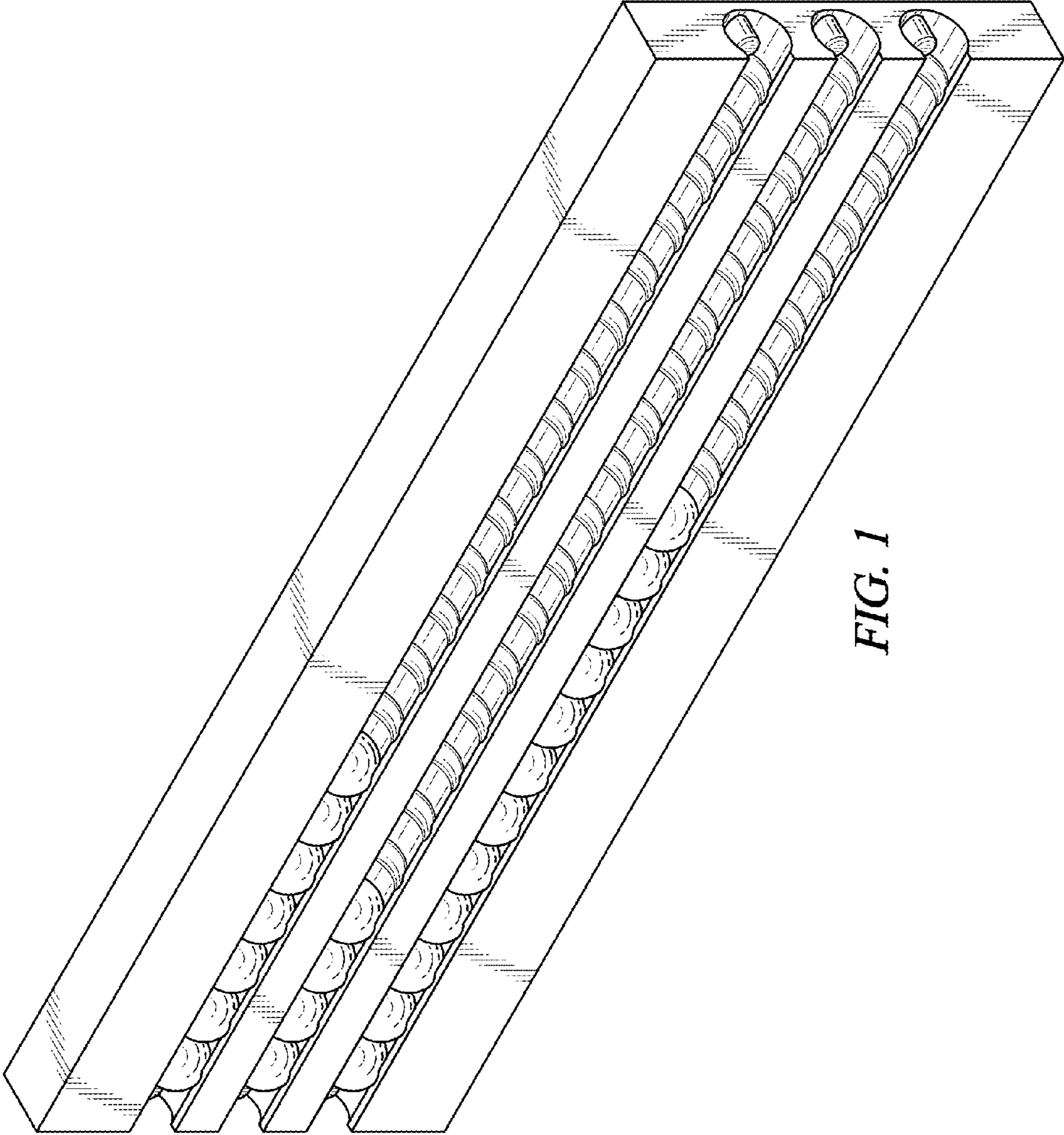


FIG. 1



FIG. 2

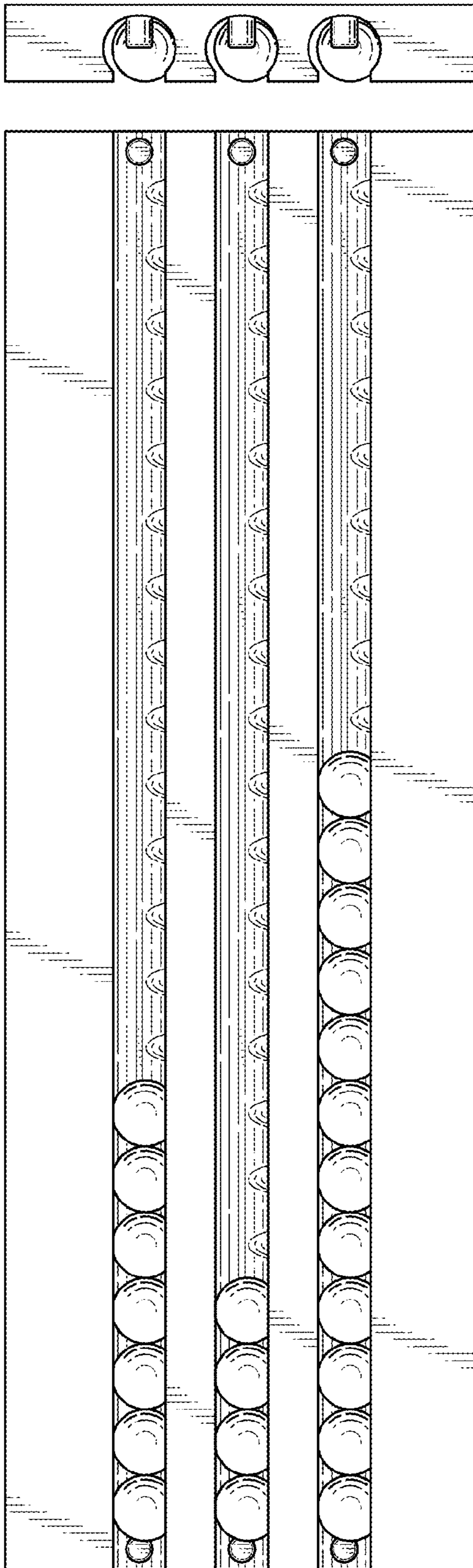


FIG. 3

FIG. 4

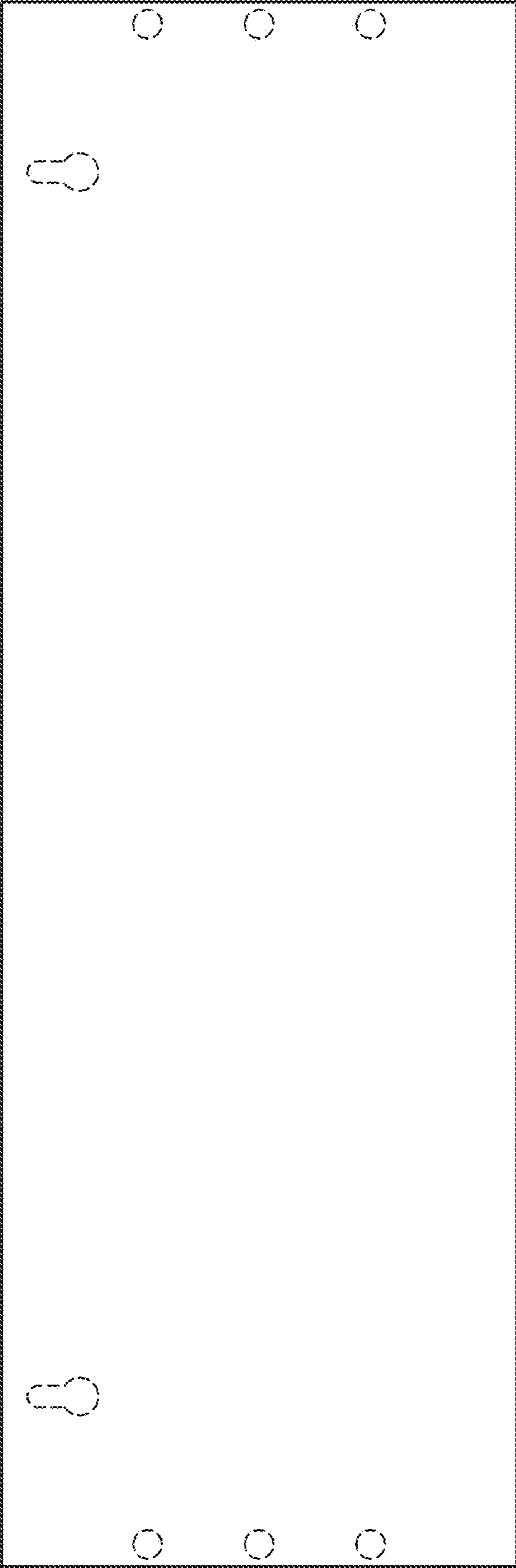


FIG. 5