



US00D722109S

(12) **United States Design Patent**
Nanno et al.

(10) **Patent No.:** **US D722,109 S**
(45) **Date of Patent:** **** Feb. 3, 2015**

(54) **PRINTER**

(71) Applicants: **Tomoyuki Nanno**, Nagoya (JP); **Ai Kishimoto**, Nagoya (JP)

(72) Inventors: **Tomoyuki Nanno**, Nagoya (JP); **Ai Kishimoto**, Nagoya (JP)

(73) Assignee: **Brother Industries, Ltd.**, Nagoya (JP)

(**) Term: **14 Years**

(21) Appl. No.: **29/467,038**

(22) Filed: **Sep. 13, 2013**

(30) **Foreign Application Priority Data**

Mar. 18, 2013 (JP) 2013-5927

(51) **LOC (10) Cl.** **14-02**

(52) **U.S. Cl.**
USPC **D18/50**

(58) **Field of Classification Search**

CPC B41J 3/36; B41J 9/26; B41J 15/00;
B41J 29/02; B41J 29/13; B41J 35/36; B65H
35/06; G03G 21/00; G03G 21/16; G03G
15/00; G06F 3/12; G06K 15/14
USPC D18/36-37, 50, 54, 54.1, 55;
D14/420-425, 462-470; 400/613,
400/613.1-613.4, 690.1-690.4, 691-694

See application file for complete search history.

(56) **References Cited**

U.S. PATENT DOCUMENTS

D541,332 S *	4/2007	Tsuchiya	D18/50
D607,925 S *	1/2010	Morrison et al.	D18/50
D614,234 S *	4/2010	Ishikawa et al.	D18/55
D643,462 S *	8/2011	Yamashita et al.	D18/50
D648,377 S	11/2011	Miyauchi et al.	
D648,379 S *	11/2011	Ishikawa et al.	D18/50
D667,051 S *	9/2012	Sato	D18/50
D678,402 S	3/2013	Sato	

* cited by examiner

Primary Examiner — Cathy A MacCormac

(74) *Attorney, Agent, or Firm* — Oliff PLC

(57) **CLAIM**

The ornamental design for a printer, as shown and described.

DESCRIPTION

FIG. 1 is a perspective view of a printer;

FIG. 2 is a front view thereof;

FIG. 3 is a top view thereof;

FIG. 4 is a right-side view thereof;

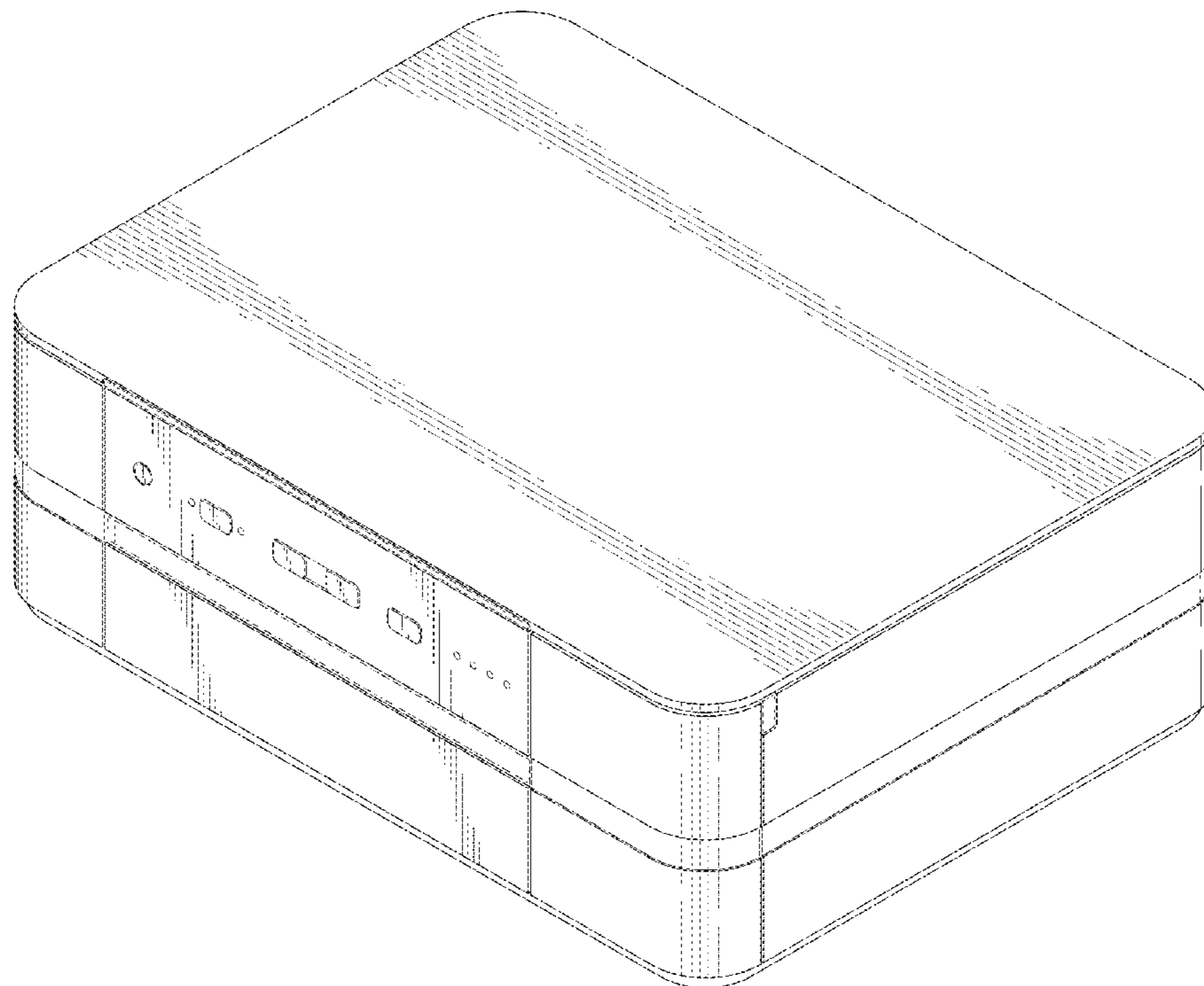
FIG. 5 is a left-side view thereof;

FIG. 6 is a rear view thereof; and,

FIG. 7 is a bottom view thereof.

The broken lines depict environmental subject matter only and form no part of the claimed design.

1 Claim, 4 Drawing Sheets



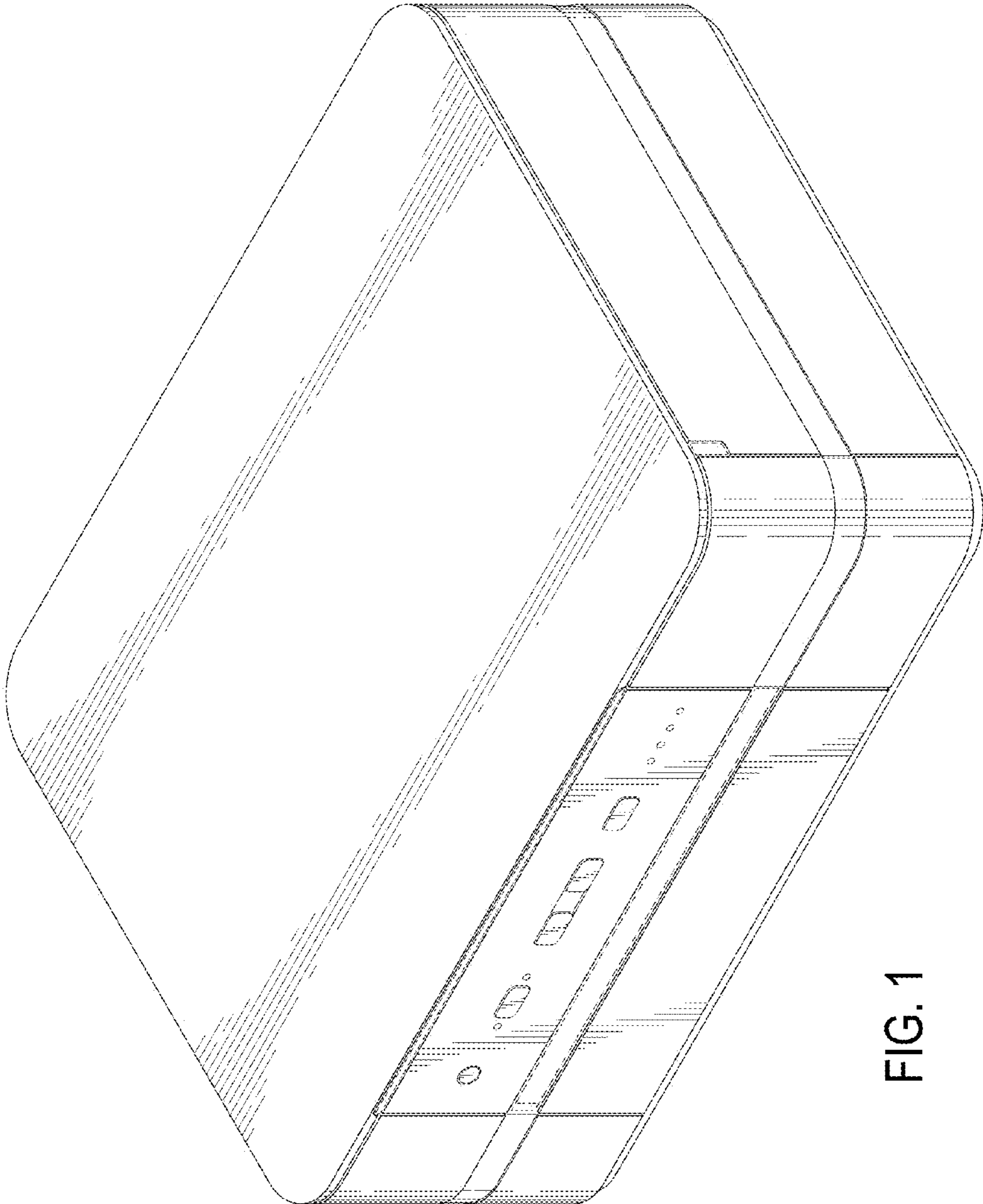


FIG. 1

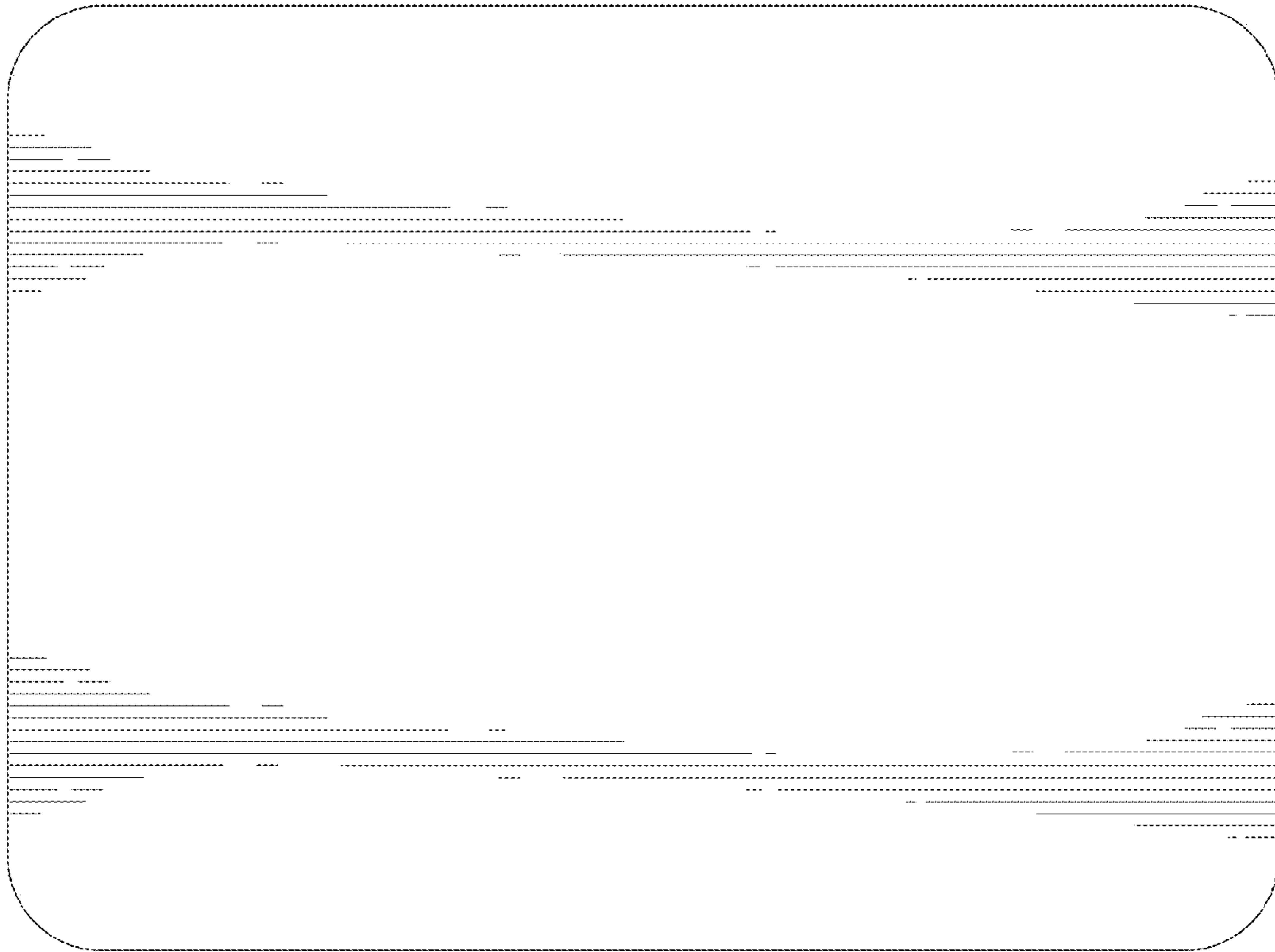


FIG. 3

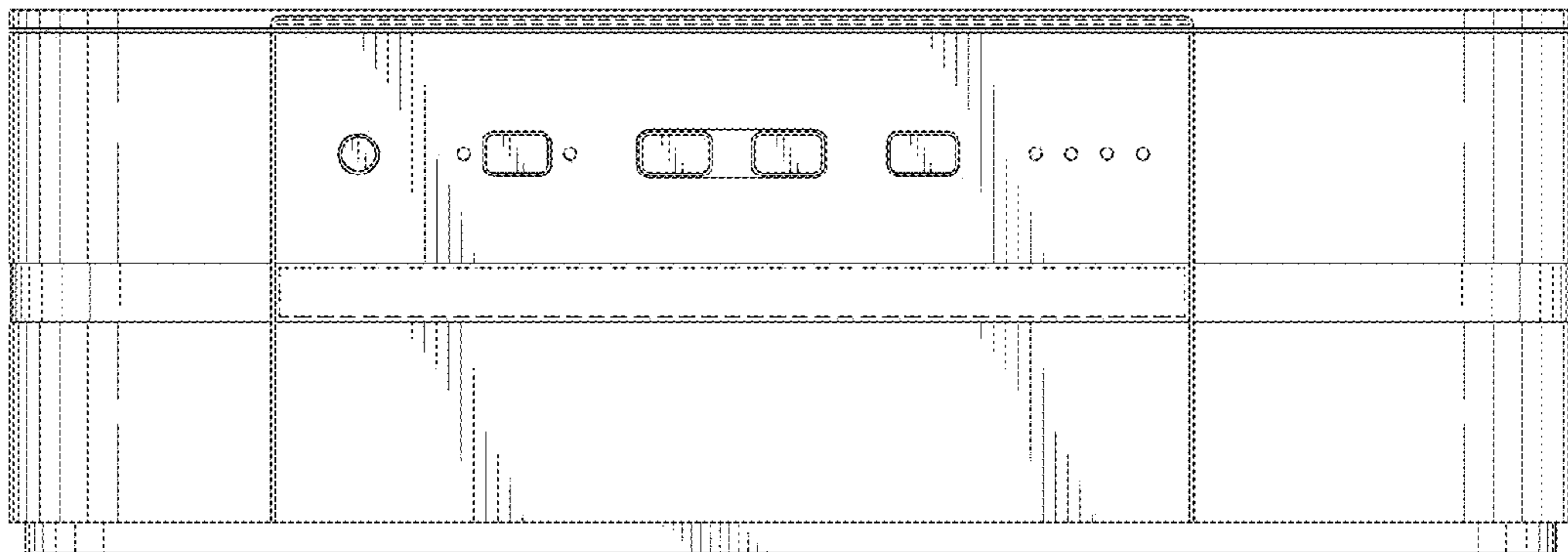


FIG. 2

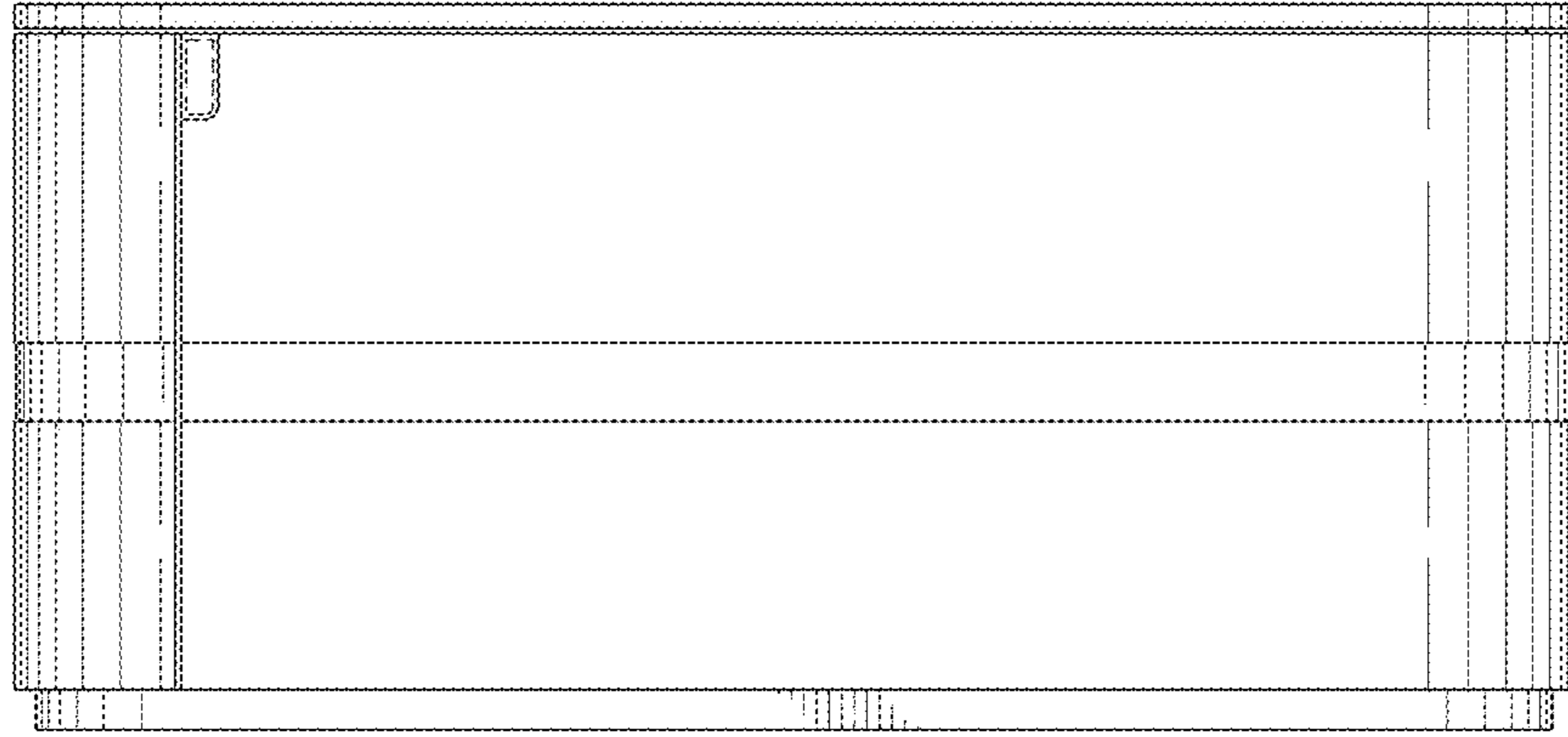


FIG. 4

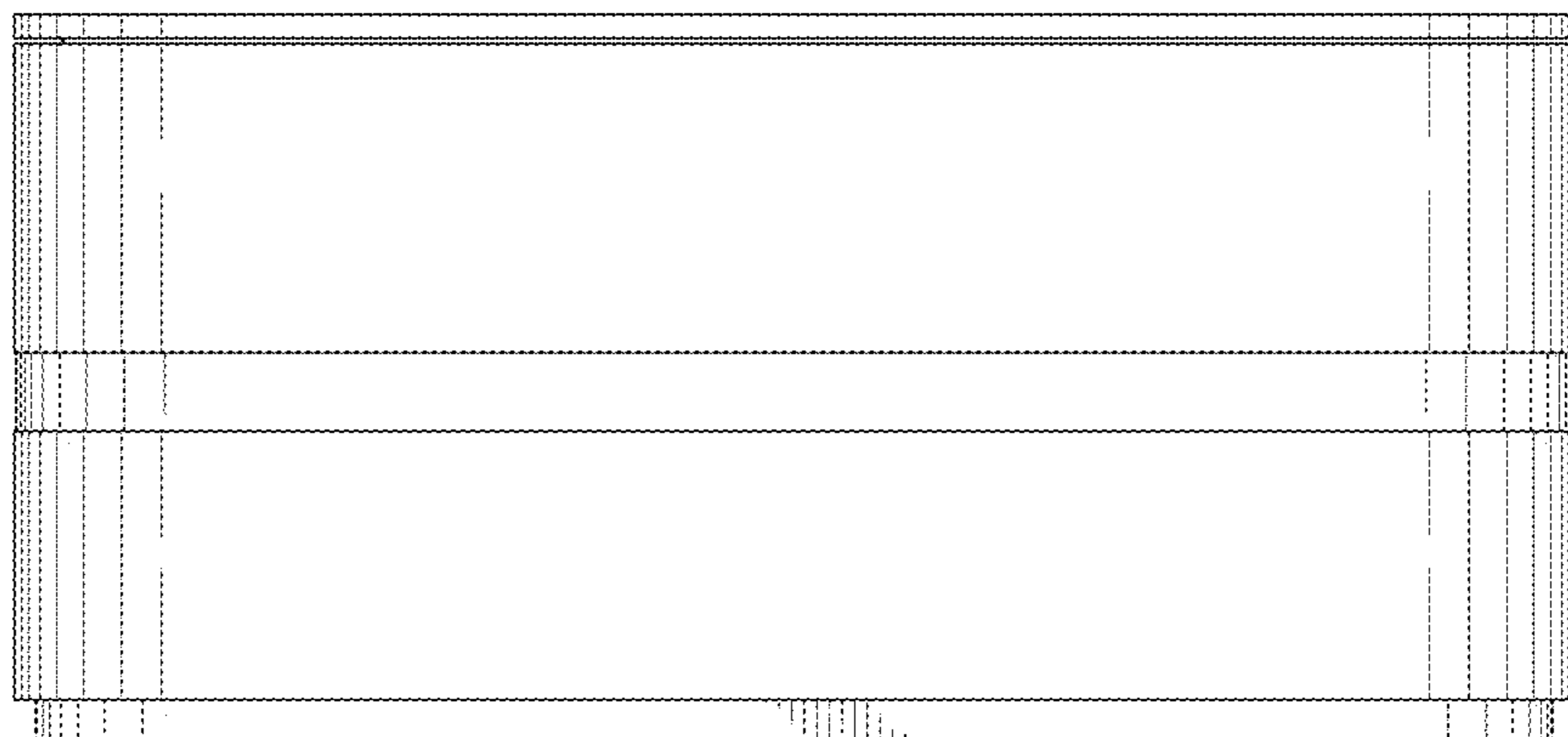


FIG. 5

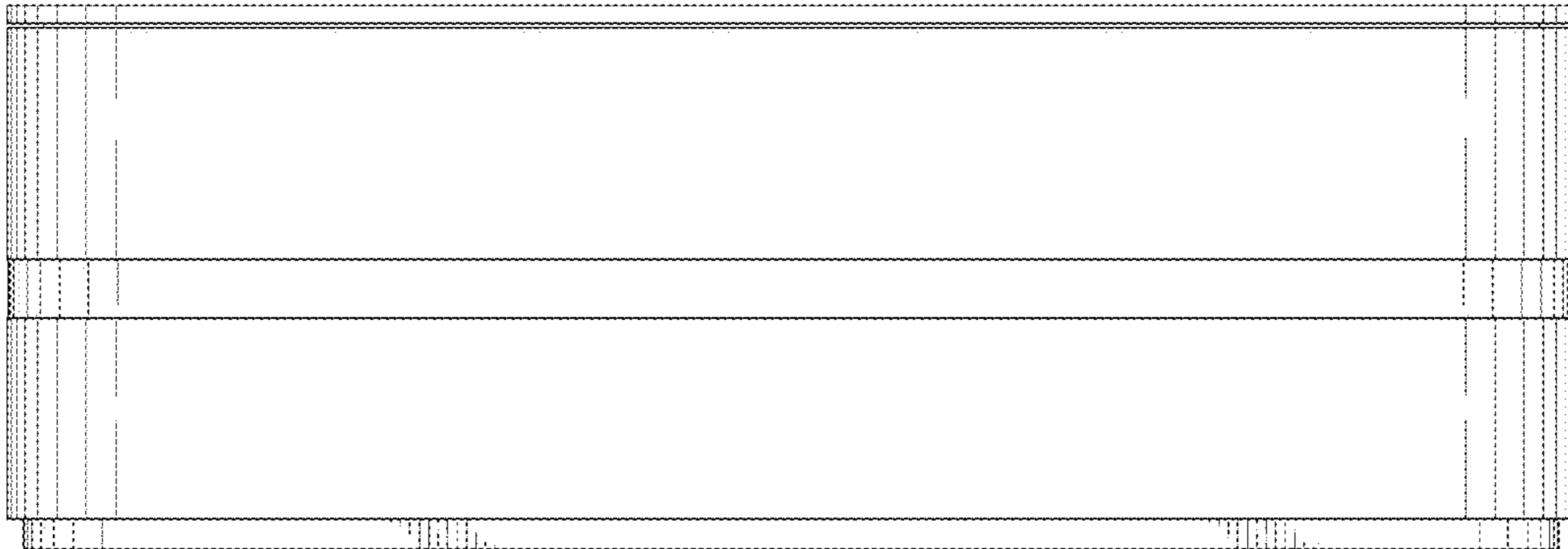


FIG. 6

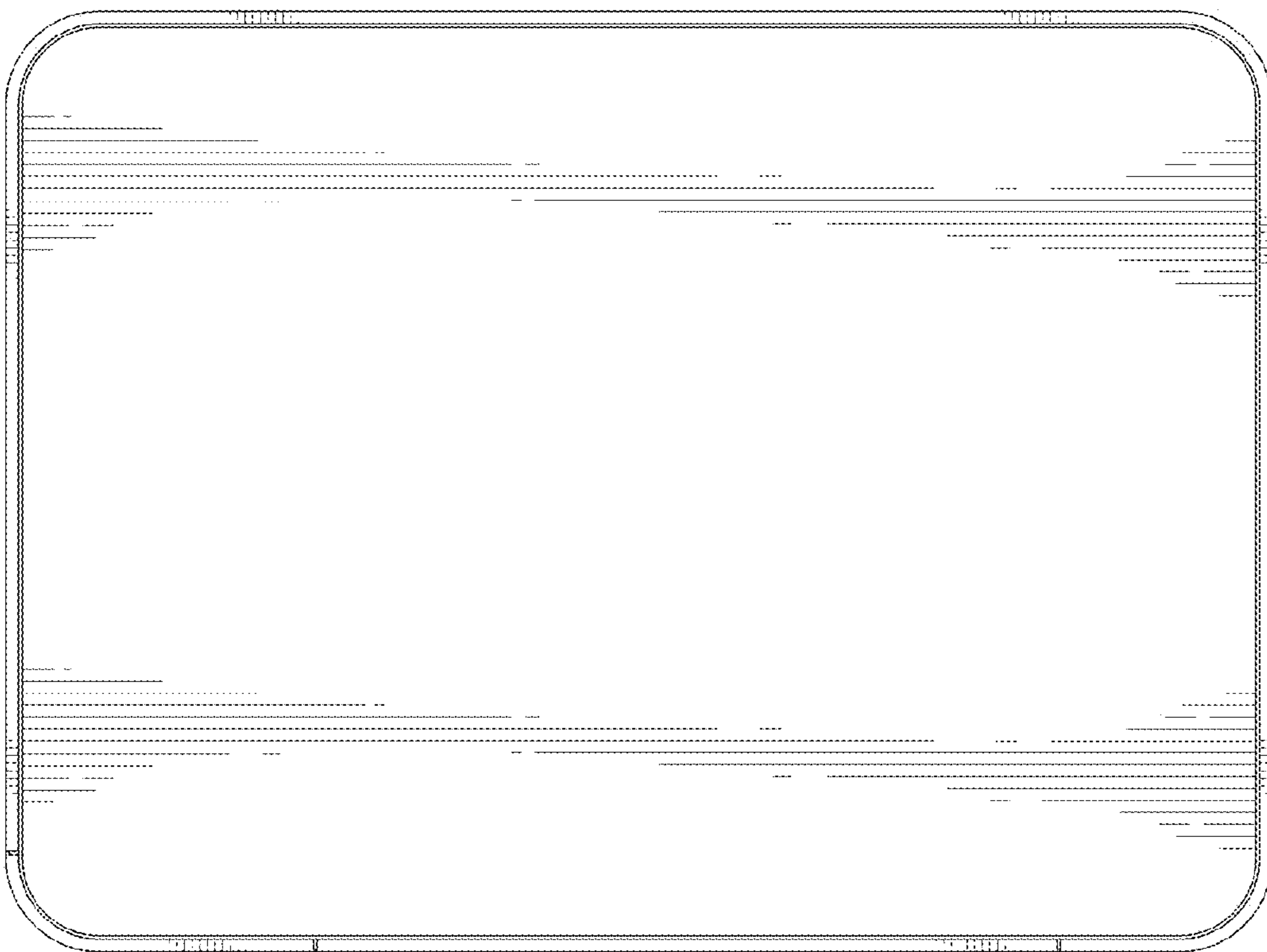


FIG. 7