



US00D722108S

(12) **United States Design Patent**
Reches et al.

(10) **Patent No.:** **US D722,108 S**

(45) **Date of Patent:** **** Feb. 3, 2015**

(54) **THREE-DIMENSIONAL PRINTER**

(71) Applicants: **Yoav Reches**, London (GB); **Jason Livingston**, Somerville, MA (US); **Ian Ferguson**, Cambridge, MA (US); **David Cranor**, Cambridge, MA (US); **Maxim Lobovsky**, Cambridge, MA (US); **Natan Linder**, Cambridge, MA (US)

(72) Inventors: **Yoav Reches**, London (GB); **Jason Livingston**, Somerville, MA (US); **Ian Ferguson**, Cambridge, MA (US); **David Cranor**, Cambridge, MA (US); **Maxim Lobovsky**, Cambridge, MA (US); **Natan Linder**, Cambridge, MA (US)

(73) Assignee: **Formlabs, Inc.**, Somerville, MA (US)

(**) Term: **14 Years**

(21) Appl. No.: **29/448,719**

(22) Filed: **Mar. 13, 2013**

(51) **LOC (10) Cl.** **18-02**

(52) **U.S. Cl.**
USPC **D18/50**

(58) **Field of Classification Search**
CPC B29C 31/04; B29C 35/08; B29C 41/02;
B29C 41/22; B29C 35/04; B41F 17/08;
B08B 5/00; B29B 17/00; B23K 15/00
USPC D18/14, 19, 36-39, 50, 53, 54, 54.1,
D18/55; D15/135; D14/420-425, 462-470;
400/613, 613.1-613.4, 690.1-690.4,
400/691-694; 101/38.1; 134/21, 37;
264/113, 308, 401, 497, 642; 425/74.4;
700/117, 119

See application file for complete search history.

(56) **References Cited**

U.S. PATENT DOCUMENTS

3,112,569 A * 12/1963 Moore et al. 434/230
D207,059 S * 2/1967 Regal D14/469

4,247,508 A * 1/1981 Housholder 264/308
5,885,511 A * 3/1999 Heller et al. 264/401
5,939,008 A * 8/1999 Comb et al. 264/308
D420,371 S * 2/2000 Strong et al. D15/135
D501,502 S * 2/2005 Scully et al. D18/50
7,027,887 B2 * 4/2006 Gaylo et al. 700/117
7,037,382 B2 * 5/2006 Davidson et al. 134/21
7,168,935 B1 * 1/2007 Taminger et al. 425/174.4
D565,648 S * 4/2008 Egami D18/50
7,615,866 B2 * 11/2009 Wang et al. 257/751
7,686,995 B2 * 3/2010 Davidson et al. 264/113
7,819,055 B2 * 10/2010 Tezuka et al. 101/38.1
7,959,847 B2 * 6/2011 Wicker et al. 264/401
8,017,055 B2 * 9/2011 Davidson et al. 264/308
8,252,223 B2 * 8/2012 Medina et al. 264/401
D677,723 S * 3/2013 Buel et al. D18/59
D688,741 S * 8/2013 Joyce D18/50
8,546,717 B2 * 10/2013 Stecker 264/497
8,568,649 B1 * 10/2013 Balistreri et al. 264/642
2004/0262803 A1 * 12/2004 Neilsen et al. 264/113
2006/0192322 A1 * 8/2006 Abe et al. 264/497

* cited by examiner

Primary Examiner — Cathy A MacCormac

(74) *Attorney, Agent, or Firm* — Wolf, Greenfield & Sacks, P.C.

(57) **CLAIM**

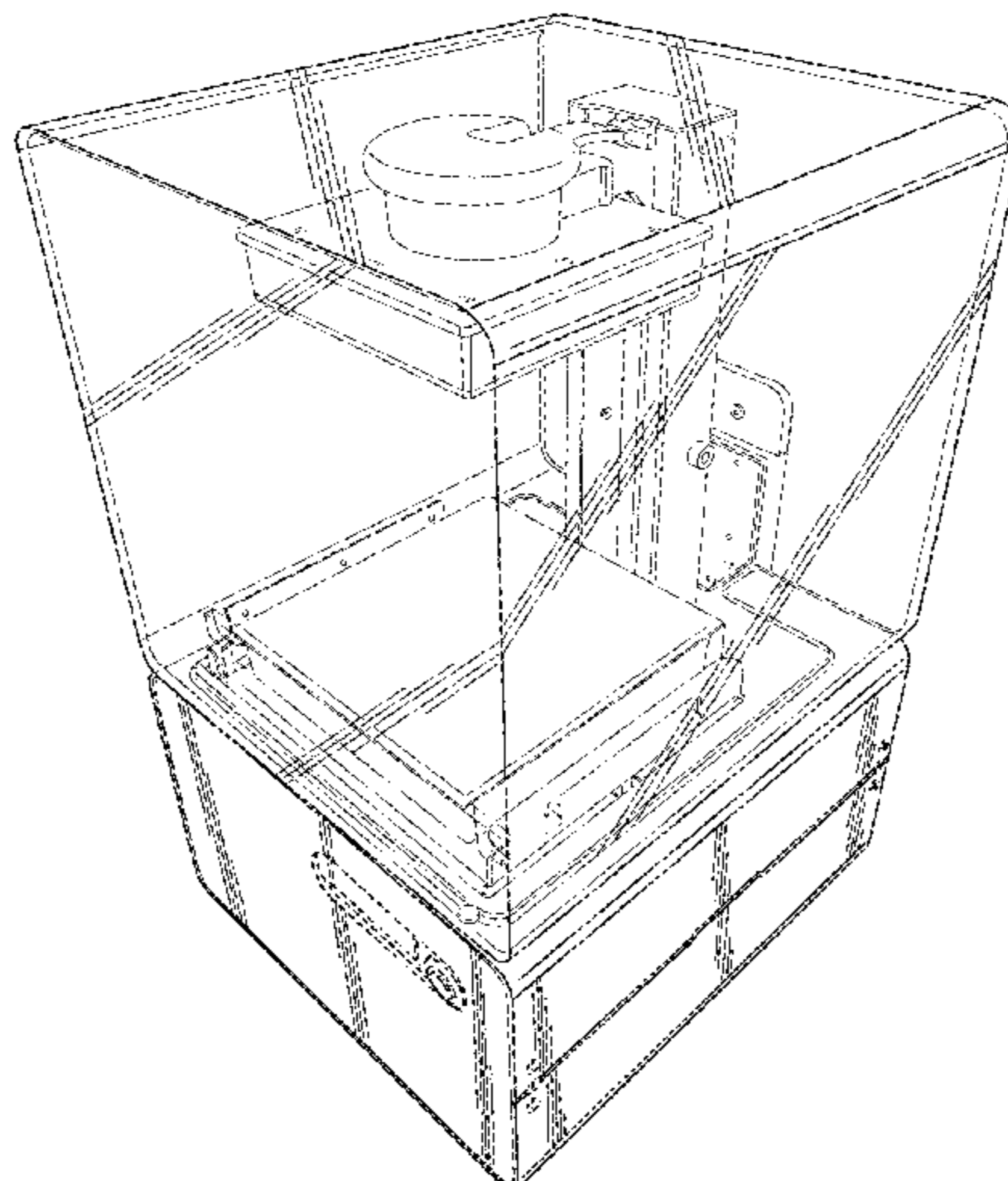
The ornamental design for a three-dimensional printer, substantially as shown.

DESCRIPTION

FIG. 1 is a top, front, right perspective view of a three-dimensional printer showing our design;
FIG. 2 is a front view thereof;
FIG. 3 is a back view thereof;
FIG. 4 is a left-side view thereof;
FIG. 5 is a right-side view thereof;
FIG. 6 is a top view thereof; and,
FIG. 7 is a bottom view thereof.

The broken lines illustrate portions of the three-dimensional printer that form no part of the claimed design.

1 Claim, 7 Drawing Sheets



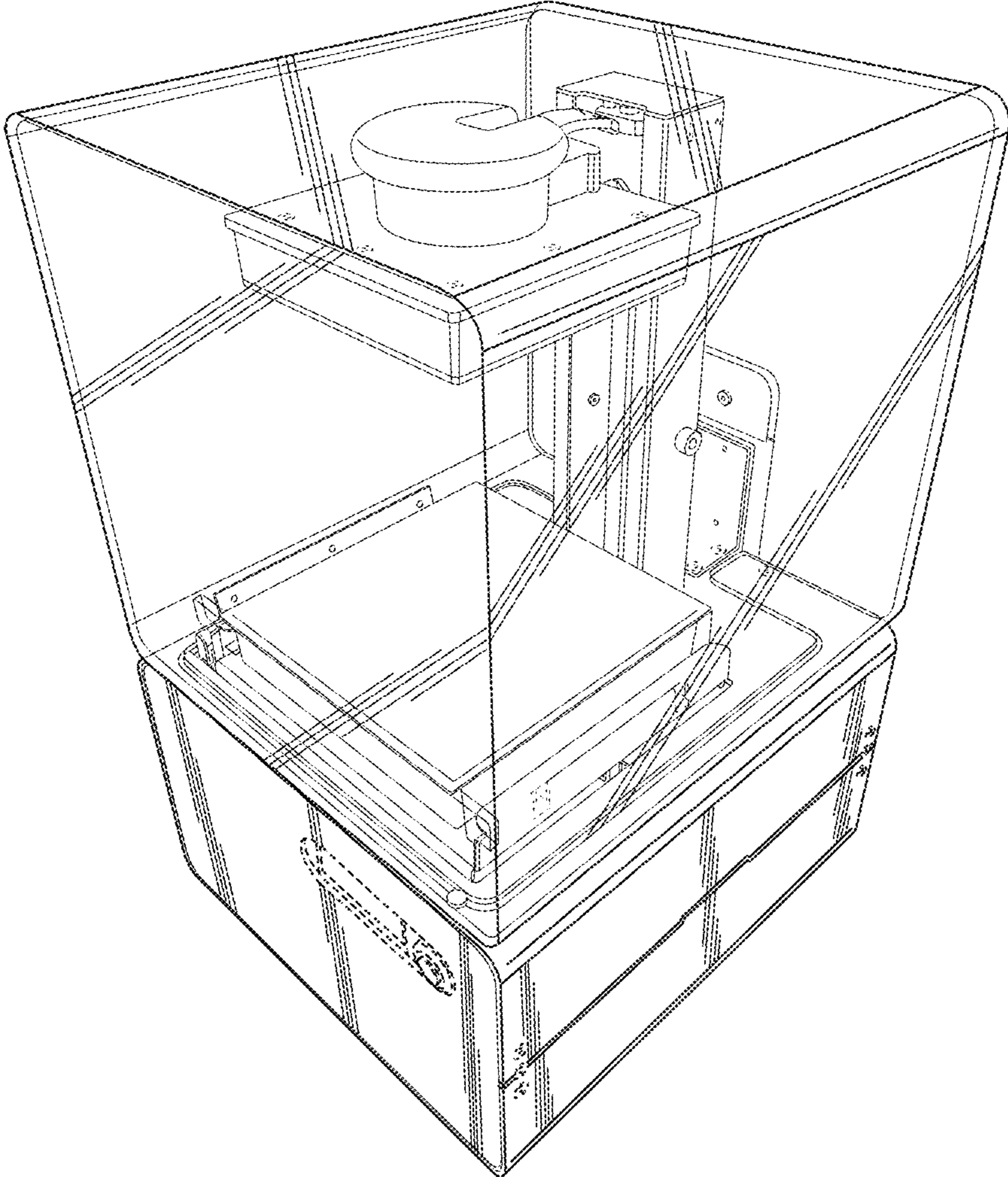


FIG. 1

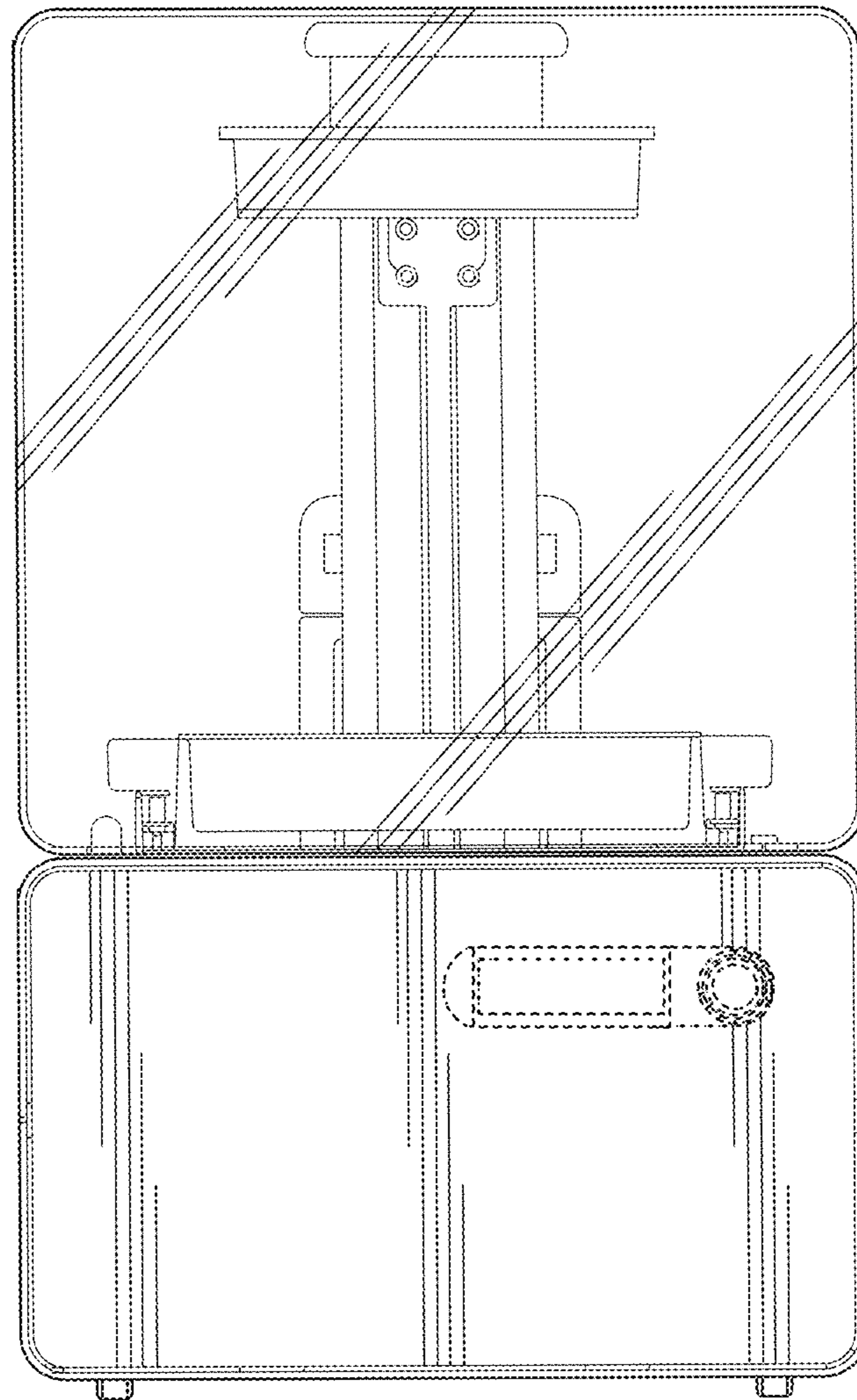


FIG. 2

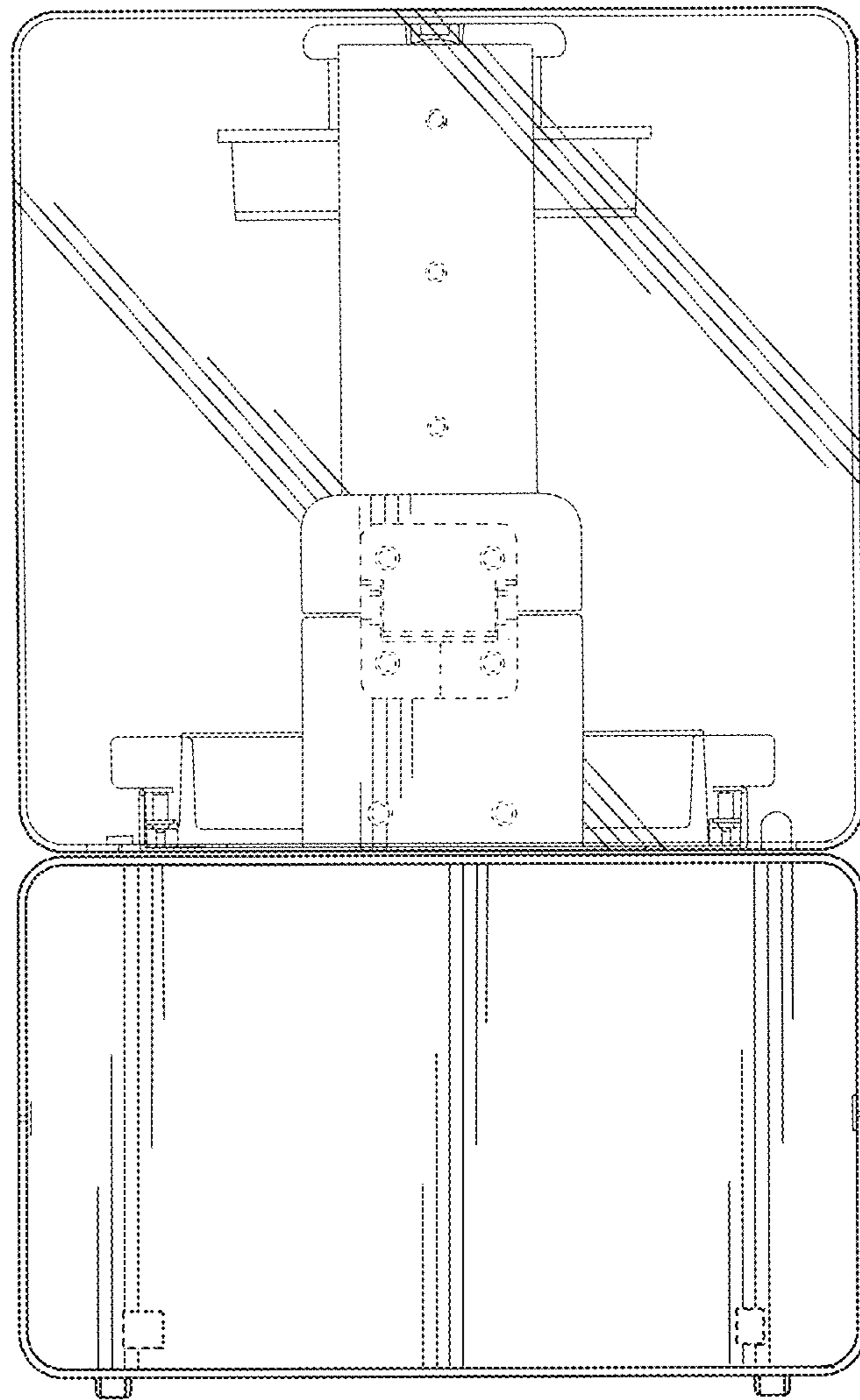


FIG. 3

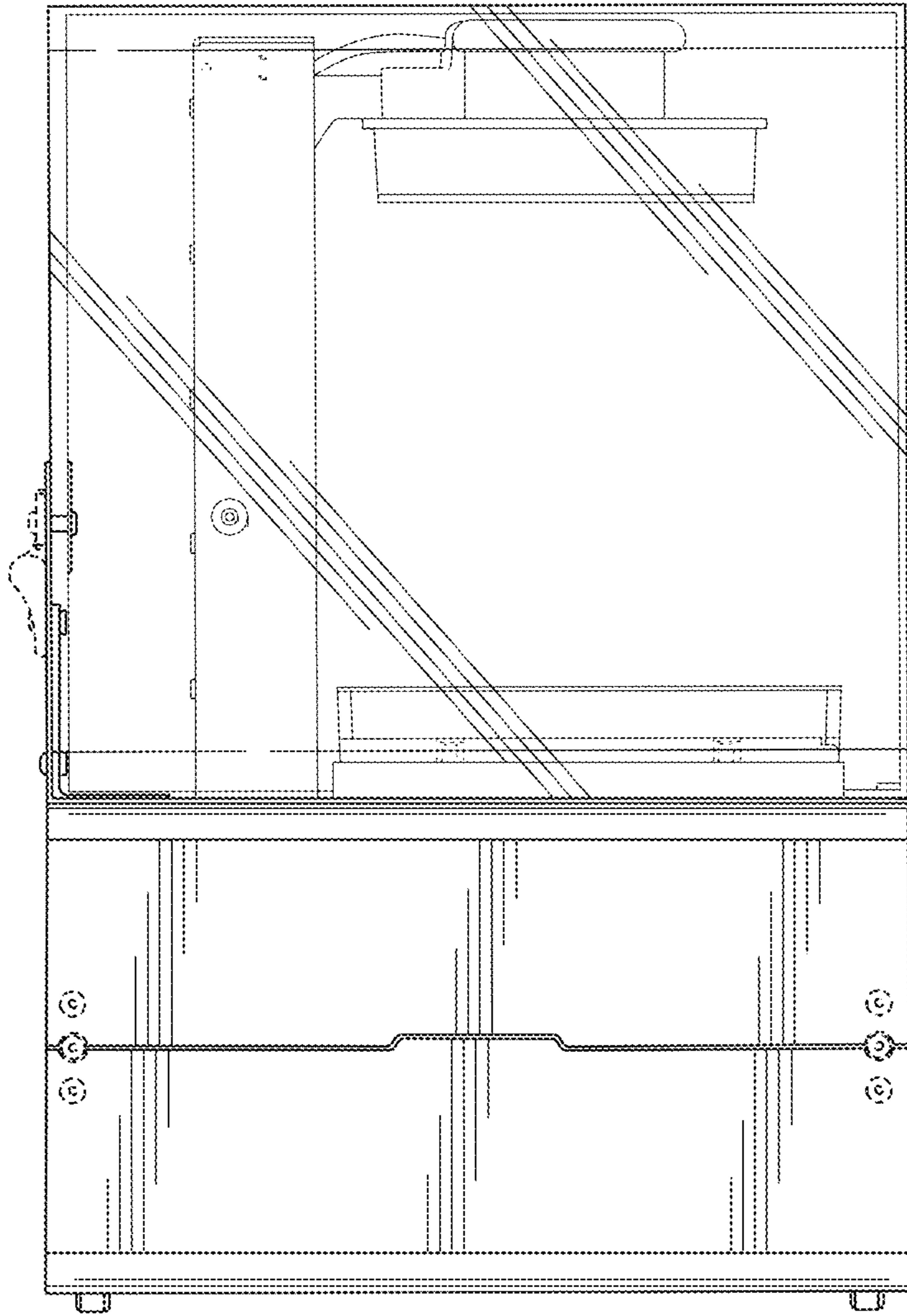


FIG. 4

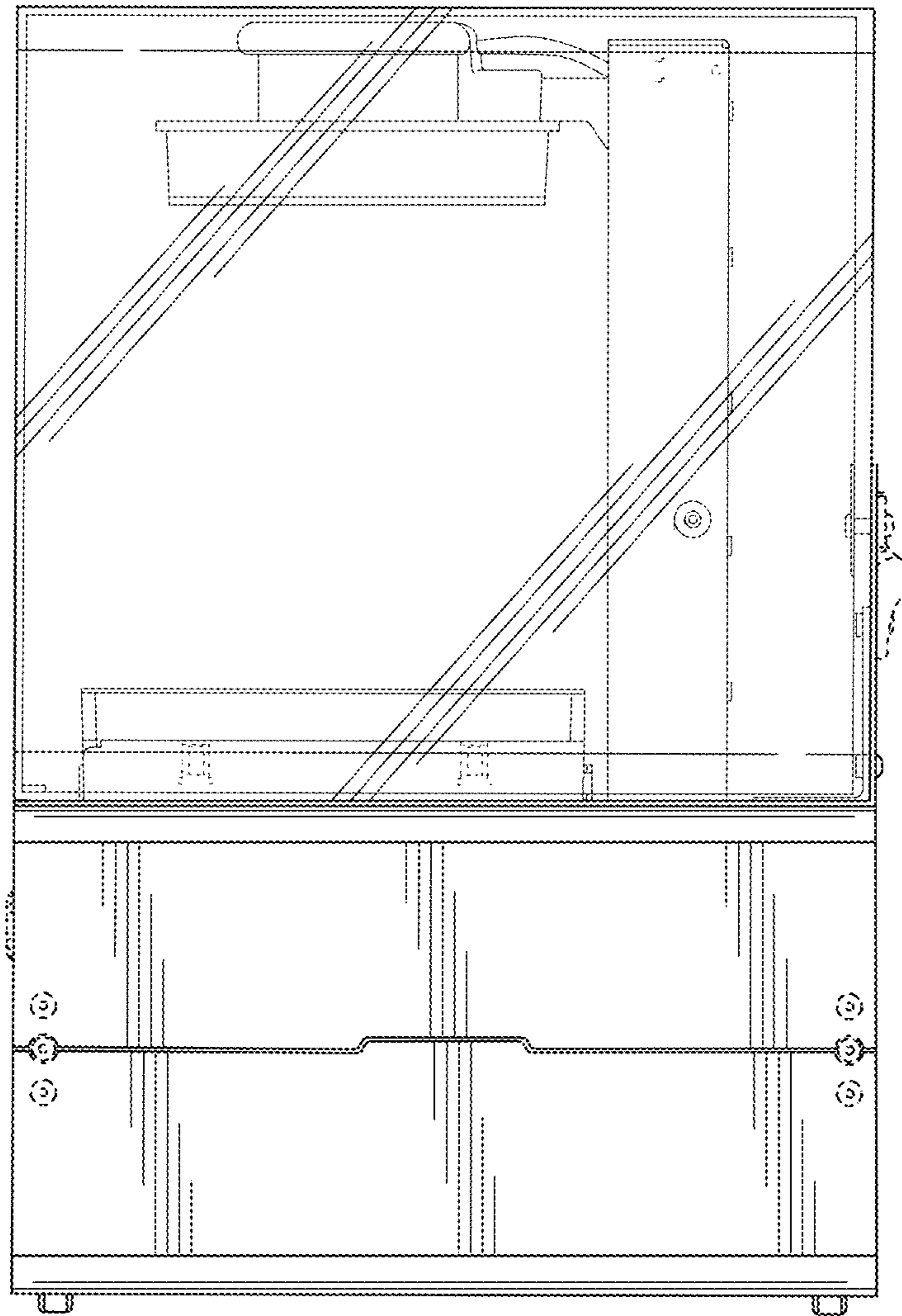


FIG. 5

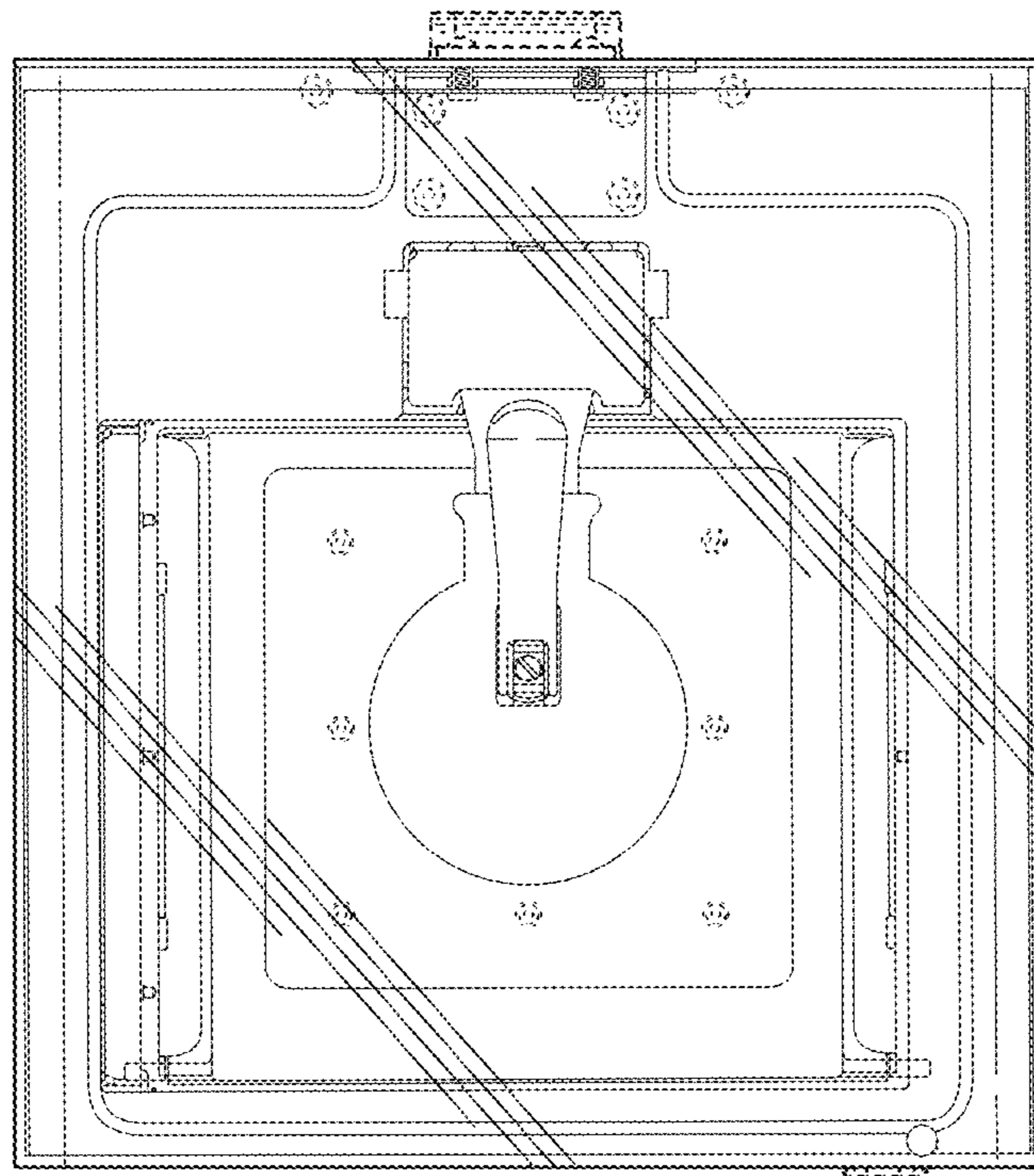


FIG. 6

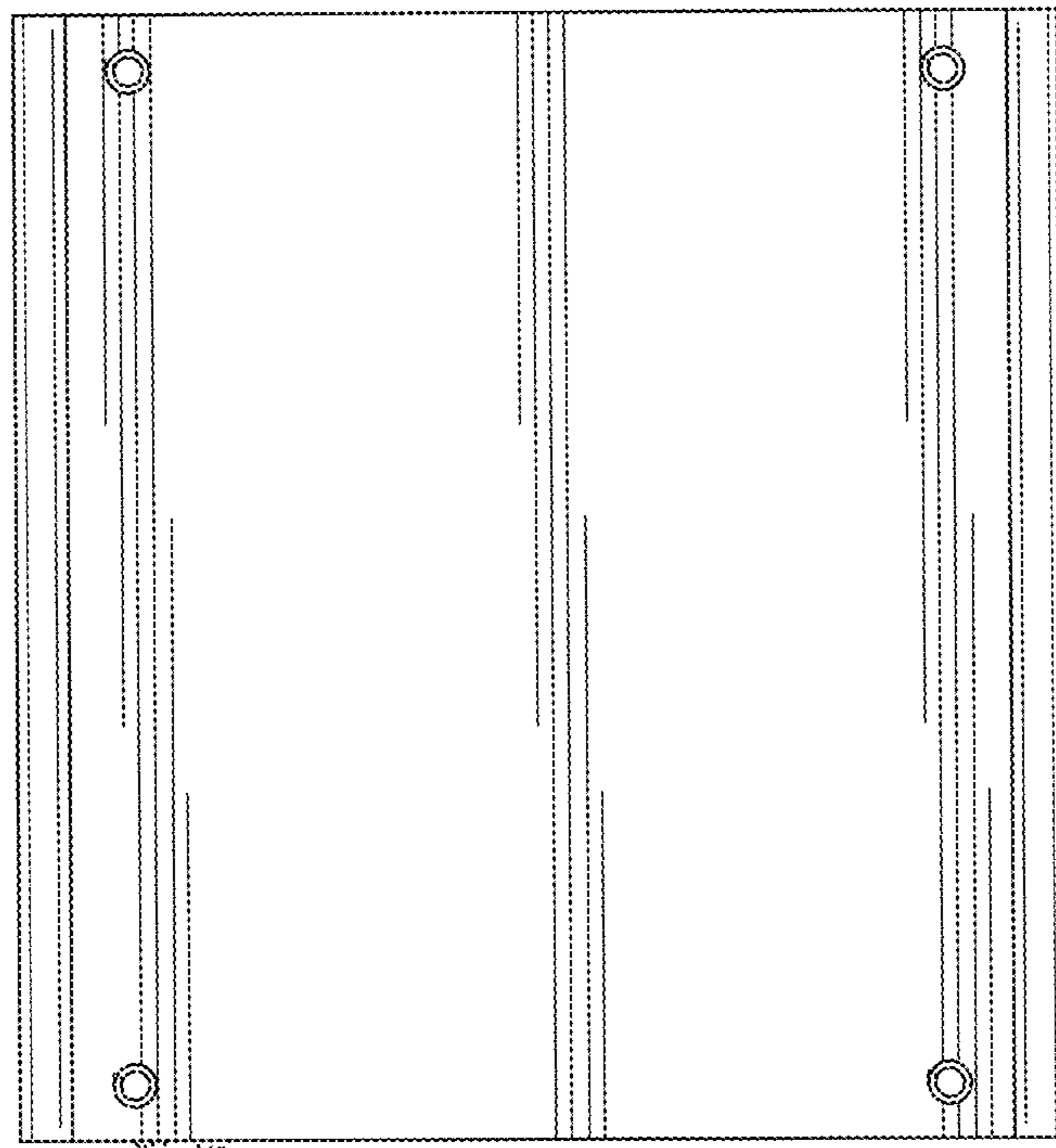


FIG. 7