

US00D722102S

(12) **United States Design Patent**
Shalar

(10) **Patent No.:** **US D722,102 S**

(45) **Date of Patent:** **** Feb. 3, 2015**

(54) **LENS FRAME**

(71) Applicant: **Michael Shalar**, Guerneville, CA (US)

(72) Inventor: **Michael Shalar**, Guerneville, CA (US)

(**) Term: **14 Years**

(21) Appl. No.: **29/463,863**

(22) Filed: **Mar. 24, 2014**

(51) **LOC (10) Cl.** **16-06**

(52) **U.S. Cl.**
USPC **D16/315**; D16/304; D16/306

(58) **Field of Classification Search**
USPC D16/101, 300–342, 900; D29/109–110;
351/41, 44, 51–52, 62, 158, 92,
351/103–123, 140–153, 63, 59, 45–46;
2/426–432, 447–449, 441, 434–437,
2/13, 15; D21/483, 659–661; D14/372
See application file for complete search history.

(56) **References Cited**

U.S. PATENT DOCUMENTS

3,238,005 A * 3/1966 Petitto 351/59
4,466,713 A 8/1984 Tanaka et al.

4,842,399 A 6/1989 Tsai et al.
5,355,184 A 10/1994 Valenti et al.
5,469,231 A 11/1995 Huang
D364,885 S * 12/1995 Chang D16/306
D381,352 S * 7/1997 Chang D16/306
D388,813 S * 1/1998 Feuchtmayer D16/304
D697,107 S * 1/2014 Huschka D16/101

* cited by examiner

Primary Examiner — Raphael Barkai

(74) *Attorney, Agent, or Firm* — Paul R. Martin

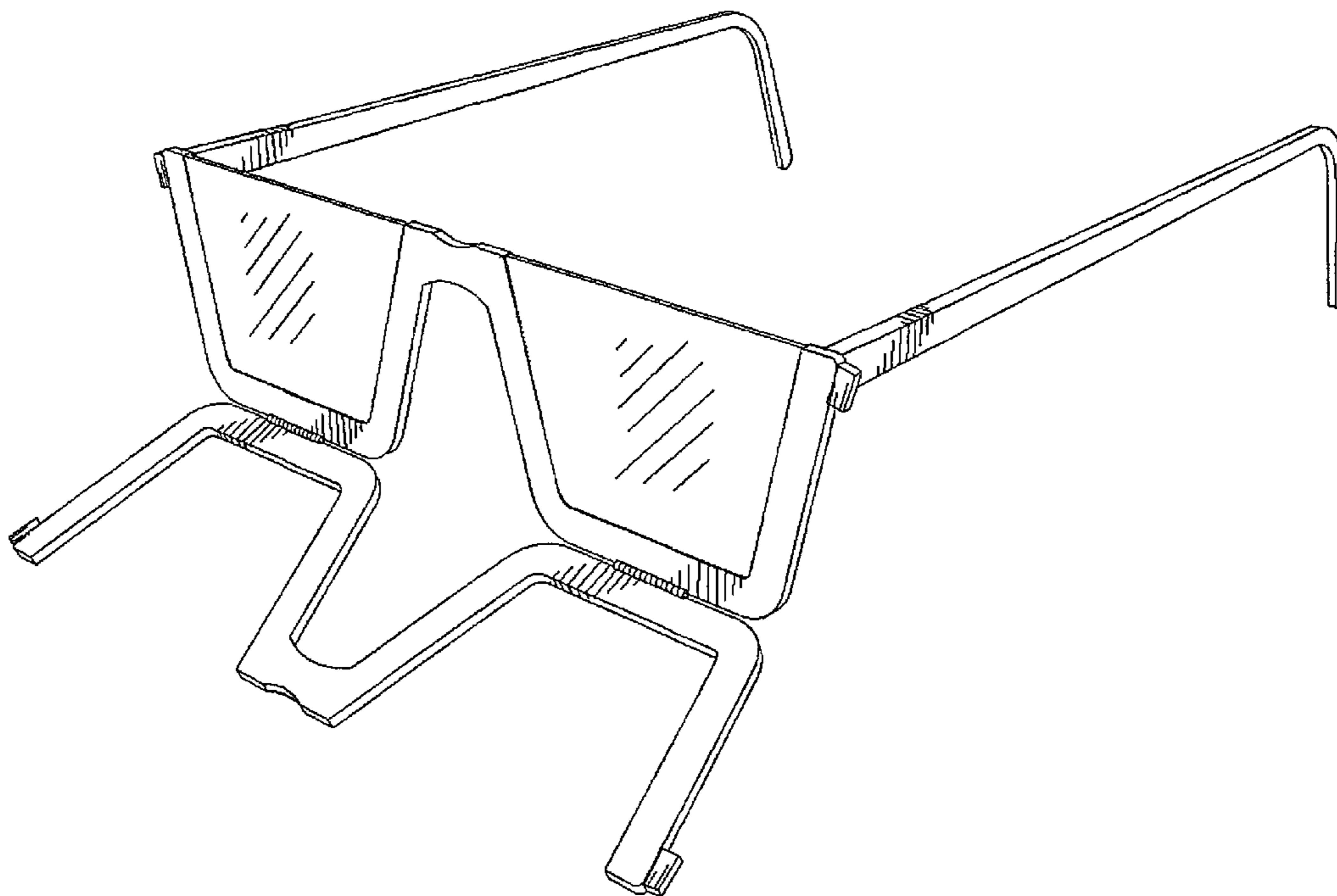
(57) **CLAIM**

The ornamental design for a lens frame, as shown and described.

DESCRIPTION

FIG. 1 is a perspective view of the lens frame of my new design.
FIG. 2 is a front elevational view thereof.
FIG. 3 is a rear elevational view thereof.
FIG. 4 is a side elevational view thereof.
FIG. 5 is an elevational view of the side opposite to that shown in FIG. 4.
FIG. 6 is an top plan view thereof; and,
FIG. 7 is a bottom plan view thereof.

1 Claim, 4 Drawing Sheets



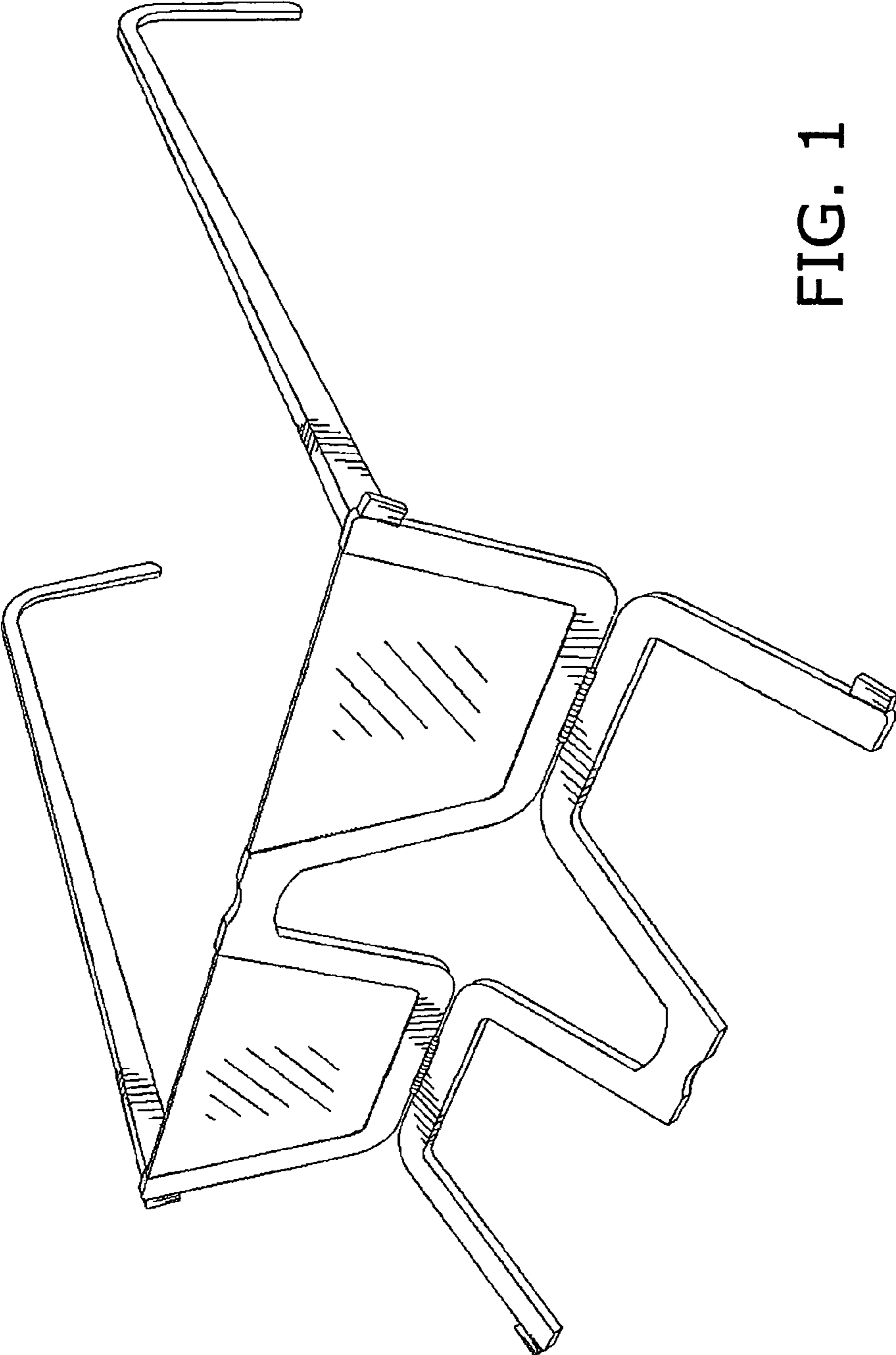


FIG. 1

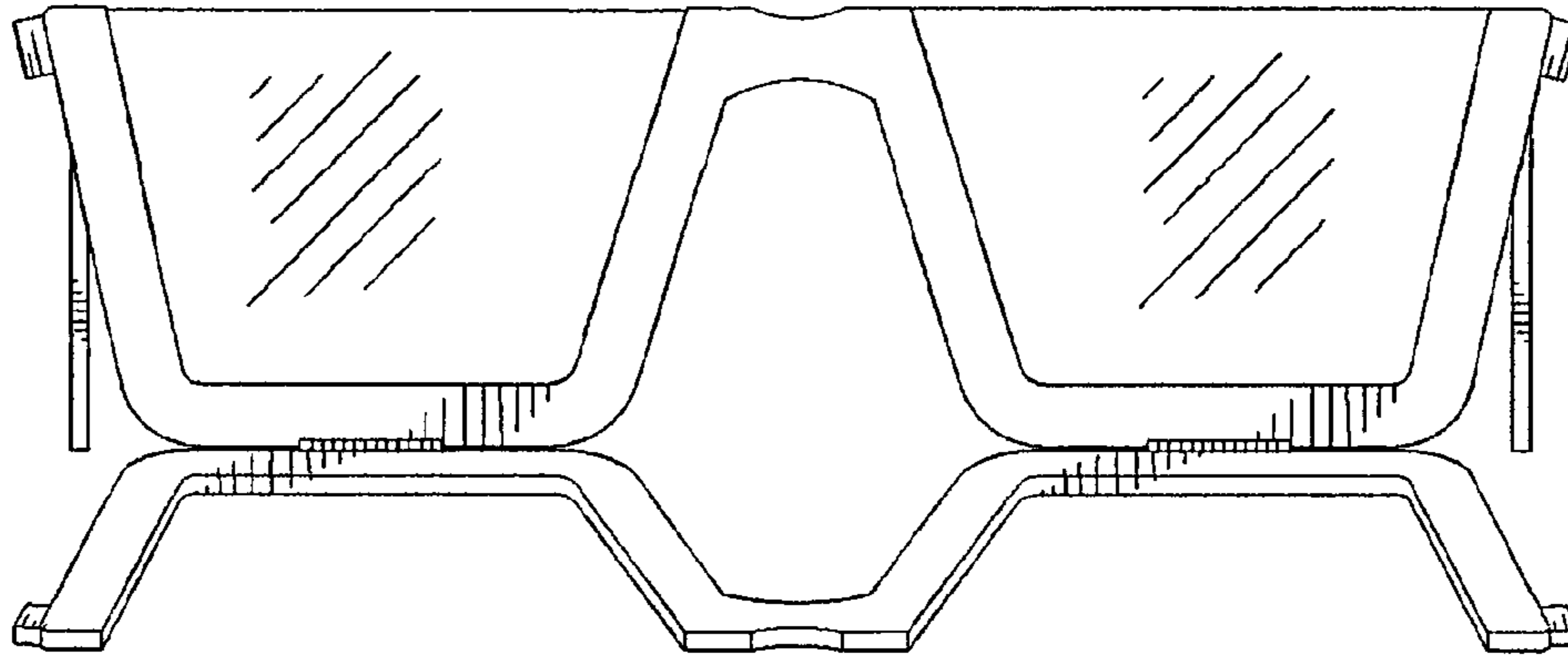


FIG. 2

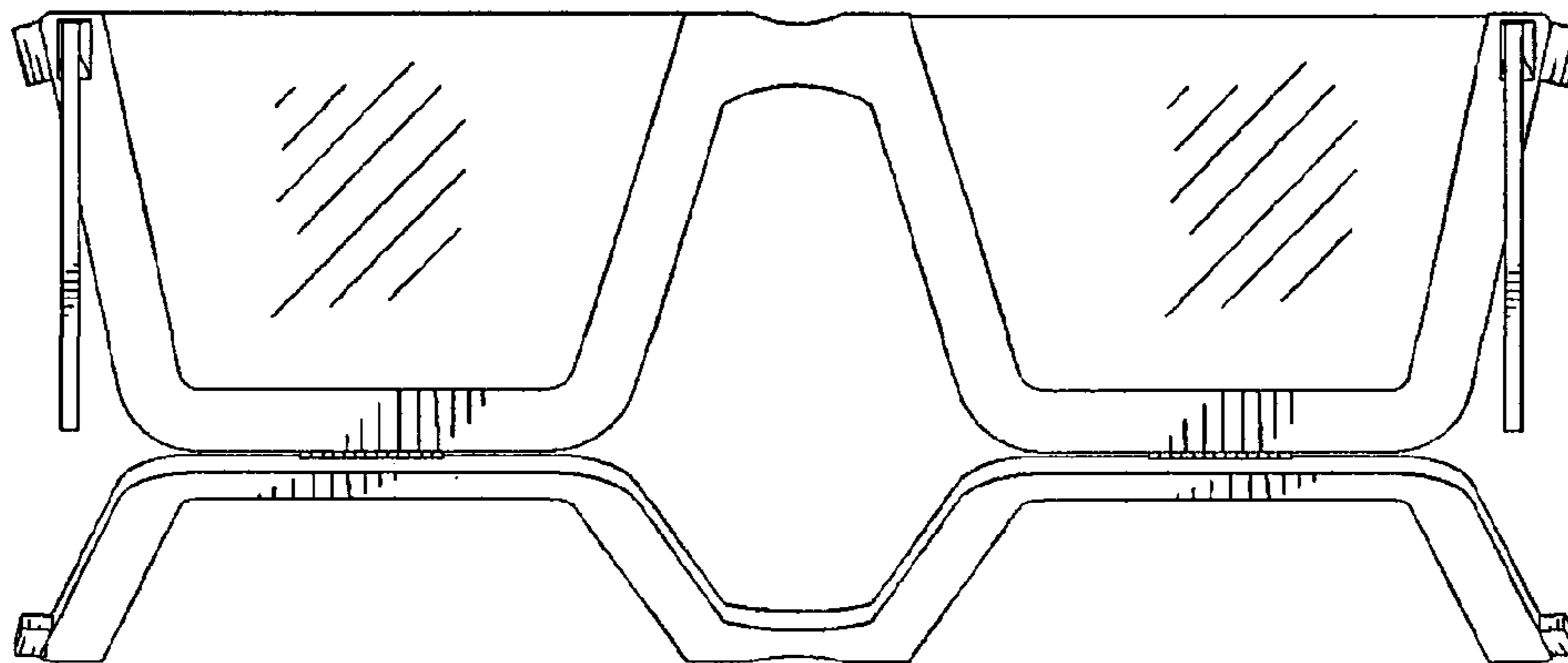


FIG. 3

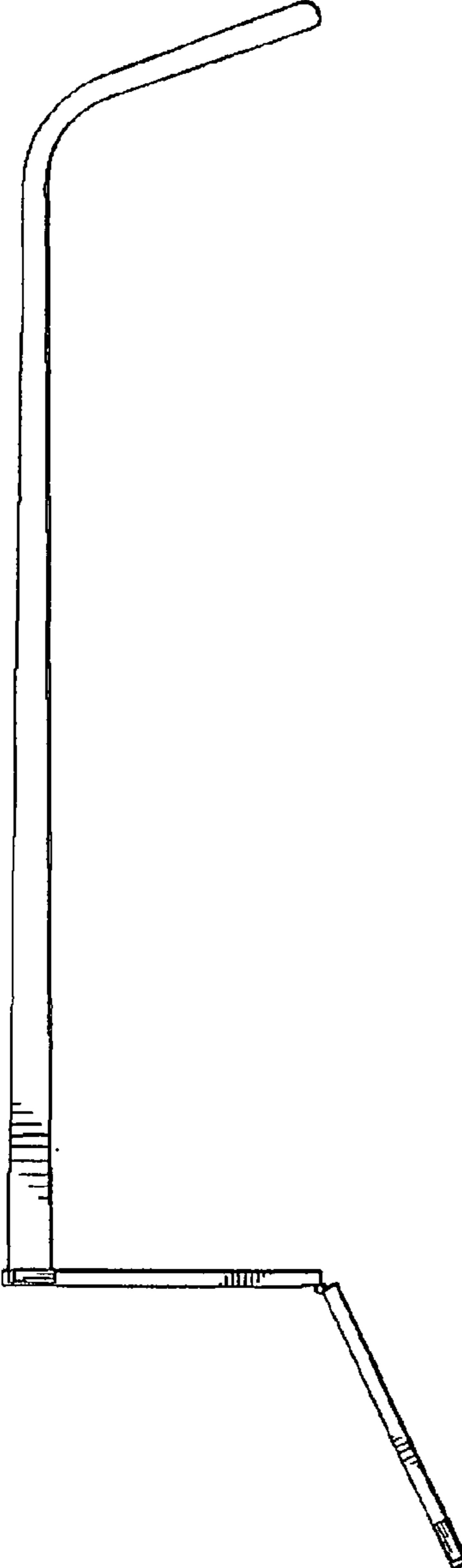


FIG. 4

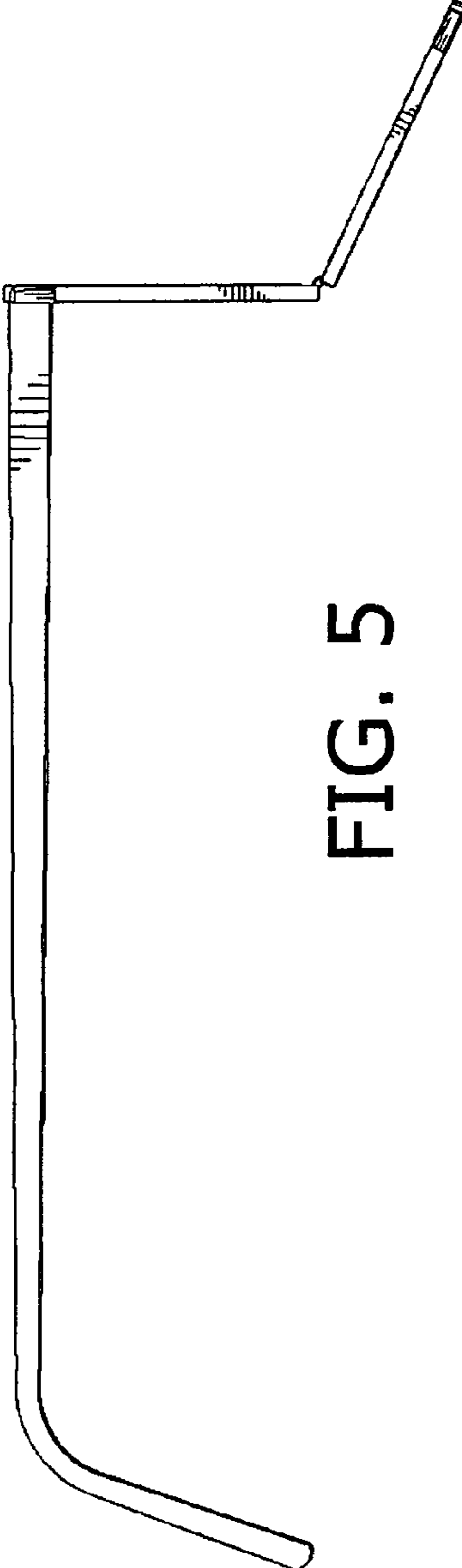


FIG. 5

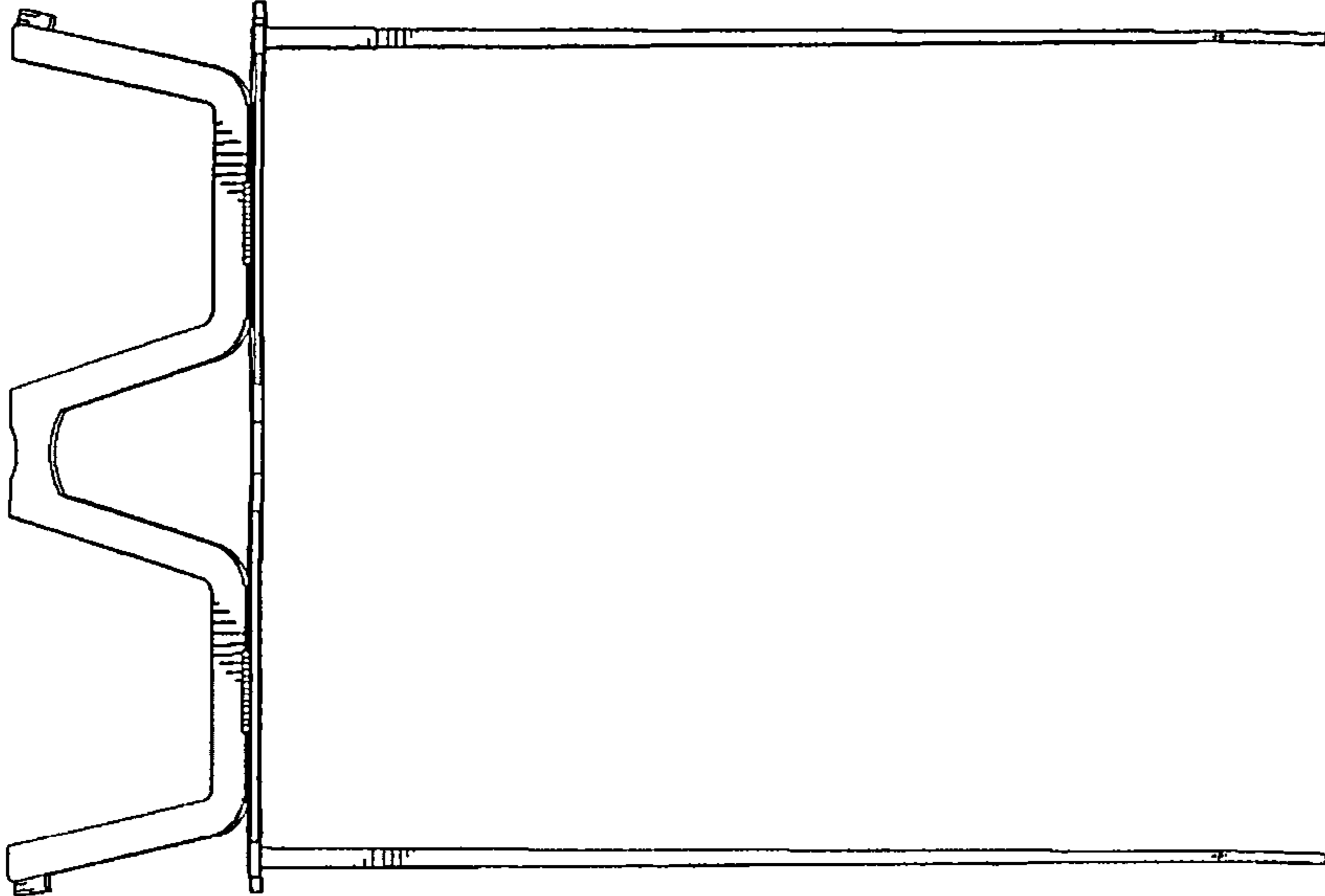


FIG. 6

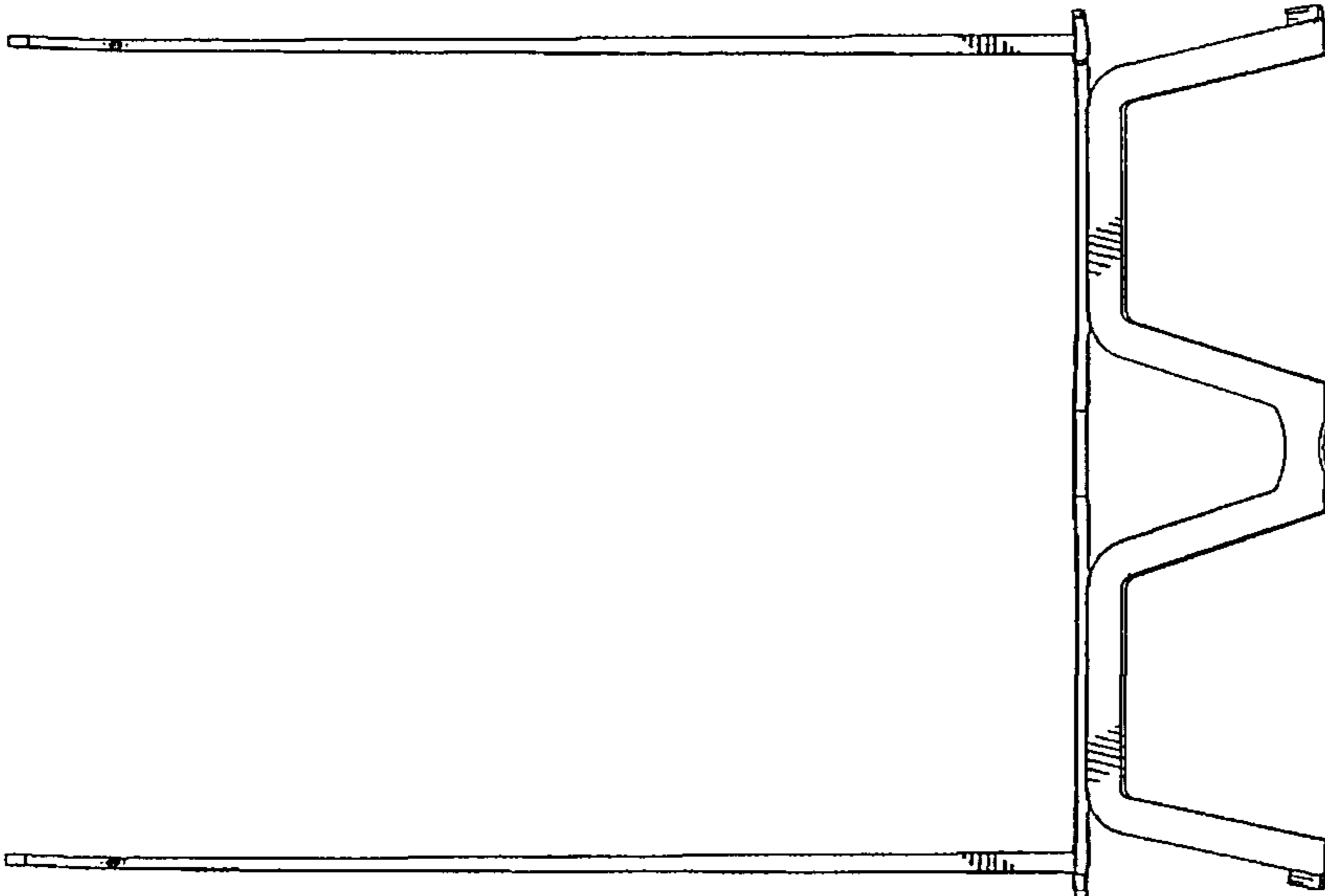


FIG. 7