



US00D722098S

(12) **United States Design Patent**
Hamaue et al.

(10) **Patent No.:** **US D722,098 S**

(45) **Date of Patent:** **** Feb. 3, 2015**

(54) **INFORMATION DISPLAY TERMINAL**

(71) Applicant: **Casio Keisanki Kabushiki Kaisha**,
Shibuya-ku, Tokyo (JP)

(72) Inventors: **Tomohiro Hamaue**, Tokyo (JP); **Yozo Yamamoto**, Fuchu (JP); **Kazuhito Sakaguchi**, Atsugi (JP)

(73) Assignee: **Casio Keisanki Kabushiki Kaisha**,
Tokyo (JP)

(**) Term: **14 Years**

(21) Appl. No.: **29/471,275**

(22) Filed: **Oct. 30, 2013**

(51) **LOC (10) Cl.** **16-02**

(52) **U.S. Cl.**
USPC **D16/225**

(58) **Field of Classification Search**
USPC D16/221, 225, 228-235; D21/514;
353/115, 119, 122, 39
See application file for complete search history.

(56) **References Cited**

U.S. PATENT DOCUMENTS

5,823,651 A * 10/1998 Helot et al. 353/119
D623,678 S * 9/2010 Nakayama et al. D16/225
7,901,092 B2 * 3/2011 Adachi et al. 353/119
D647,941 S * 11/2011 Yuyama D16/230

D663,760 S * 7/2012 Miyauchi et al. D16/230
D678,930 S * 3/2013 Ho D16/229
D681,091 S * 4/2013 Morita et al. D16/230
D691,650 S * 10/2013 Takeda et al. D16/230
2011/0128510 A1 * 6/2011 Matsumoto et al. 353/119
2011/0279787 A1 * 11/2011 Yoshimura et al. 353/57
2013/0286364 A1 * 10/2013 Sung et al. 353/119

* cited by examiner

Primary Examiner — Wan Laymon

(74) *Attorney, Agent, or Firm* — Holtz, Holtz, Goodman & Chick PC

(57) **CLAIM**

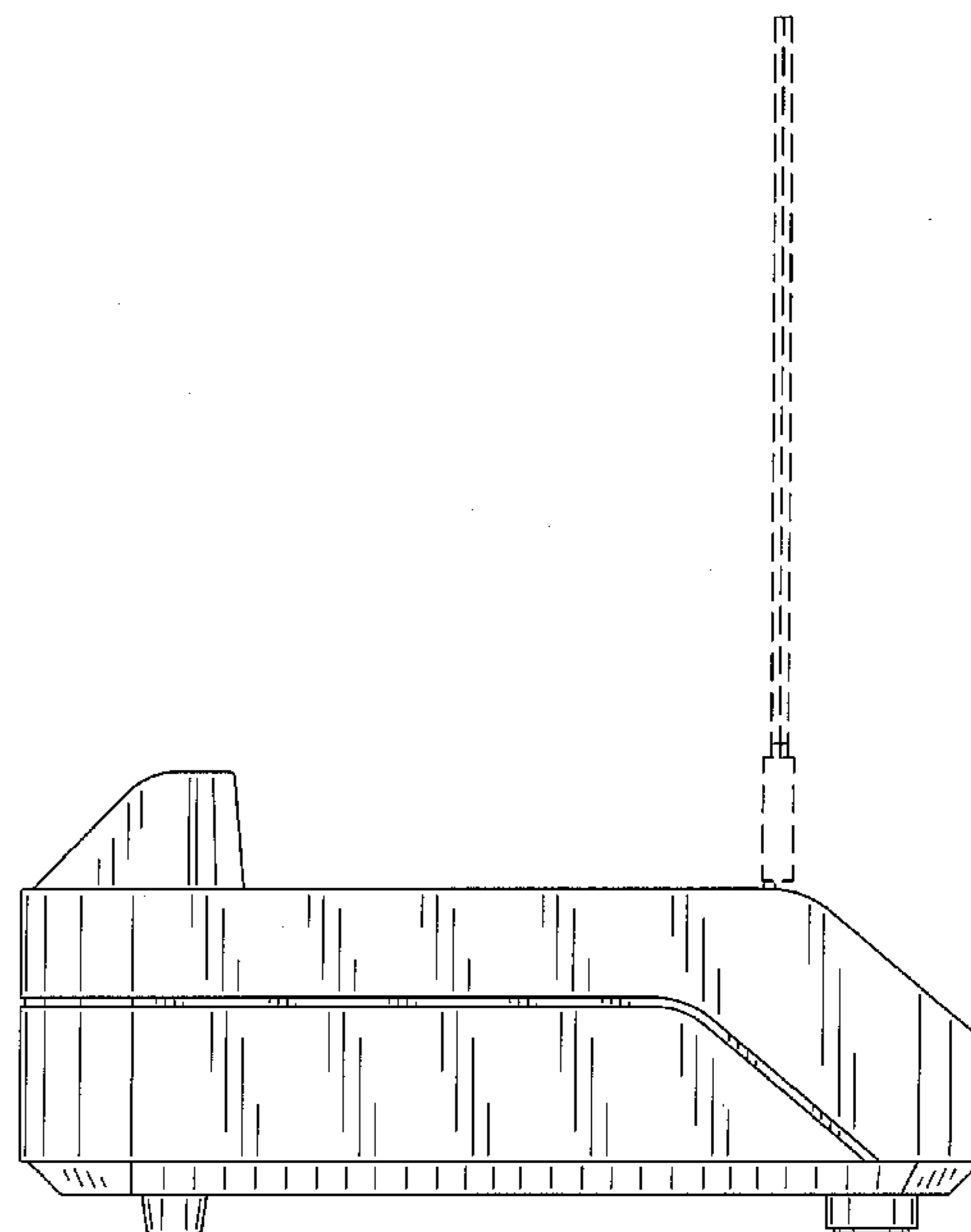
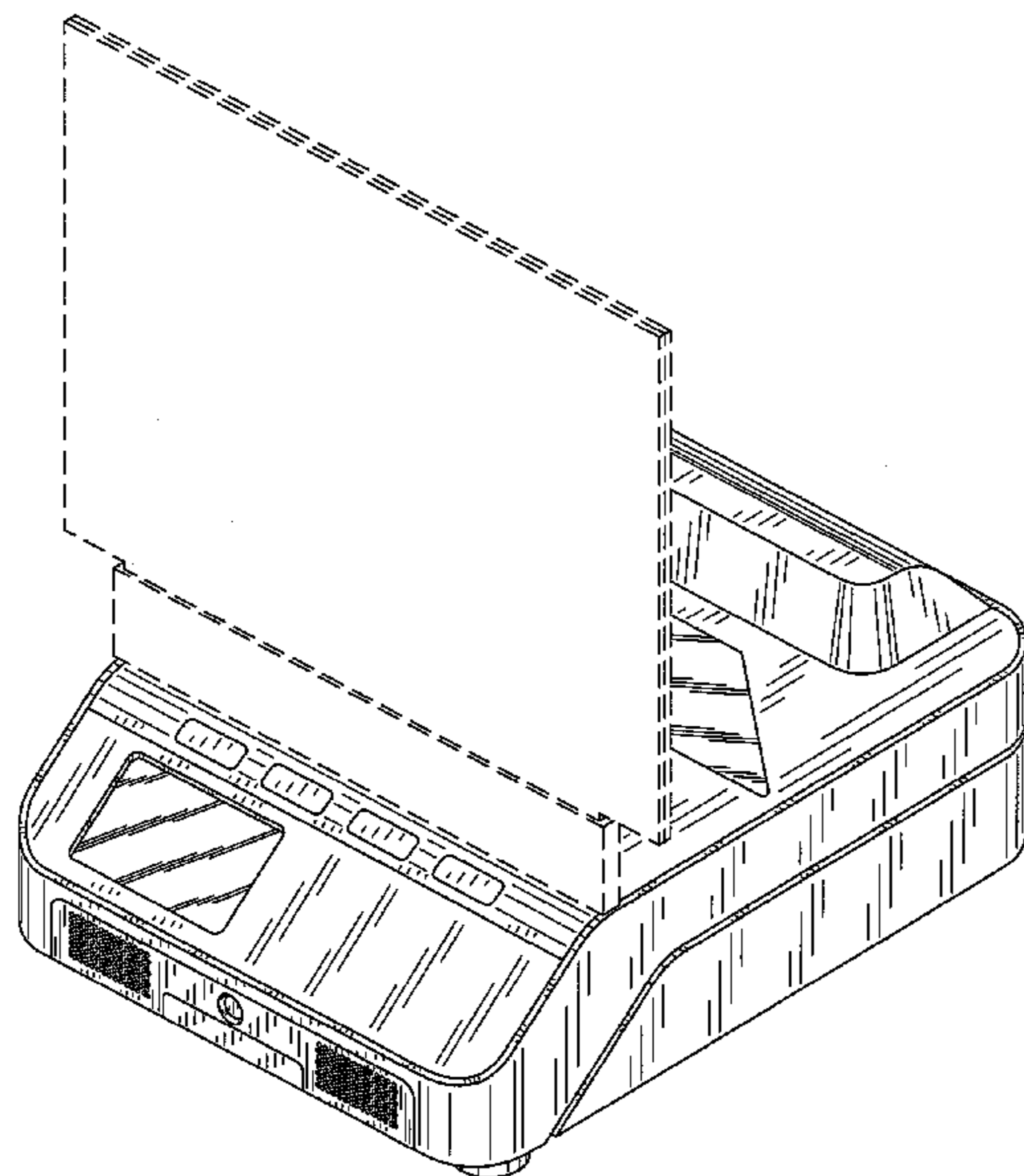
The ornamental design for an information display terminal, as shown and described.

DESCRIPTION

FIG. 1 is a front, right side, top perspective view of an information display terminal showing our new design;
FIG. 2 is a front elevational view thereof;
FIG. 3 is a rear elevational view thereof;
FIG. 4 is a left side view thereof;
FIG. 5 is a right side view thereof;
FIG. 6 is a top plan view thereof;
FIG. 7 is a bottom plan view thereof;
FIG. 8 is a reference perspective view thereof, showing a state in which a panel part is detached; and,
FIG. 9 is a reference top plan view thereof, showing a transparent part by diagonal lines.

The broken lines shown in the figures represent portions of the information display terminal that form no part of the claimed design.

1 Claim, 9 Drawing Sheets



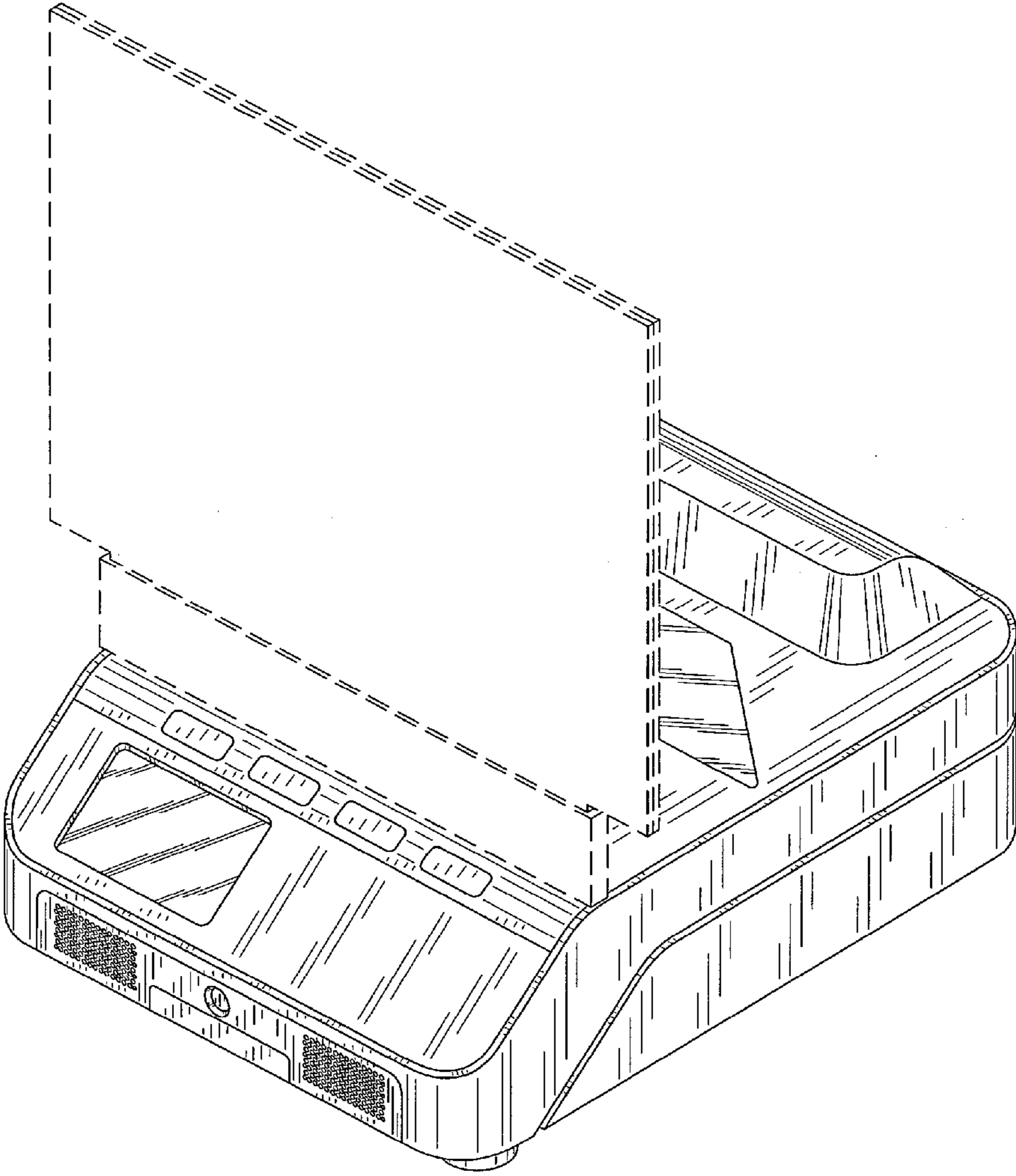


FIG. 1

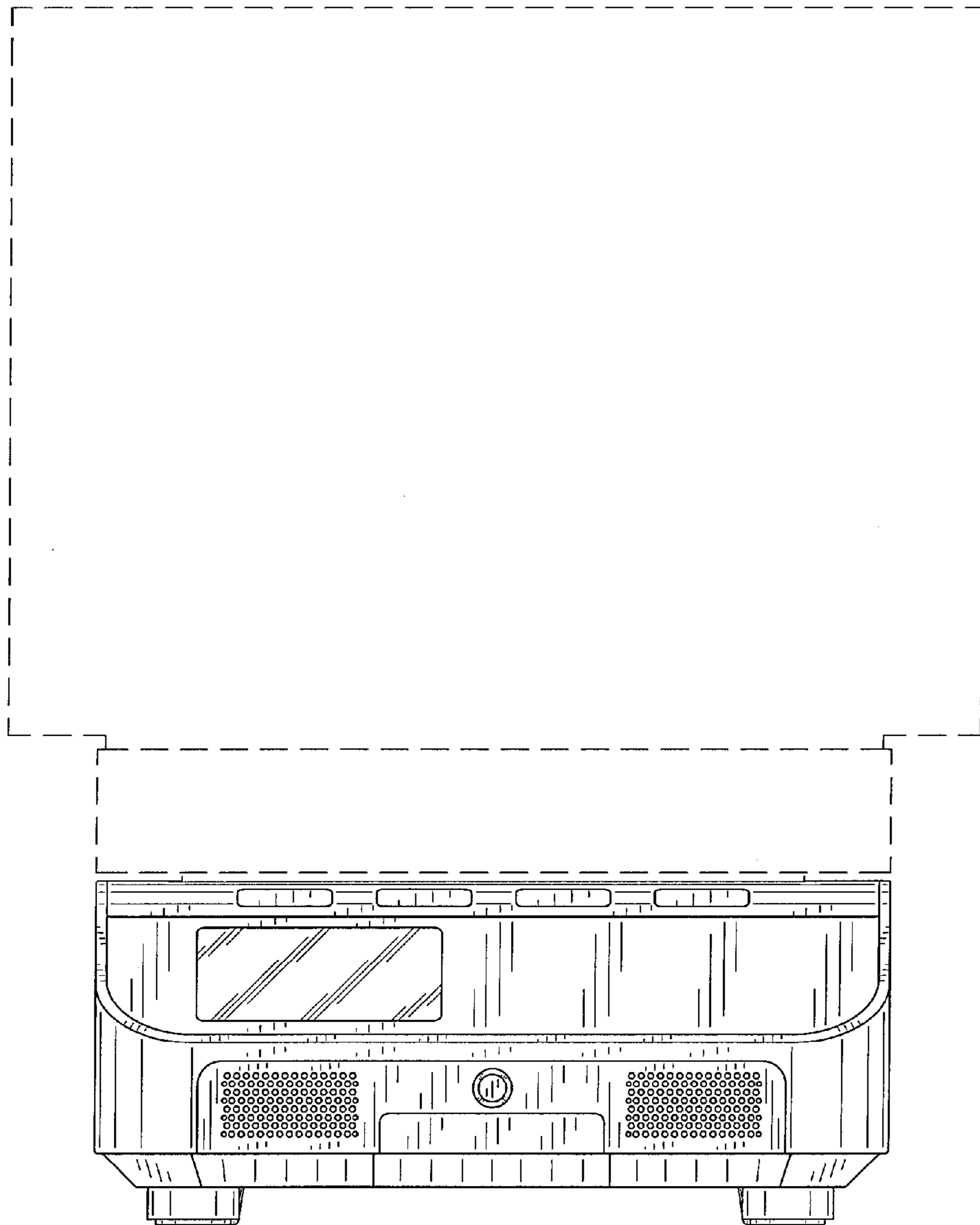


FIG. 2

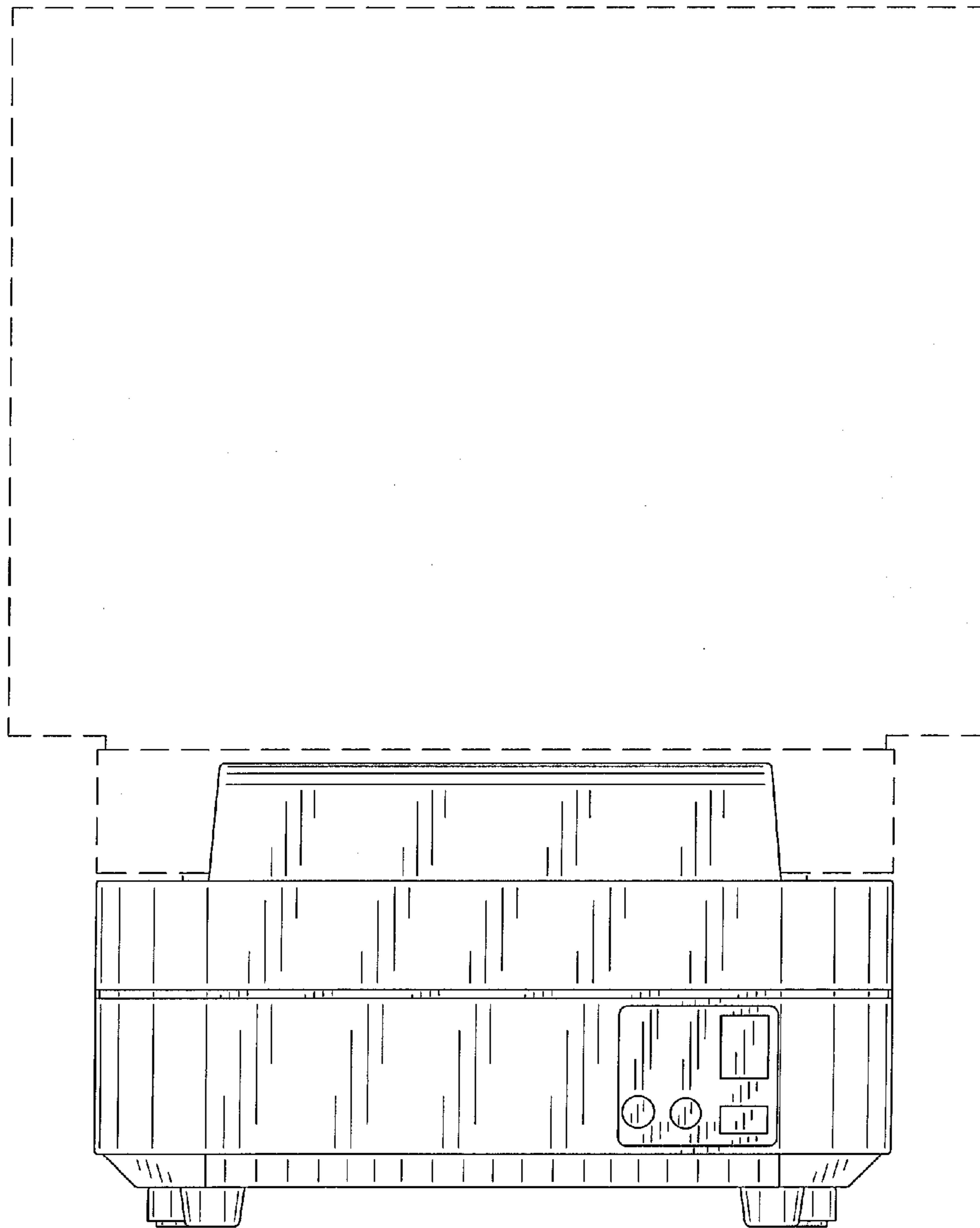


FIG. 3

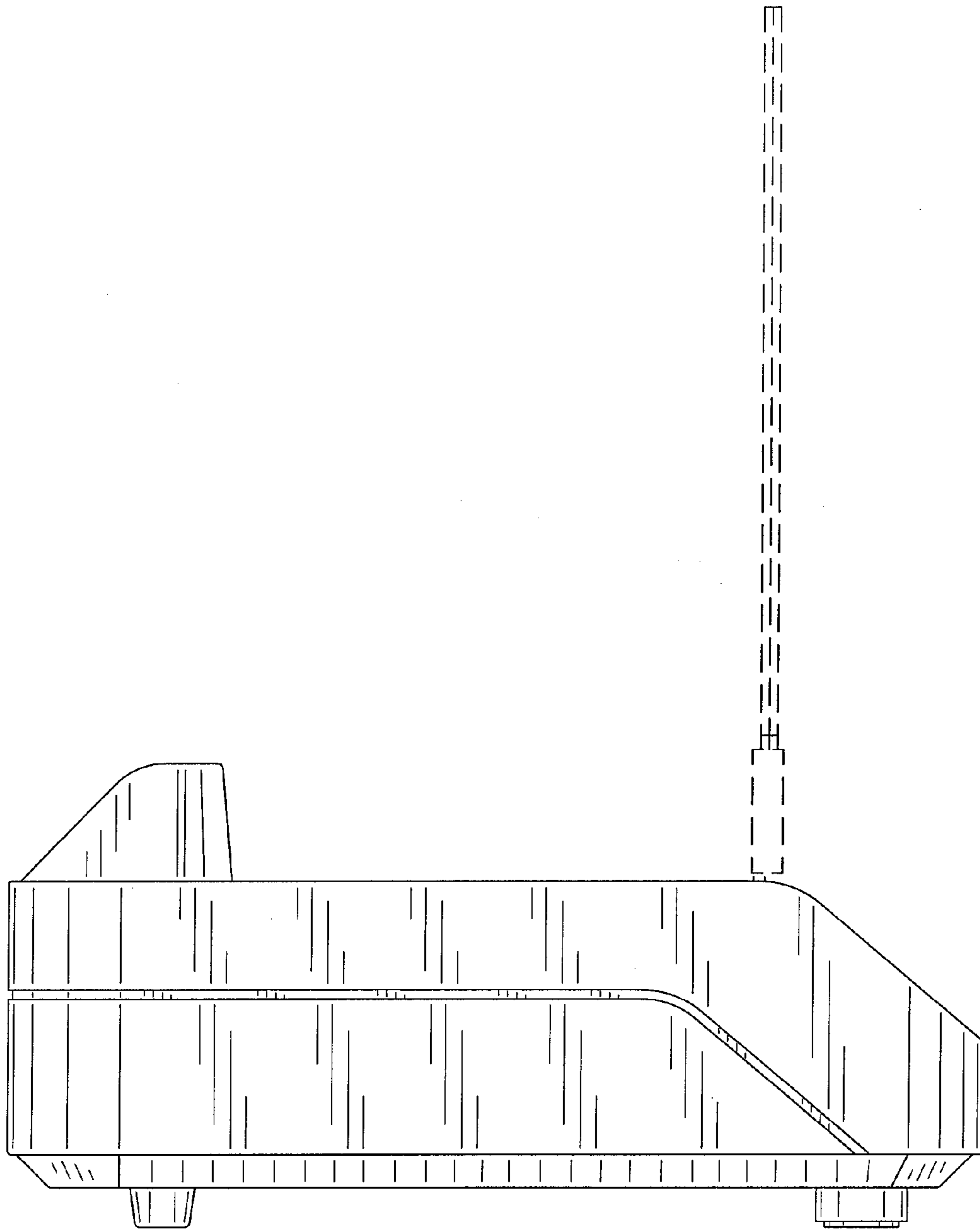


FIG. 4

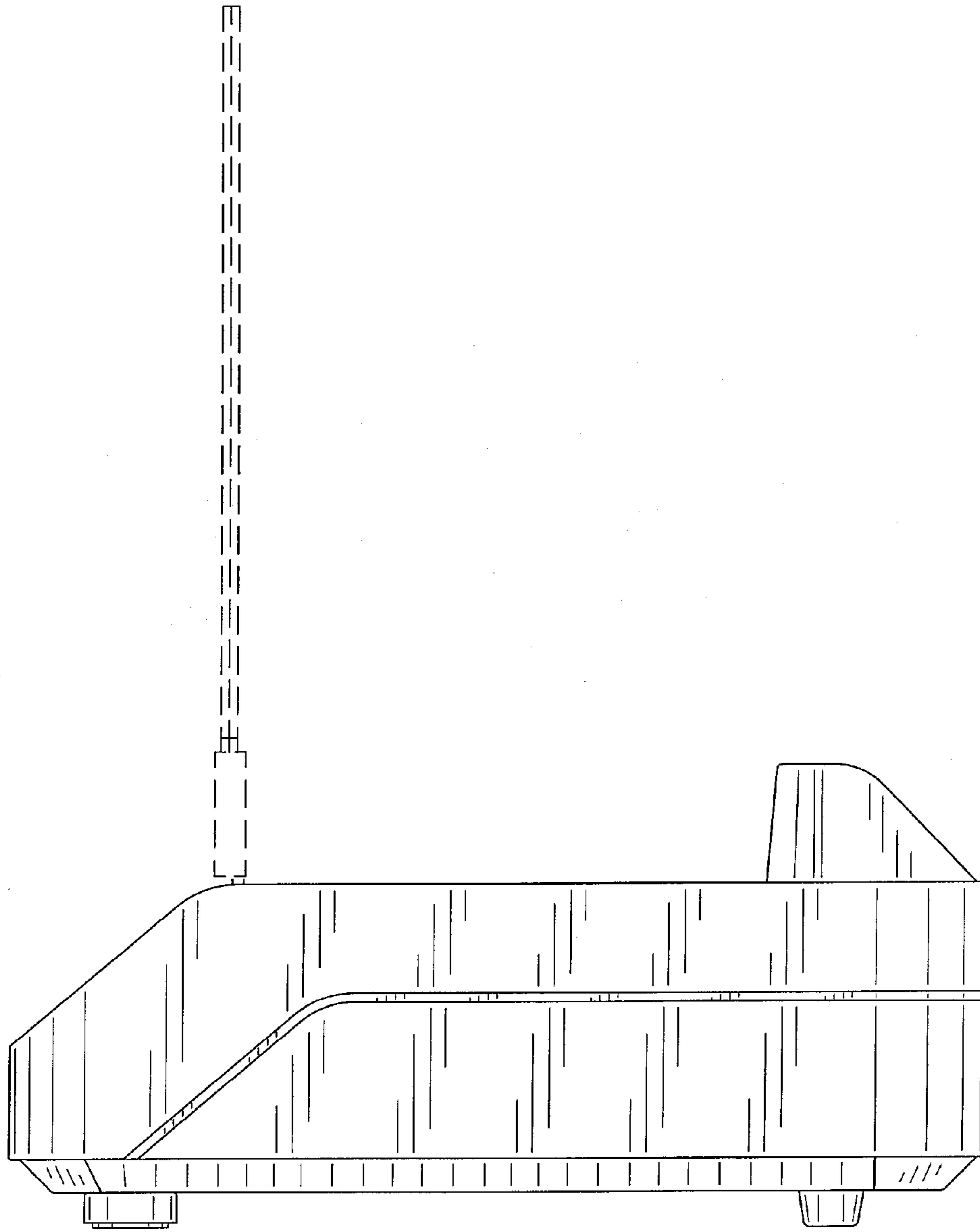


FIG. 5

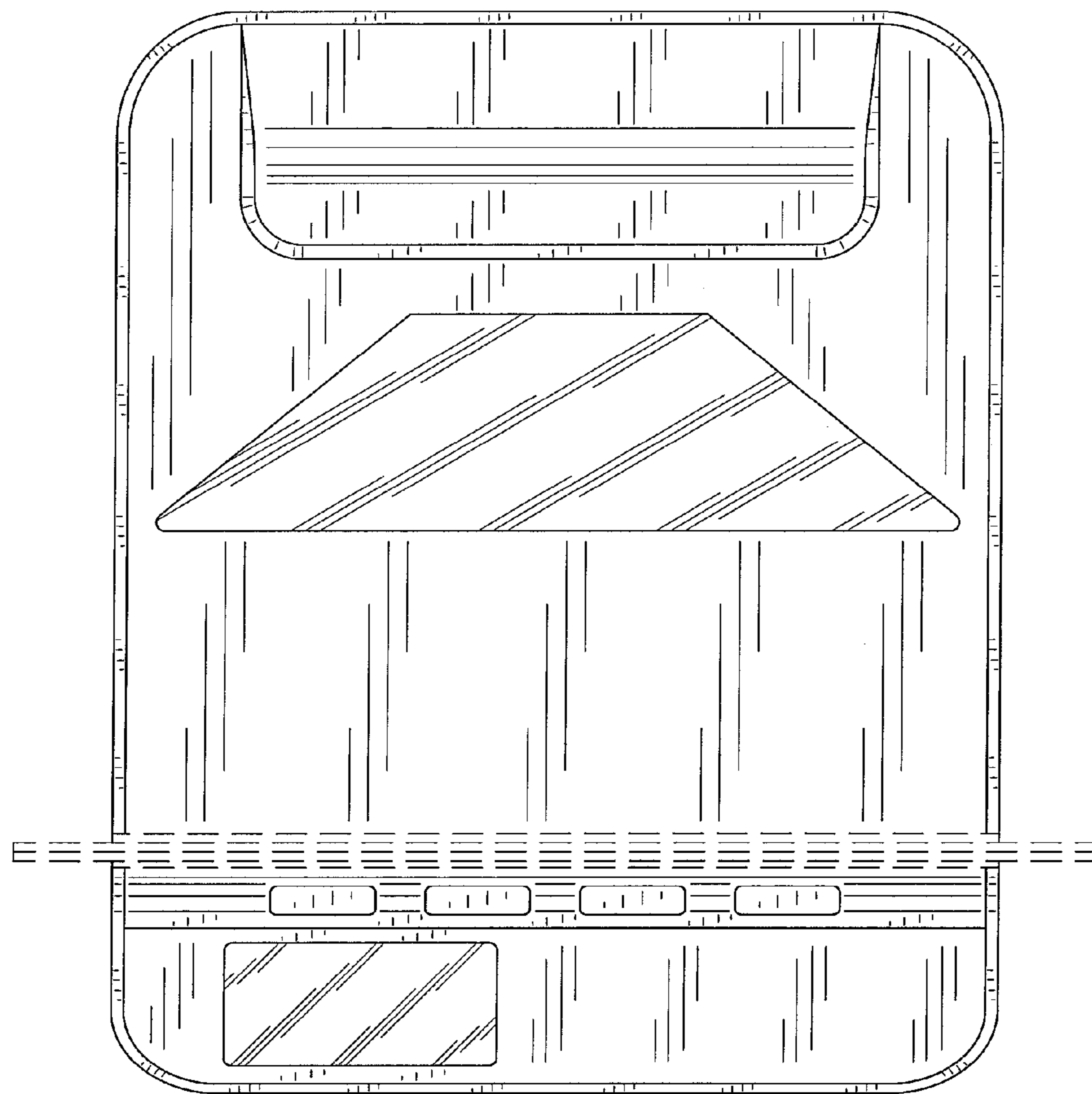


FIG. 6

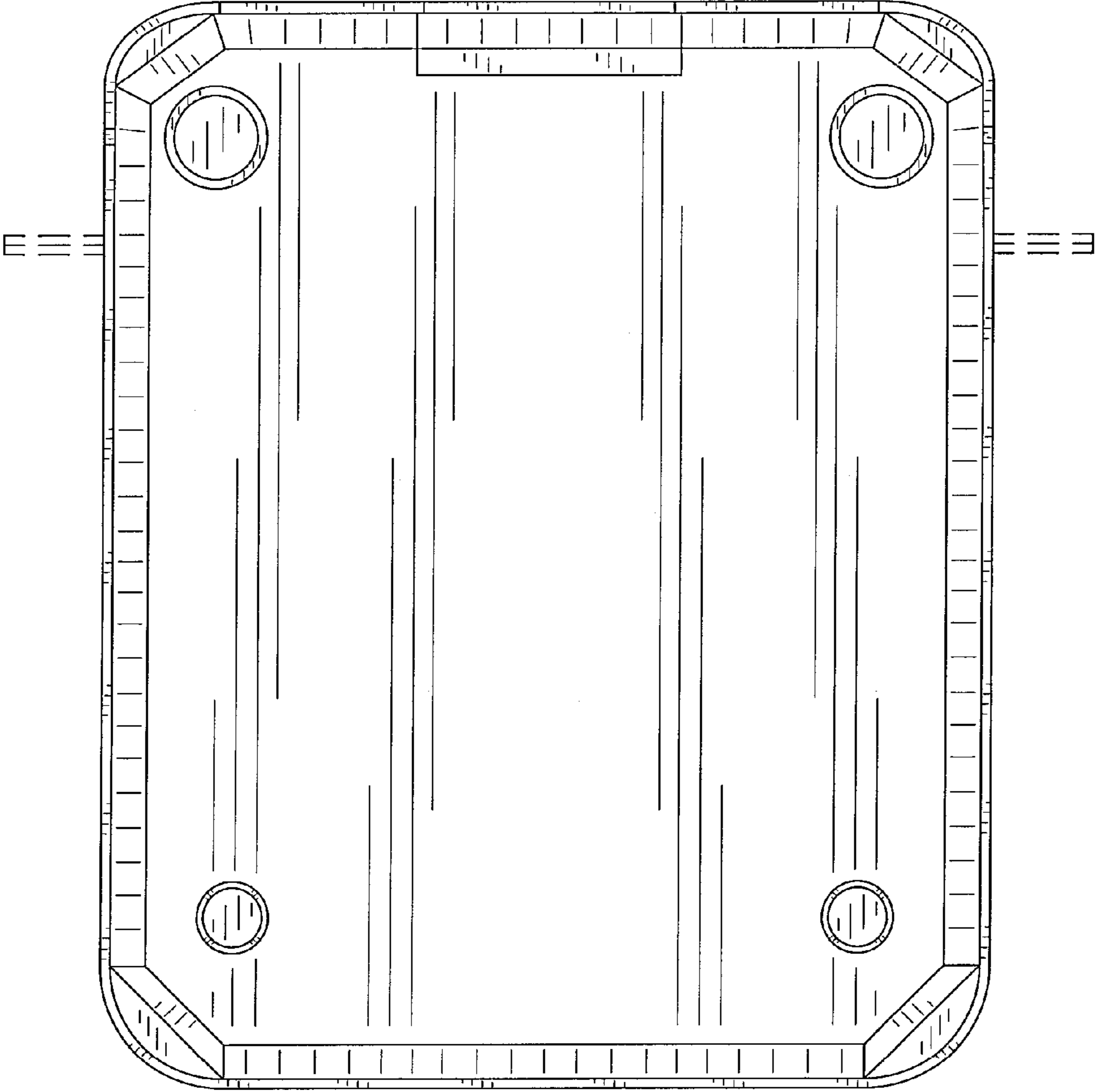


FIG. 7

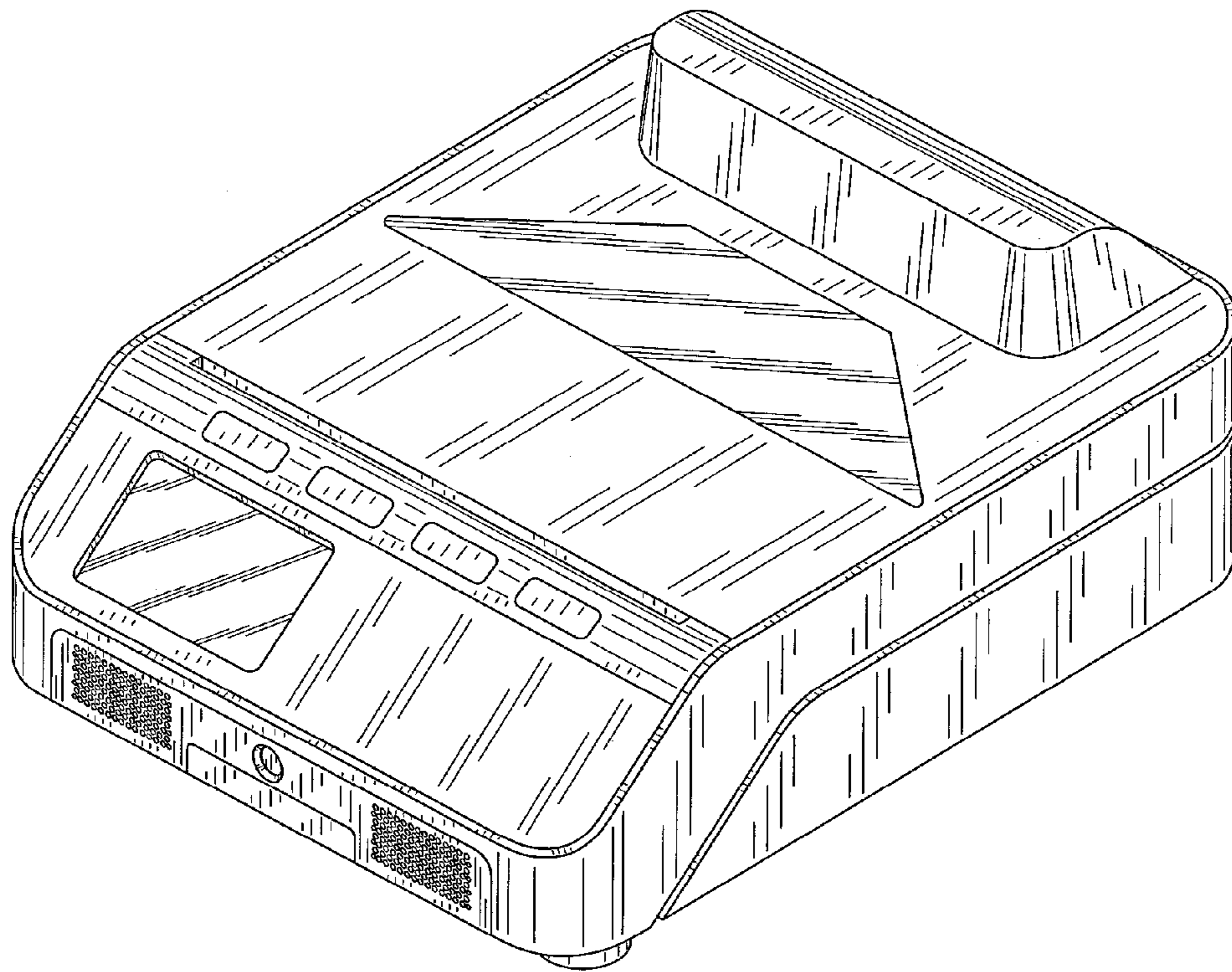


FIG. 8

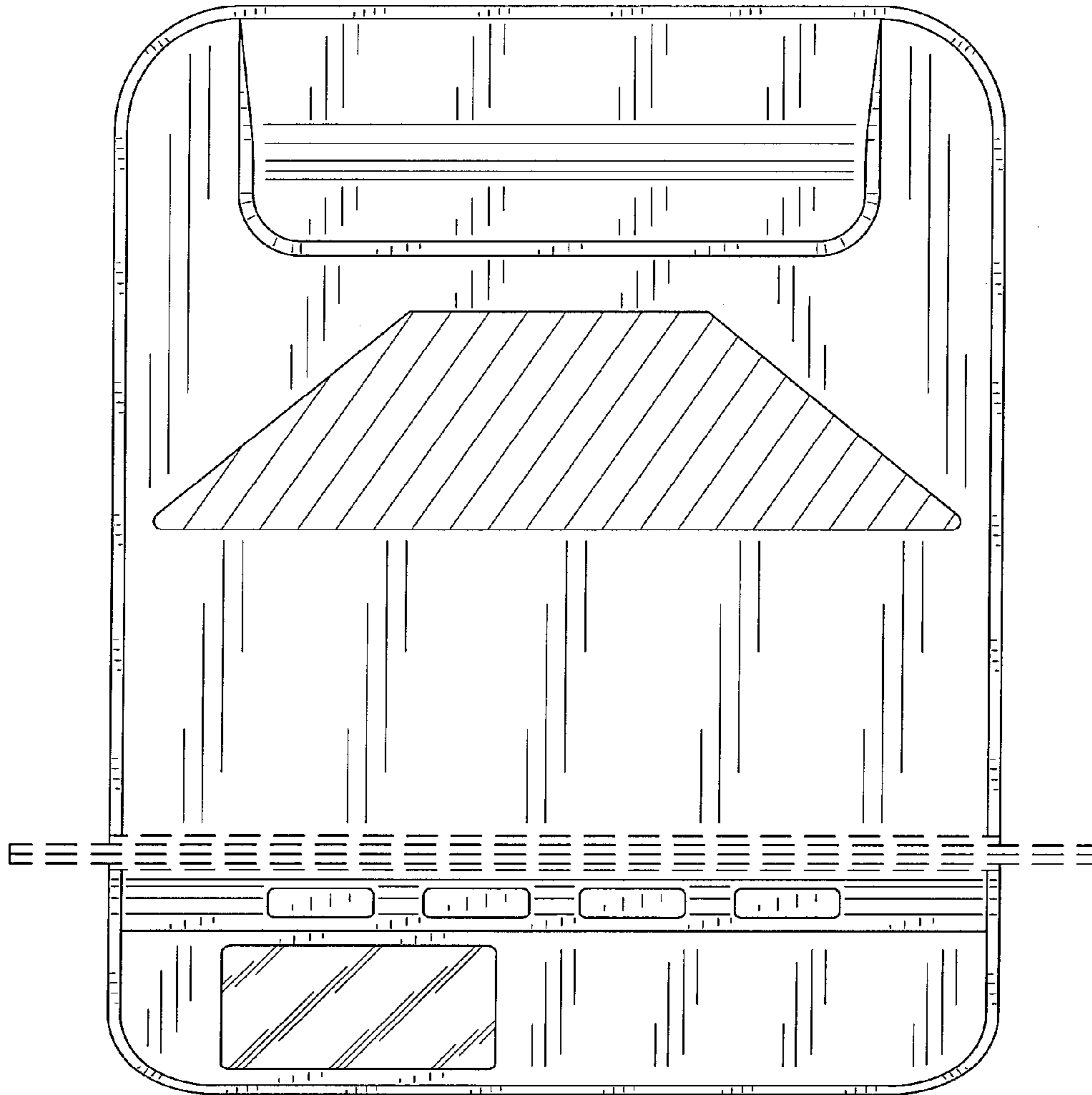


FIG. 9