



US00D722097S

(12) **United States Design Patent**
Kim

(10) **Patent No.:** **US D722,097 S**

(45) **Date of Patent:** **** Feb. 3, 2015**

(54) **CAMERA COVER**

(71) Applicant: **Samsung Electronics Co., Ltd.**,
Suwon-si, Gyeonggi-do (KR)

(72) Inventor: **Min-Geun Kim**, Goyang-Si (KR)

(73) Assignee: **Samsung Electronics Co., Ltd.**,
Suwon-si (KR)

(**) Term: **14 Years**

(21) Appl. No.: **29/446,910**

(22) Filed: **Feb. 28, 2013**

(30) **Foreign Application Priority Data**

Aug. 28, 2012 (KR) 30-2012-0041126

(51) **LOC (10) Cl.** **16-05**

(52) **U.S. Cl.**
USPC **D16/219; D16/237**

(58) **Field of Classification Search**
CPC G03B 15/03; G03B 17/02; G03B 17/04;
G03B 17/56; G03B 19/04; H04N 5/2251;
H04N 5/2252; H04N 5/2253; H04N 5/2254;
H04N 2101/00

USPC D16/200, 202–206, 208, 209, 212, 213,
D16/218, 219, 237; D3/267, 269;
348/373–376; 396/535, 539–541

See application file for complete search history.

(56) **References Cited**

U.S. PATENT DOCUMENTS

D630,627	S	*	1/2011	Fujita et al.	D14/318
8,379,144	B2	*	2/2013	Nam	348/375
D684,204	S	*	6/2013	Uemachi	D16/202
D685,834	S	*	7/2013	Chai et al.	D16/202
D689,914	S	*	9/2013	Uemachi et al.	D16/202
D694,302	S	*	11/2013	Lee et al.	D16/202
D695,328	S	*	12/2013	Sul	D16/202
D695,803	S	*	12/2013	Kyunghan et al.	D16/202
D698,838	S	*	2/2014	Tainaka	D16/200

* cited by examiner

Primary Examiner — Phillip S Hyder
Assistant Examiner — Ramzi Almatrahi
(74) *Attorney, Agent, or Firm* — NSIP Law

(57) **CLAIM**

I claim the ornamental design for a camera cover, as shown and described.

DESCRIPTION

FIG. 1 is a front perspective view of a camera cover;
FIG. 2 is a front view thereof;
FIG. 3 is a rear view thereof;
FIG. 4 is a left-side view thereof;
FIG. 5 is a right-side view thereof;
FIG. 6 is a top plan view thereof;
FIG. 7 is a bottom plan view thereof; and,
FIG. 8 is a partial enlarged view of FIG. 6 taken along line 8-8 to clearly depict a design feature.
Features shown in broken lines in FIGS. 1, 4, and 5, form no part of the claimed design.

1 Claim, 7 Drawing Sheets

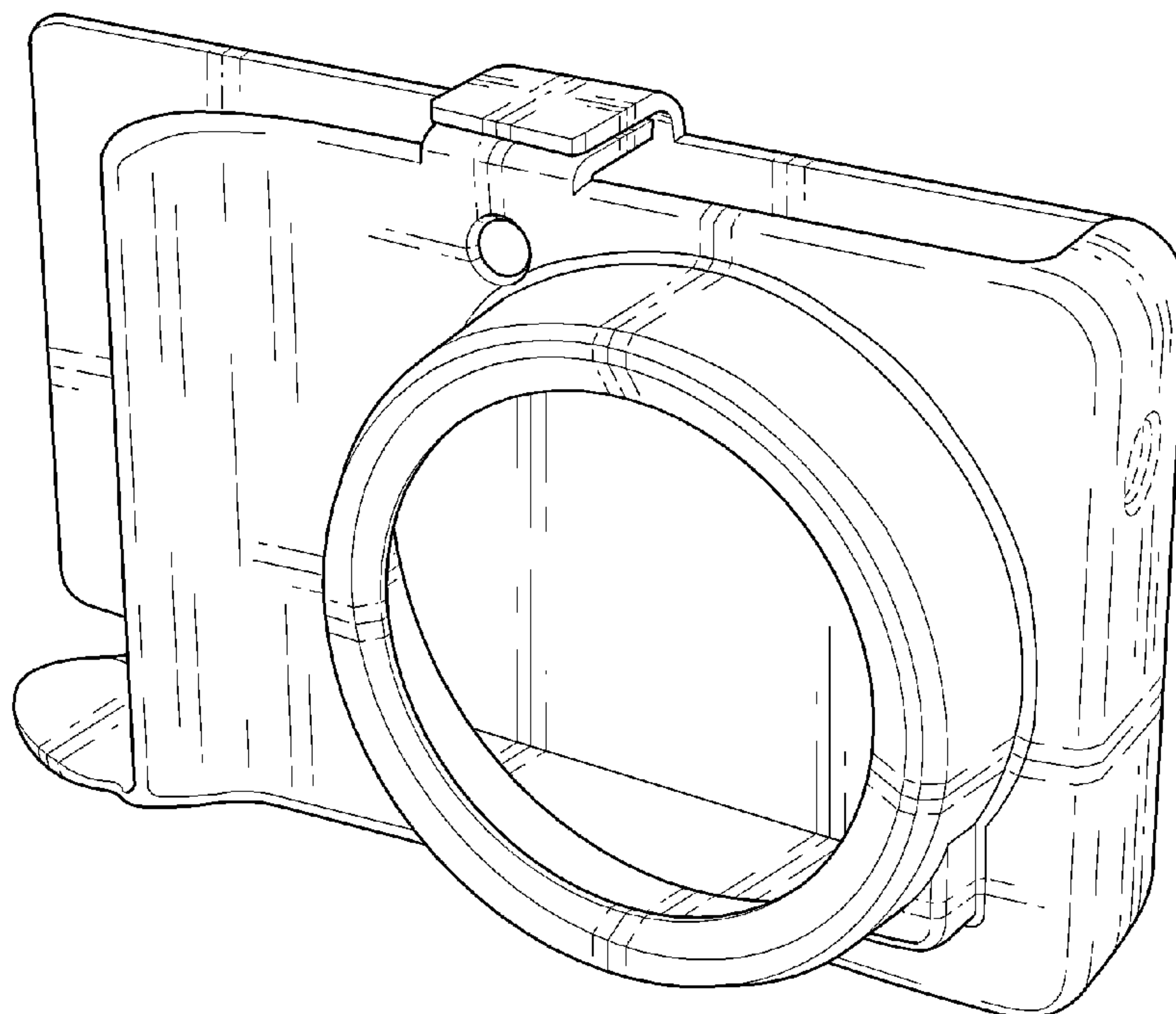


FIG. 1

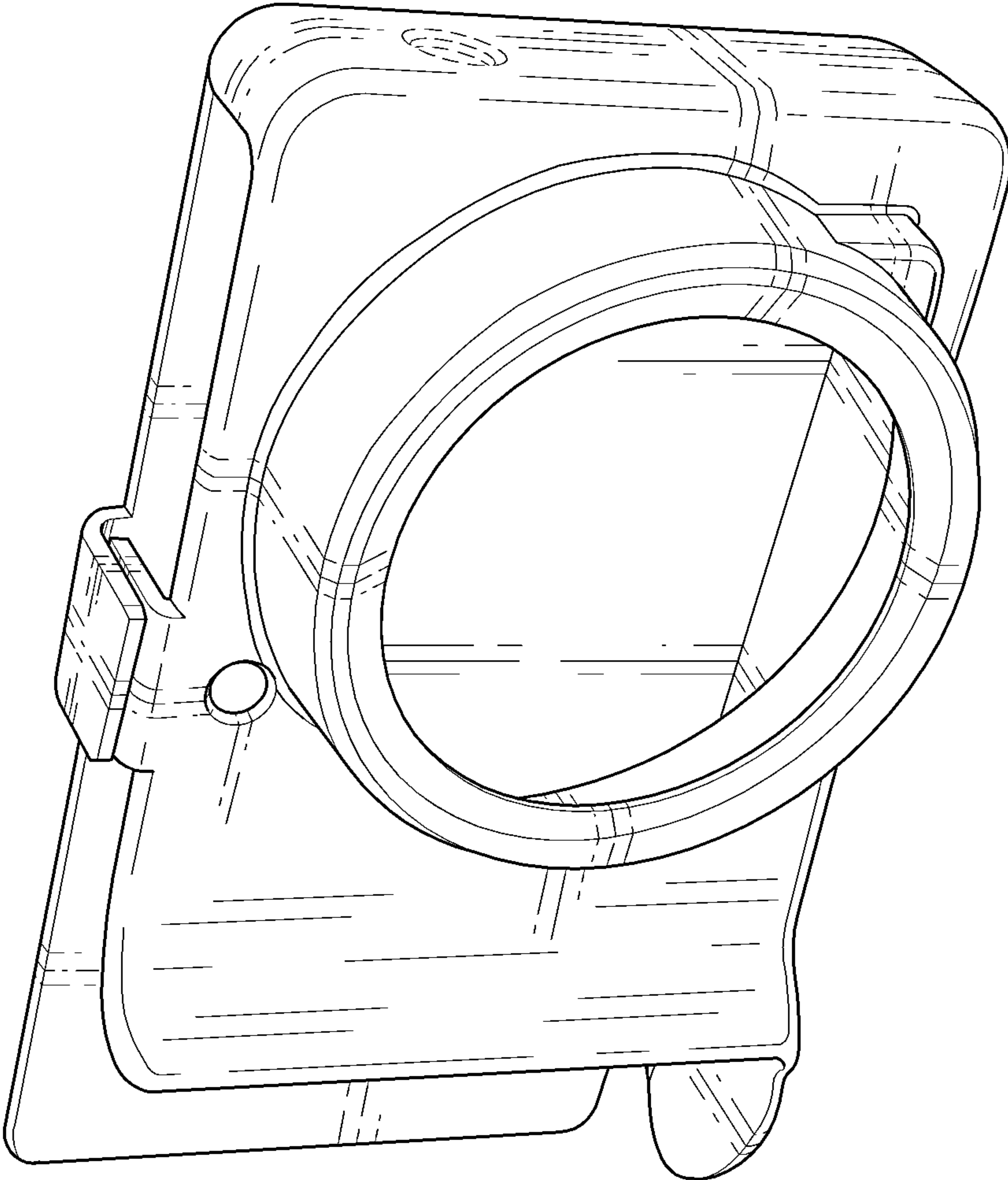


FIG. 2

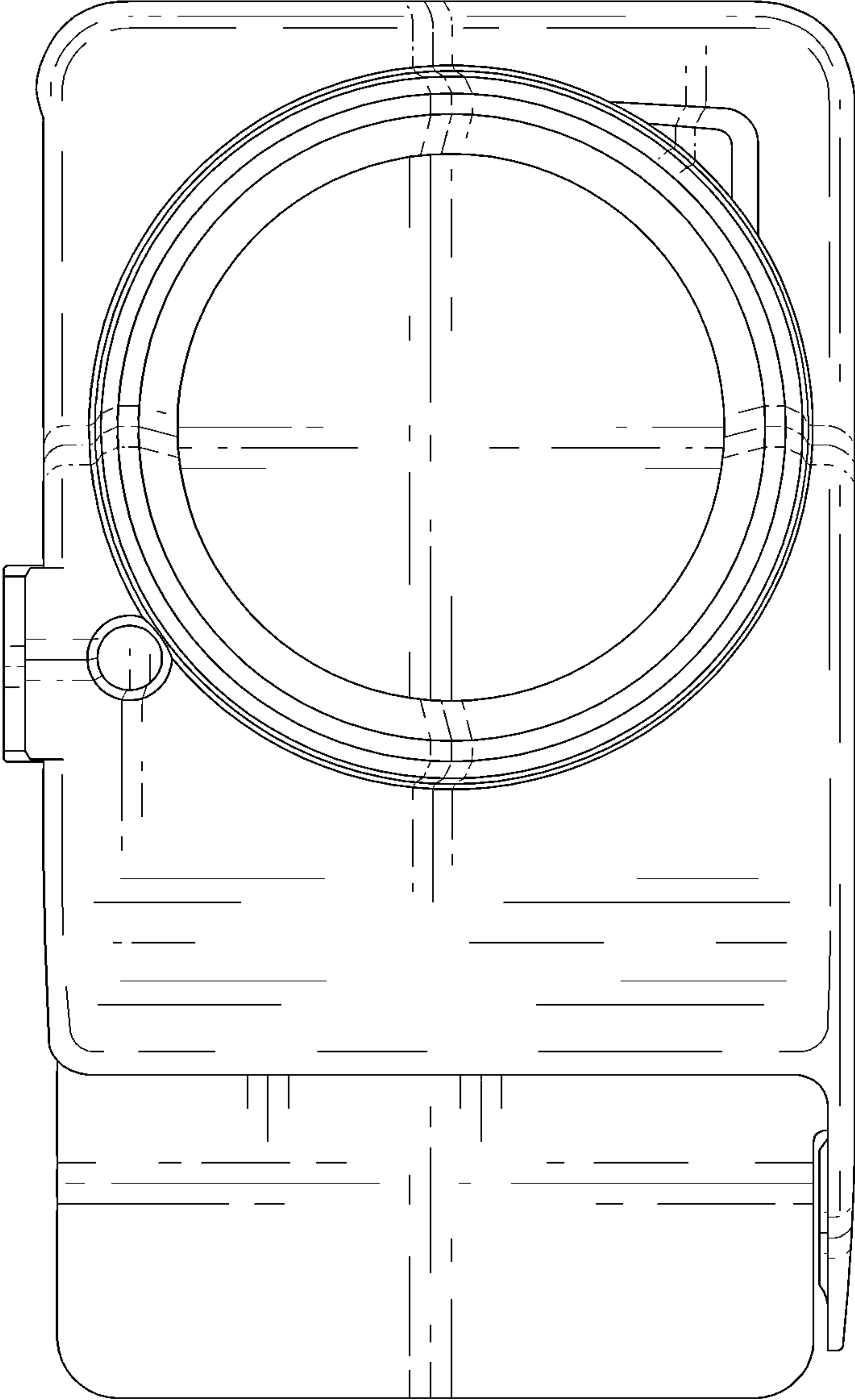


FIG. 3

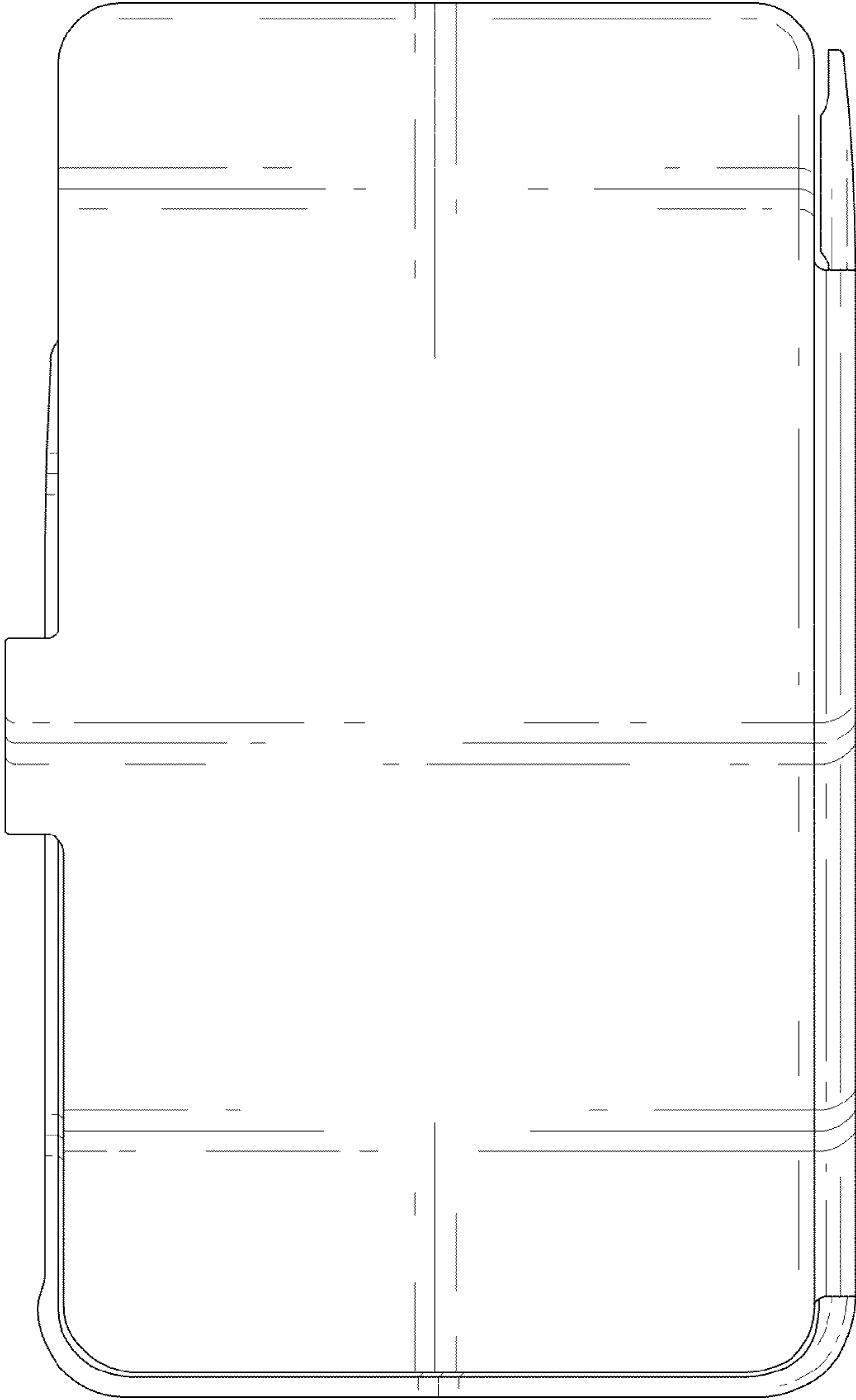


FIG. 5

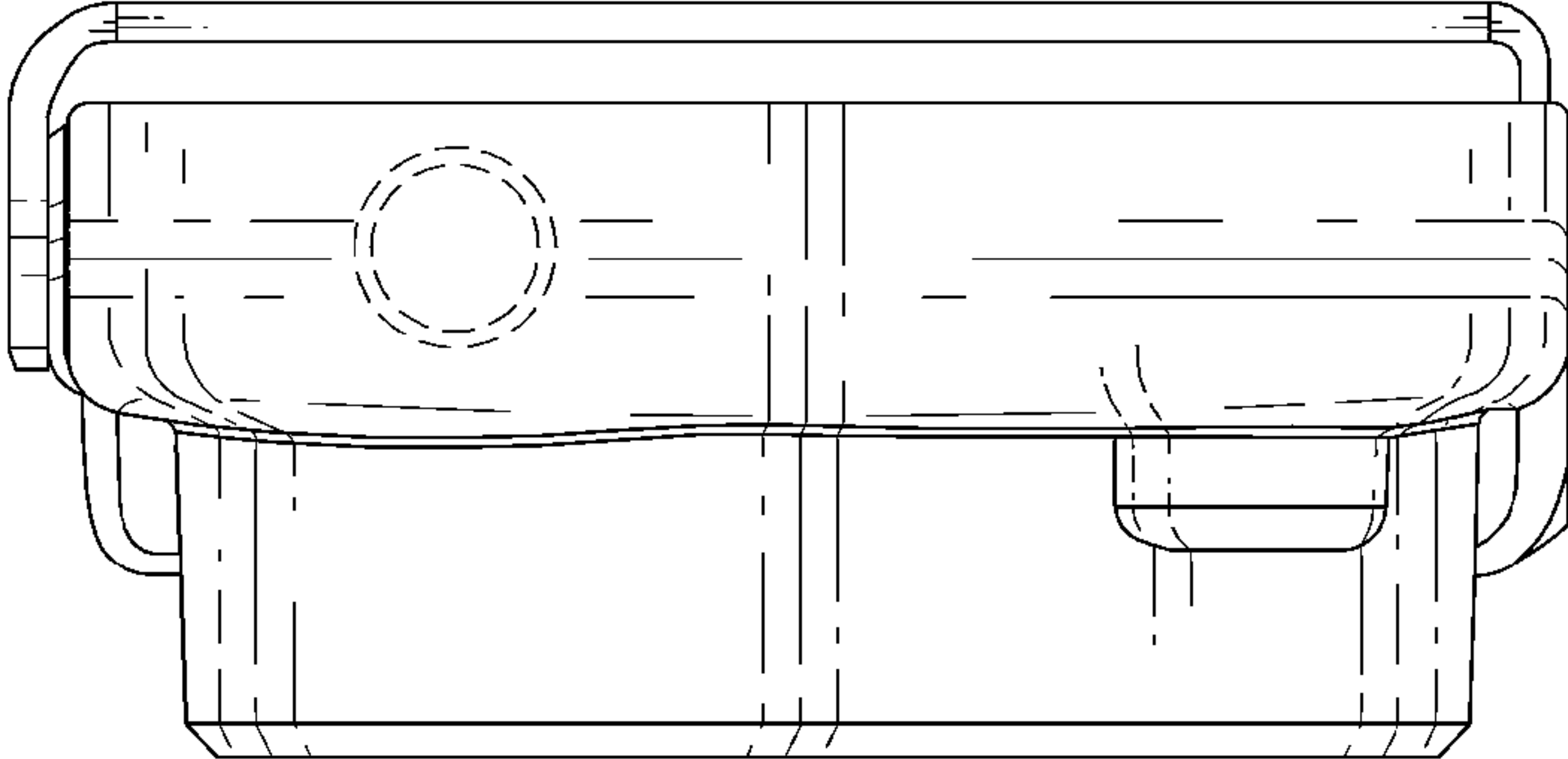


FIG. 4

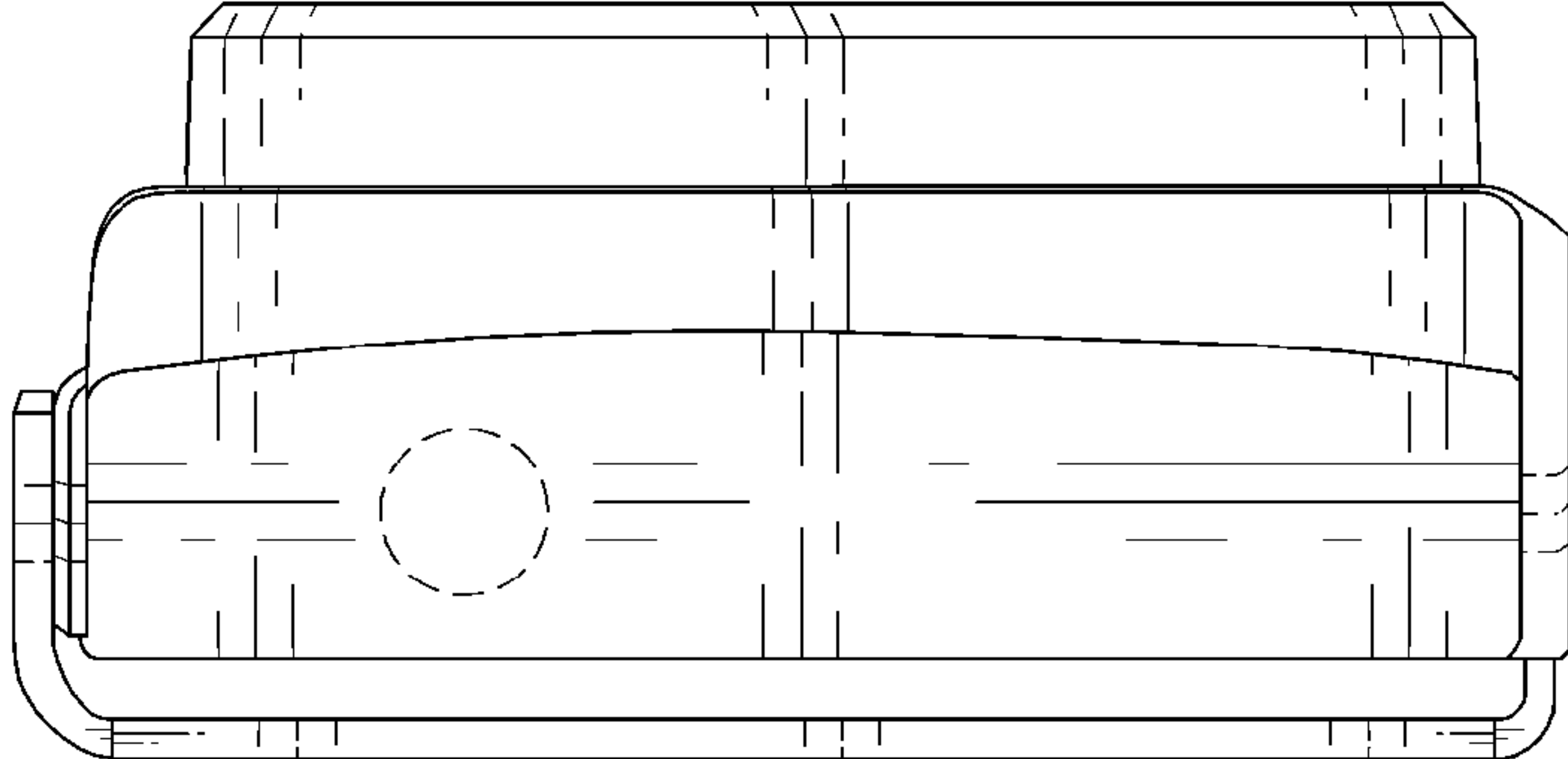


FIG. 6

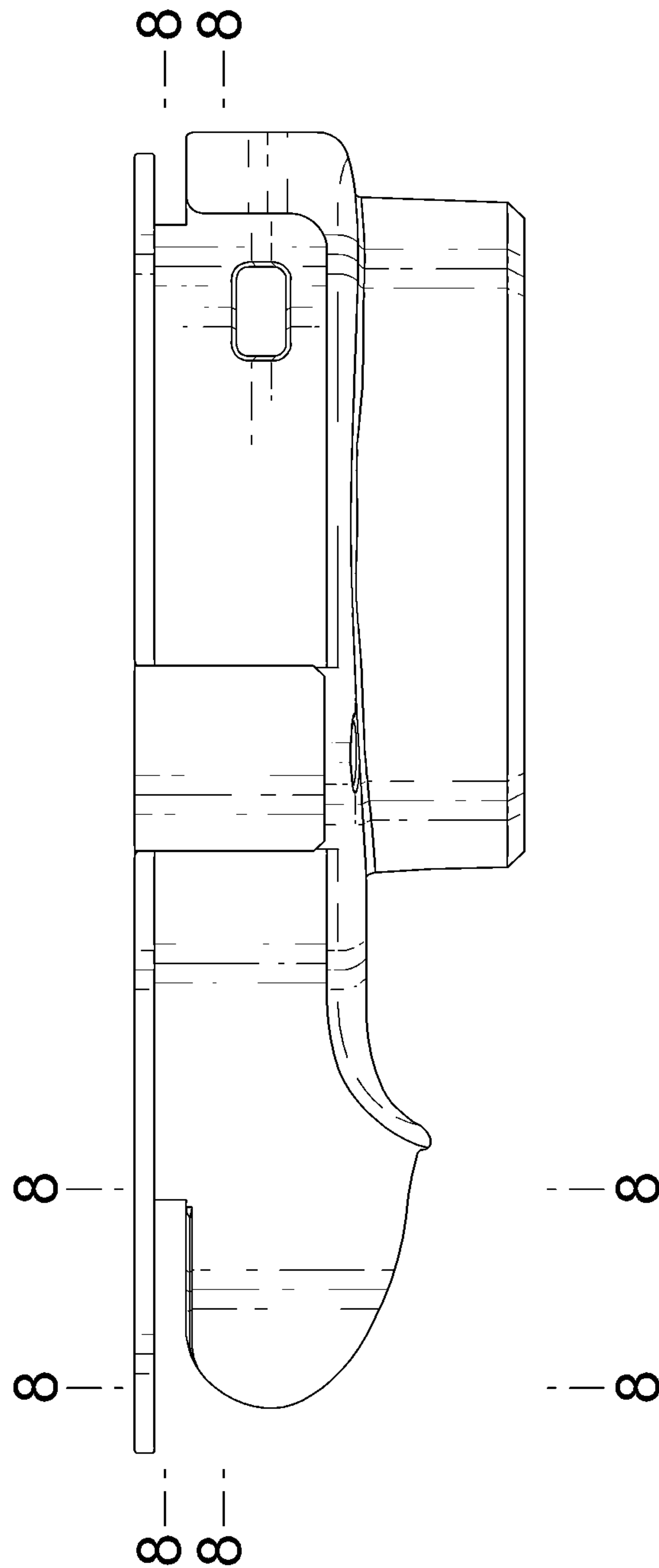


FIG. 7

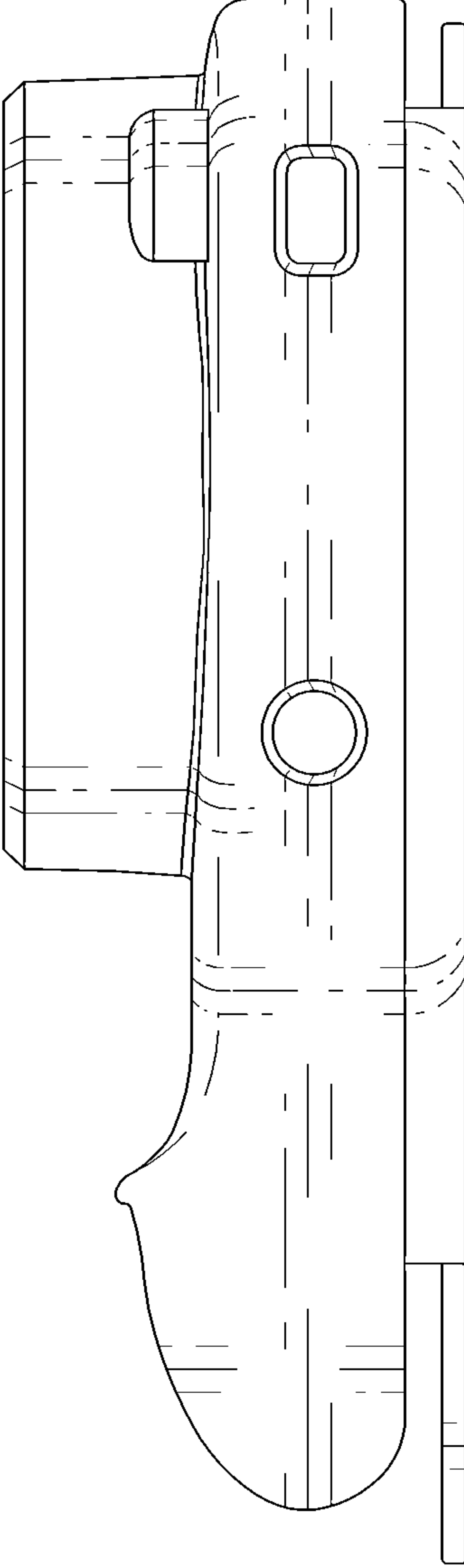


FIG. 8

