



US00D722095S

(12) **United States Design Patent**  
**Miyamori et al.**

(10) **Patent No.:** **US D722,095 S**  
(45) **Date of Patent:** **\*\* Feb. 3, 2015**

(54) **VIDEO CAMERA**

(71) Applicant: **JVC Kenwood Corporation**, Kanagawa (JP)

(72) Inventors: **Akihiko Miyamori**, Kanagawa (JP);  
**Eiichiro Hayashi**, Tokyo (JP)

(73) Assignee: **JVC Kenwood Corporation**, Kanagawa (JP)

(\*\*) Term: **14 Years**

(21) Appl. No.: **29/470,087**

(22) Filed: **Oct. 17, 2013**

(30) **Foreign Application Priority Data**

Apr. 24, 2013 (JP) ..... 2013-009224

(51) **LOC (10) Cl.** ..... **16-01**

(52) **U.S. Cl.**  
USPC ..... **D16/203**

(58) **Field of Classification Search**  
USPC ..... D16/200, 202, 203, 204, 208, 218;  
348/373-376; 396/427, 535-541  
See application file for complete search history.

(56) **References Cited**

**U.S. PATENT DOCUMENTS**

D426,844 S \* 6/2000 Fujii ..... D16/203  
6,683,654 B1 \* 1/2004 Haijima ..... 348/374

D529,063 S \* 9/2006 Cheng ..... D16/203  
D600,264 S \* 9/2009 Baumgartner ..... D16/203  
7,859,592 B2 \* 12/2010 Takahashi et al. .... 348/373  
D671,585 S \* 11/2012 Mihara et al. .... D16/203  
D694,307 S \* 11/2013 Isozaki ..... D16/203  
D694,797 S \* 12/2013 Parker ..... D16/203  
D695,330 S \* 12/2013 Shimizu et al. .... D16/202

\* cited by examiner

*Primary Examiner* — Adir Aronovich

(74) *Attorney, Agent, or Firm* — Osha Liang LLP

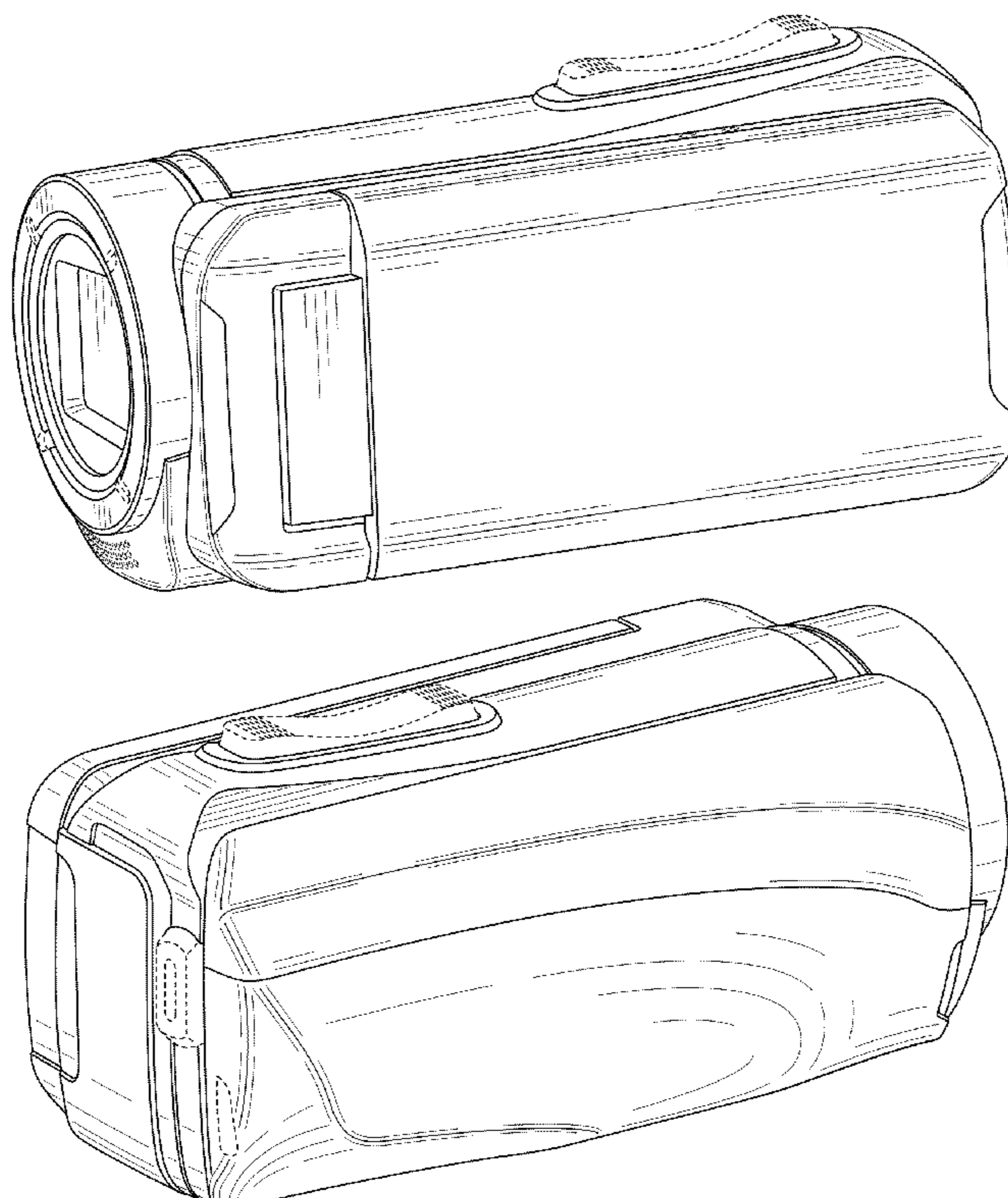
(57) **CLAIM**

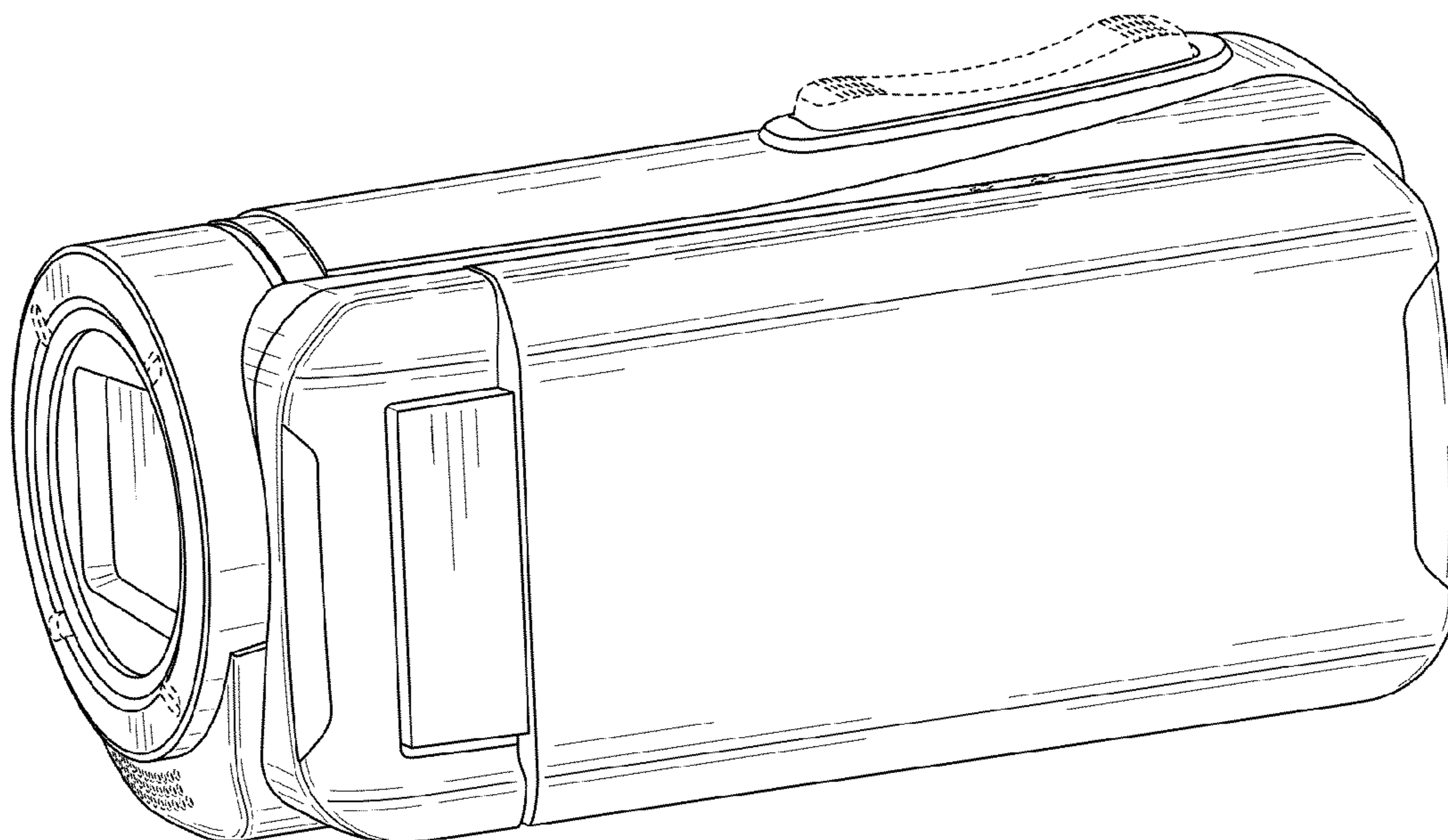
The ornamental design for video camera, as shown and described.

**DESCRIPTION**

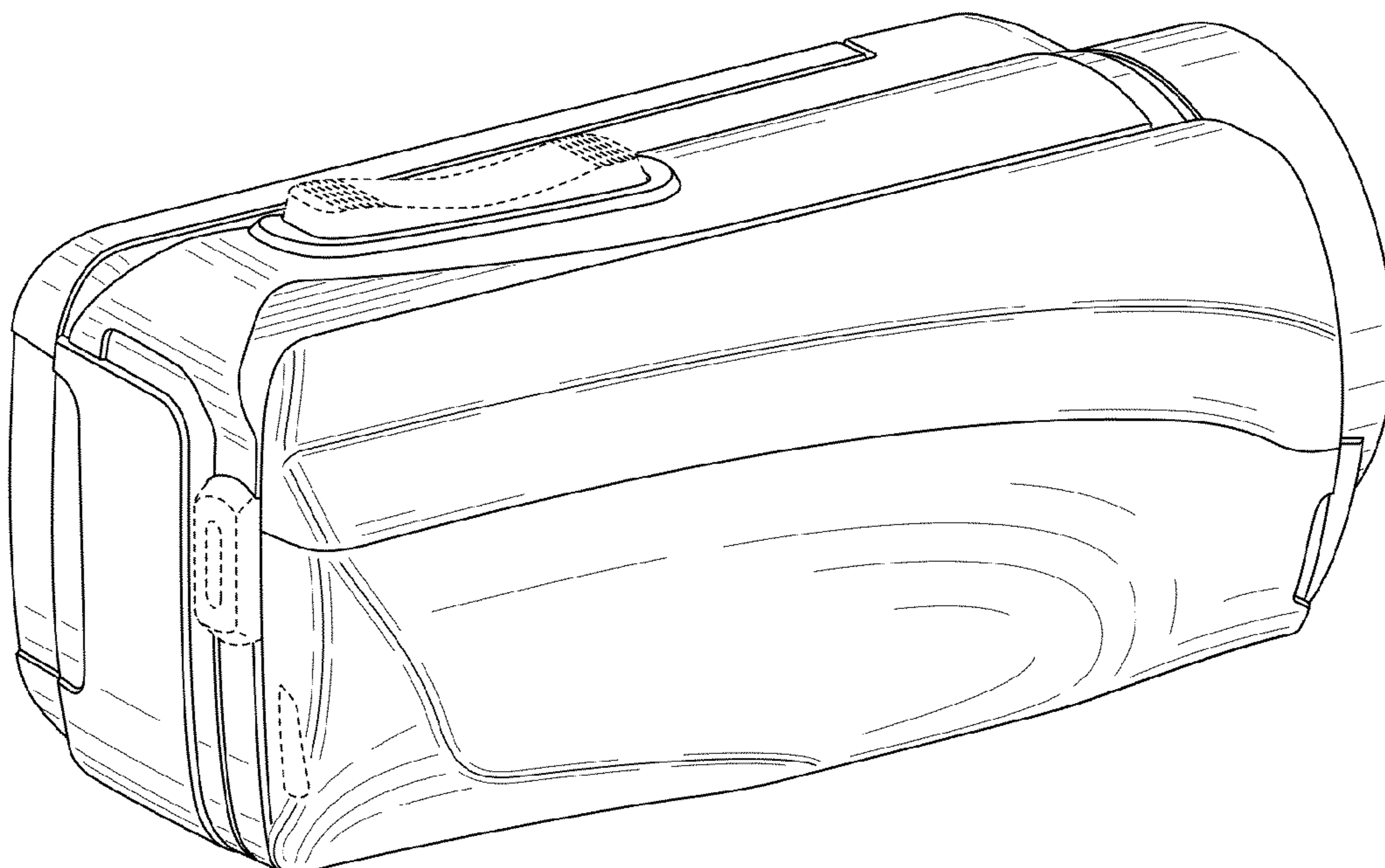
FIG. 1 is a perspective view of front, right and top of video camera showing our new design;  
FIG. 2 is a perspective view of rear, left and top thereof;  
FIG. 3 is a front elevational view thereof;  
FIG. 4 is a rear elevational view thereof;  
FIG. 5 is a left side view thereof;  
FIG. 6 is a right side elevational thereof.  
FIG. 7 is a top plan view thereof; and,  
FIG. 8 is bottom plan view thereof.  
The broken lines shown are included for the purpose of illustrating the unclaimed portions of video camera and form no part of the claimed design.

**1 Claim, 4 Drawing Sheets**

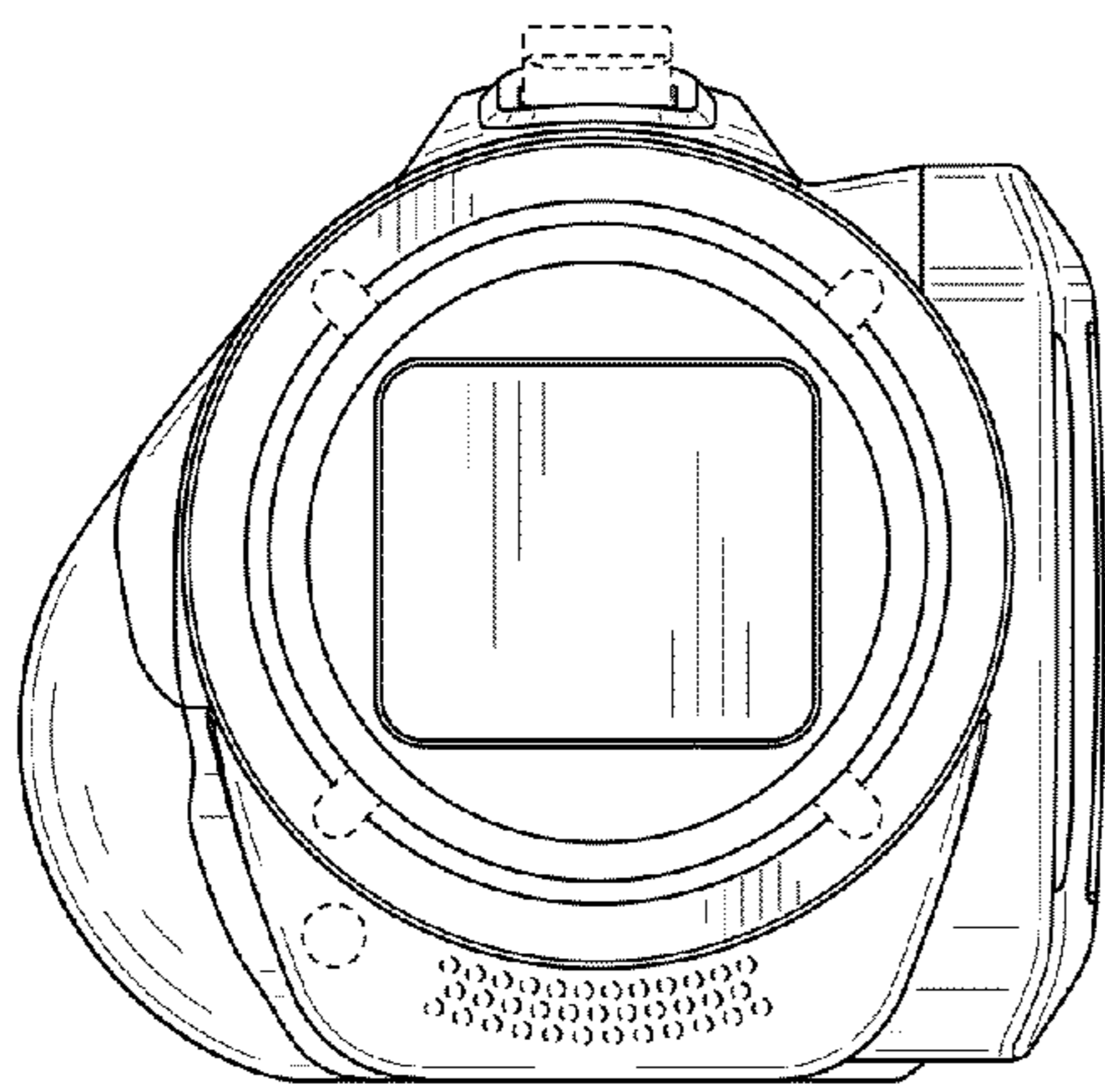




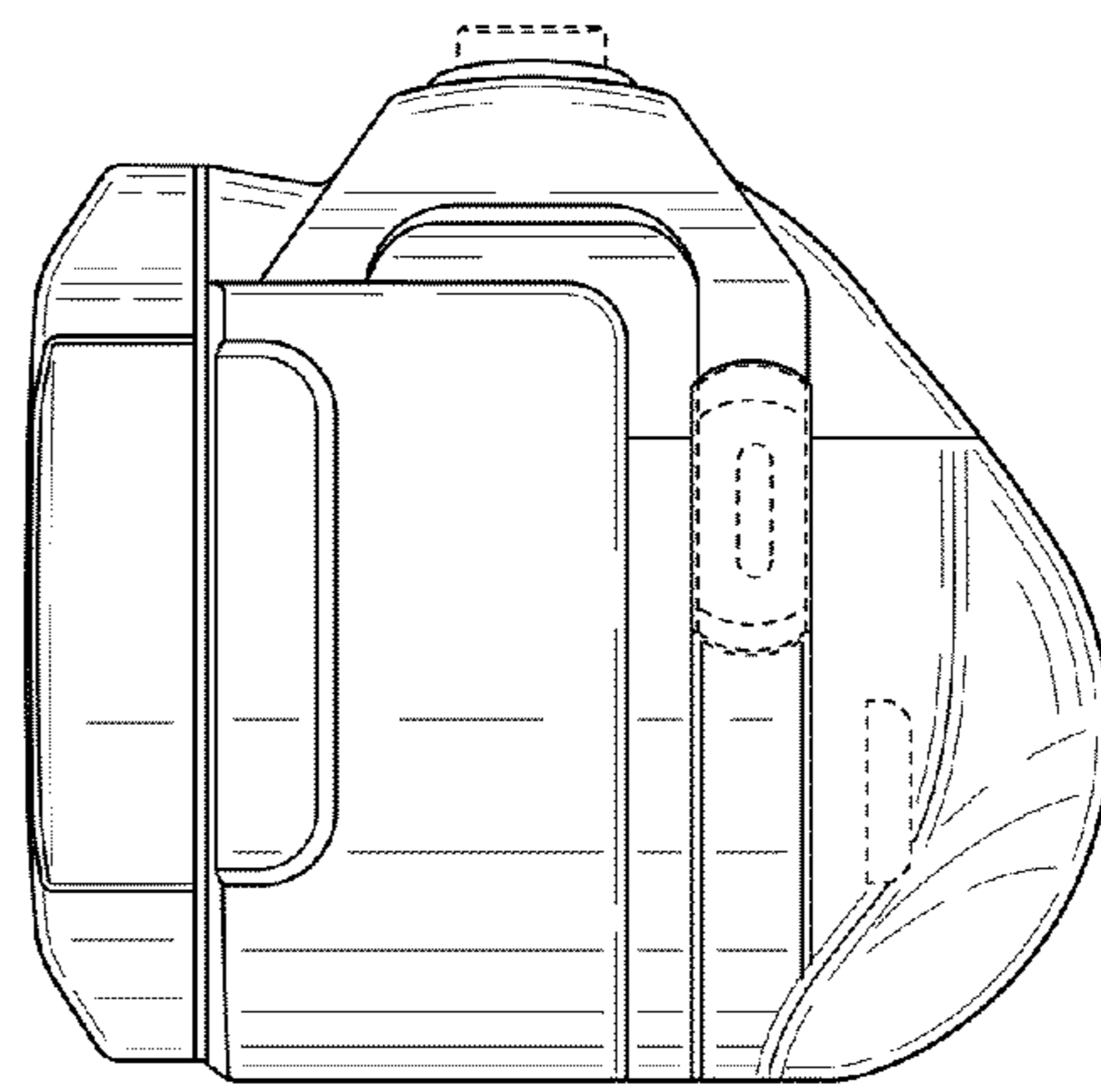
*FIG. 1*



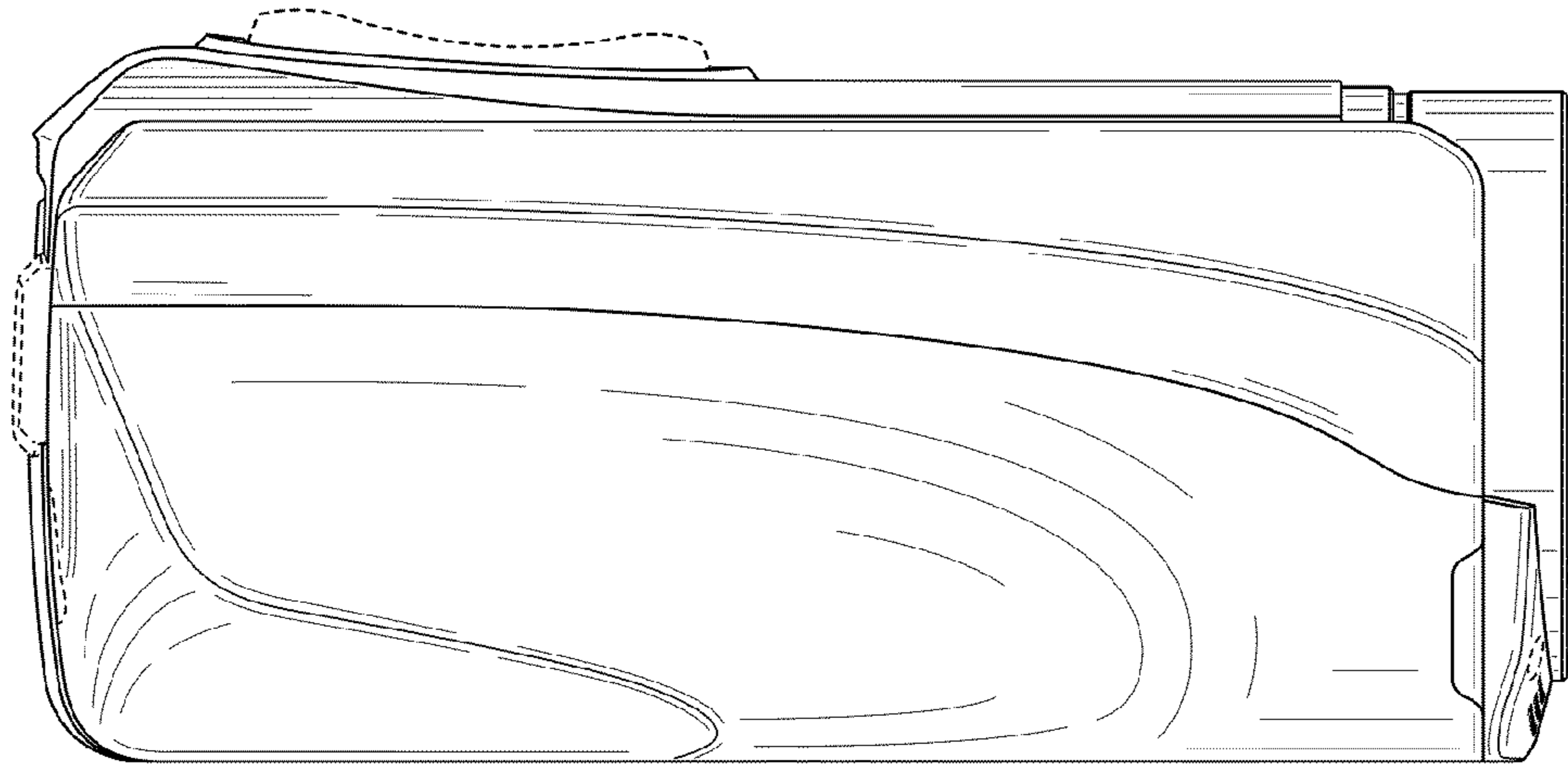
*FIG. 2*



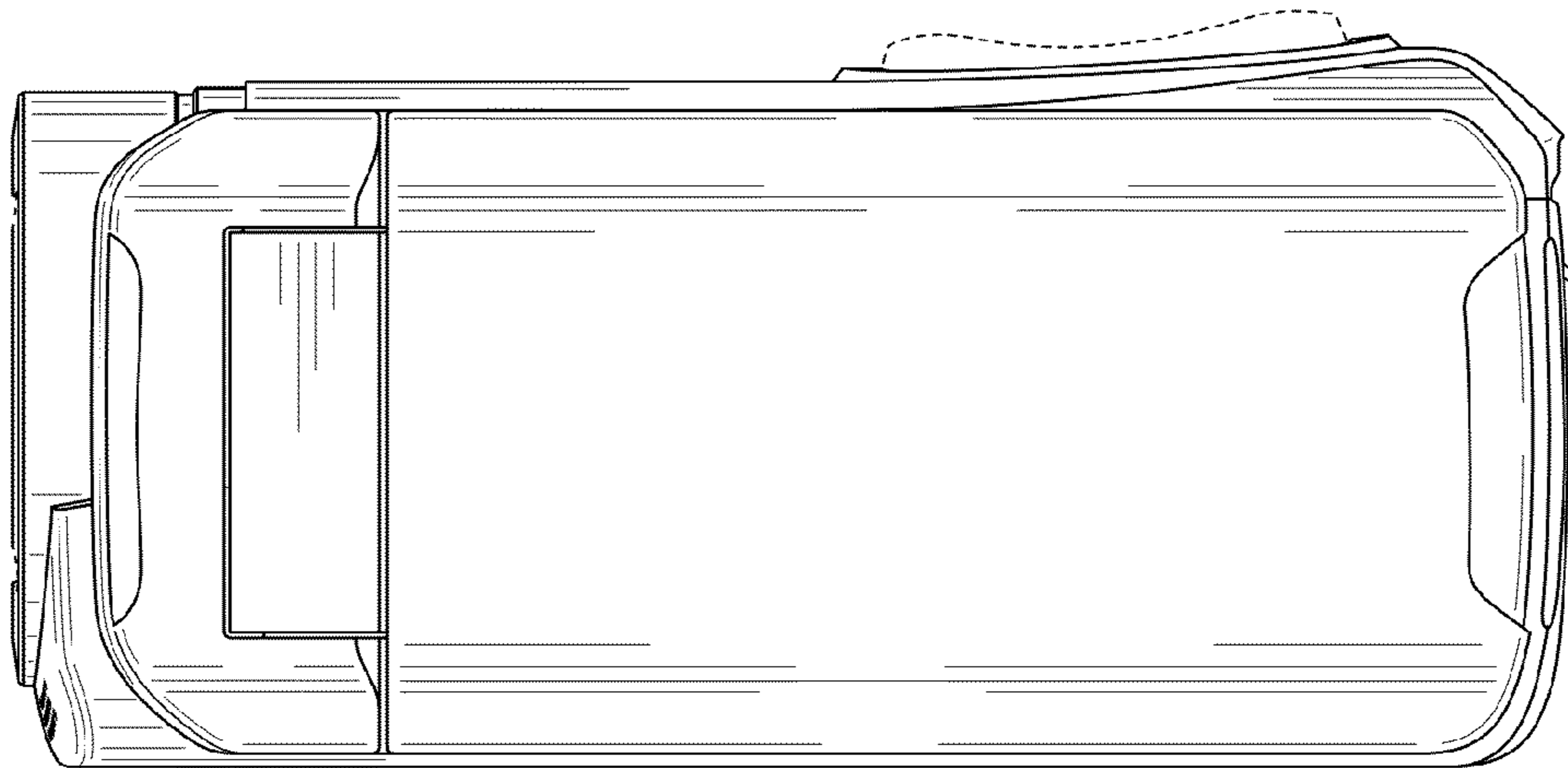
*FIG. 3*



*FIG. 4*



*FIG. 5*



*FIG. 6*

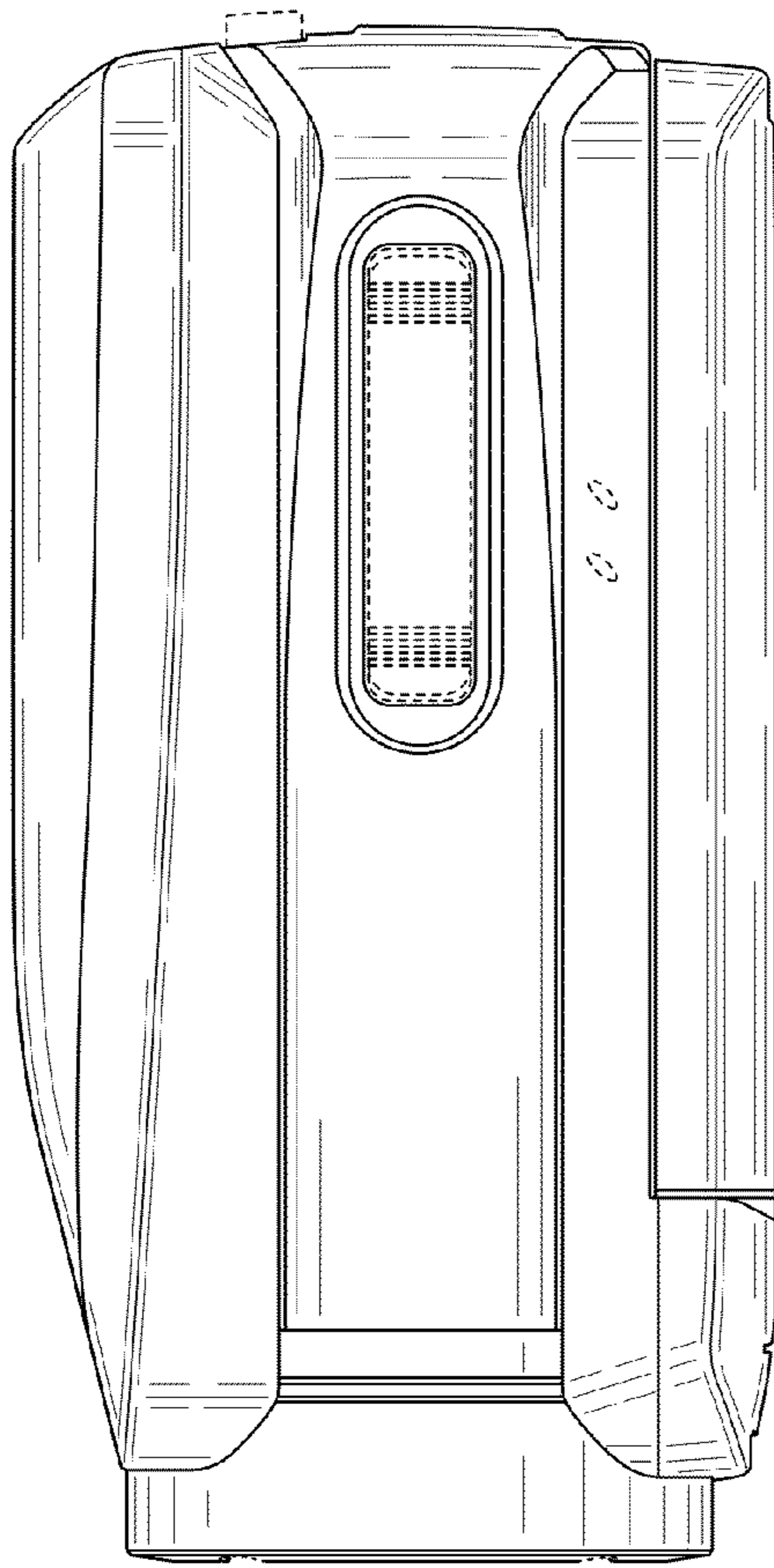


FIG. 7

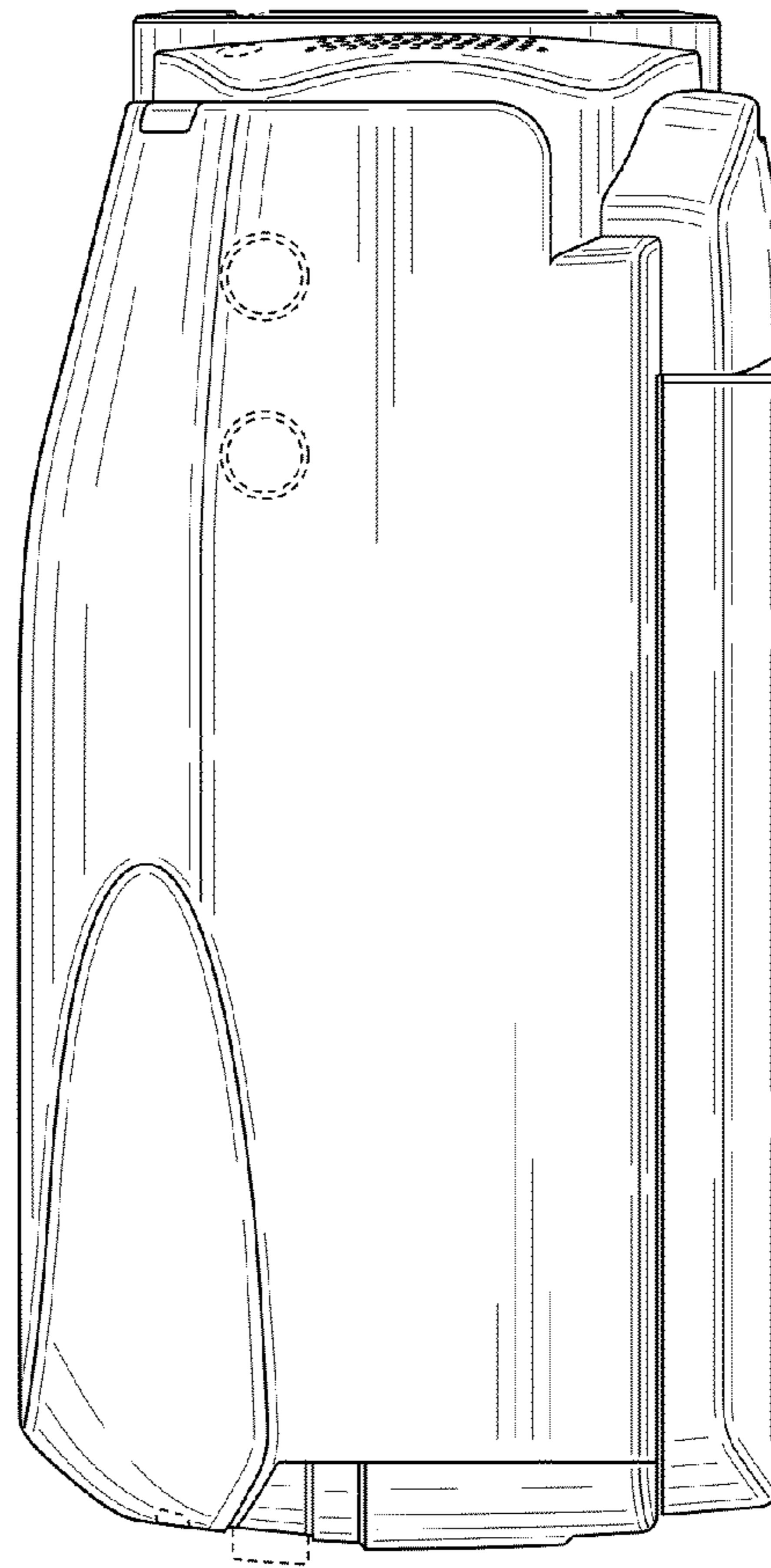


FIG. 8