



US00D722094S

(12) **United States Design Patent**
Nauli

(10) **Patent No.:** **US D722,094 S**
(45) **Date of Patent:** **** Feb. 3, 2015**

- (54) **MICROSCOPE HAVING A HANDLE**
- (71) Applicant: **Carl Zeiss Meditec AG, Jena (DE)**
- (72) Inventor: **Fenny Nauli, Oberkochen (DE)**
- (73) Assignee: **Carl Zeiss Meditec AG, Jena (DE)**
- (**) Term: **14 Years**
- (21) Appl. No.: **29/480,151**
- (22) Filed: **Jan. 23, 2014**
- (30) **Foreign Application Priority Data**

Aug. 2, 2013 (EM) 001379713-0002

- (51) **LOC (10) CL.** **16-06**
- (52) **U.S. CL.**
USPC **D16/131**
- (58) **Field of Classification Search**
CPC G02B 23/00
USPC D16/131, 130, 232, 136; 359/368, 369,
359/363, 380, 383, 384, 372, 425, 426;
353/39

See application file for complete search history.

(56) **References Cited**

U.S. PATENT DOCUMENTS

444,475	A *	1/1891	Yamada	440/65
733,295	A *	7/1903	Sukenari et al.	49/311
D141,692	S *	6/1945	Nemeth	D16/136
2,428,719	A *	10/1947	Nemeth	359/823
D152,504	S *	1/1949	Taylor et al.	D16/232
D159,962	S *	9/1950	Grave, Jr.	D16/131
D163,437	S *	5/1951	Armbruster et al.	D16/131
D170,931	S *	11/1953	Macaluso, Jr.	D16/131
D181,896	S *	1/1958	Boughton	D16/131
D184,487	S *	2/1959	Maier	D16/131
3,127,810	A *	4/1964	Gottlieb	353/39
3,205,770	A *	9/1965	Koch et al.	353/39
3,663,096	A *	5/1972	Fuller	359/711

D241,741	S *	10/1976	Armbruster	D16/131
4,143,938	A *	3/1979	Feinbloom	359/363
D257,358	S *	10/1980	Armbruster	D16/131
D269,682	S *	7/1983	Yokota	D16/131
4,518,230	A *	5/1985	Weber	359/375
D289,410	S *	4/1987	Feinbloom et al.	D16/131
D294,036	S *	2/1988	Yamada	D16/131
D295,871	S *	5/1988	Charles	D16/130
D309,150	S *	7/1990	Wentz	D16/131
D310,676	S *	9/1990	Charles	D16/134
D319,450	S *	8/1991	Charles	D16/136
5,076,680	A *	12/1991	Arjarasumpun	359/391
6,108,129	A *	8/2000	Van Slyke	359/426
6,421,173	B1 *	7/2002	Corbisiero et al.	359/372
D482,708	S *	11/2003	Matuschek	D16/131
6,943,942	B2 *	9/2005	Horiguchi et al.	359/381
D517,581	S *	3/2006	Apotheloz et al.	D16/131

(Continued)

Primary Examiner — Paula Greene

(74) *Attorney, Agent, or Firm* — Walter Ottesen P.A.

(57) **CLAIM**

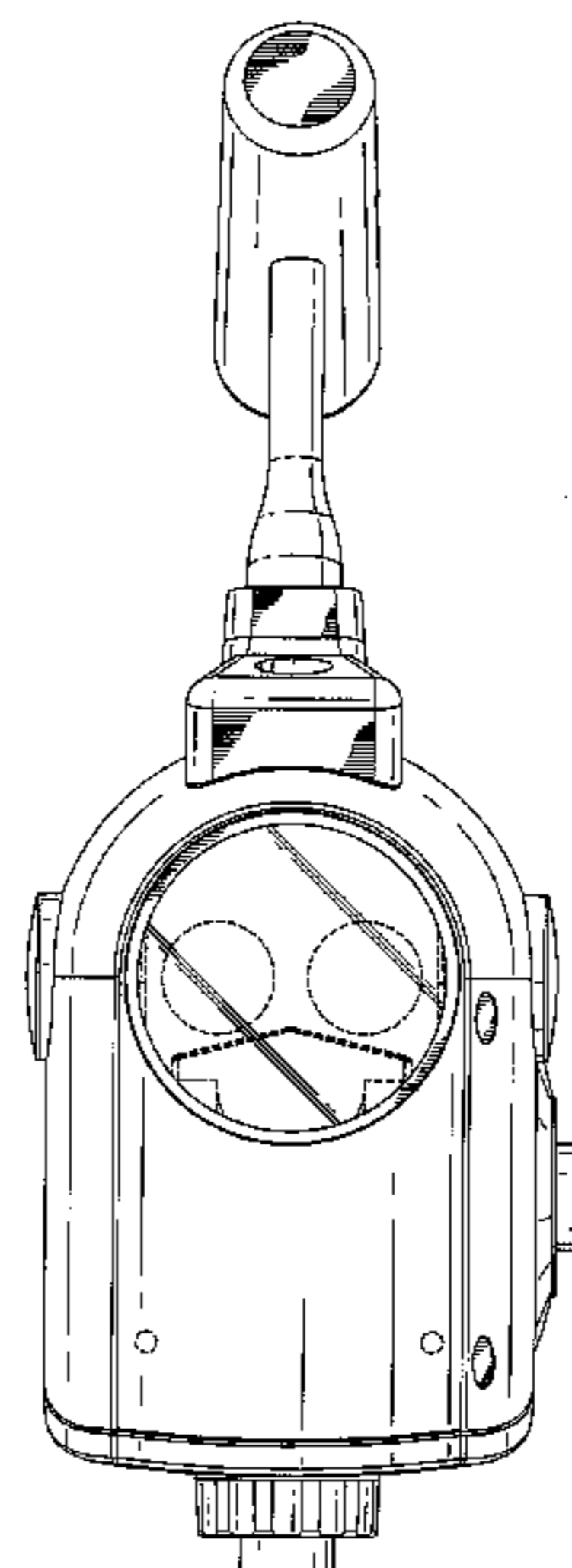
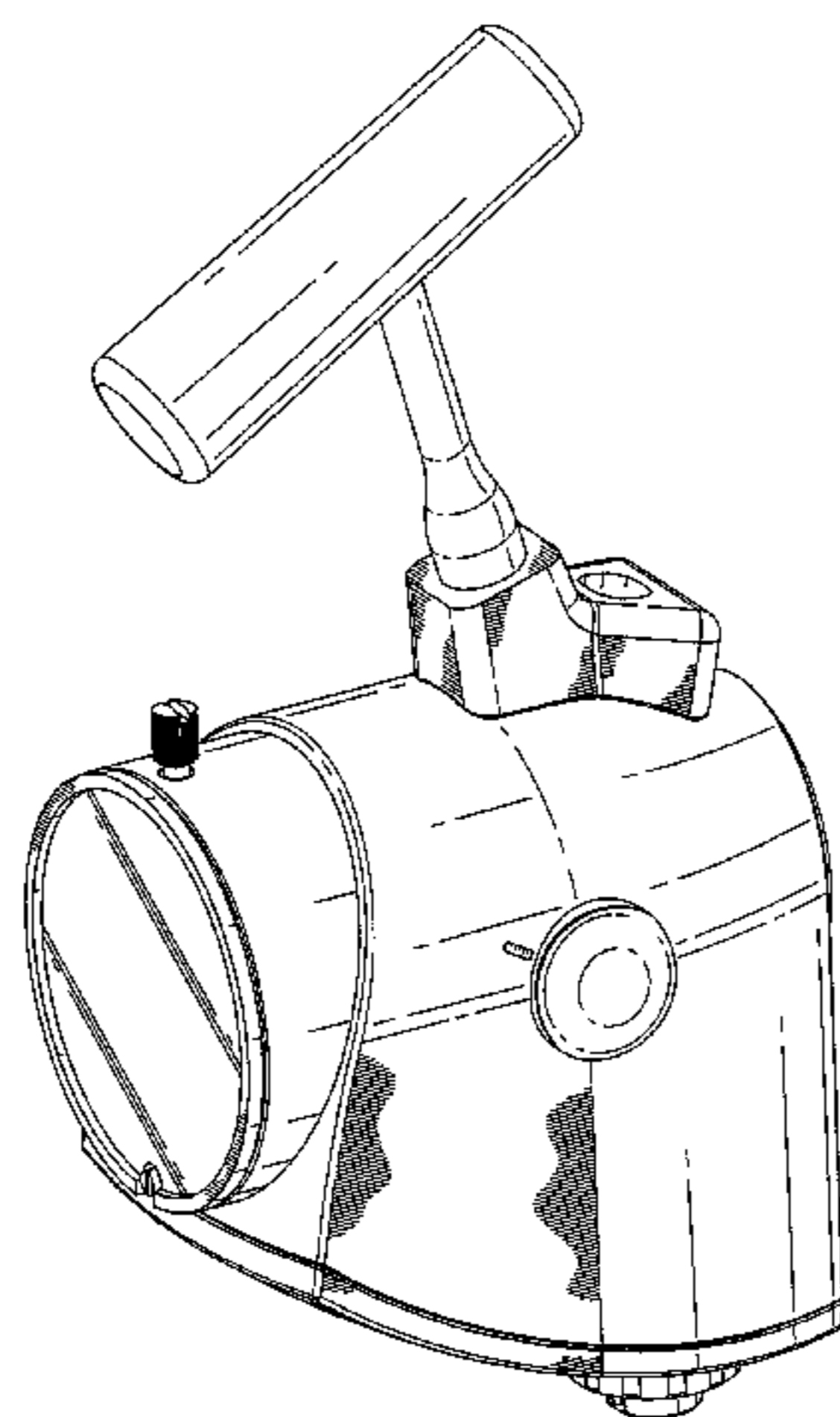
The ornamental design for a microscope having a handle, as shown and described.

DESCRIPTION

FIG. 1 is a perspective view of a microscope having a handle of my new design;
 FIG. 2 is a front elevation view of the microscope having a handle of FIG. 1;
 FIG. 3 is a rear elevation view of the microscope having a handle of FIG. 1;
 FIG. 4 is a left side elevation view of the microscope having a handle of FIG. 1;
 FIG. 5 is a right side elevation view of the microscope having a handle of FIG. 1;
 FIG. 6 is a top plan view of the microscope having a handle of FIG. 1; and,
 FIG. 7 is a bottom plan view of the microscope having a handle of FIG. 1.

The broken lines form no part of the claimed design.

1 Claim, 7 Drawing Sheets



(56)

References Cited

U.S. PATENT DOCUMENTS

D528,581 S *	9/2006	Kato et al.	D16/232	7,394,979 B2 *	7/2008	Luther et al.	396/432
7,180,689 B2 *	2/2007	Shinada	359/826	D643,866 S *	8/2011	Apotheloz	D16/131
7,379,239 B2 *	5/2008	Strobel et al.	359/384	8,009,353 B2 *	8/2011	Gilbert	359/393
				D646,704 S *	10/2011	Funakoshi	D16/131
				D705,839 S *	5/2014	Apotheloz	D16/131

* cited by examiner

FIG. 1

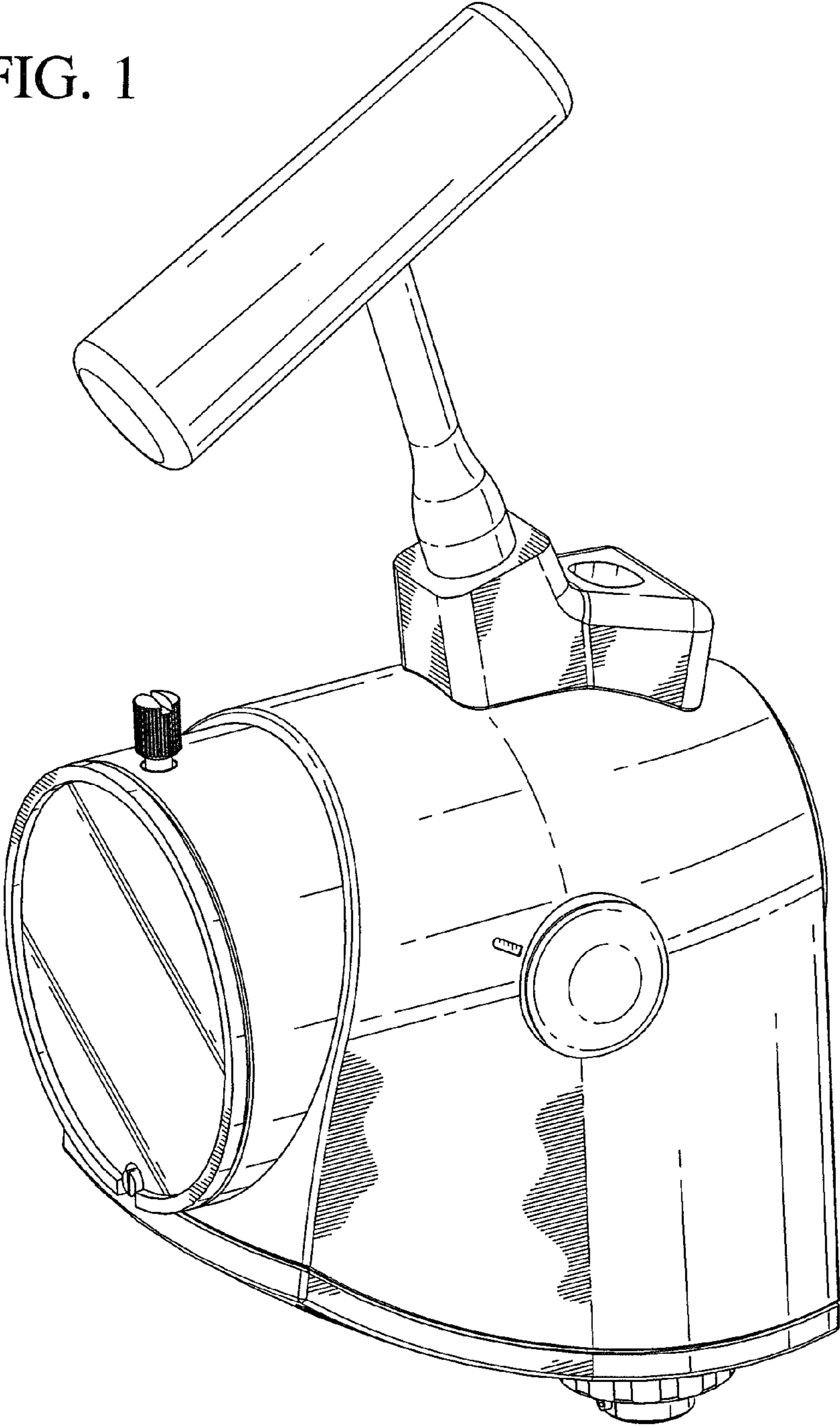


FIG. 2

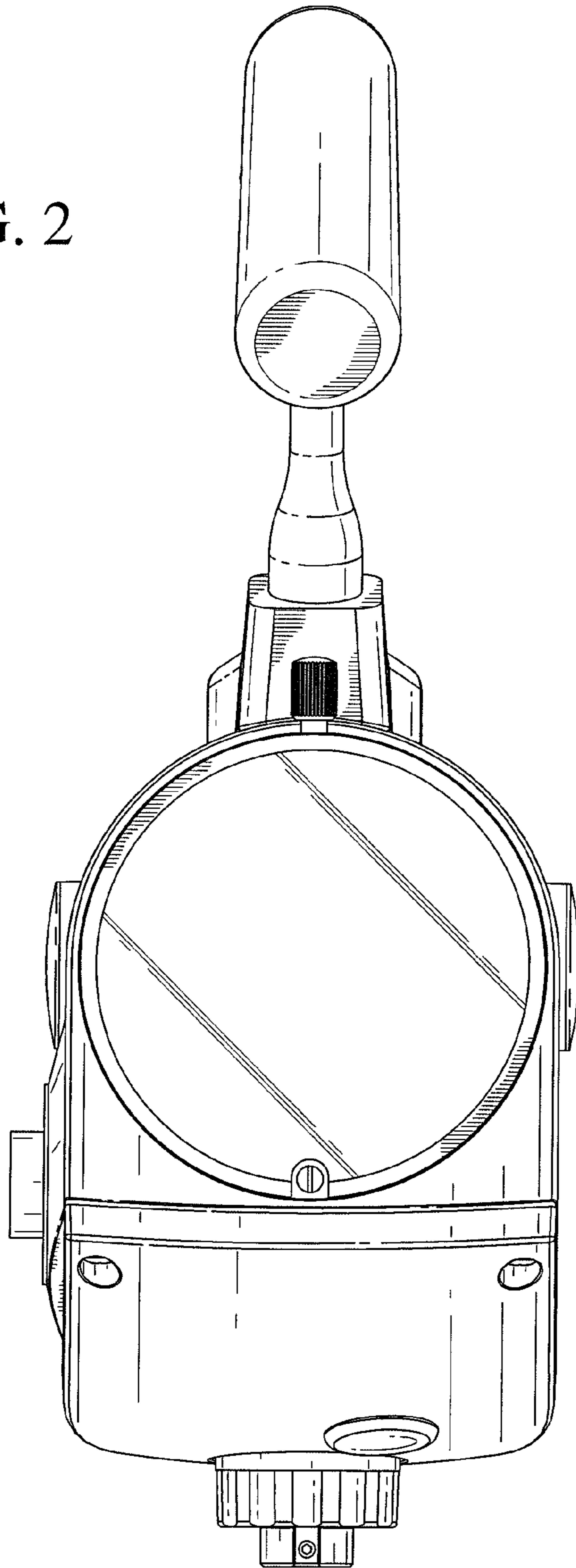


FIG. 3

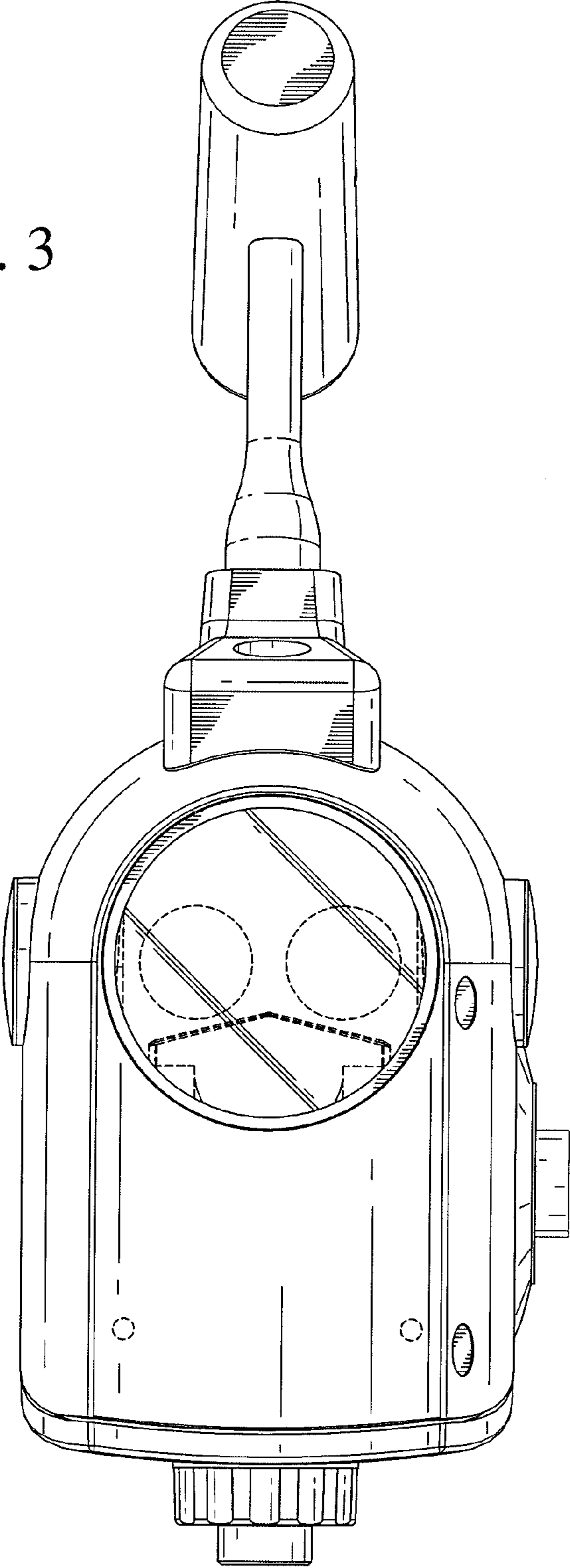


FIG. 4

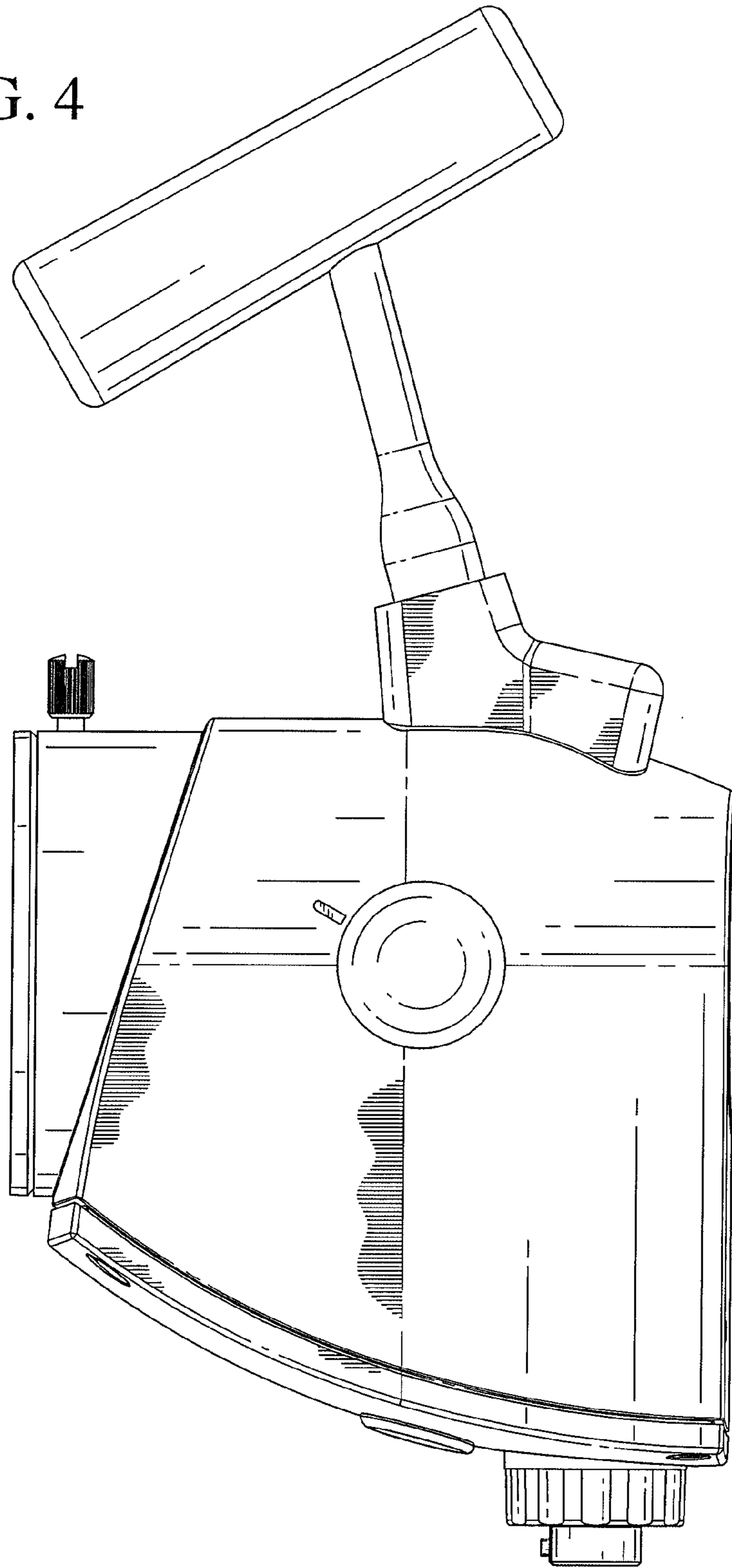
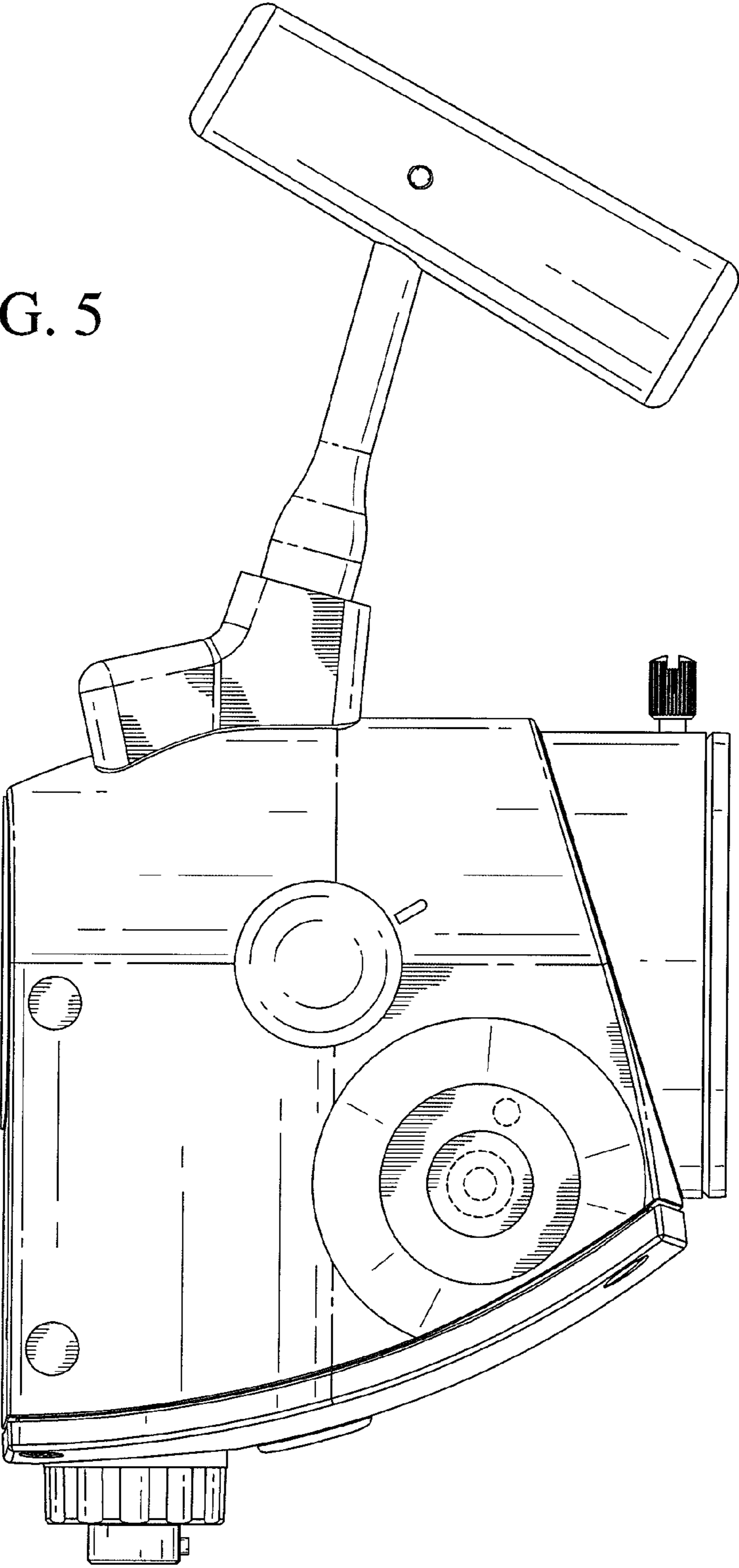


FIG. 5



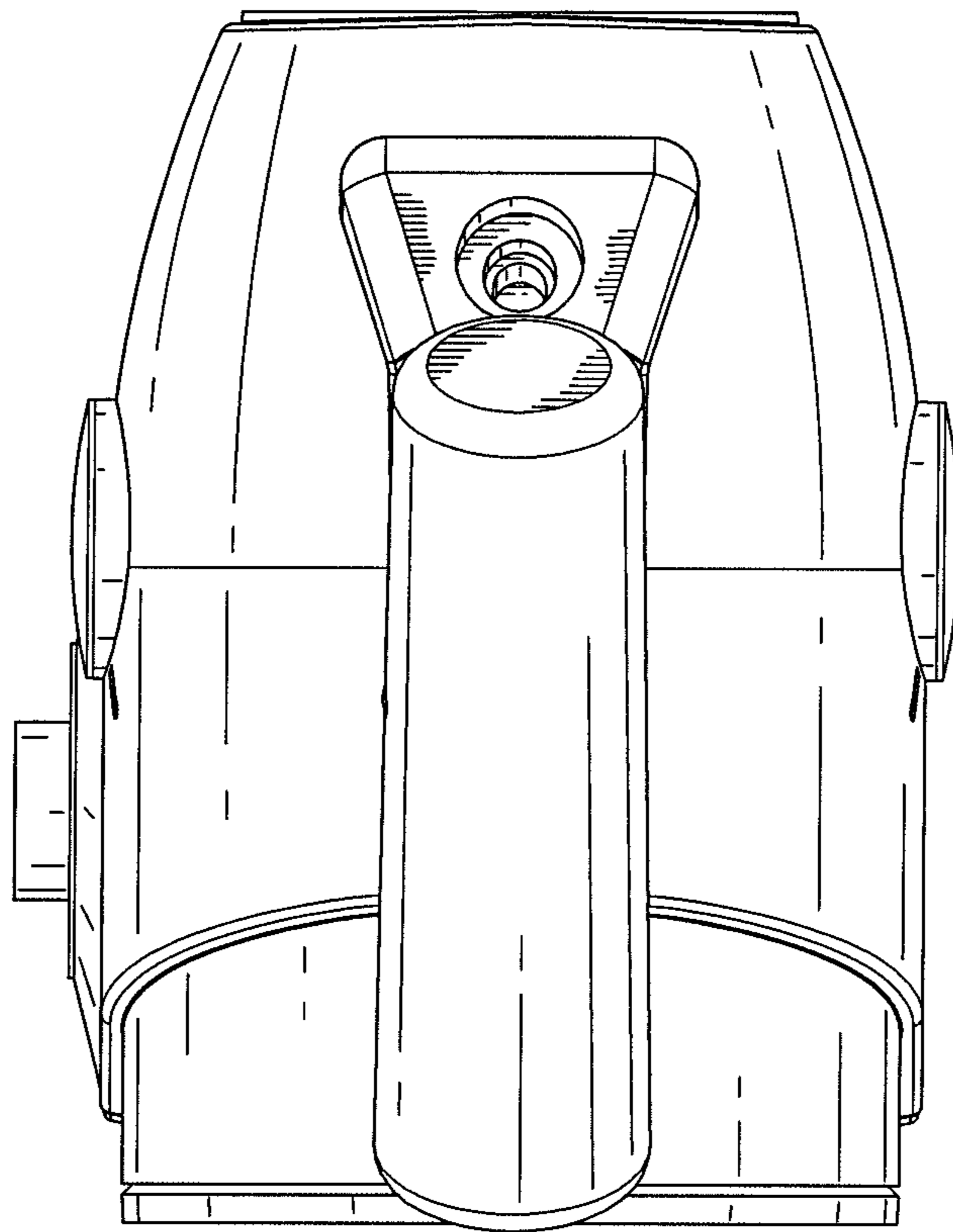


FIG. 6

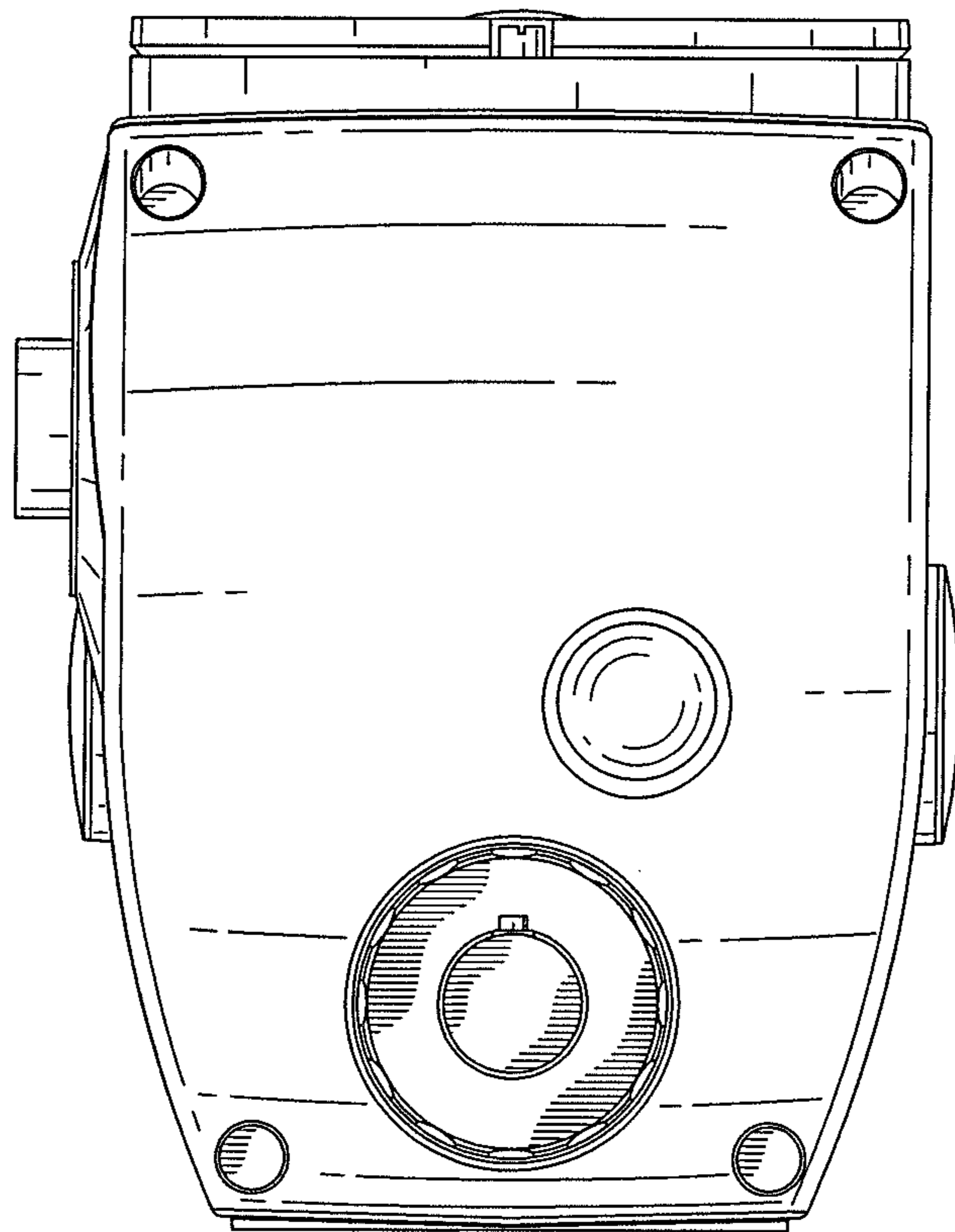


FIG. 7