



US00D722093S

(12) **United States Design Patent**
Daniel

(10) **Patent No.:** **US D722,093 S**

(45) **Date of Patent:** **** Feb. 3, 2015**

(54) **WATCH WINDER ACCESSORY DEVICE**

(71) Applicant: **Isaac S. Daniel**, Miramar, FL (US)

(72) Inventor: **Isaac S. Daniel**, Miramar, FL (US)

(**) Term: **14 Years**

(21) Appl. No.: **29/446,739**

(22) Filed: **Feb. 27, 2013**

(51) **LOC (10) Cl.** **15-99**

(52) **U.S. Cl.**
USPC **D15/199**

(58) **Field of Classification Search**
USPC D3/298; D9/418, 420; D15/199; 81/7.5;
366/14; 368/10, 206-209
See application file for complete search history.

(56) **References Cited**

U.S. PATENT DOCUMENTS

2,863,345	A *	12/1958	Fiechter	81/7.5
D349,553	S *	8/1994	Au	D9/422
D440,583	S *	4/2001	Greene, Jr.	D15/199
D455,449	S *	4/2002	Siu	D15/199
D474,216	S *	5/2003	Siu	D15/199
6,910,802	B2 *	6/2005	Rustioni	368/206
D511,537	S *	11/2005	Huang	D15/199
6,964,513	B1 *	11/2005	Agnoff	368/206
D512,448	S *	12/2005	Christianson	D15/199
D513,024	S *	12/2005	Christianson	D15/199
D513,568	S *	1/2006	Au	D6/470
D520,540	S *	5/2006	Siu	D15/199
7,198,401	B2 *	4/2007	Louie	368/206
D556,227	S *	11/2007	Au	D15/199
D607,028	S *	12/2009	Subilia	D15/199
D658,696	S *	5/2012	Au	D15/199
D707,118	S *	6/2014	Au	D9/420
2005/0254352	A1 *	11/2005	Wolf et al.	368/206
2008/0247278	A1 *	10/2008	Walker et al.	368/206
2009/0294320	A1 *	12/2009	Wolf et al.	206/486
2010/0165798	A1 *	7/2010	Huang	368/206
2012/0082011	A1 *	4/2012	Liao	368/206

* cited by examiner

Primary Examiner — Patricia Palasik

(74) *Attorney, Agent, or Firm* — Carol N. Green Kaul, Esq.

(57) **CLAIM**

The ornamental design for a watch winder accessory device, as shown and described.

DESCRIPTION

FIG. 1 is a top perspective view of the watch winder accessory device.

FIG. 2 is a bottom perspective view of the watch winder accessory device.

FIG. 3 is a top plan view of the watch winder accessory device.

FIG. 4 is a bottom plan view of the watch winder accessory device.

FIG. 5 is a side view of the watch winder accessory device.

FIG. 6 is a side view of the watch winder accessory device.

FIG. 7 is a top perspective view of the watch winder accessory device as attached to a watch.

FIG. 8 is a bottom perspective view of the watch winder accessory device as attached to a watch.

FIG. 9 is a top plan view of the watch winder accessory device as attached to a watch.

FIG. 10 is a bottom plan view of the watch winder accessory device as attached to a watch.

FIG. 11 is a top view of the watch winder accessory device as attached to a watch.

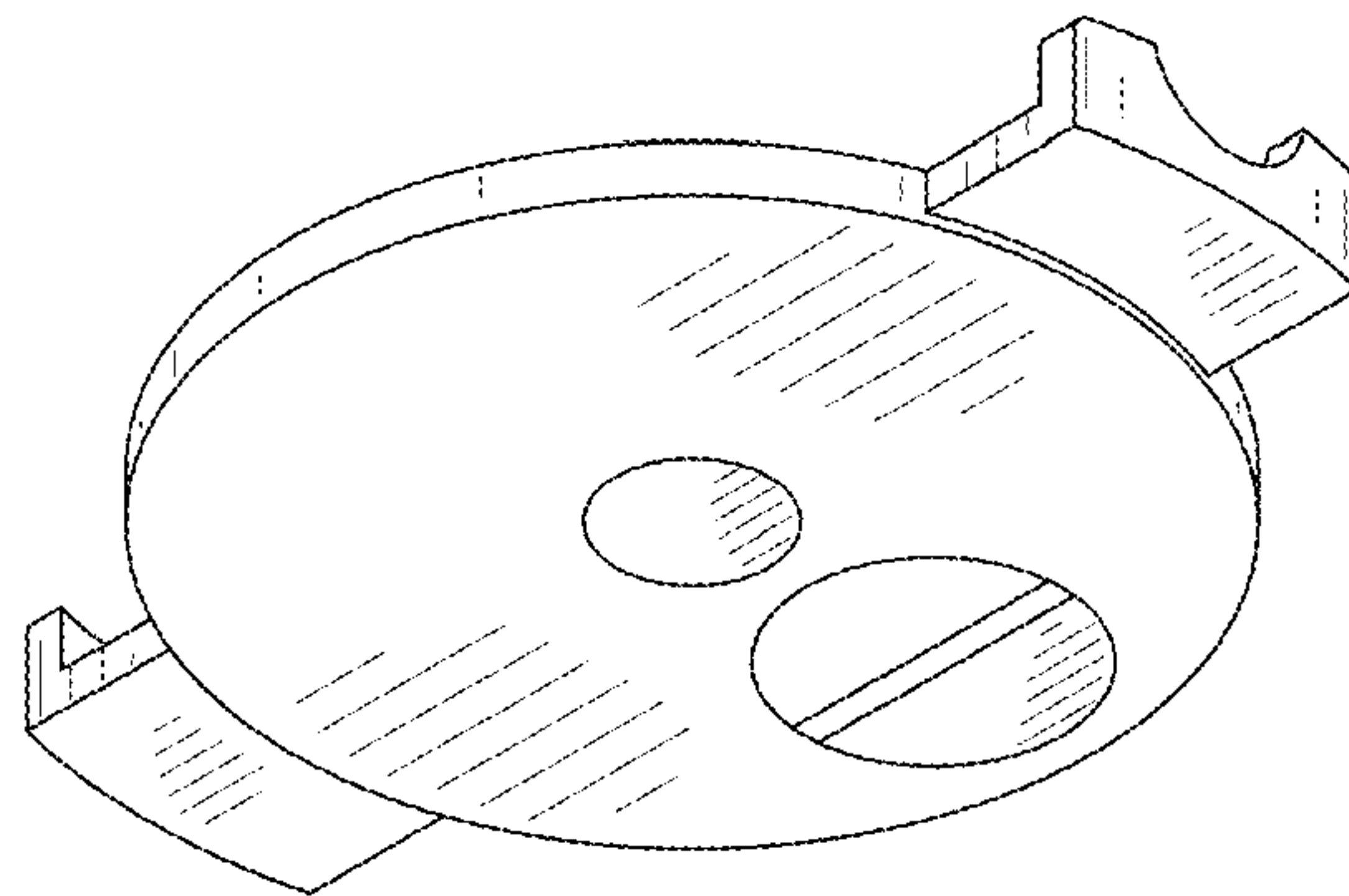
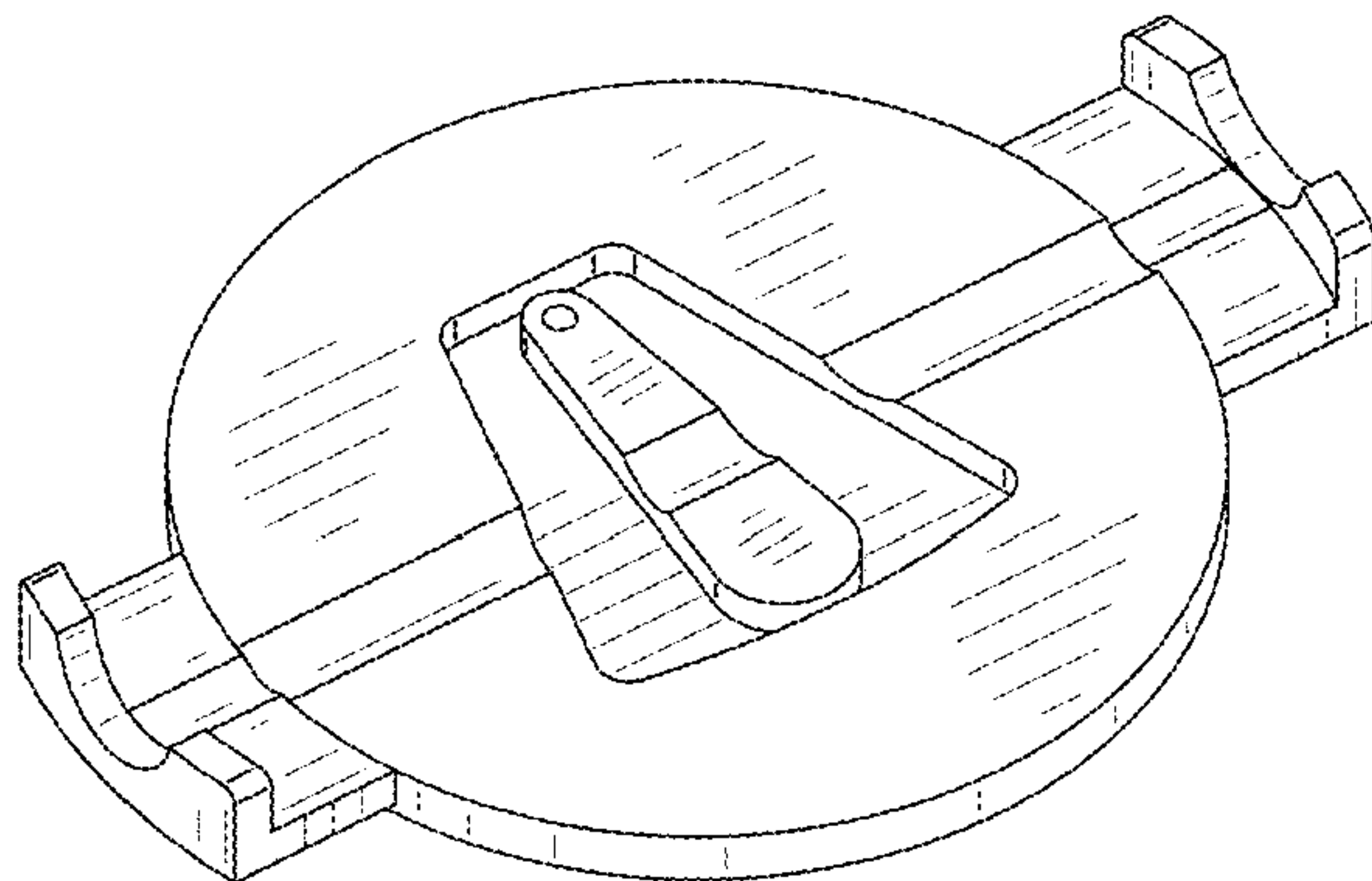
FIG. 12 is a bottom view of the watch winder accessory device as attached to a watch.

FIG. 13 is a right side view of the watch winder accessory device as attached to a watch; and,

FIG. 14 is a left side view of the watch winder accessory device as attached to a watch.

The broken lines in FIGS. 7-14 showing the watch is included for purposes of illustrating environment and form no part of the claimed design.

1 Claim, 8 Drawing Sheets



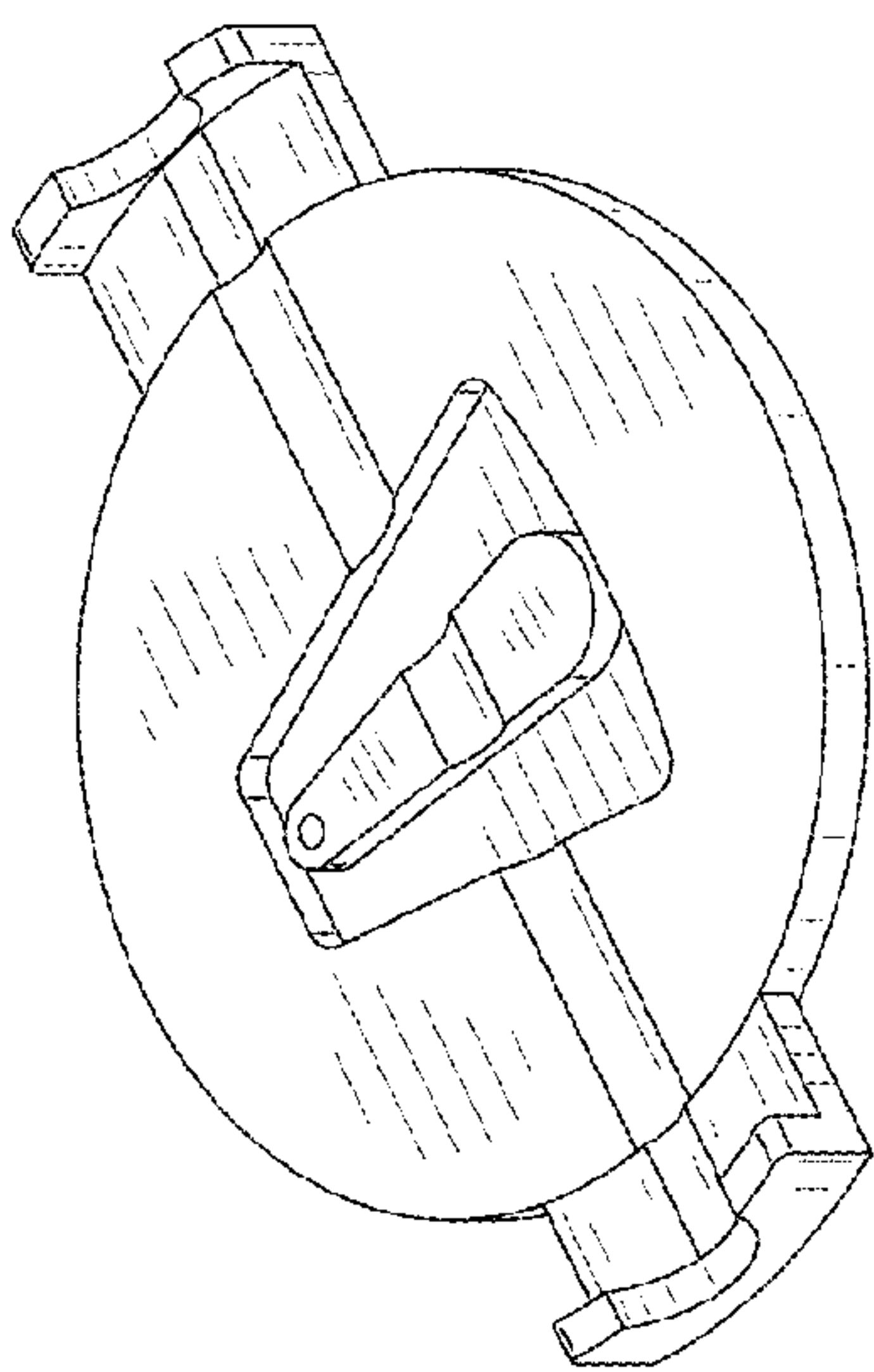


FIG. 1

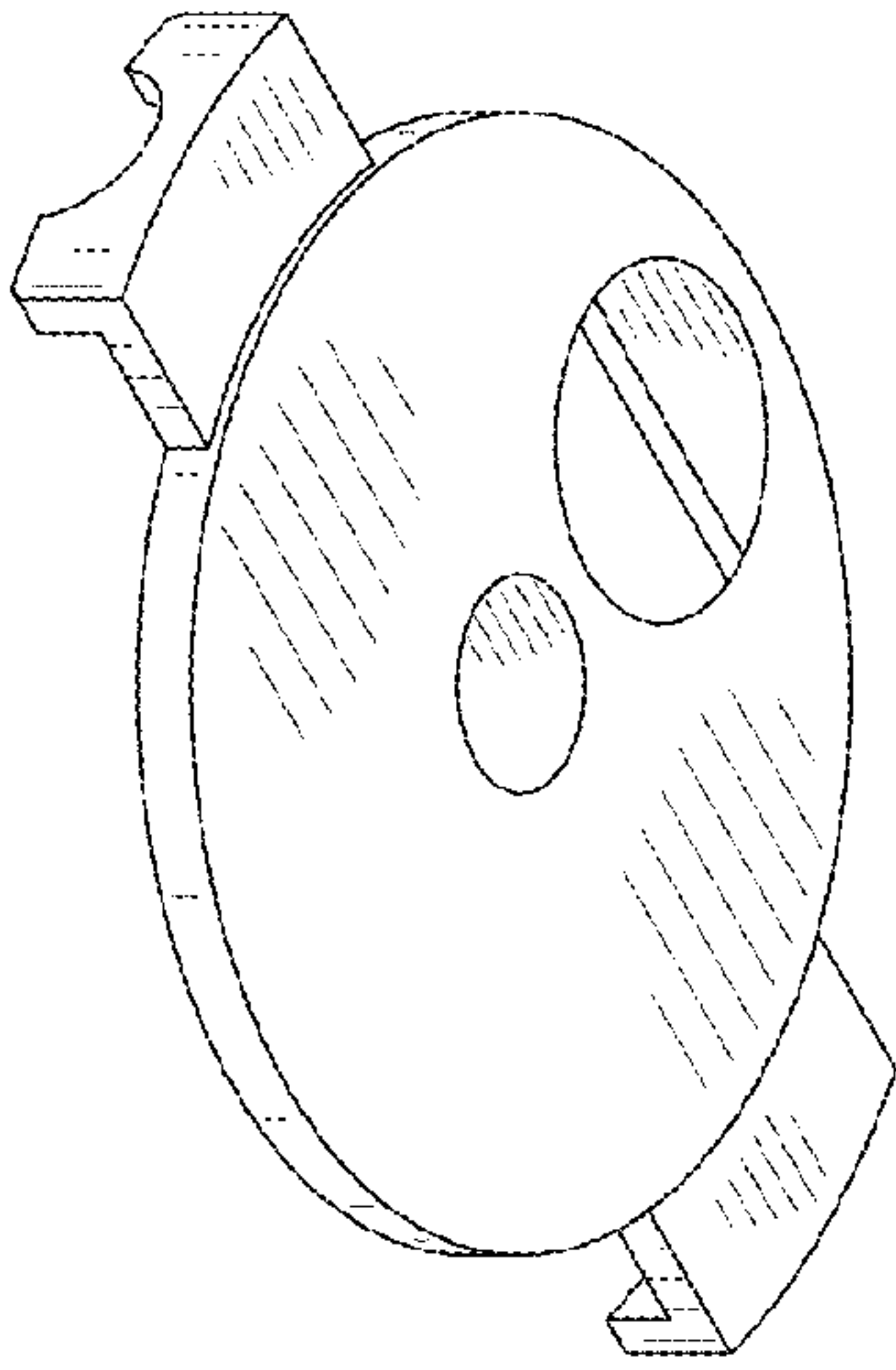


FIG. 2

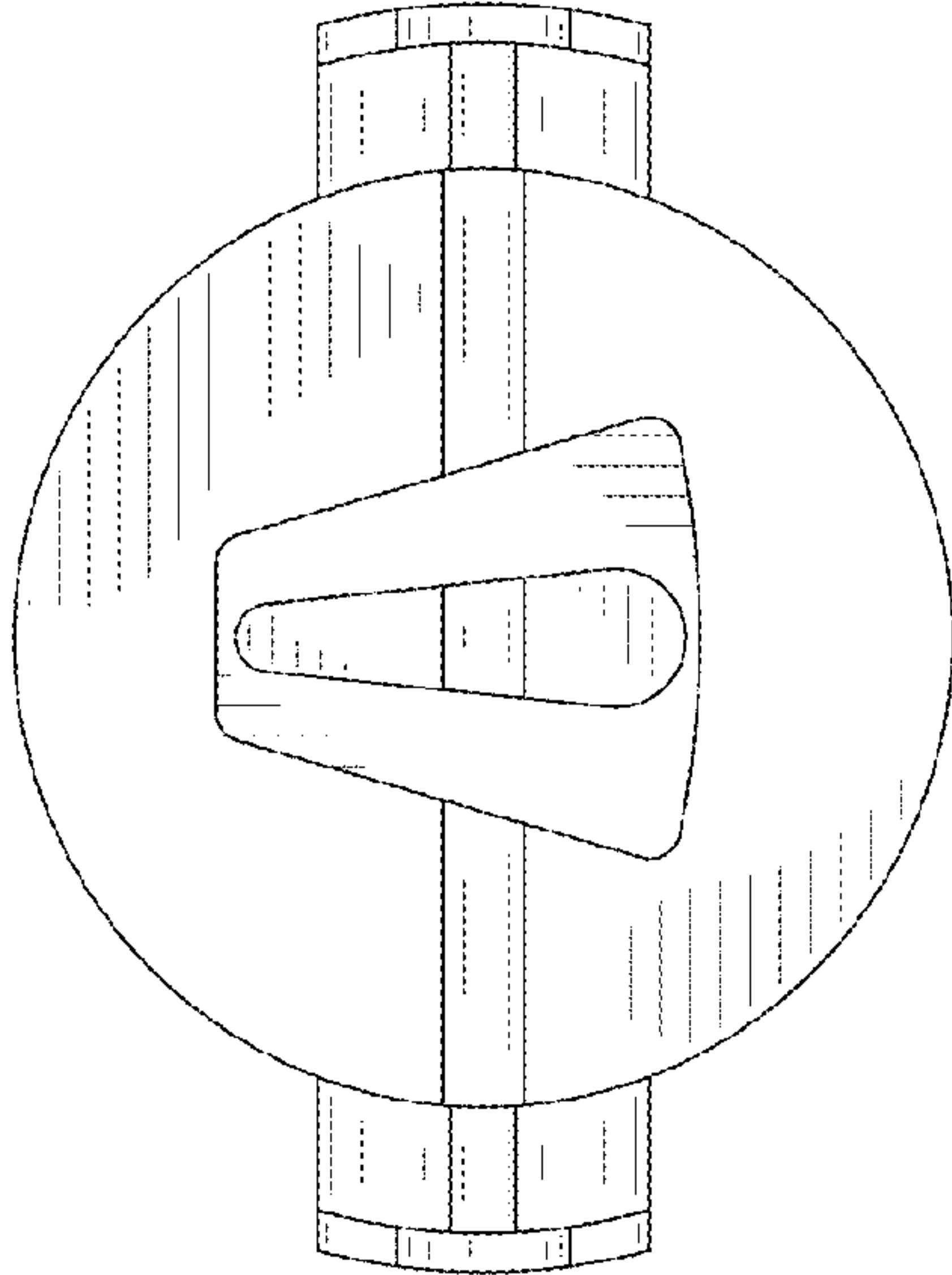


FIG. 3

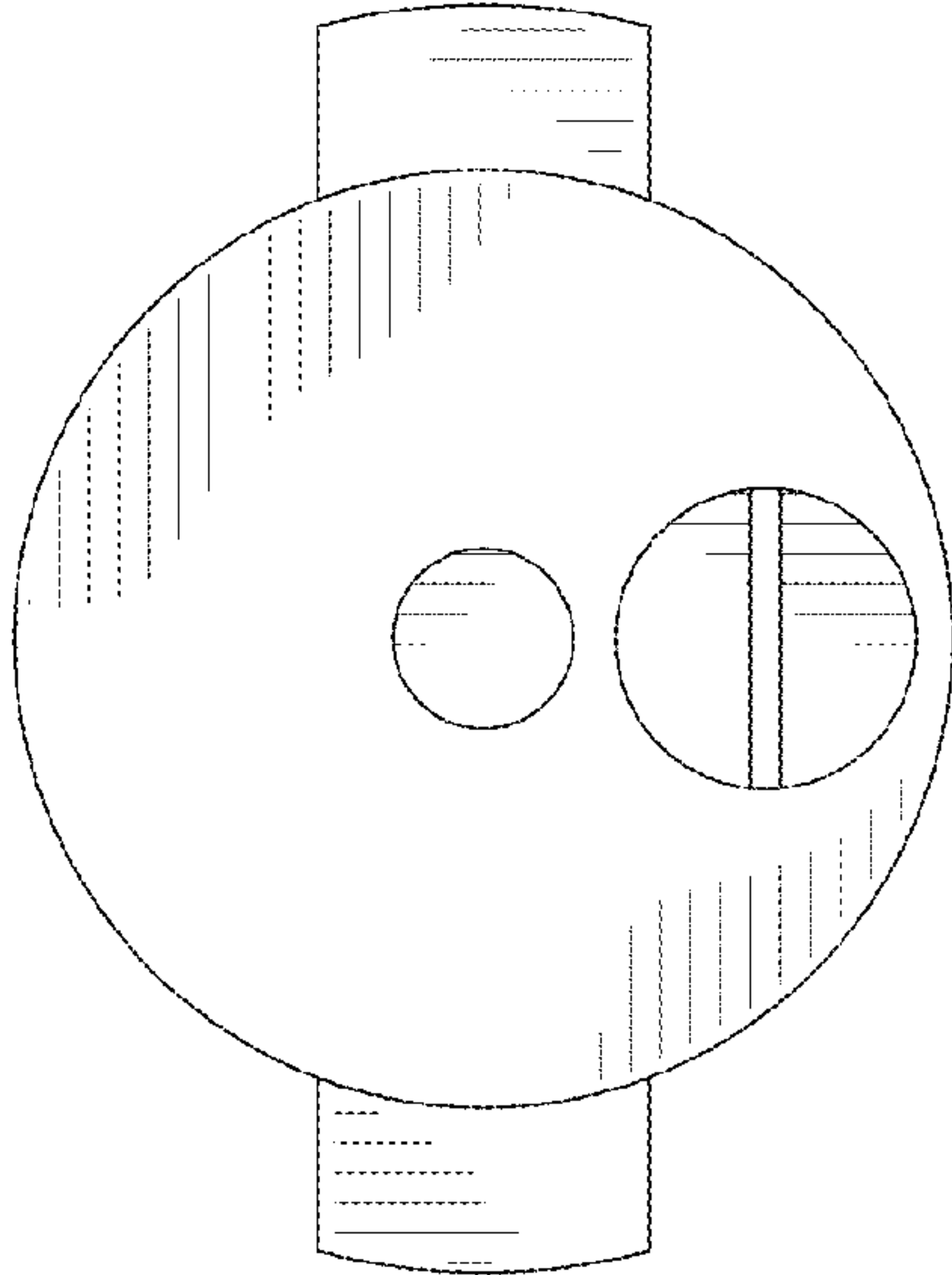


FIG. 4

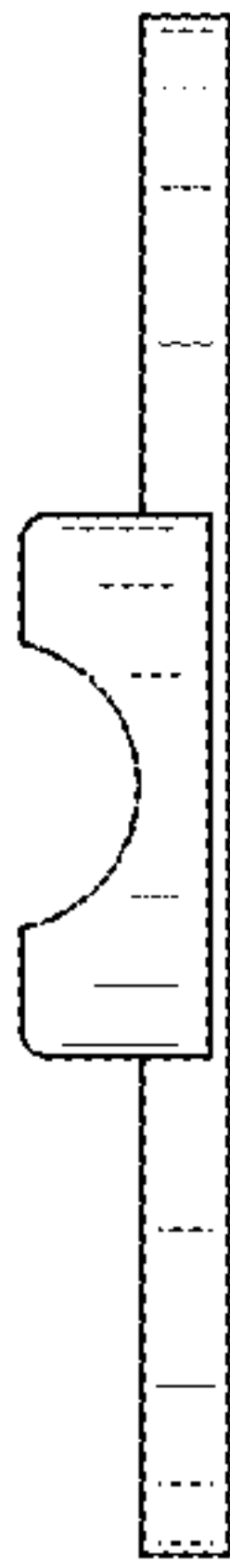


FIG. 5



FIG. 6

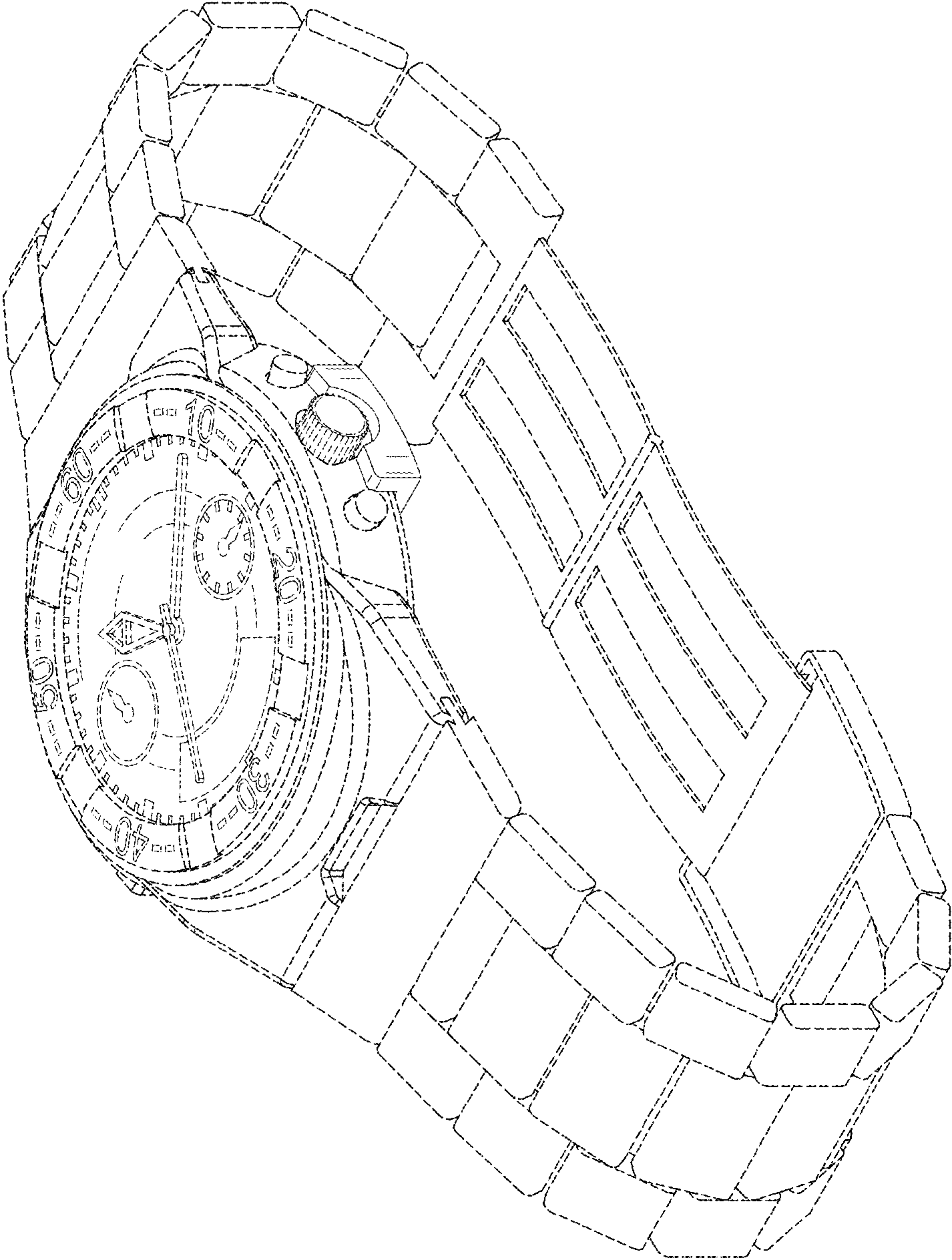


FIG. 7

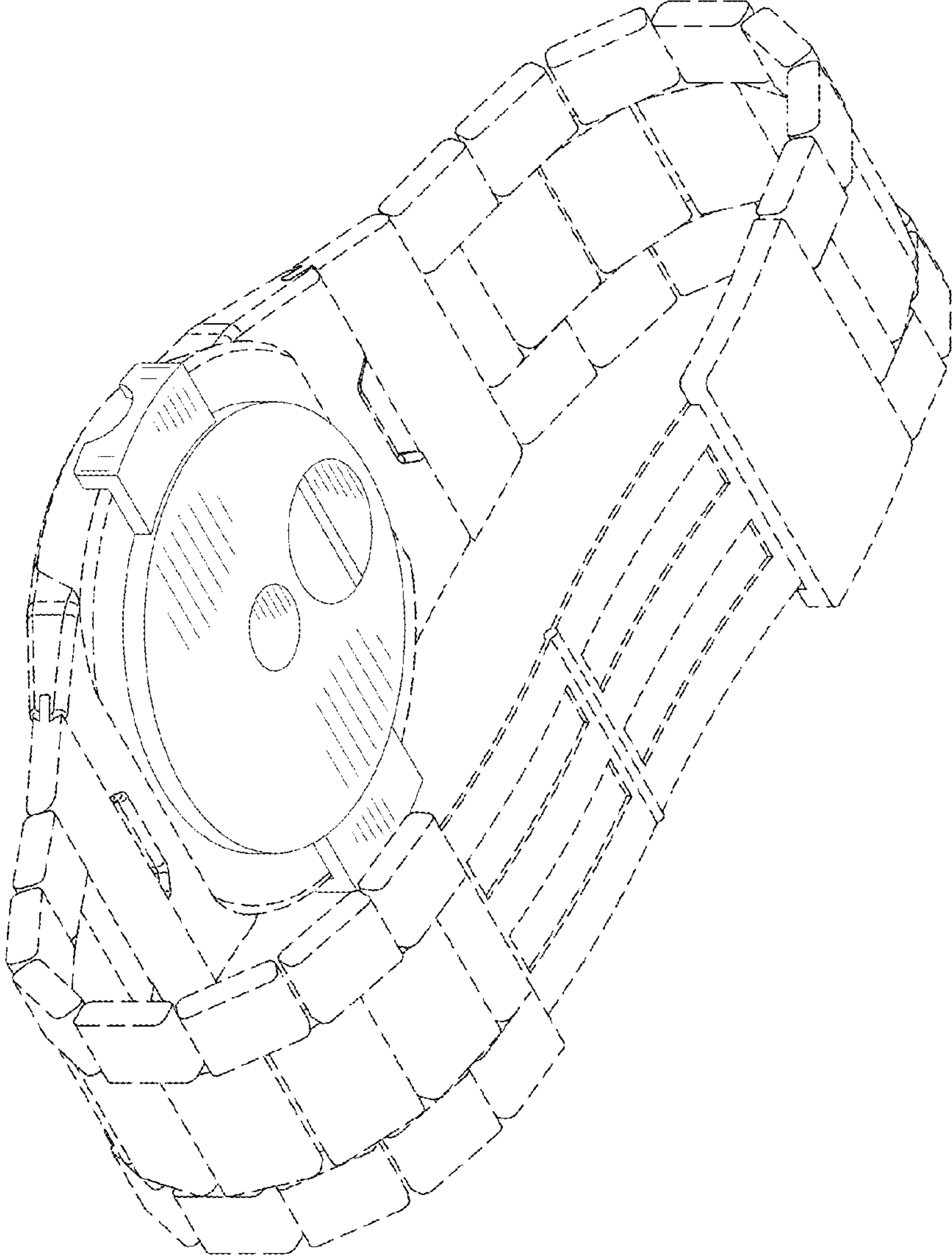


FIG. 8

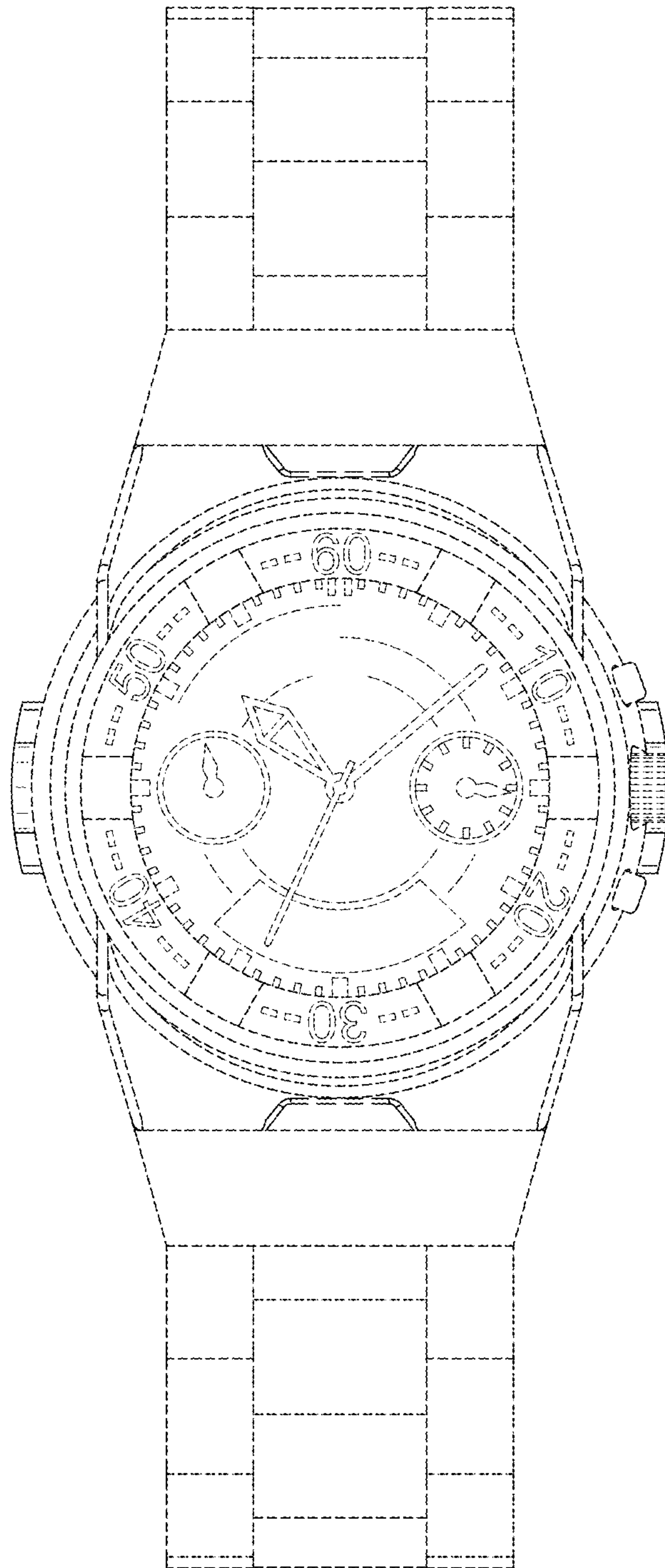


FIG. 9

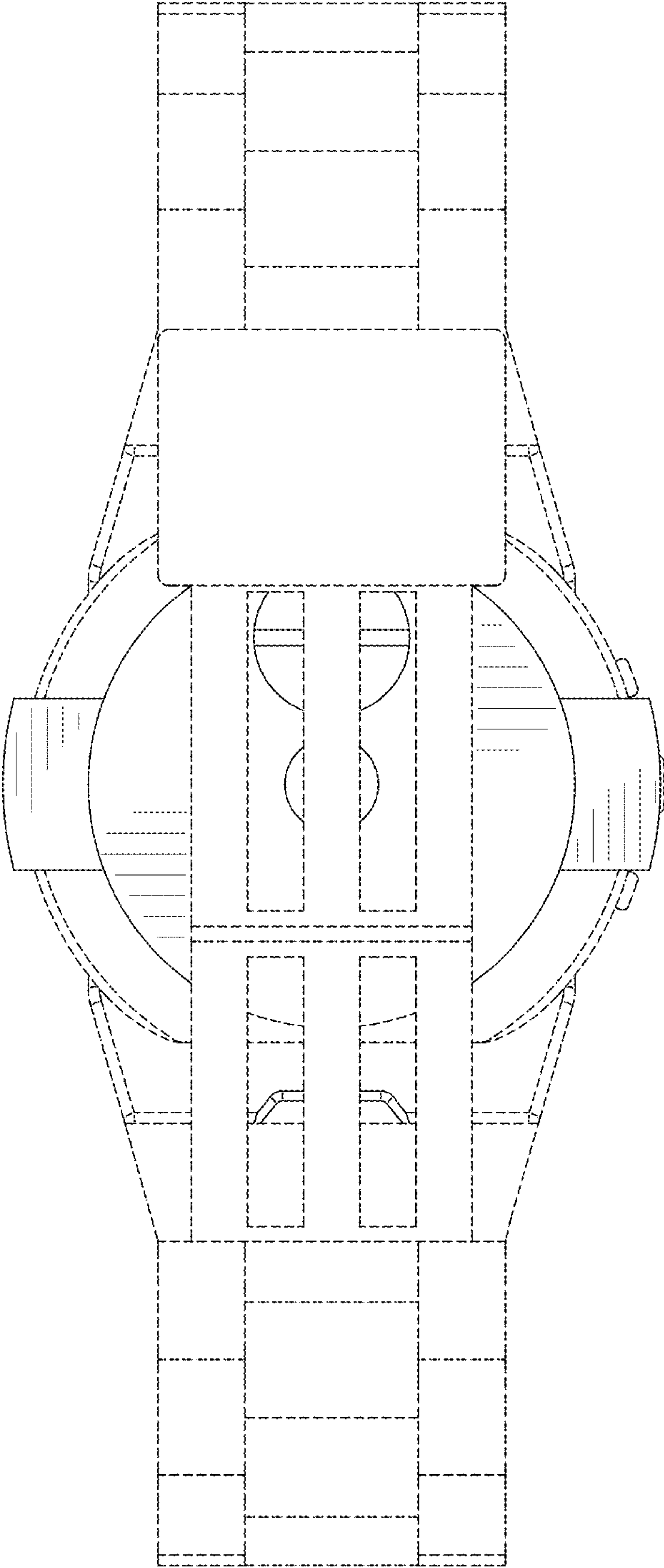


FIG. 10

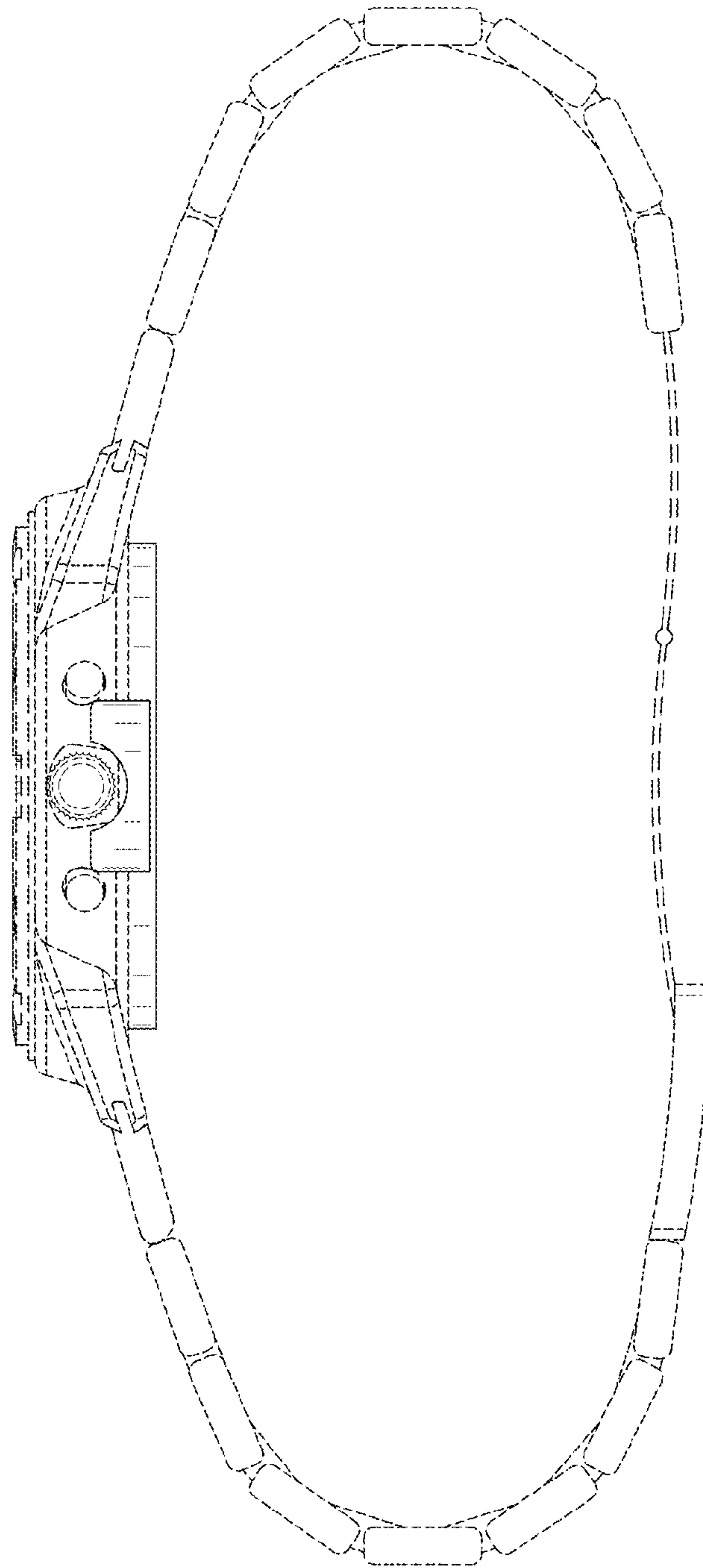


FIG. 11

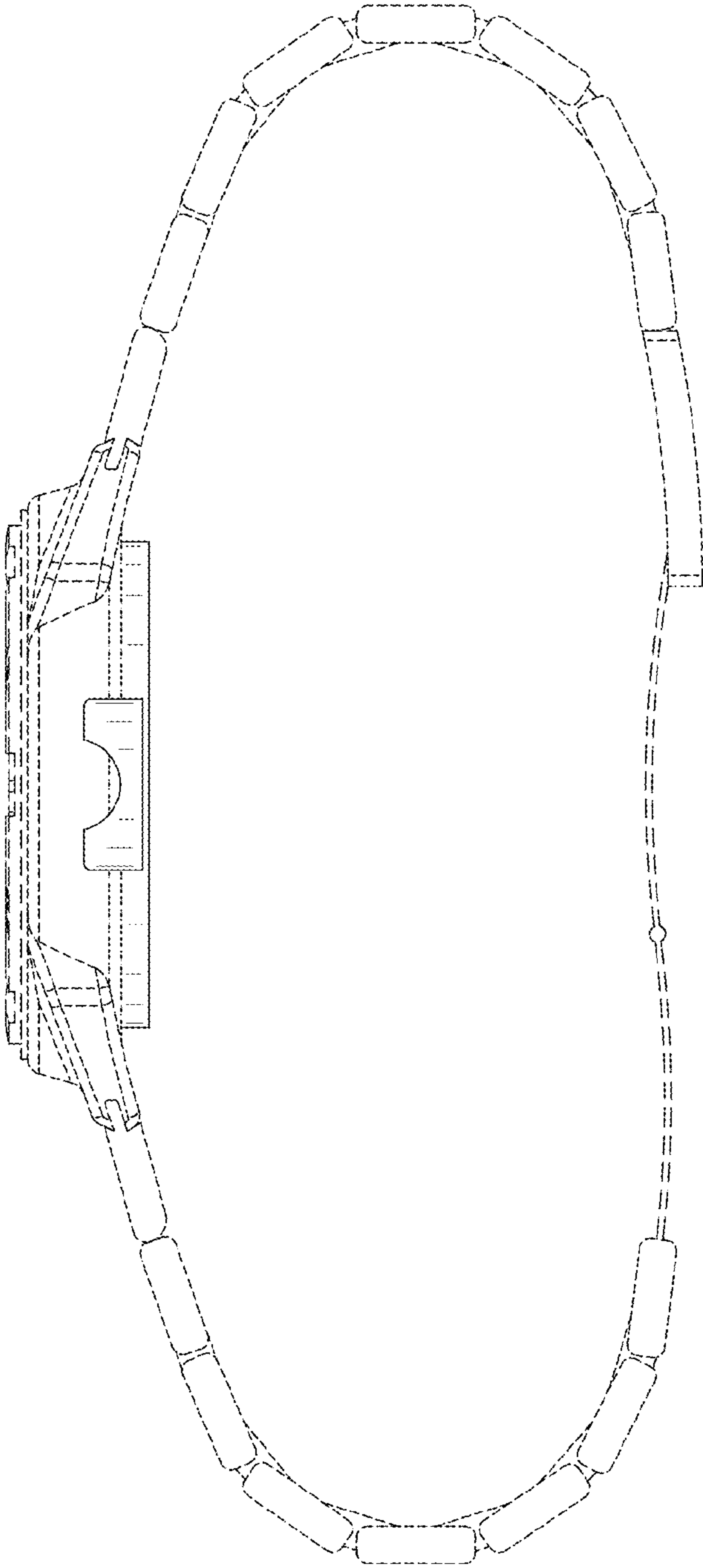


FIG. 12

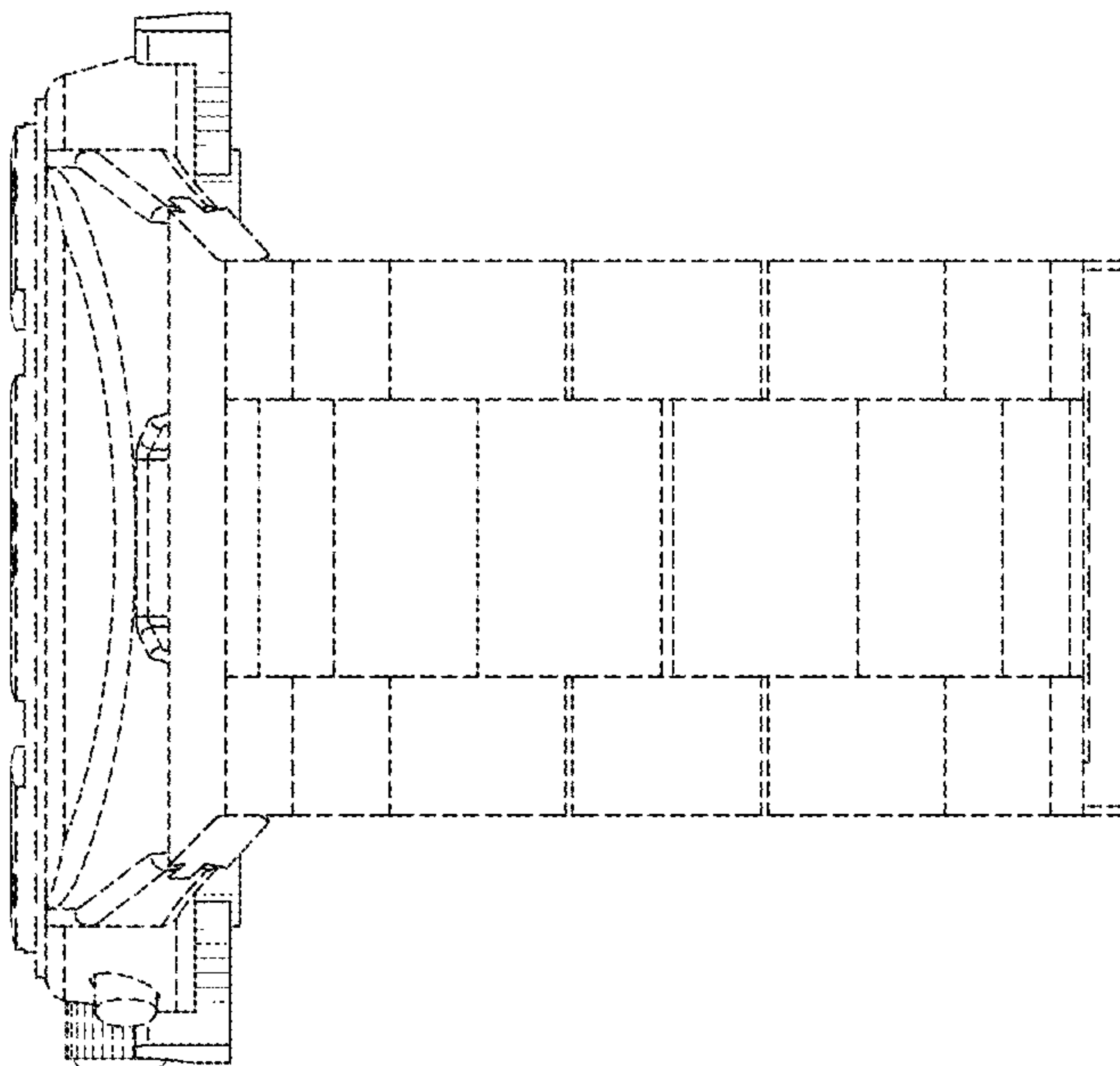


FIG. 13

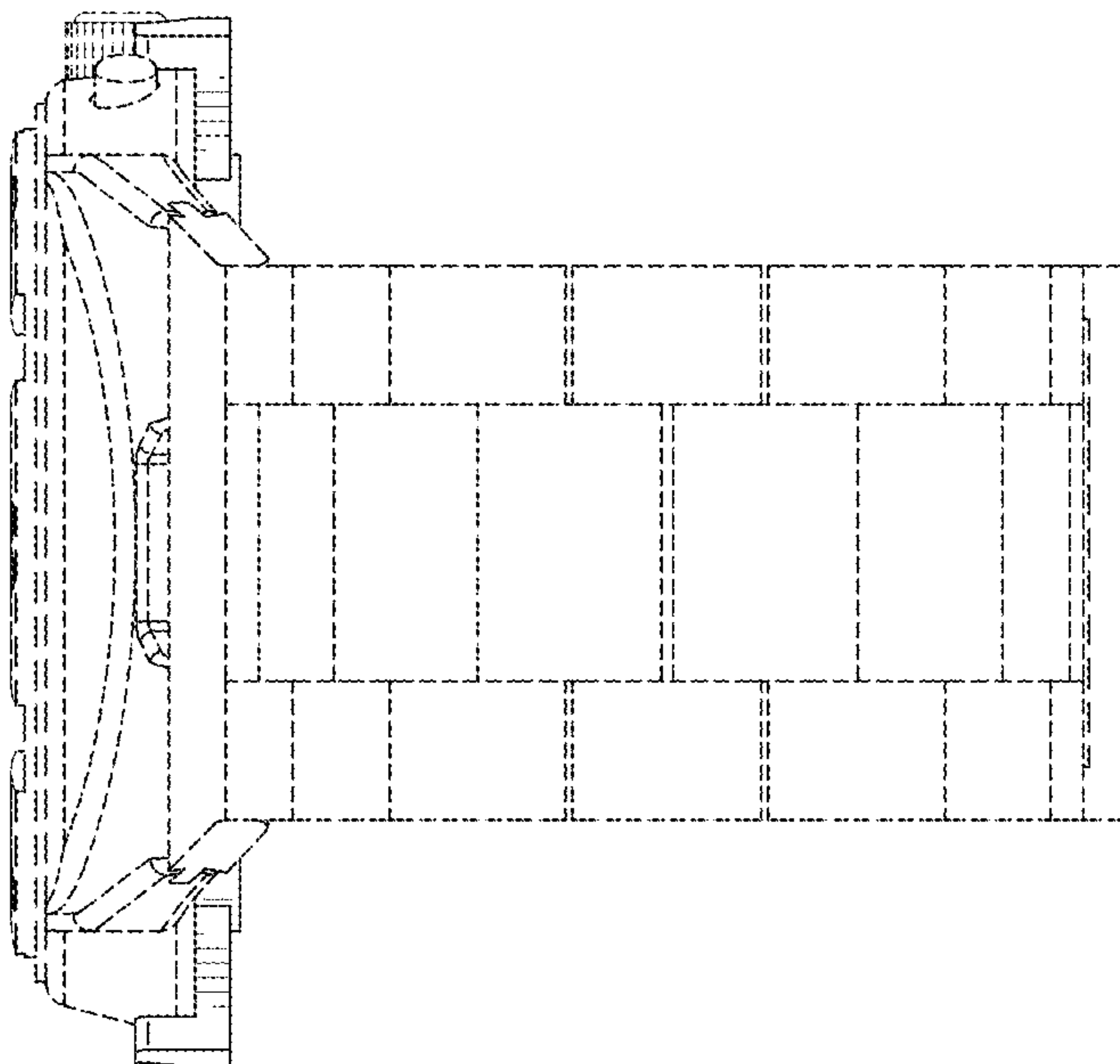


FIG. 14