



US00D722087S

(12) **United States Design Patent**
Lim et al.

(10) **Patent No.:** **US D722,087 S**

(45) **Date of Patent:** **** Feb. 3, 2015**

- (54) **TRACTOR SWITCH**
- (71) Applicant: **Deere & Company**, Moline, IL (US)
- (72) Inventors: **Tien-Chuong Lim**, Grovetown, GA (US); **Mark D Evans**, Morrisville, NC (US)
- (73) Assignee: **Deere & Company**, Moline, IL (US)
- (**) Term: **14 Years**
- (21) Appl. No.: **29/490,465**
- (22) Filed: **May 9, 2014**
- (51) **LOC (10) Cl.** **15-03**
- (52) **U.S. Cl.**
USPC **D15/28**
- (58) **Field of Classification Search**
USPC D15/28; D13/162, 164, 168; D14/217, D14/396, 400; D34/34, 35; 318/700, 701; 180/315, 316, 325, 19.1, 19.3, 90; 361/679, 680, 690; 700/90, 160, 17, 700/83; 296/70; 280/43.12, 752
See application file for complete search history.

- D660,328 S * 5/2012 Doberstein et al. D15/89
- 8,256,197 B2 * 9/2012 Kahnert 56/10.2 R
- D685,397 S * 7/2013 Anderson et al. D15/28
- D689,443 S * 9/2013 Ewringmann D13/168
- D690,325 S * 9/2013 Scott et al. D15/28
- D690,326 S * 9/2013 Scott et al. D15/28
- D695,234 S * 12/2013 Santiago et al. D13/162
- D706,309 S * 6/2014 Klein et al. D15/28
- D710,400 S * 8/2014 Oeder et al. D15/28

(Continued)

OTHER PUBLICATIONS

Kubota Grand Cab L3560/L4060/L4760/L5060/L5460/L6060. Product Brochure [online]. Kubota Tractor Corporation [retrieved Sep. 2014]. Retrieved from the internet: <https://www.kubota.com/product/L60/documents/gl60_grand_cab.pdf>.

(Continued)

Primary Examiner — Mark Goodwin

(57) **CLAIM**

The ornamental design for a tractor switch, as shown and described.

DESCRIPTION

FIG. 1 is a perspective view of a tractor switch showing our new design.

FIG. 2 is a front view thereof.

FIG. 3 is a left side view thereof.

FIG. 4 is a right side view thereof.

FIG. 5 is a rear view thereof.

FIG. 6 is a top view thereof; and,

FIG. 7 is a bottom view thereof.

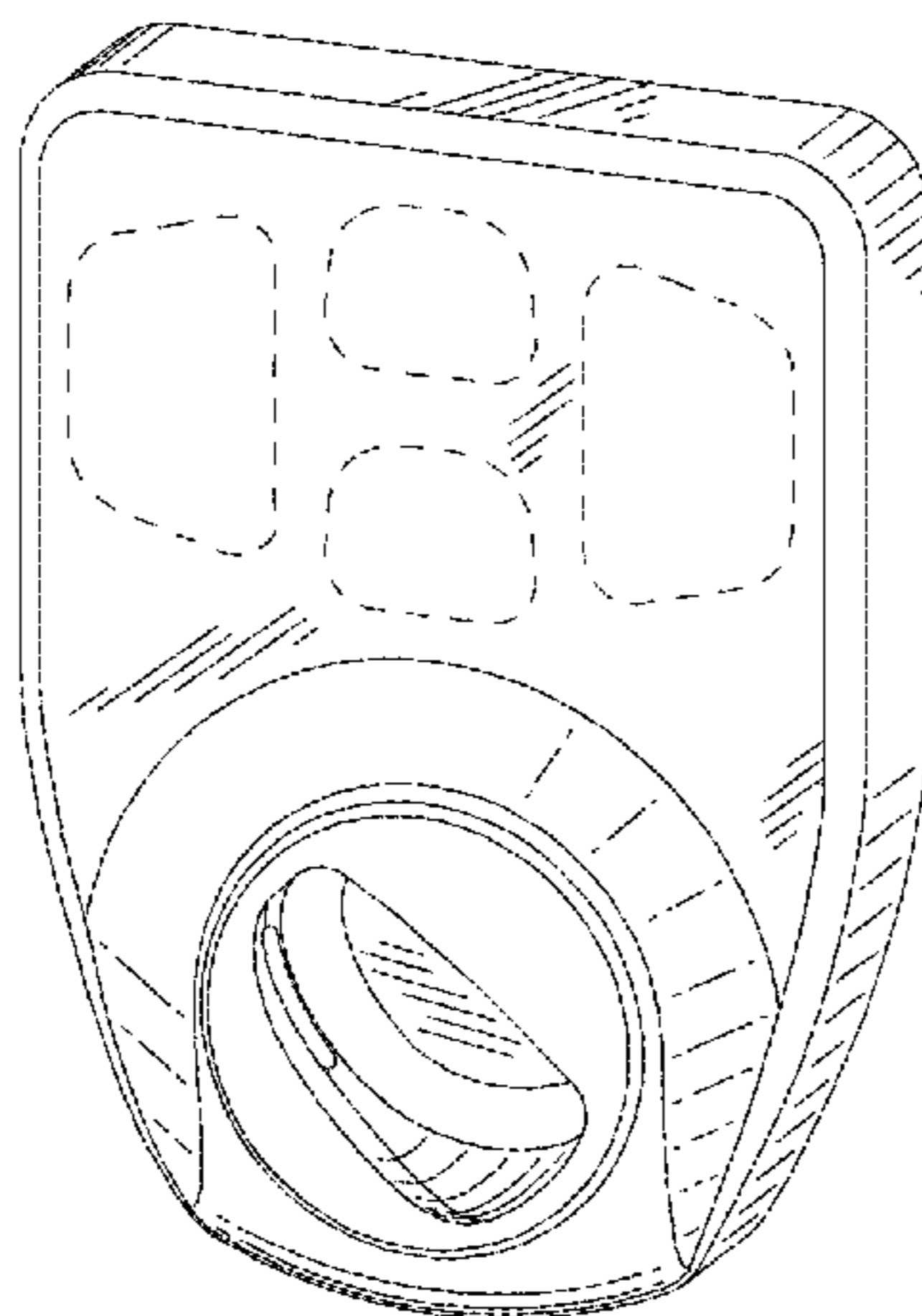
The broken lines shown in FIGS. 1-7 is included for the purpose of illustrating a portion of the tractor switch and forms no part of the claimed design.

The nature of this product is a tractor switch for controlling a tractor or other work vehicle, such as used in the agricultural, landscaping or construction industries.

1 Claim, 3 Drawing Sheets

(56) **References Cited**
U.S. PATENT DOCUMENTS

- D382,569 S * 8/1997 Esposito D15/28
- D404,391 S * 1/1999 Herbstritt et al. D13/162
- D432,995 S * 10/2000 Hubler et al. D13/162
- D434,425 S * 11/2000 Rossow et al. D15/28
- D436,604 S * 1/2001 Rossow et al. D15/28
- D439,257 S * 3/2001 Rossow et al. D15/28
- D477,333 S * 7/2003 Svanson et al. D15/28
- D519,132 S * 4/2006 Laux et al. D15/28
- D532,427 S * 11/2006 Kim D15/28
- D555,676 S * 11/2007 Haubrich et al. D15/28
- D557,190 S * 12/2007 Young et al. D12/192
- 7,422,078 B2 * 9/2008 Straka et al. 180/53.6
- 7,513,322 B2 * 4/2009 Straka et al. 180/53.6
- 7,629,543 B2 * 12/2009 Kahnert 200/17 R
- D659,343 S * 5/2012 Saitou et al. D34/35



(56)

References Cited

U.S. PATENT DOCUMENTS

2007/0251737 A1* 11/2007 Straka et al. 180/53.6
 2010/0044194 A1* 2/2010 Kahnert 200/17 R

OTHER PUBLICATIONS

Kubota BX70. Product Brochure [online]. Kubota Tractor Corporation [retrieved Sep. 2014]. Retrieved from the internet: <http://www.kubota.com/product/bx70/pdf/BX70_features.pdf>.

Kubota B50 Series Cab Models. Product Brochure [online]. Kubota Tractor Corporation [retrieved Sep. 2014]. Retrieved from the internet: <http://www.kubota.com/product/B50/pdf/B50_features_Cab.pdf>.

John Deere 3000 Series Compact Utility Tractors. Product Brochure [online]. Deere & Company, 2012 [retrieved Sep. 2014]. Retrieved from the internet: <http://www.deere.com/en_US/docs/zmags/residential/online_brochures/utility_tractors/static/3000_series_zmags.html>.

John Deere 4000 Series Compact Utility Tractors. Product Brochure [online]. John Deere, [retrieved Sep. 2014]. Retrieved from the internet: <http://www.deere.com/en_US/docs/zmags/residential/online_brochures/utility_tractors/static/4000_series_zmags.html>.

Mahindra Max Series Tier IV. Product Brochure [online]. Mahindra USA, 2014 [retrieved Sep. 2014]. Retrieved from the internet: <<http://mahindrausa.com/sites/default/files/tractor/pdf/MAH-MAXT4%20pgs%20070714.pdf>>.

Mahindra 16 Series. Product Brochure [online]. Mahindra USA, [retrieved Sep. 2014]. Retrieved from the internet: <<http://>

mahindrausa.com/sites/default/files/tractor/pdf/MAH5416%20pgs%20012114.pdf>.

Mahindra eMax Series. Product Brochure [online]. Mahindra USA, [retrieved Sep. 2014]. Retrieved from the internet: <<http://mahindrausa.com/sites/default/files/tractor/pdf/MAH54eMax%20pgs%20050914.pdf>>.

New Holland Agriculture Boomer Compact Tractor 24 HP. Product Brochure [online]. CNH America, 2014 [retrieved Sep. 2014]. Retrieved from the internet: <http://agriculture.newholland.com/us/en/Products/Compact-Tractors-and-Commercial-Mowers/Documents/Boomer24_NH31002410_NAR.pdf>.

New Holland Agriculture Boomer Compact Tractors Boomer 33 to 47 HP. Product Brochure [online]. CNH America, 2014 [retrieved Sep. 2014]. <http://agriculture.newholland.com/us/en/Products/Compact-Tractors-and-Commercial-Mowers/Documents/Boomer3347_NH31003340_INB.PDF>.

Kioti CS 2410 Sub-Compact Tractor. Product Brochure [online]. Daedong USA, 2012. [retrieved Sep. 2014]. Retrieved from the internet: <http://www.kioti.com/wp-content/uploads/2012/10/US_CS2410-Catalog-05-2012.pdf>.

Kioti Utility Tractor NX4510/NX5010/NX5510/NX6010. Product Brochure [online]. Daedong USA, 2013 [retrieved Sep. 2014]. Retrieved from the internet: <http://www.kioti.com/wp-content/uploads/2013/11/US_NX_Series2014.06v2Compressed.pdf>.

John Deere 1 Family 1023E and 1025R Sub-Compact Utility Tractors. Deere & Company, 2014 [retrieved Sep. 2014]. Retrieved from the internet: <http://www.deere.com/en_US/docs/html/brochures/publication.html?id=2fc2d3e8#12>.

* cited by examiner

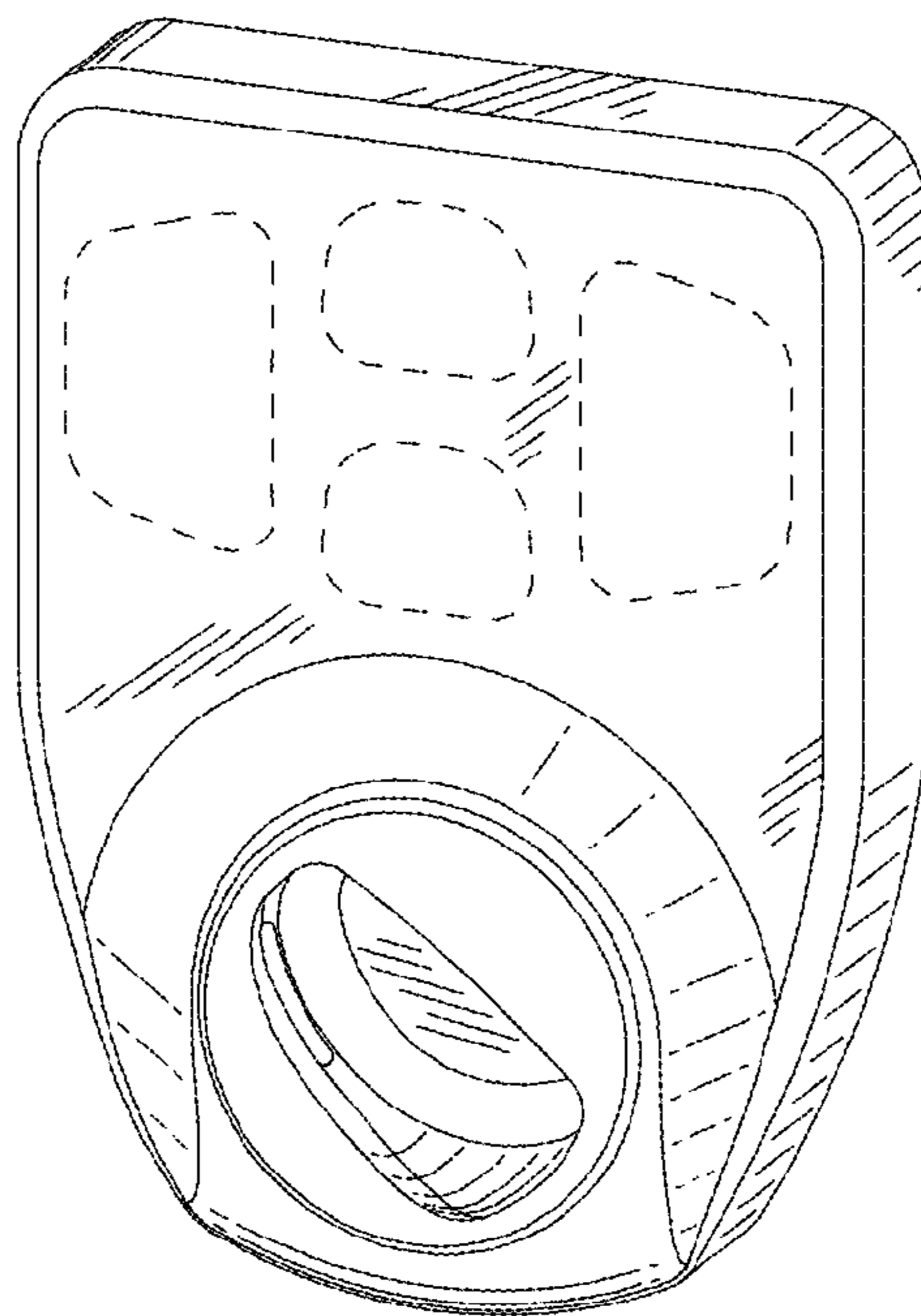


FIG. 1

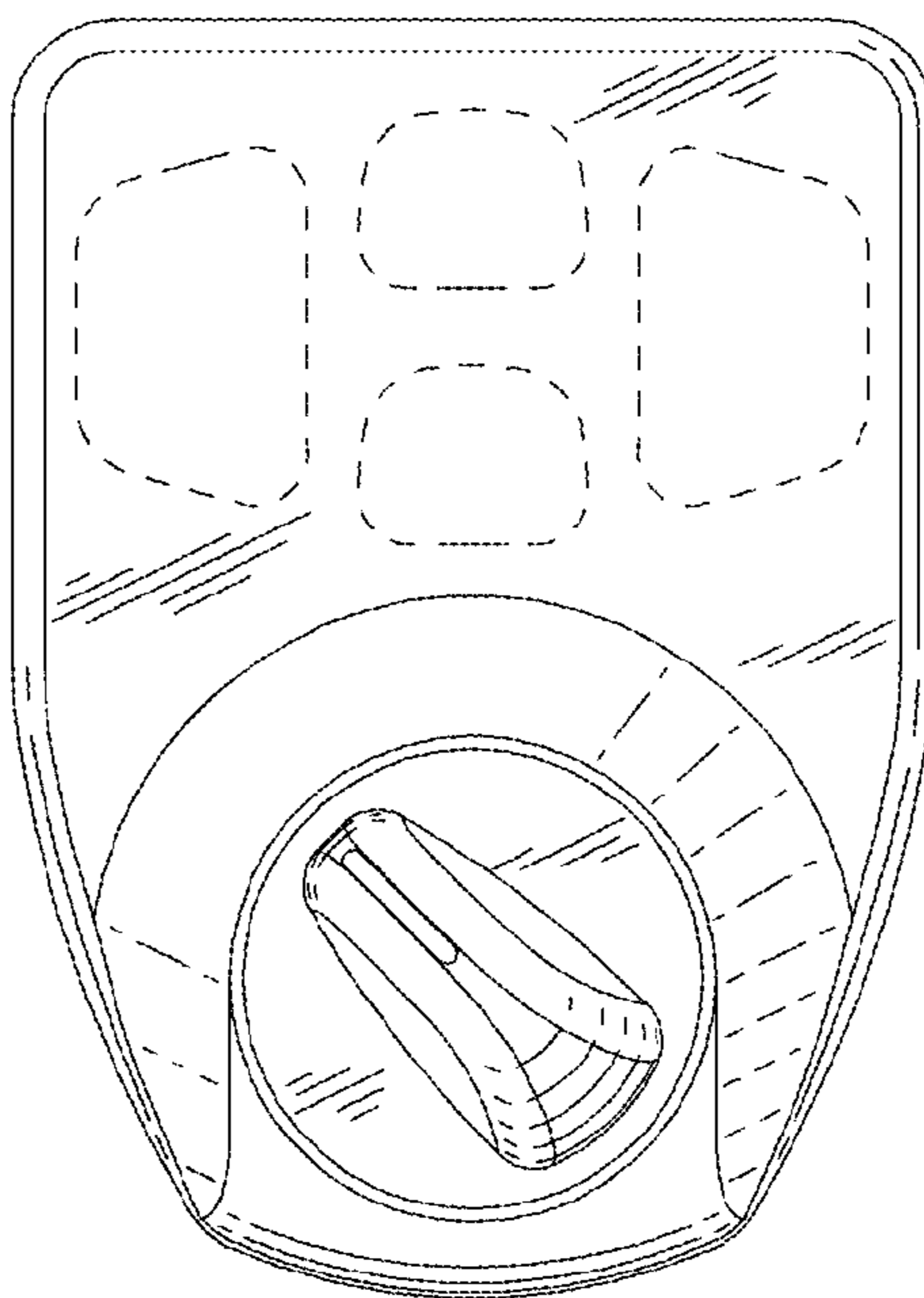


FIG. 2

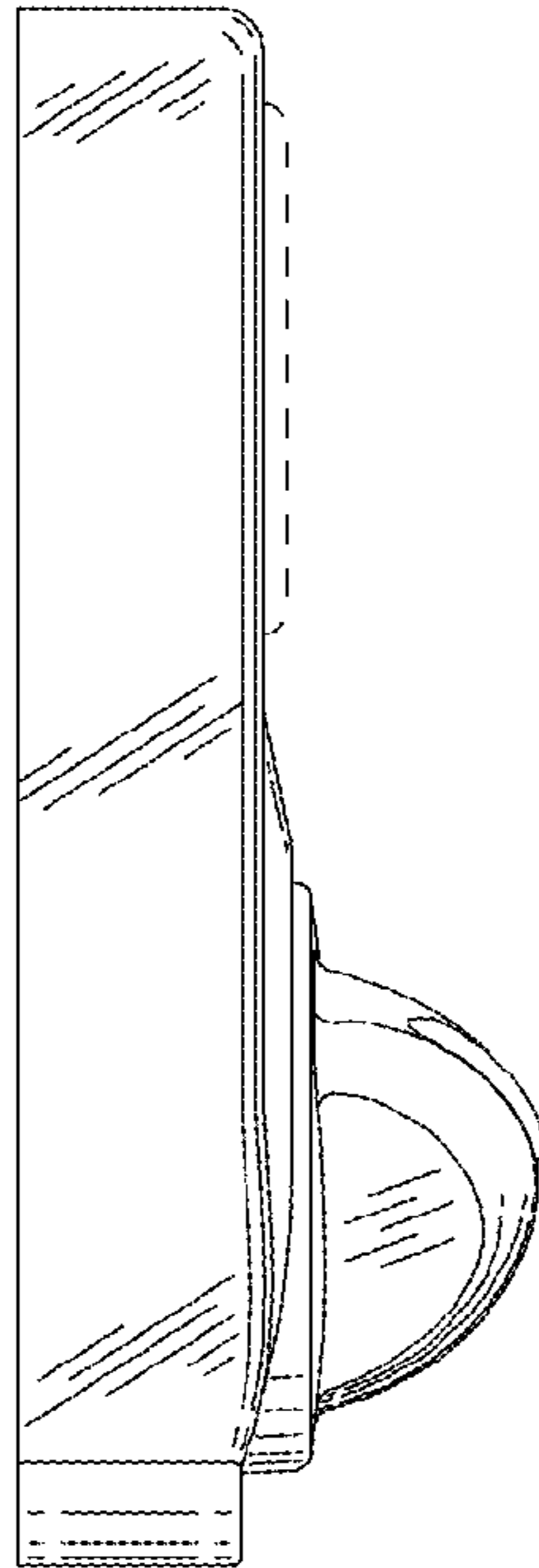


FIG. 3

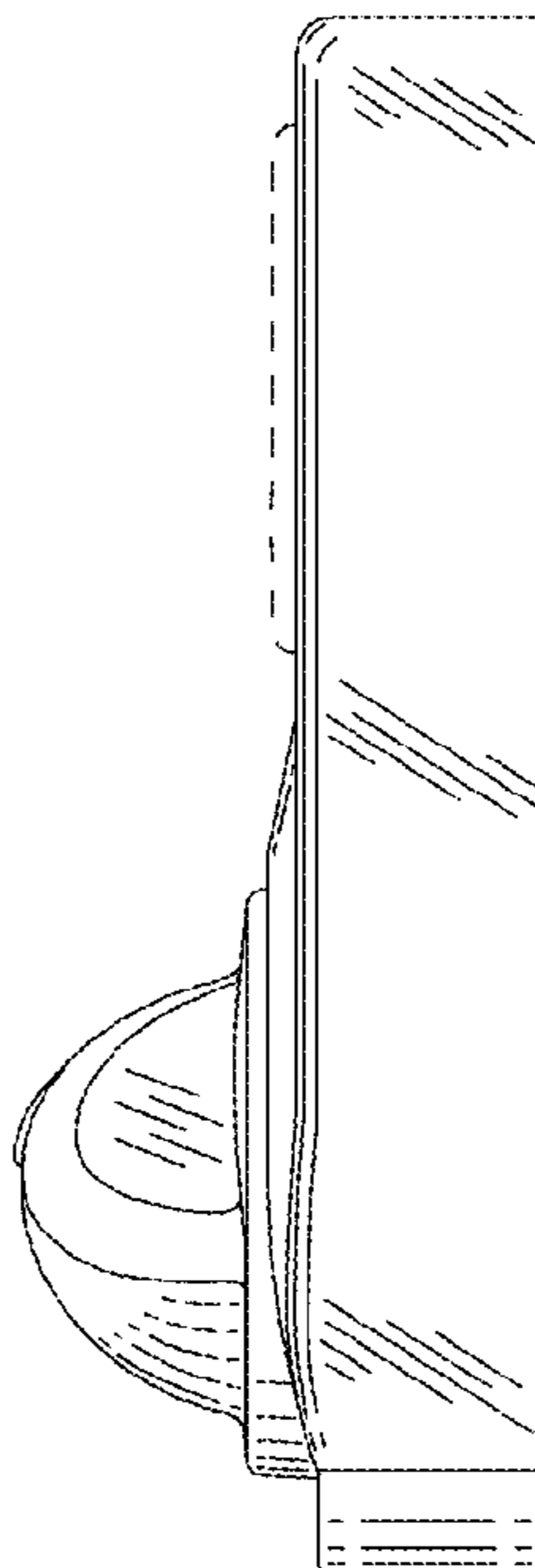


FIG. 4

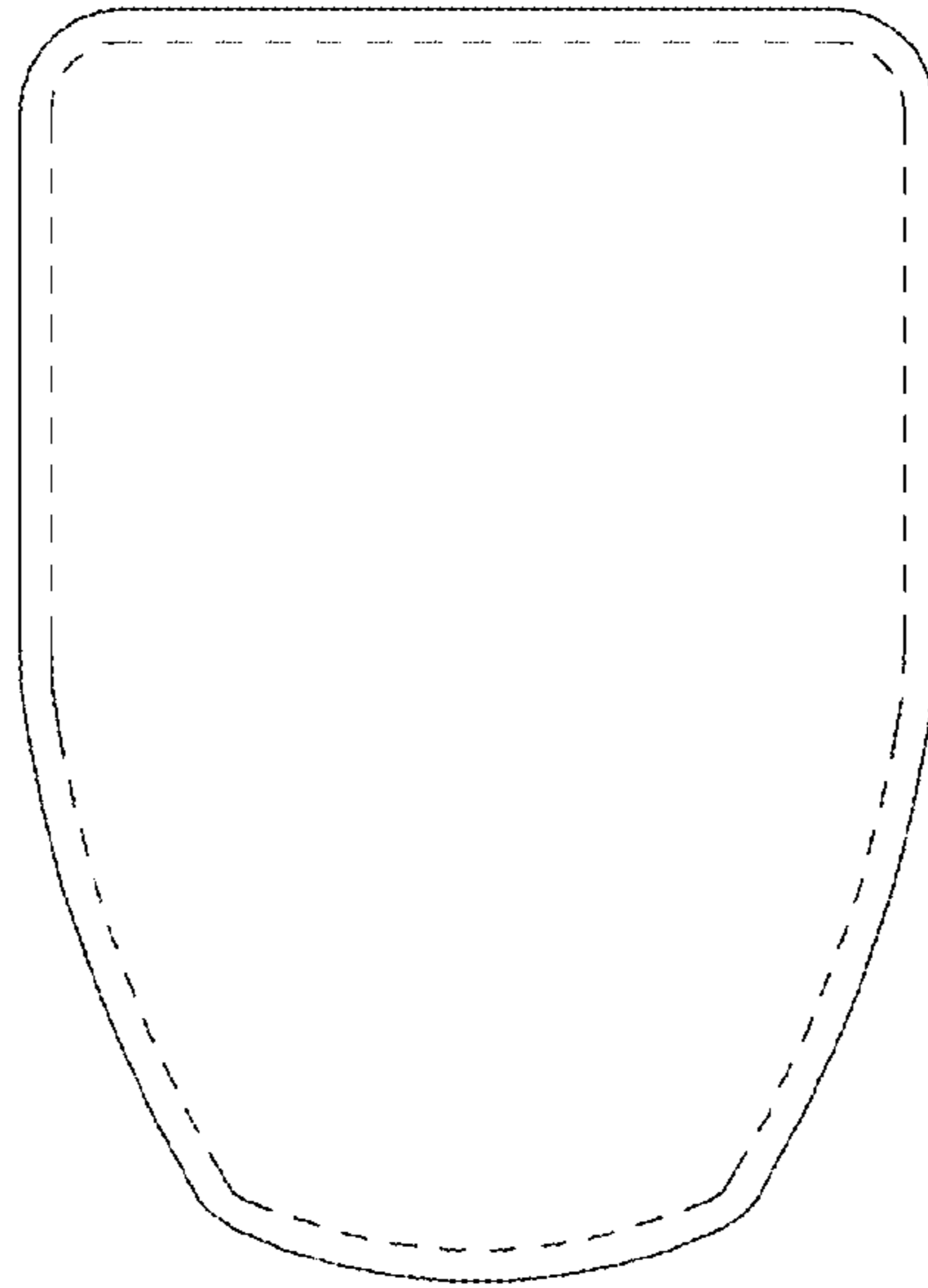


FIG. 5

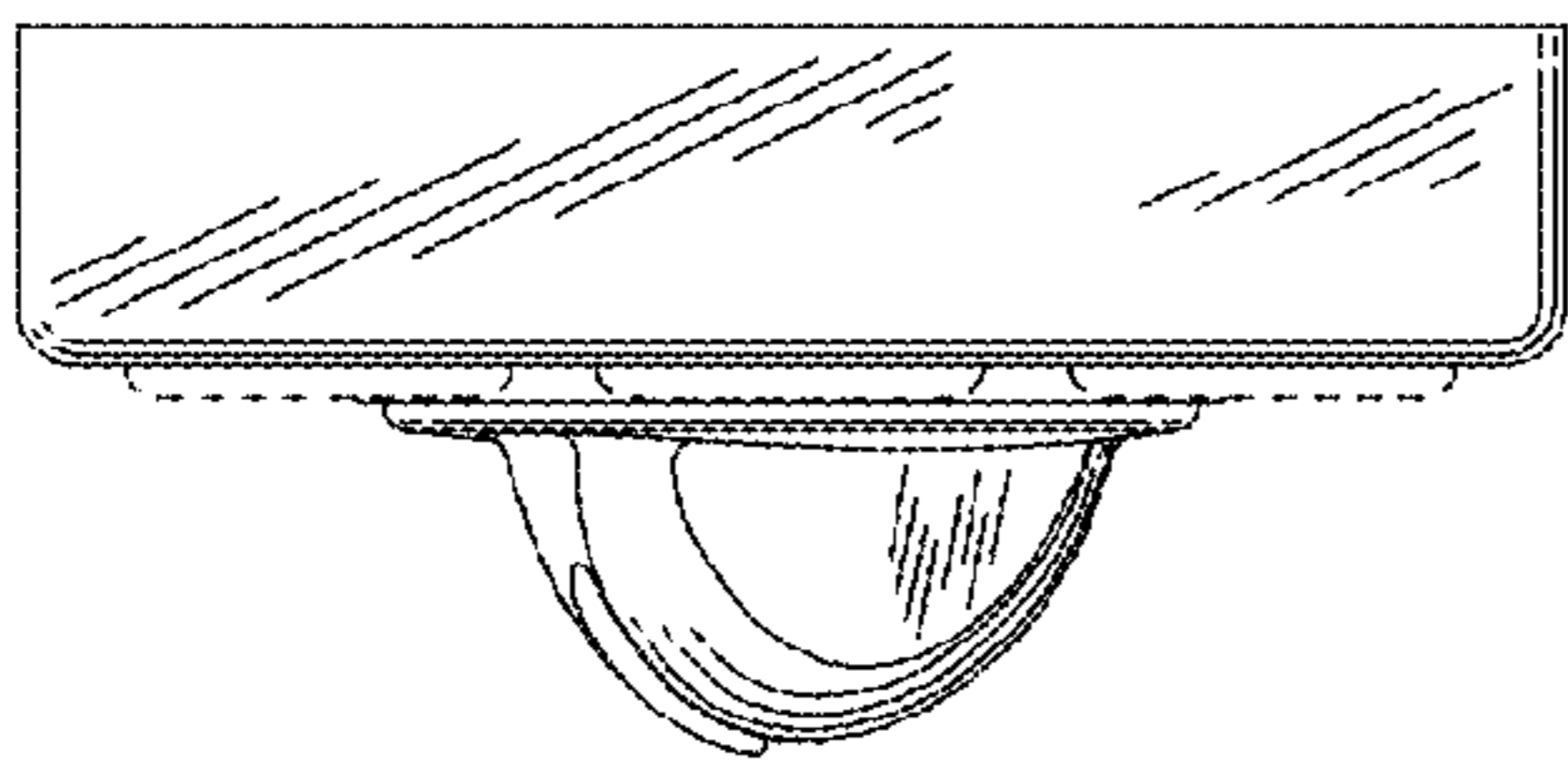


FIG. 6

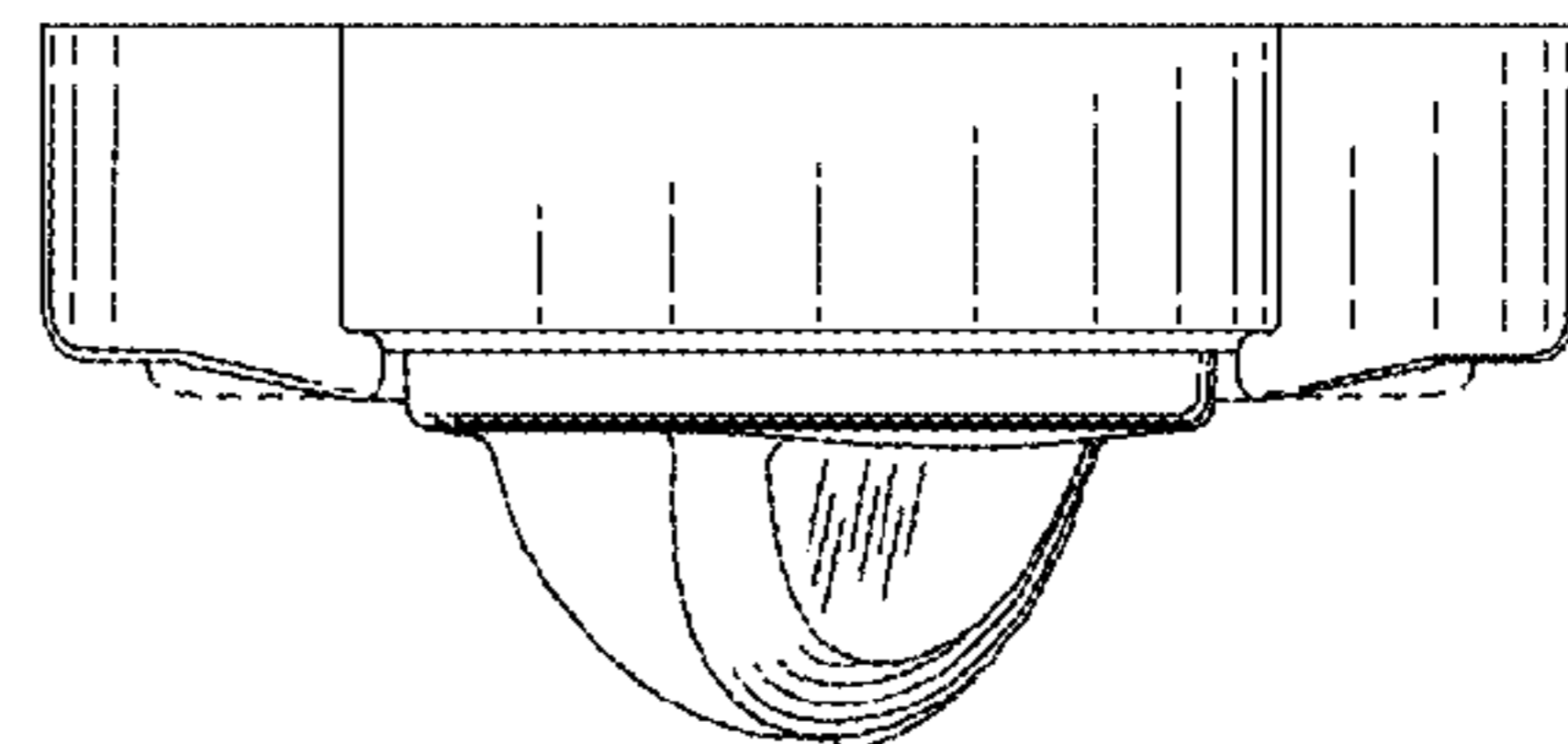


FIG. 7