



US00D722086S

(12) **United States Design Patent**
Lim et al.

(10) **Patent No.:** **US D722,086 S**
(45) **Date of Patent:** **** Feb. 3, 2015**

- (54) **TRACTOR SWITCH**
- (71) Applicant: **Deere & Company**, Moline, IL (US)
- (72) Inventors: **Tien-Chuong Lim**, Grovetown, GA (US); **Mark D Evans**, Morrisville, NC (US)
- (73) Assignee: **Deere & Company**, Moline, IL (US)
- (**) Term: **14 Years**
- (21) Appl. No.: **29/490,455**
- (22) Filed: **May 9, 2014**
- (51) **LOC (10) Cl.** **15-03**
- (52) **U.S. Cl.**
USPC **D15/28**
- (58) **Field of Classification Search**
USPC D15/28; D13/162, 164, 168; D14/217, D14/396, 400; D34/34, 35; 318/700, 701; 180/315, 316, 325, 19.1, 19.3, 90; 361/679, 680, 690; 700/90, 160, 17, 700/83; 296/70; 280/43.12, 752
See application file for complete search history.

D660,328	S *	5/2012	Doberstein et al.	D15/89
8,256,197	B2 *	9/2012	Kahnert	56/10.2 R
D685,397	S *	7/2013	Anderson et al.	D15/28
D689,443	S *	9/2013	Ewringmann	D13/168
D690,325	S *	9/2013	Scott et al.	D15/28
D690,326	S *	9/2013	Scott et al.	D15/28
D695,234	S *	12/2013	Santiago et al.	D13/162
D706,309	S *	6/2014	Klein et al.	D15/28
D710,400	S *	8/2014	Oeder et al.	D15/28
2007/0251737	A1 *	11/2007	Straka et al.	180/53.6
2010/0044194	A1 *	2/2010	Kahnert	200/17 R

OTHER PUBLICATIONS

Kubota Grand Cab L3560/L4060/L4760/L5060/L5460/L6060. Product Brochure [online]. Kubota Tractor Corporation [retrieved Sep. 2014]. Retrieved from the Internet: <https://www.kubota.com/product/L60/documents/gl60_grand_cab.pdf>.

(Continued)

Primary Examiner — Mark Goodwin

(57) **CLAIM**

The ornamental design for a tractor switch, as shown and described.

DESCRIPTION

FIG. 1 is a perspective view of a tractor switch showing our new design.

FIG. 2 is a front view thereof.

FIG. 3 is a left side view thereof.

FIG. 4 is a right side view thereof.

FIG. 5 is a rear view thereof.

FIG. 6 is a top view thereof; and,

FIG. 7 is a bottom view thereof.

The broken line shown in FIG. 5 is included for the purpose of illustrating a portion of the tractor switch and forms no part of the claimed design.

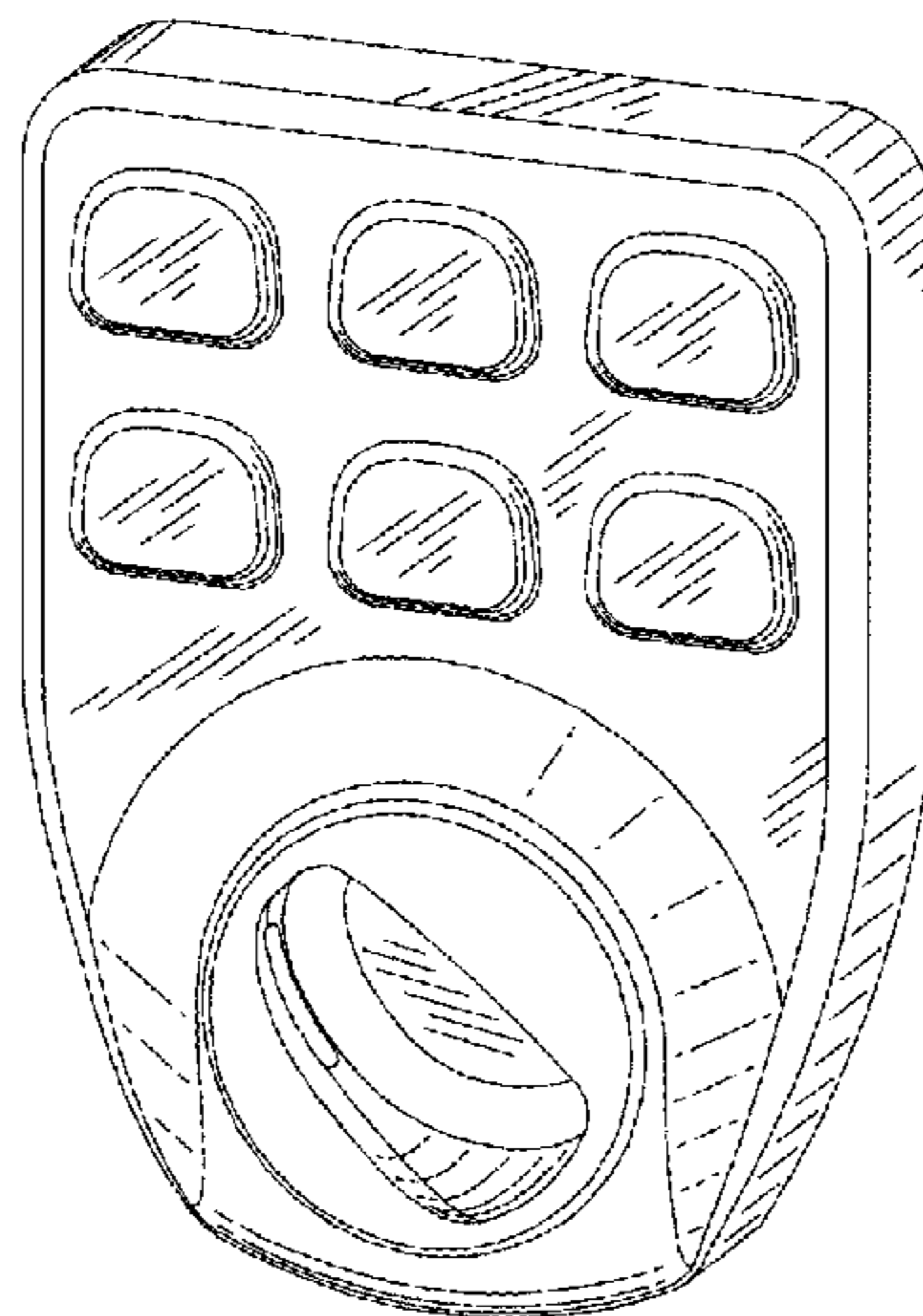
The nature of this product is a tractor switch for controlling a tractor or other work vehicle, such as used in the agricultural, landscaping or construction industries.

1 Claim, 3 Drawing Sheets

(56) **References Cited**

U.S. PATENT DOCUMENTS

D382,569	S *	8/1997	Esposito	D15/28
D404,391	S *	1/1999	Herbstritt et al.	D13/162
D432,995	S *	10/2000	Hubler et al.	D13/162
D434,425	S *	11/2000	Rossow et al.	D15/28
D436,604	S *	1/2001	Rossow et al.	D15/28
D439,257	S *	3/2001	Rossow et al.	D15/28
D477,333	S *	7/2003	Svanson et al.	D15/28
D519,132	S *	4/2006	Laux et al.	D15/28
D532,427	S *	11/2006	Kim	D15/28
D555,676	S *	11/2007	Haubrich et al.	D15/28
D557,190	S *	12/2007	Young et al.	D12/192
7,422,078	B2 *	9/2008	Straka et al.	180/53.6
7,513,322	B2 *	4/2009	Straka et al.	180/53.6
7,629,543	B2 *	12/2009	Kahnert	200/17 R
D659,343	S *	5/2012	Saitou et al.	D34/35



(56)

References Cited

OTHER PUBLICATIONS

Kubota BX70. Product Brochure [online]. Kubota Tractor Corporation [retrieved Sep. 2014]. Retrieved from the internet: <http://www.kubota.com/product/bx70/pdf/BX70_features.pdf>.

Kubota B50 Series Cab Models. Product Brochure [online]. Kubota Tractor Corporation [retrieved Sep. 2014]. Retrieved from the internet: <http://www.kubota.com/product/B50/pdf/B50_features_Cab.pdf>.

John Deere 3000 Series Compact Utility Tractors. Product Brochure [online]. Deere & Company, 2012 [retrieved Sep. 2014]. Retrieved from the internet: <http://www.deere.com/en_US/docs/zmags/residential/online_brochures/utility_tractors/static/3000_series_zmags.html>.

John Deere 4000 Series Compact Utility Tractors. Product Brochure [online]. John Deere, [retrieved Sep. 2014]. Retrieved from the internet: <http://www.deere.com/en_US/docs/zmags/residential/online_brochures/utility_tractors/static/4000_series_zmags.html>.

Mahindra Max Series Tier IV. Product Brochure [online]. Mahindra USA, 2014 [retrieved Sep. 2014]. Retrieved from the internet: <<http://mahindrausa.com/sites/default/files/tractor/pdf/MAH-MAXT4%20pgs%20070714.pdf>>.

Mahindra 16 Series. Product Brochure [online]. Mahindra USA, [retrieved Sep. 2014]. Retrieved from the internet: <<http://mahindrausa.com/sites/default/files/tractor/pdf/MAH5416%20pgs%20012114.pdf>>.

Mahindra eMax Series. Product Brochure [online]. Mahindra USA, [retrieved Sep. 2014]. Retrieved from the internet: <<http://mahindrausa.com/sites/default/files/tractor/pdf/MAH54eMax%20pgs%20050914.pdf>>.

New Holland Agriculture Boomer Compact Tractor 24 HP. Product Brochure [online]. CNH America, 2014 [retrieved Sep. 2014]. Retrieved from the internet: <http://agriculture.newholland.com/us/en/Products/Compact-Tractors-and-Commercial-Mowers/Documents/Boomer24_NH31002410_NAR.pdf>.

New Holland Agriculture Boomer Compact Tractors Boomer 33 to 47 HP. Product Brochure [online]. CNH America, 2014 [retrieved Sep. 2014]. <http://agriculture.newholland.com/us/en/Products/Compact-Tractors-and-Commercial-Mowers/Documents/Boomer3347_NH31003340_INB.PDF>.

Kioti CS 2410 Sub-Compact Tractor. Product Brochure [online]. Daedong USA, 2012. [retrieved Sep. 2014]. Retrieved from the internet: <http://www.kioti.com/wp-content/uploads/2012/10/US_CS2410-Catalog-05-2012.pdf>.

Kioti Utility Tractor NX4510/NX5010/NX5510/NX6010. Product Brochure [online]. Daedong USA, 2013 [retrieved Sep. 2014]. Retrieved from the internet: <http://www.kioti.com/wp-content/uploads/2013/11/US_NX_Series2014.06v2Compressed.pdf>.

John Deere 1 Family 1023E and 1025R Sub-Compact Utility Tractors. Deere & Company, 2014 [retrieved Sep. 2014]. Retrieved from the internet: <http://www.deere.com/en_US/docs/html/brochures/publication.html?id=2fc2d3e8#12>.

* cited by examiner

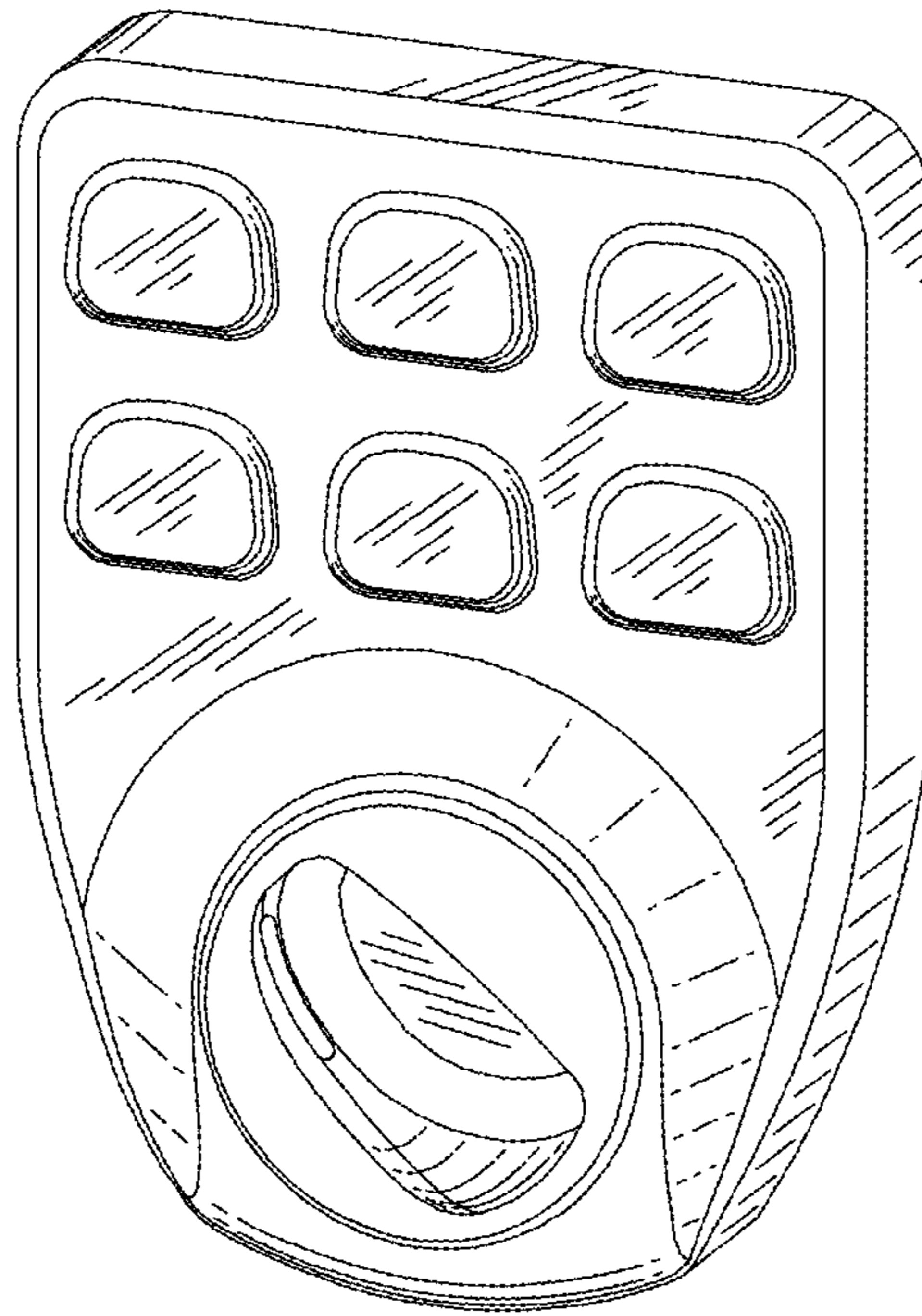


FIG. 1

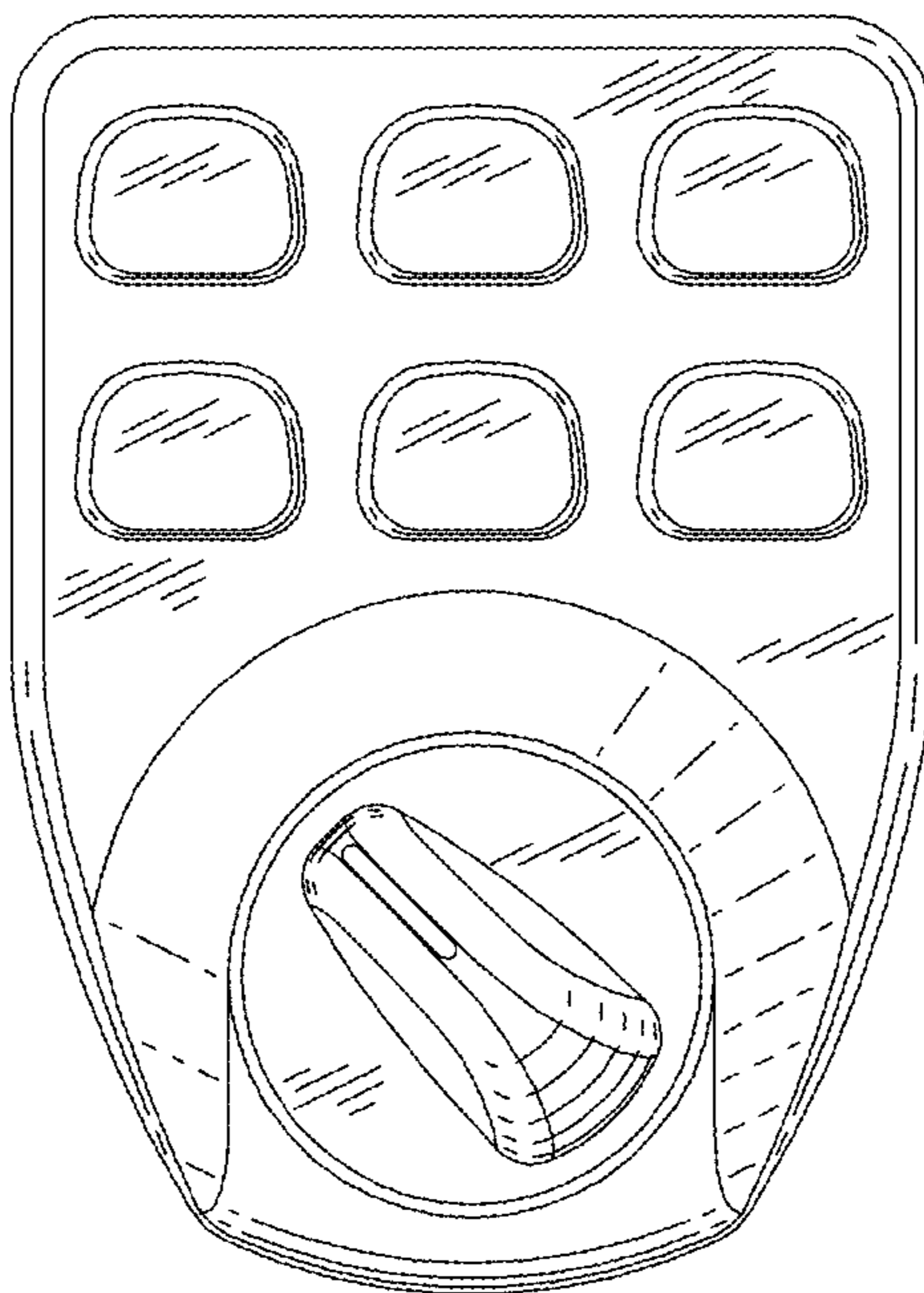


FIG. 2

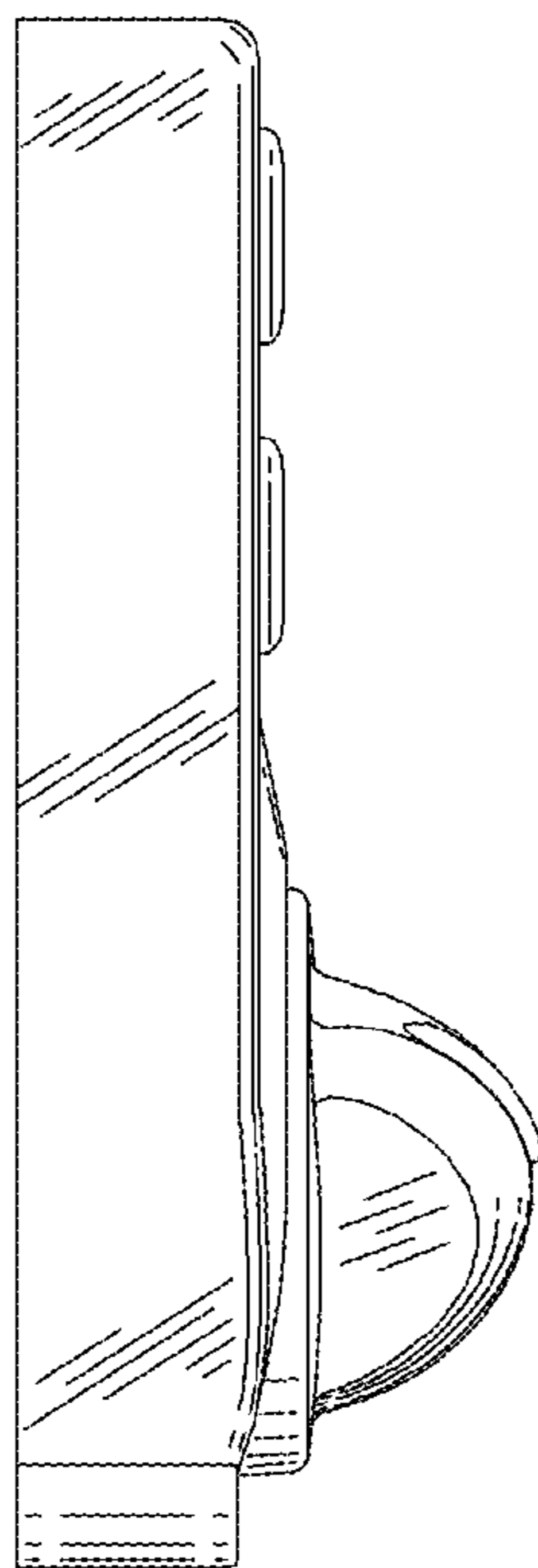


FIG. 3

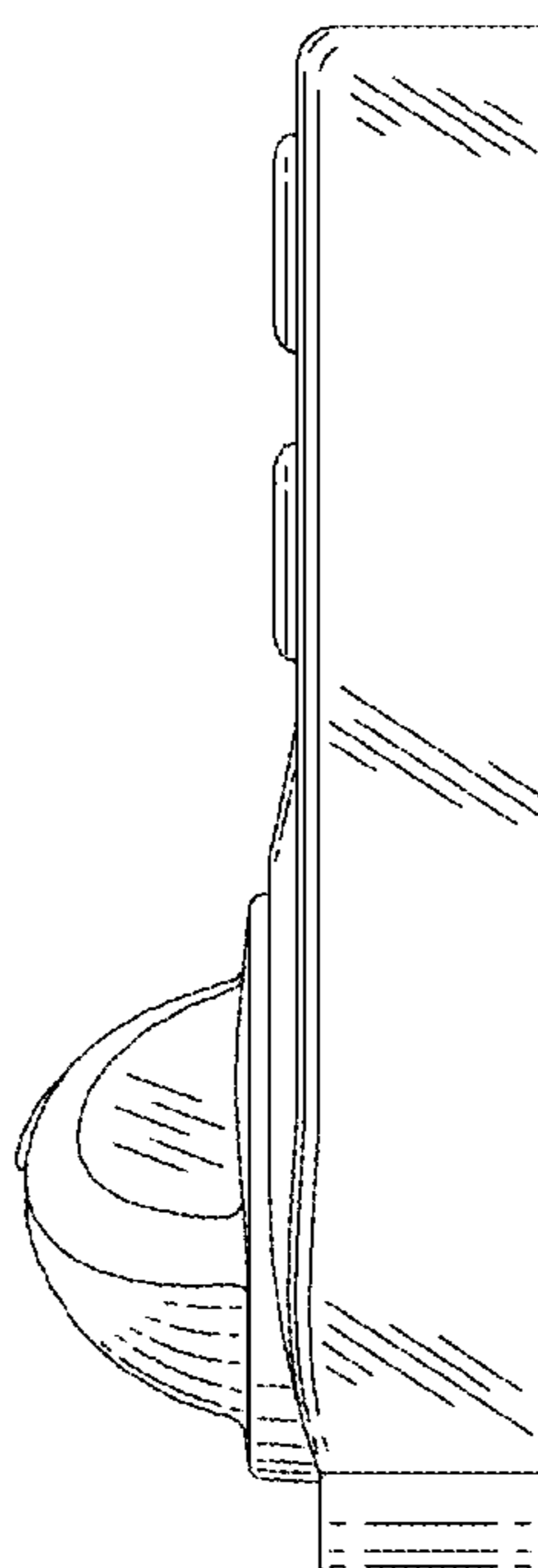


FIG. 4

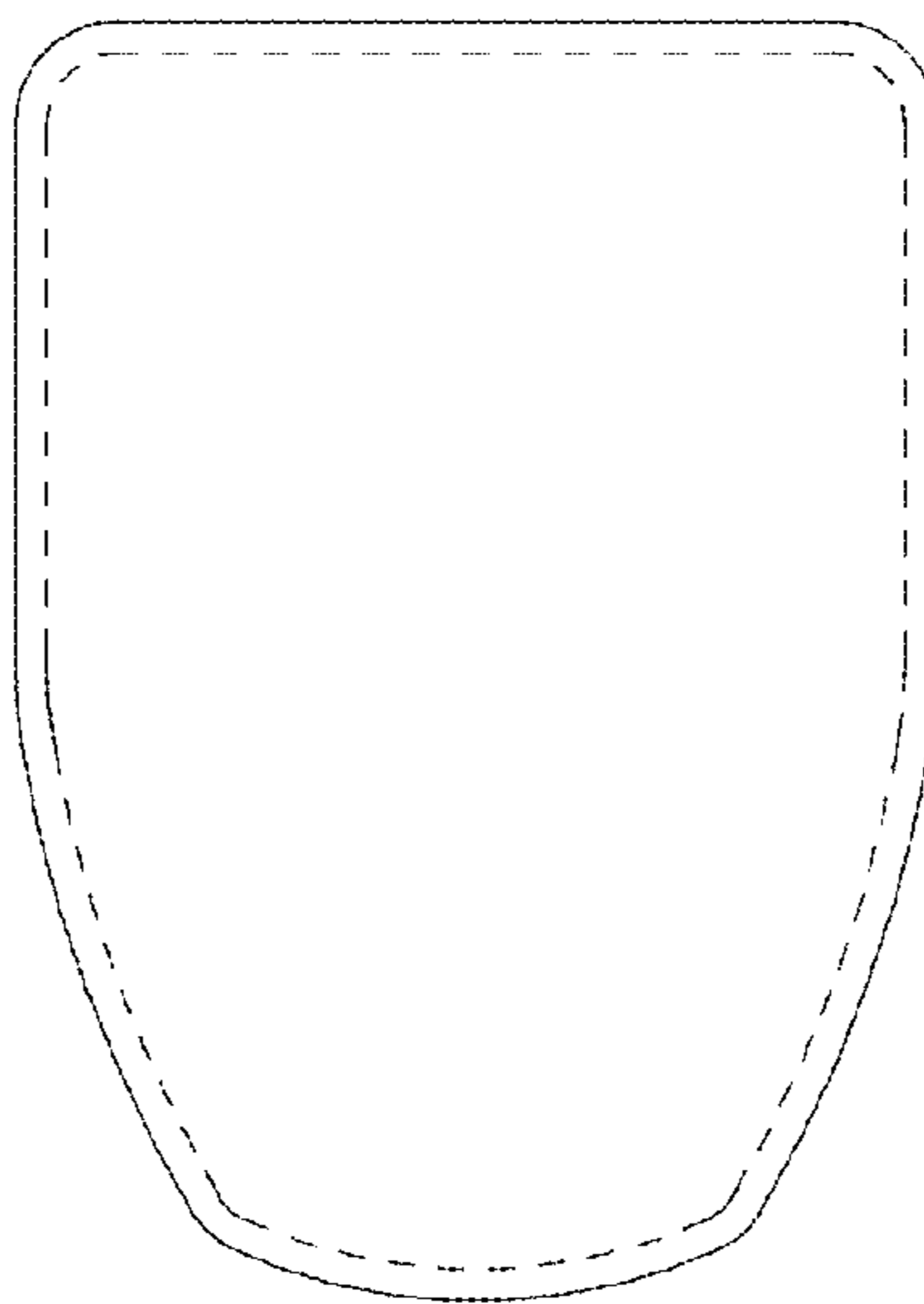


FIG. 5

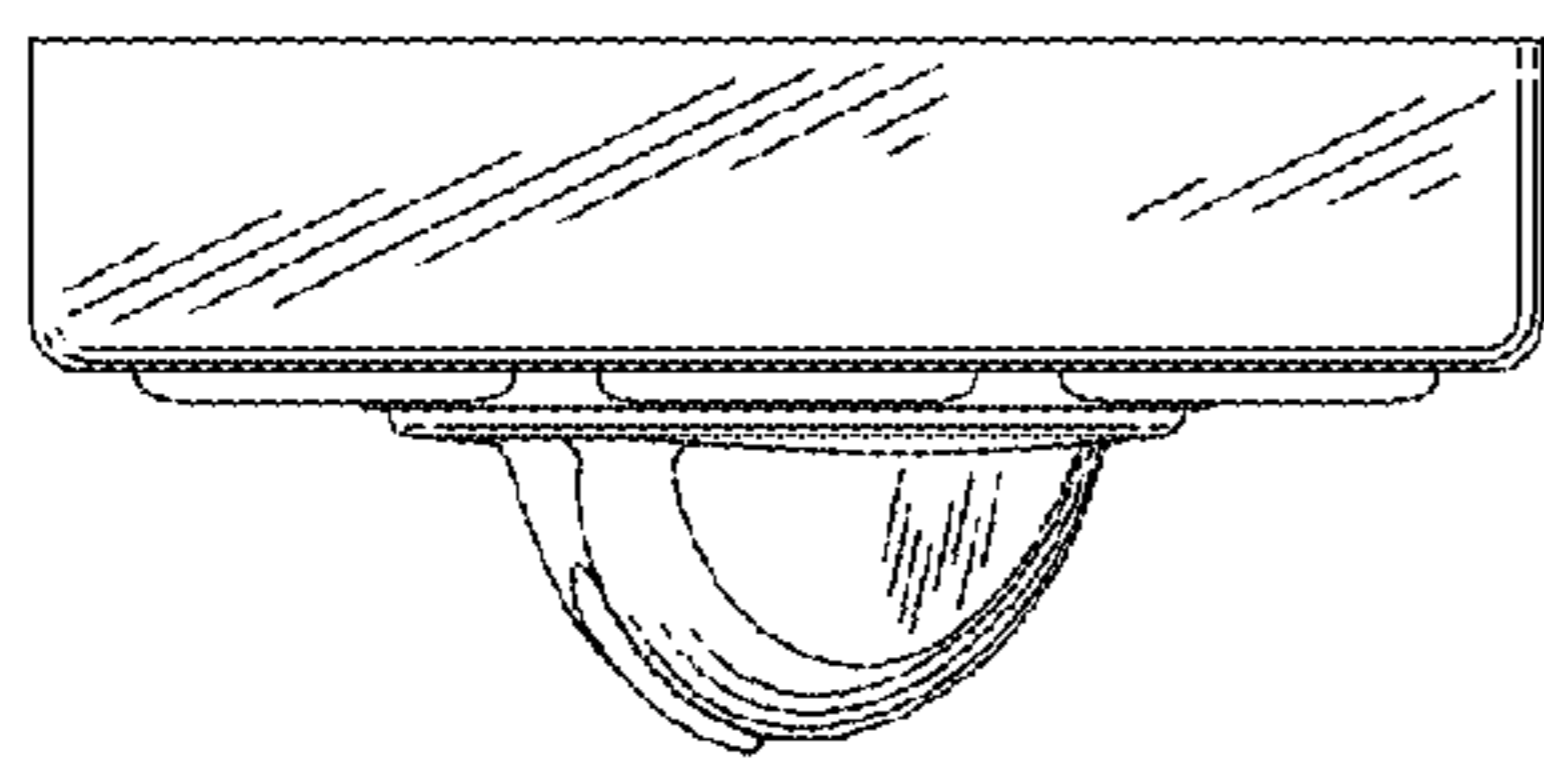


FIG. 6

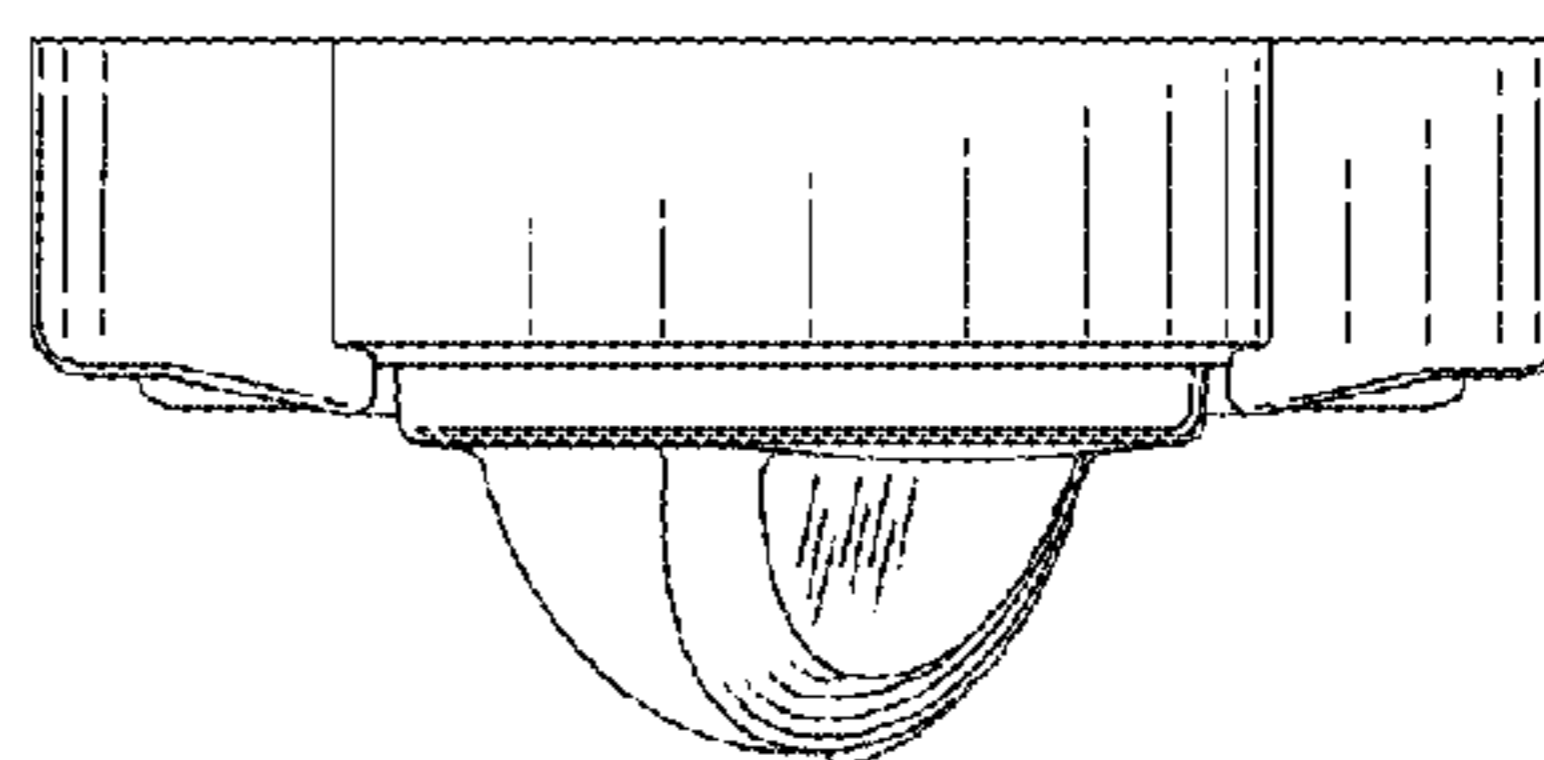


FIG. 7