



US00D722084S

(12) **United States Design Patent**
Lane

(10) **Patent No.:** **US D722,084 S**
(45) **Date of Patent:** **** Feb. 3, 2015**

(54) **ROAD PLATE SECURING ASSEMBLY**

(76) Inventor: **Christopher A. Lane**, Medford, OR
(US)

(**) Term: **14 Years**

(21) Appl. No.: **29/428,058**

(22) Filed: **Jul. 25, 2012**

(51) **LOC (10) Cl.** **15-03**

(52) **U.S. Cl.**
USPC **D15/28**

(58) **Field of Classification Search**
USPC D15/10, 17, 19, 20-29, 32; 404/12, 35;
238/12

See application file for complete search history.

(56) **References Cited**

U.S. PATENT DOCUMENTS

1,055,442 A	3/1913	Browne	
1,658,444 A	2/1928	King	
3,758,191 A	9/1973	Hedgewick	
3,901,993 A	8/1975	Phillips, Jr.	
4,176,789 A	12/1979	Rich	
4,372,488 A *	2/1983	Schonthaler et al.	238/8
4,697,294 A	10/1987	Schafer	
4,746,243 A	5/1988	Perry	
4,808,025 A	2/1989	McGinnis	
4,917,531 A	4/1990	McGinnis	
5,181,657 A *	1/1993	Davis	238/8
5,308,188 A	5/1994	Shaftner	
5,640,821 A	6/1997	Koch	

5,733,444 A	3/1998	Johnson	
5,813,602 A *	9/1998	Holland	238/8
6,422,784 B1	7/2002	Pellegrino et al.	
6,520,714 B1	2/2003	Marsik, Jr.	
6,558,769 B1	5/2003	Chwala	
6,705,536 B1 *	3/2004	Birt et al.	238/8
6,871,791 B1 *	3/2005	Egan, Jr.	238/8
6,988,848 B2	1/2006	Arsenault et al.	
6,994,489 B1	2/2006	Corr	
7,316,834 B2	1/2008	Hernandez	
7,988,066 B2 *	8/2011	Hughes et al.	238/8
2002/0034418 A1	3/2002	Koch	
2003/0031509 A1	2/2003	Marsik, Jr.	
2009/0169208 A1	7/2009	Lane	

* cited by examiner

Primary Examiner — Mark Goodwin
(74) *Attorney, Agent, or Firm* — Jerry Haynes Law

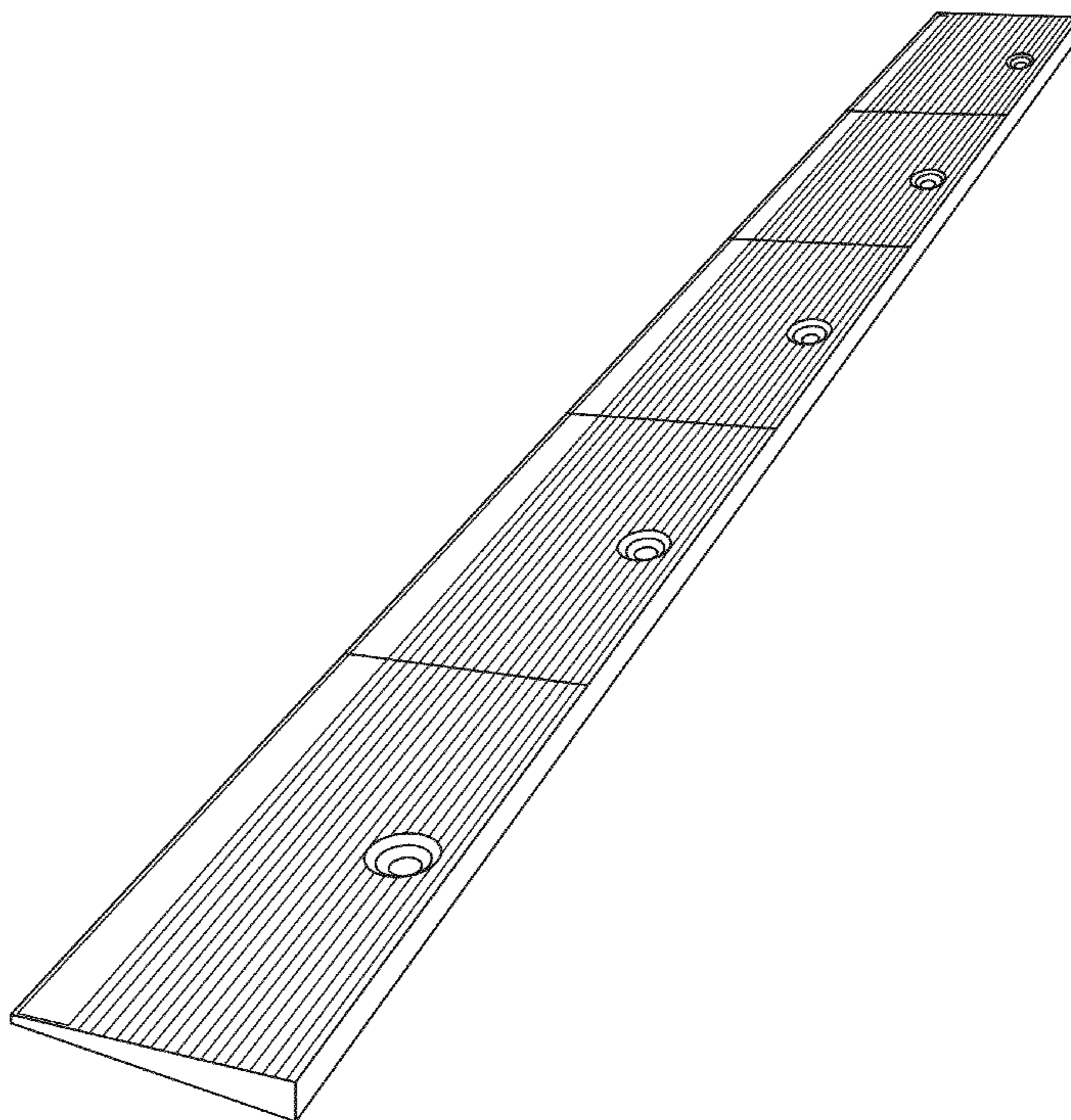
(57) **CLAIM**

The ornamental design for a road plate securing assembly, as shown and described.

DESCRIPTION

FIG. 1 is a top view of a road plate securing assembly showing the new design;
FIG. 2 is a bottom view thereof;
FIG. 3 is an enlarged view of a portion of FIG. 2 thereof;
FIG. 4 is a right side view thereof;
FIG. 5 is a left side view thereof;
FIG. 6 is a front view thereof;
FIG. 7 is a rear view thereof; and,
FIG. 8 is a front perspective view thereof.

1 Claim, 5 Drawing Sheets



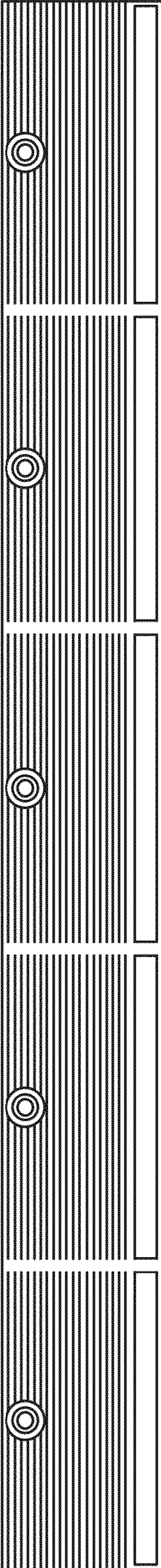


FIG. 1

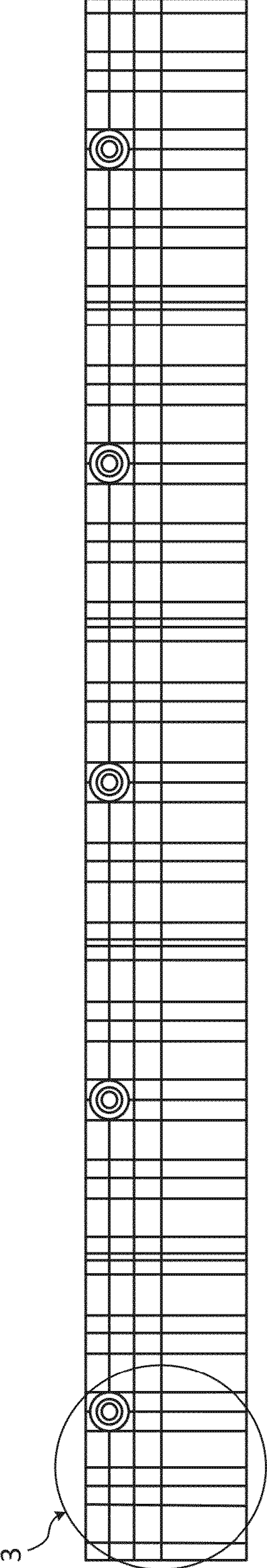


FIG. 2

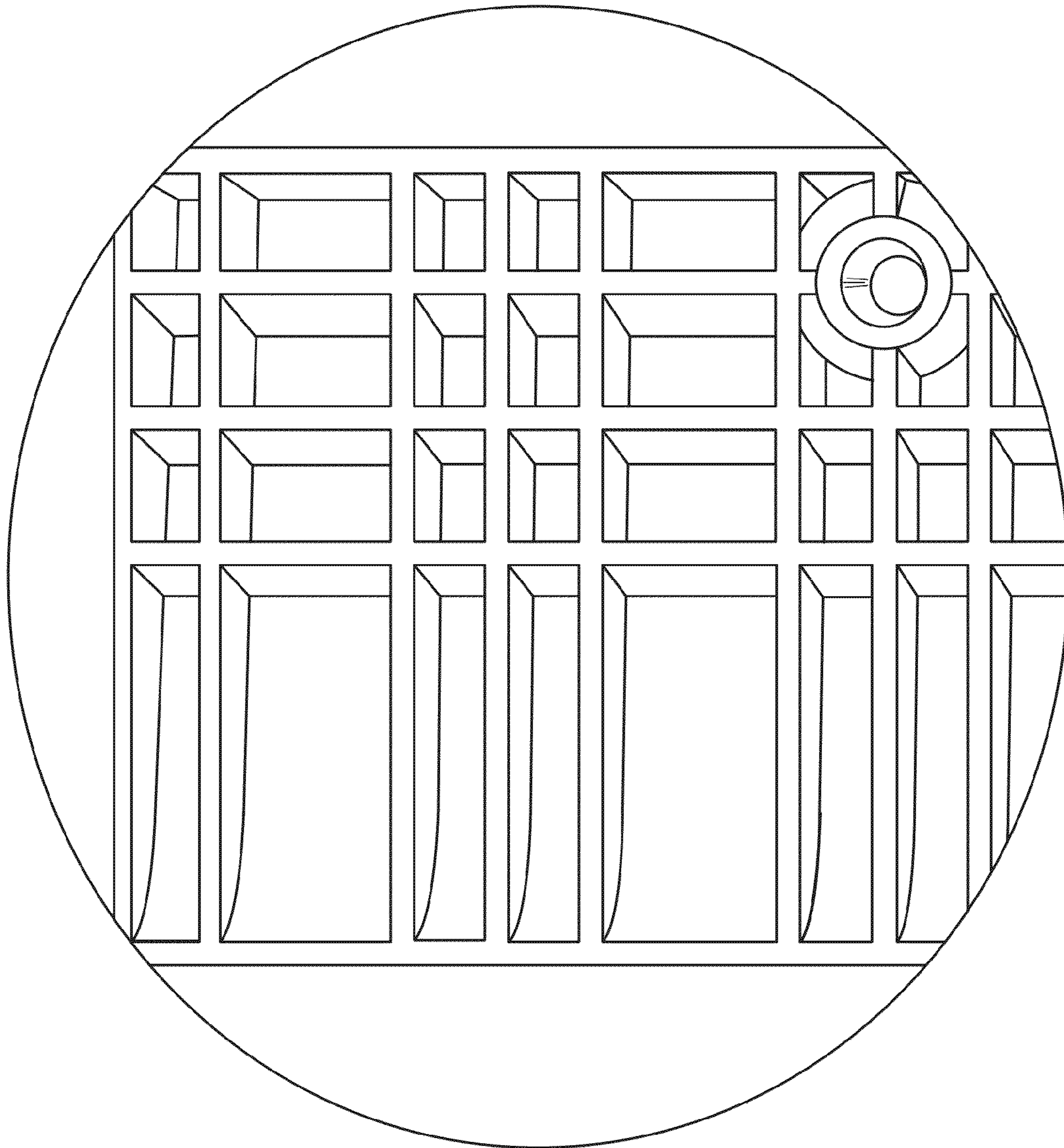


FIG. 3

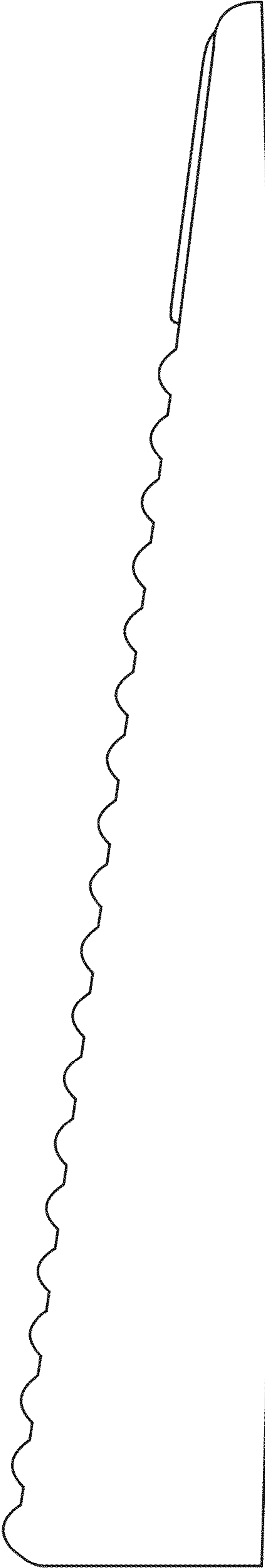


FIG. 4

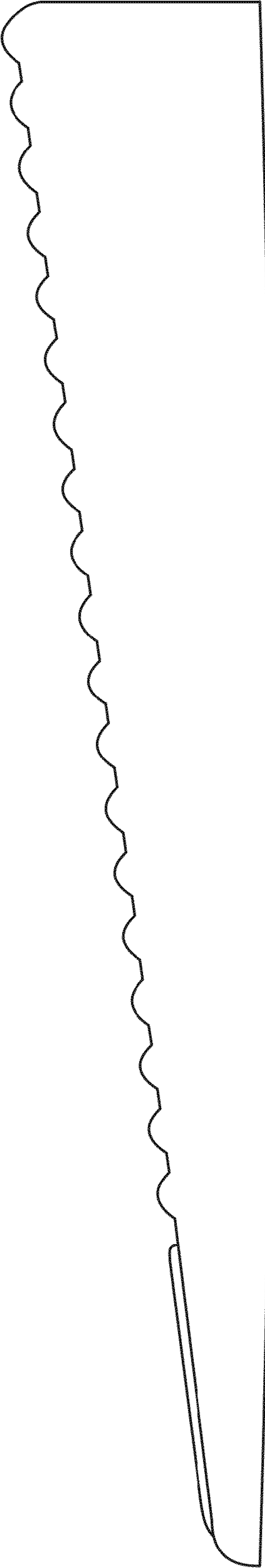


FIG. 5

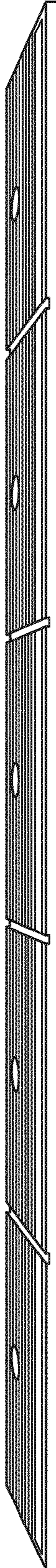


FIG. 6



FIG. 7

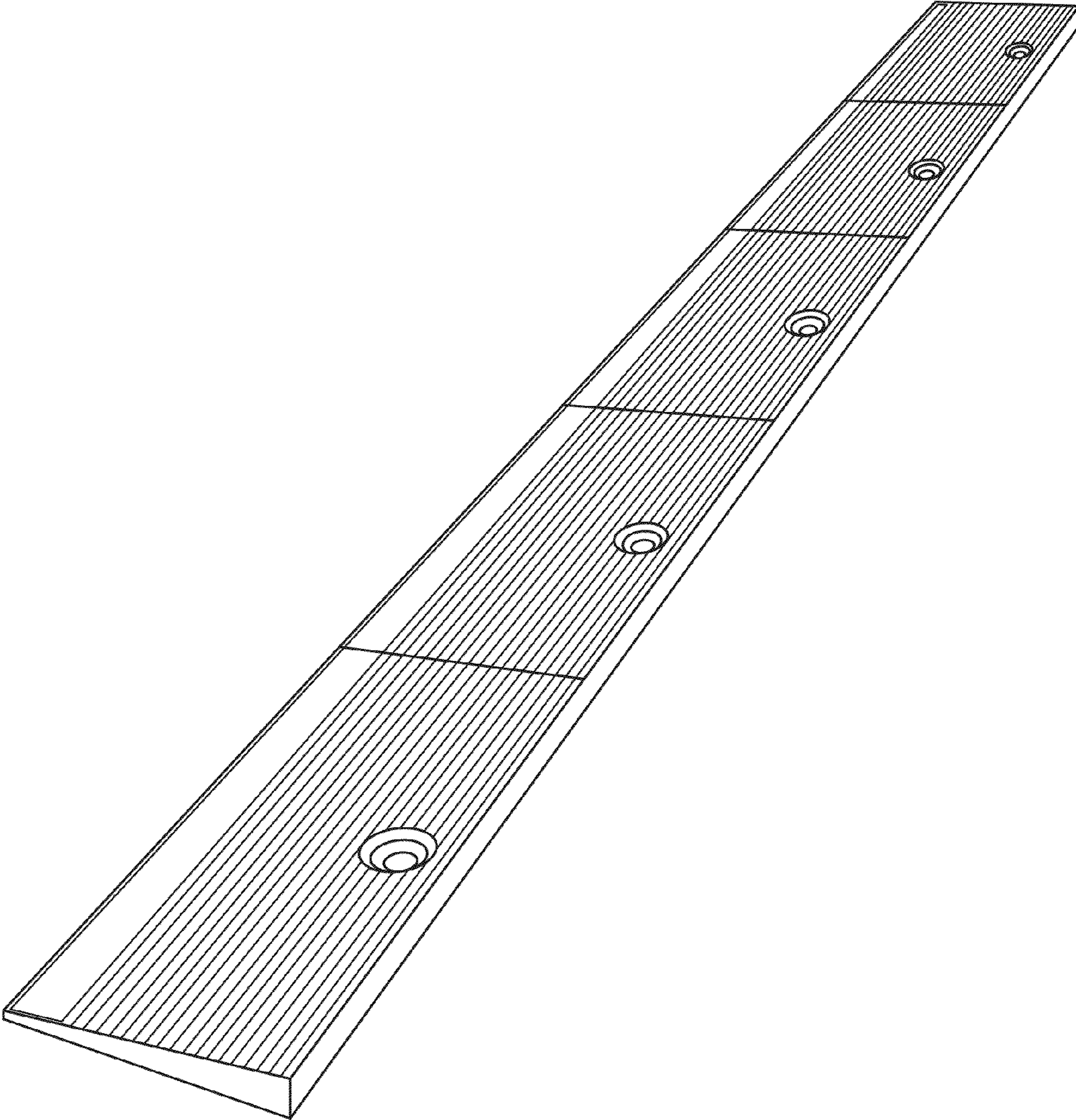


FIG. 8