



US00D722083S

(12) **United States Design Patent**
Soja

(10) **Patent No.:** **US D722,083 S**

(45) **Date of Patent:** **** Feb. 3, 2015**

(54) **COMBINED POSITIVE DISPLACEMENT
PUMP AND MOTOR**

D676,462 S * 2/2013 Soja D15/7
D677,282 S * 3/2013 Soja D15/7
D677,283 S * 3/2013 Soja D15/7

(71) Applicant: **Marc Johnson Soja**, Toronto (CA)

* cited by examiner

(72) Inventor: **Marc Johnson Soja**, Toronto (CA)

Primary Examiner — Ralf Seifert

(73) Assignee: **Marc Johnson Soja**, Toronto, Ontario
(CA)

(57) **CLAIM**

The ornamental design for a combined positive displacement pump and motor, as shown and described.

(**) Term: **14 Years**

DESCRIPTION

(21) Appl. No.: **29/476,983**

(22) Filed: **Dec. 18, 2013**

(51) **LOC (10) Cl.** **02-07**

(52) **U.S. Cl.**
USPC **D15/7**

(58) **Field of Classification Search**
USPC D15/7-9; D23/231, 232, 225;
417/410.1, 359, 415-416, 234, 321,
417/265, 405, 395

See application file for complete search history.

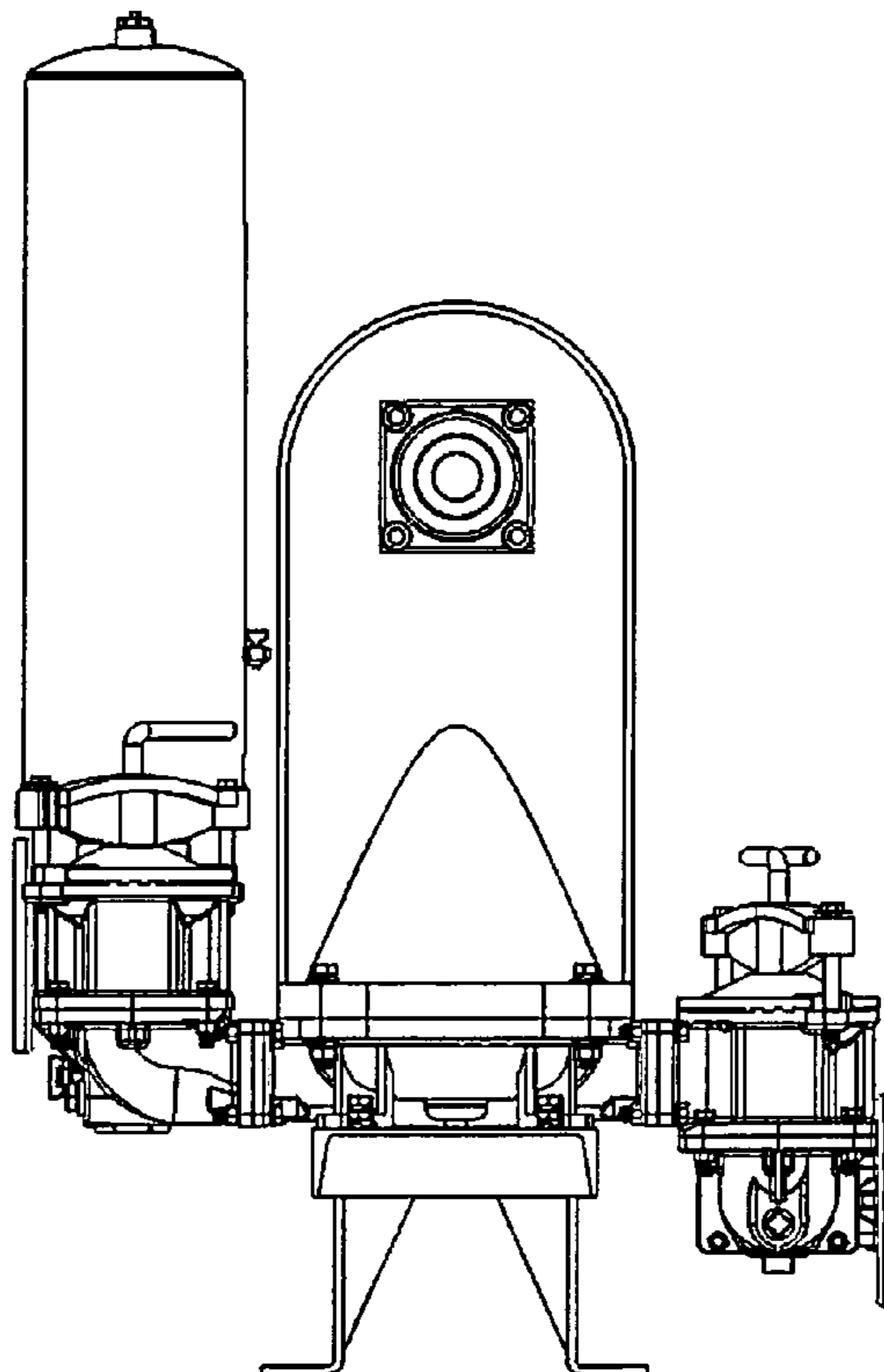
FIG. 1 is a front elevational view of a combined positive displacement pump and motor showing my new design;
FIG. 2 is a left side elevational view thereof;
FIG. 3 is a rear elevational view thereof;
FIG. 4 is a right side elevational view thereof;
FIG. 5 is a top plan view thereof;
FIG. 6 is a bottom plan view thereof;
FIG. 7 is a diagonal front perspective view seen from left side thereof;
FIG. 8 is a diagonal front perspective view seen from right side thereof;
FIG. 9 is a diagonal rear perspective view seen from right side thereof; and,
FIG. 10 is a diagonal rear perspective view seen from left side therefor.

(56) **References Cited**

U.S. PATENT DOCUMENTS

D591,310 S * 4/2009 Soja D15/7
D676,063 S * 2/2013 Soja D15/7

1 Claim, 10 Drawing Sheets



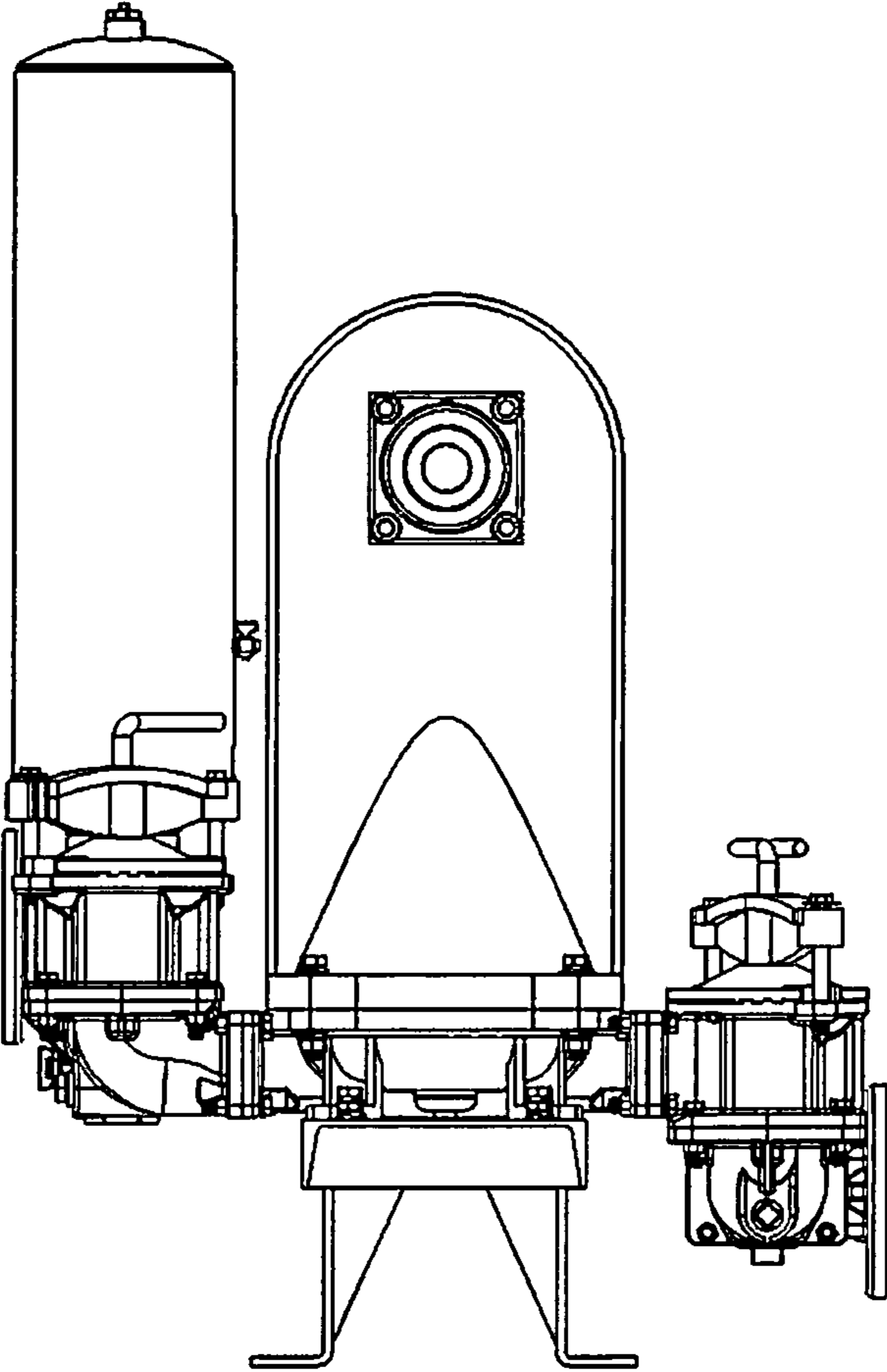


Fig. 1

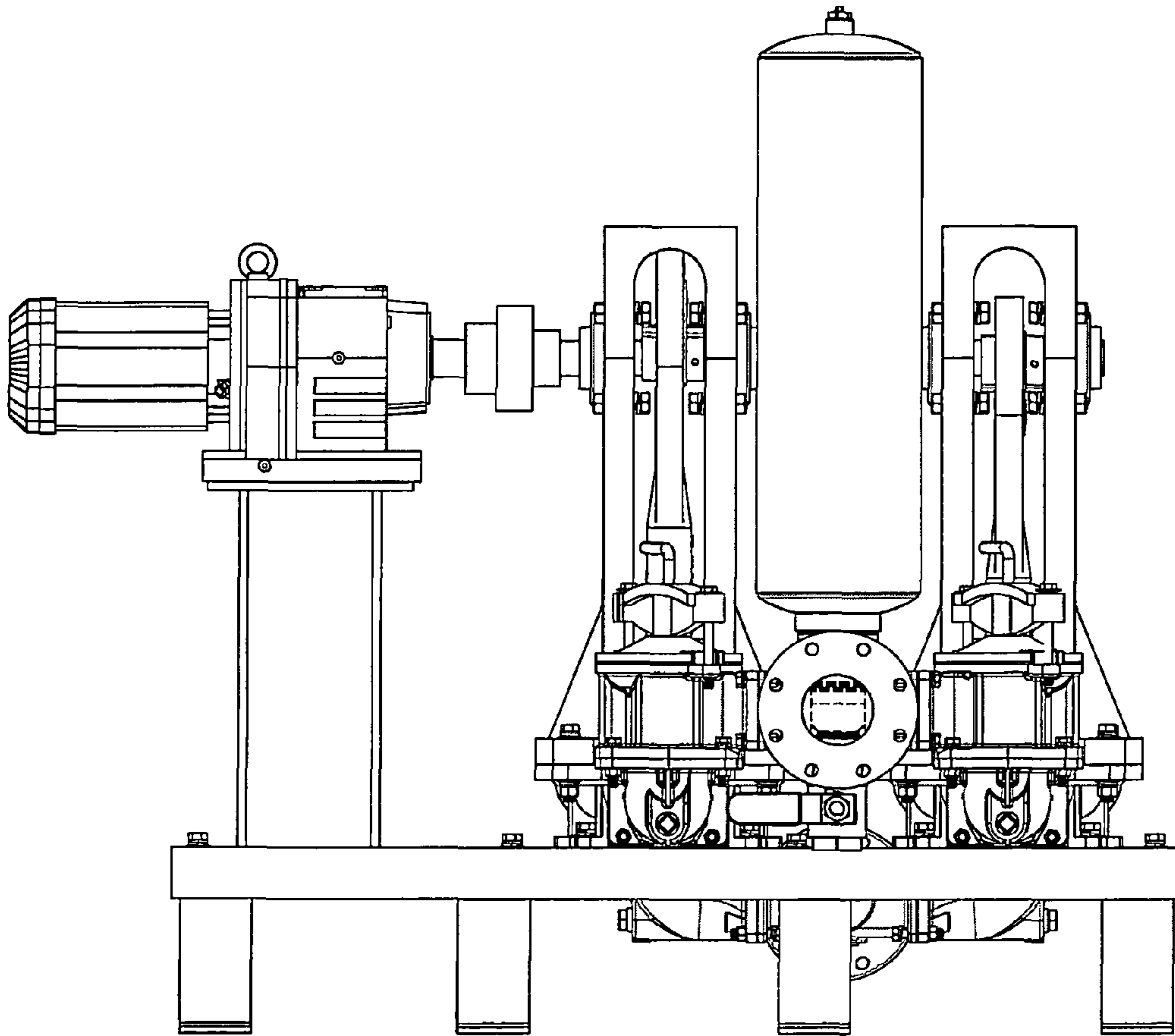


FIG.2

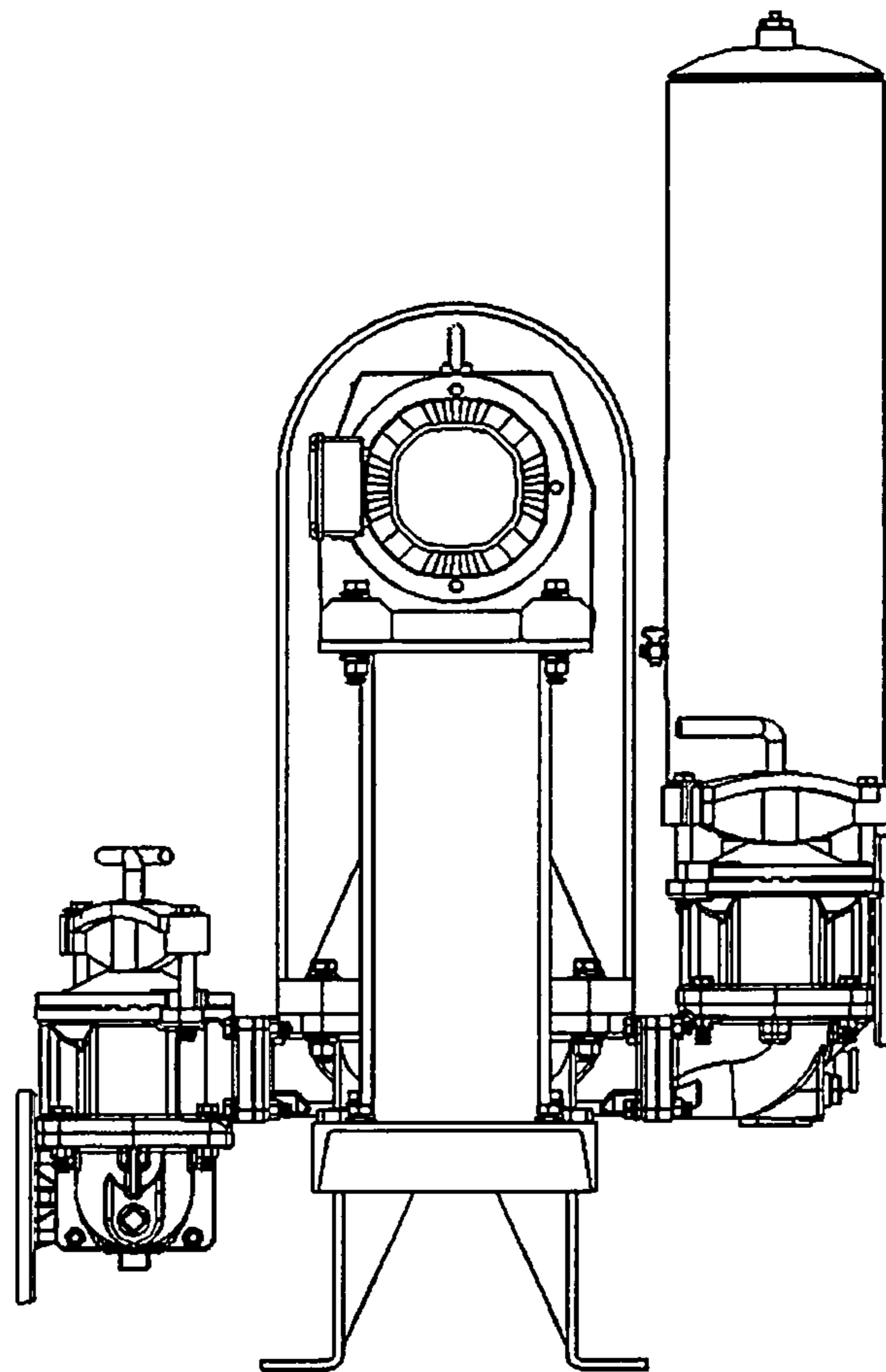


Fig. 3

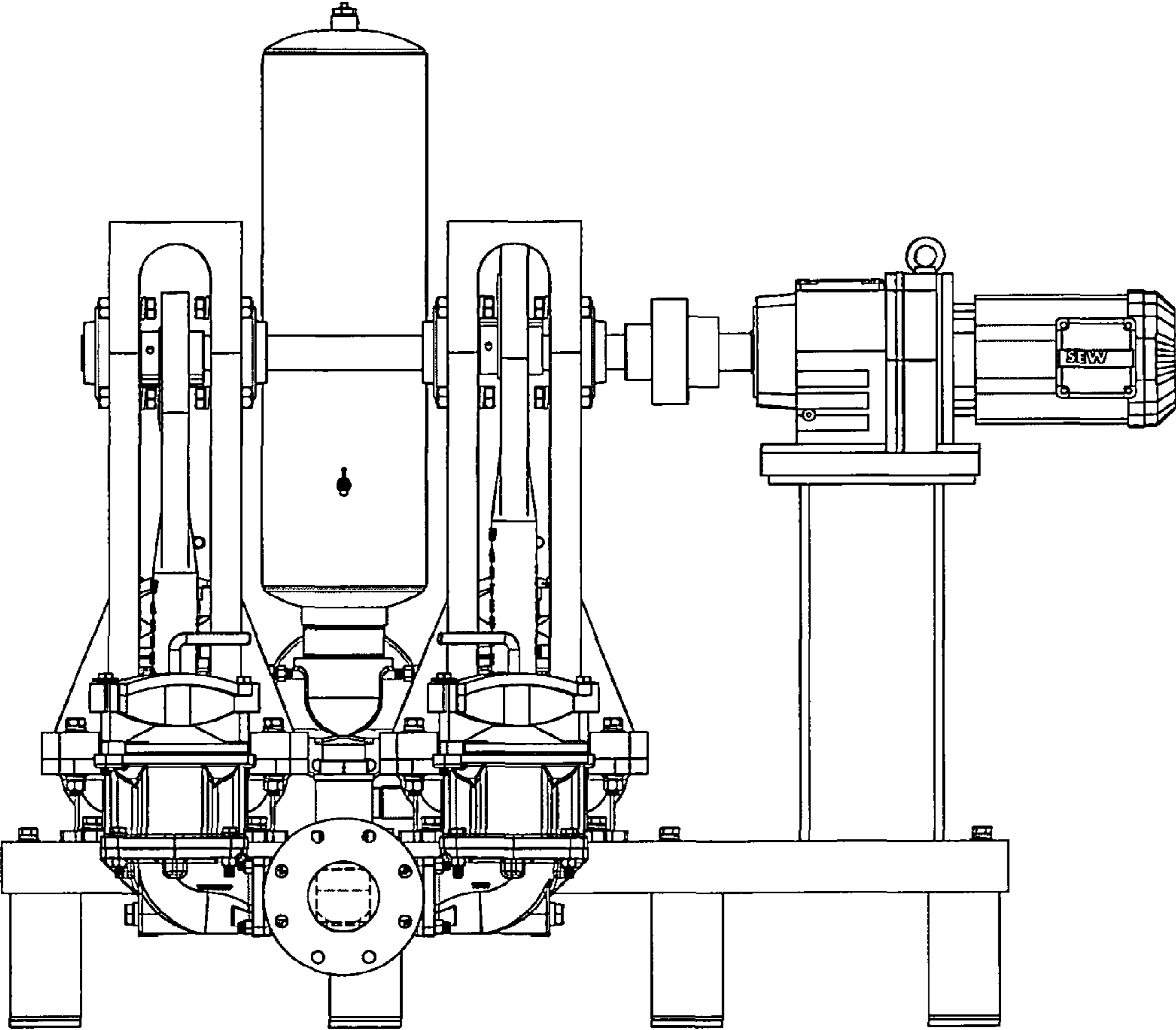


FIG.4

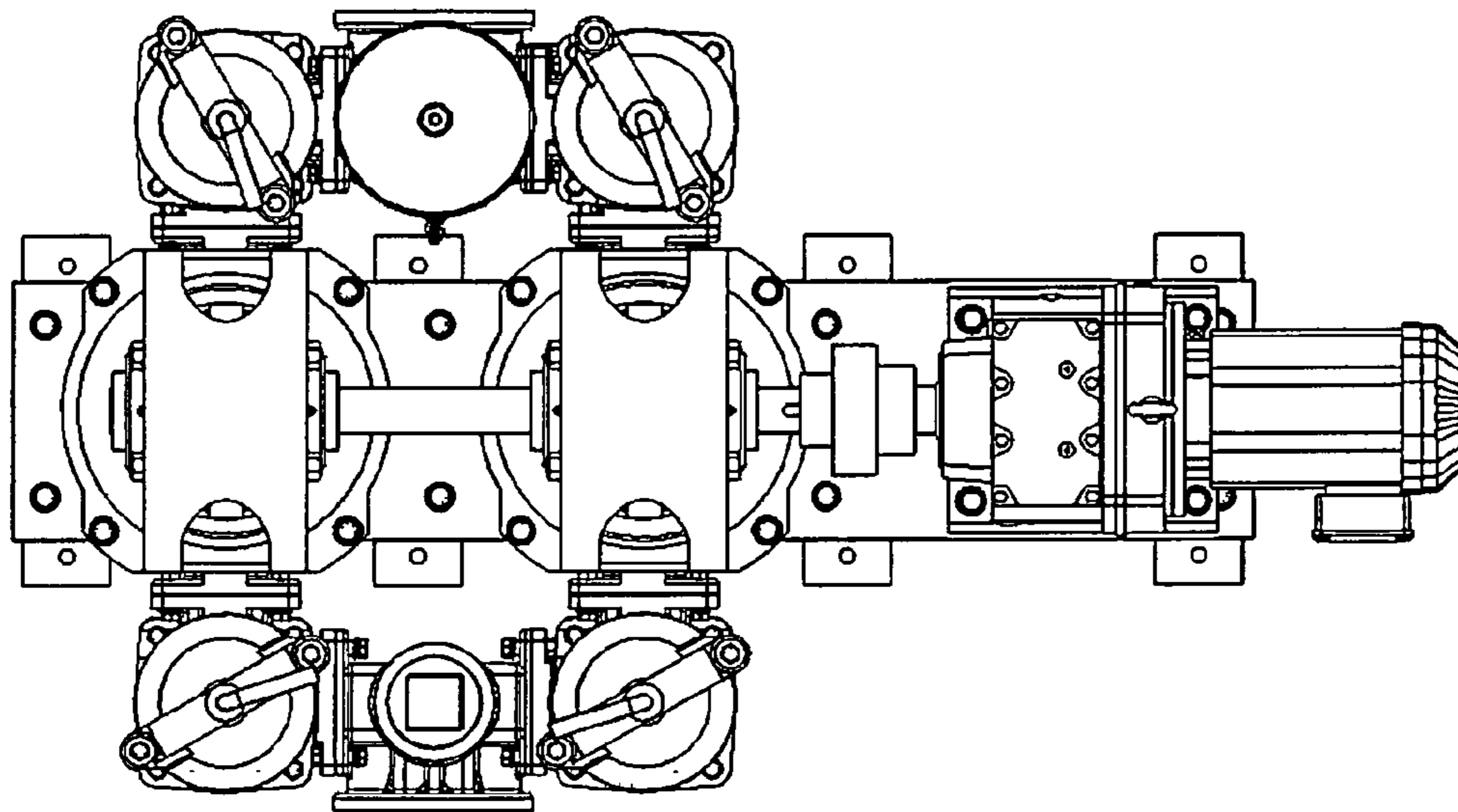


Fig. 5

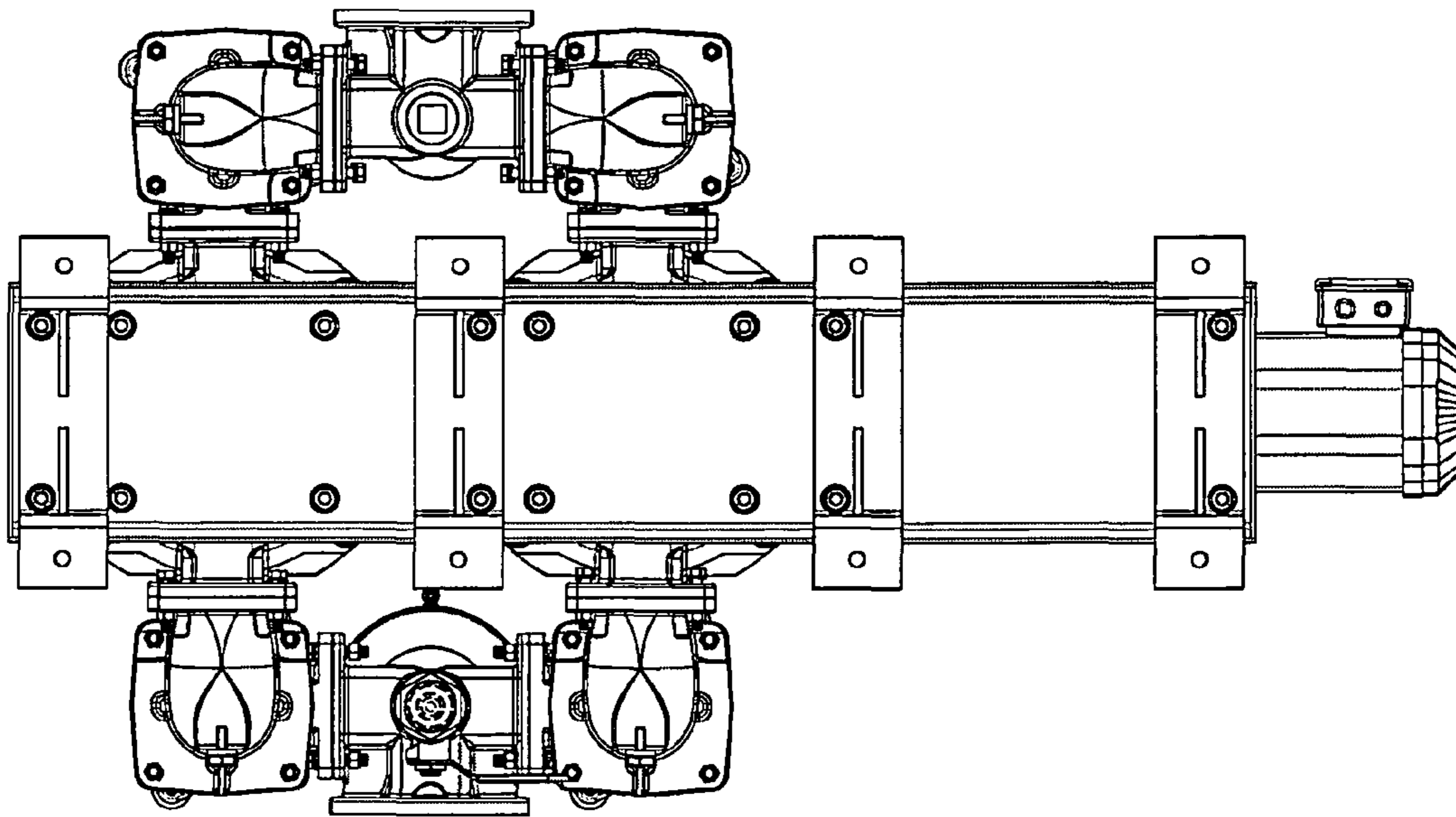


FIG.6

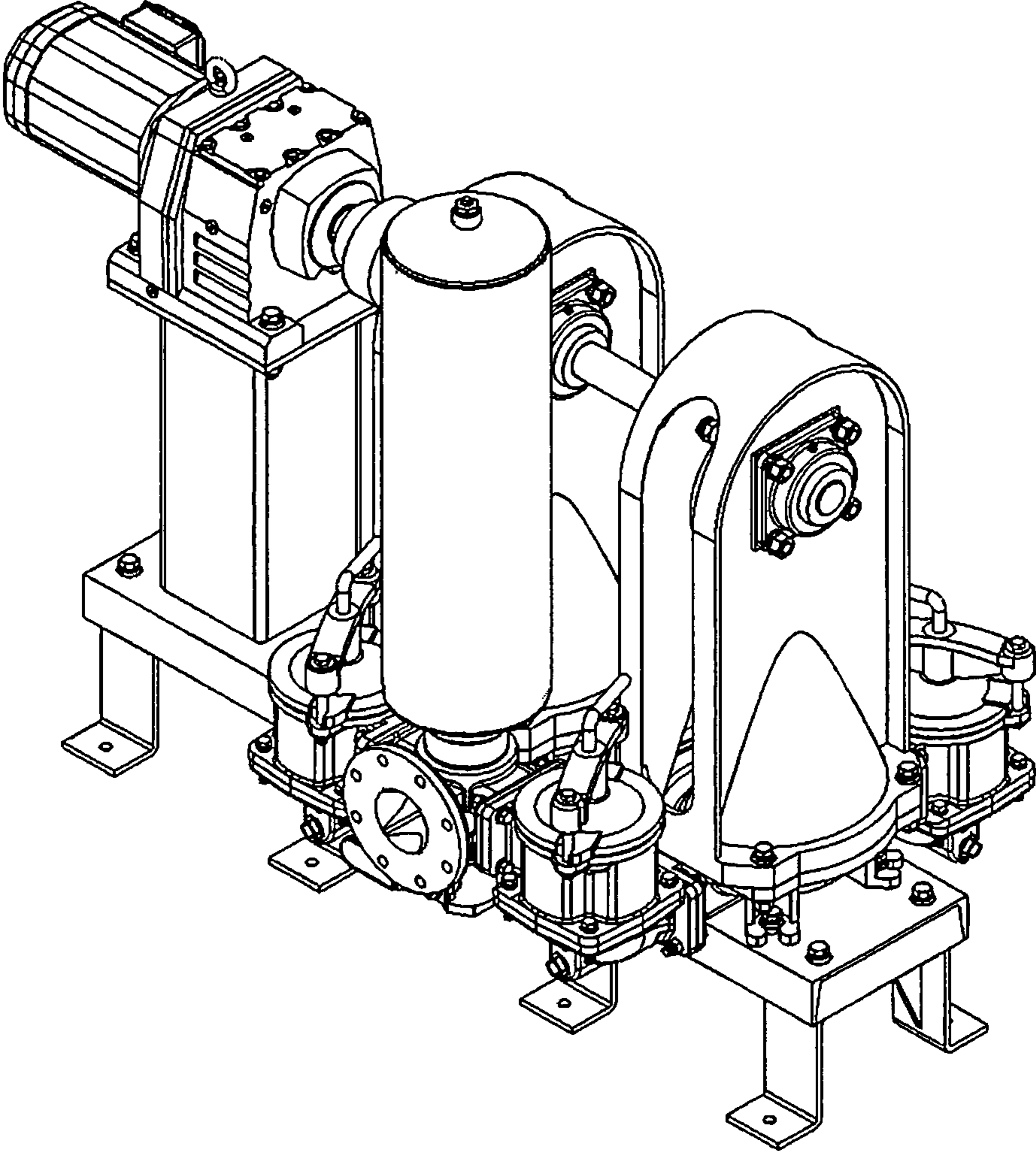


Fig. 7

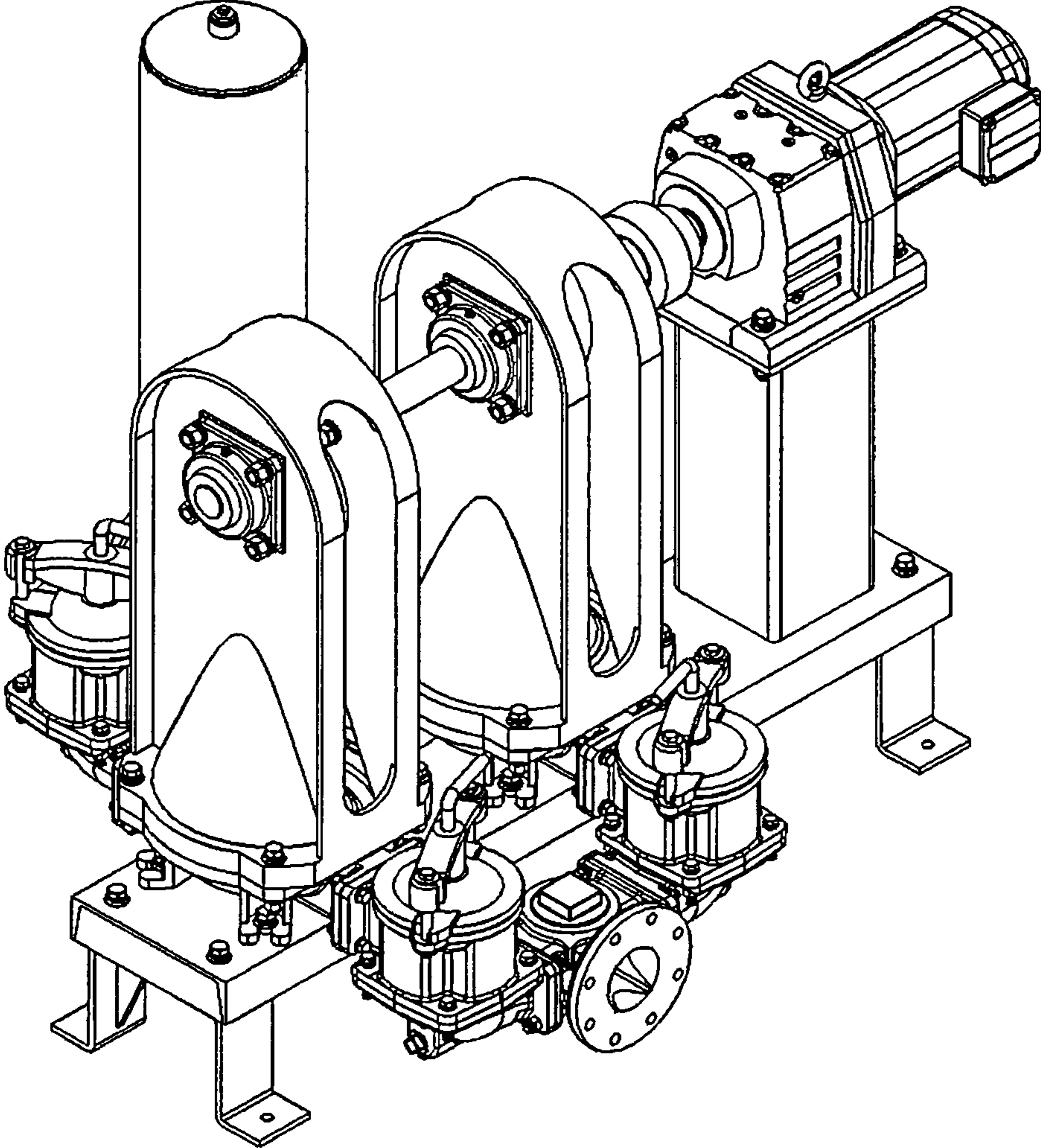


Fig. 8

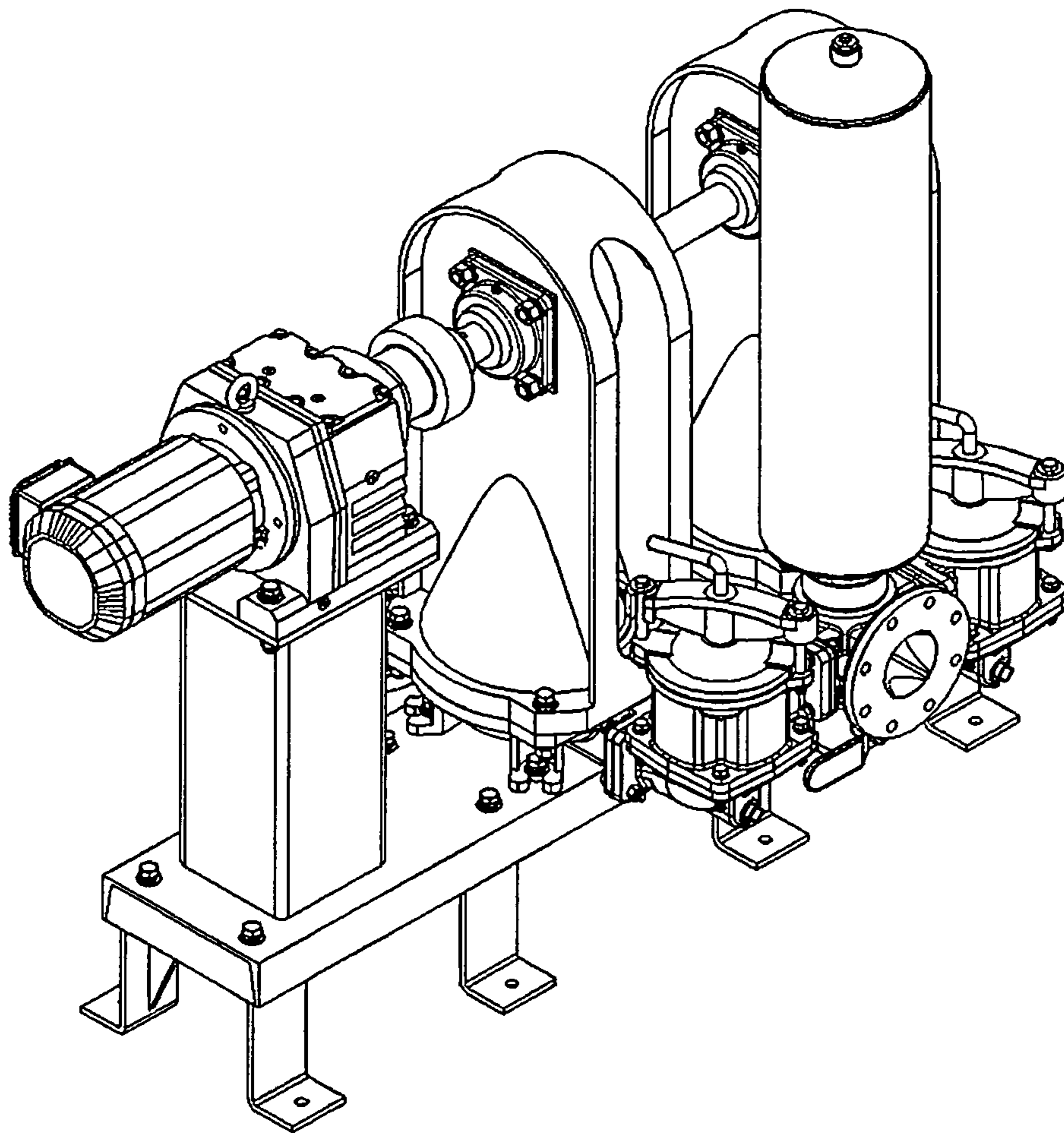


Fig. 9

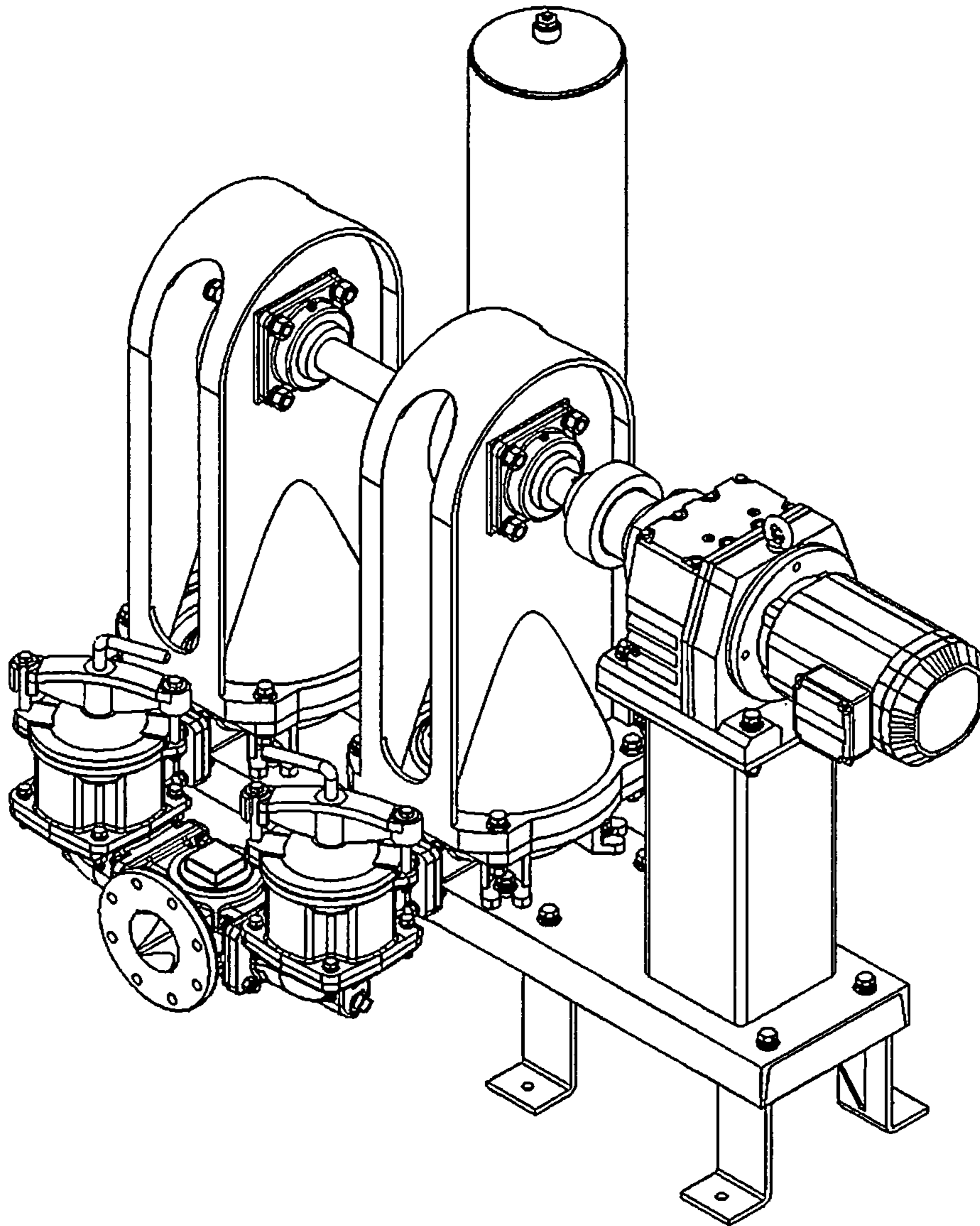


Fig. 10