



US00D722081S

(12) **United States Design Patent**
Gerber et al.

(10) **Patent No.:** **US D722,081 S**

(45) **Date of Patent:** **** Feb. 3, 2015**

(54) **DISPLAY SCREEN WITH GRAPHICAL USER INTERFACE FOR DIALYSIS**

(71) Applicant: **Medtronic, Inc.**, Minneapolis, MN (US)

(72) Inventors: **Martin T. Gerber**, Maple Grove, MN (US); **David B. Lura**, Maple Grove, MN (US); **Bryant J. Pudil**, Plymouth, MN (US); **Thomas E. Meyer**, Stillwater, MN (US); **Brian Mullins**, Minneapolis, MN (US)

(73) Assignee: **Medtronic, Inc.**, Minneapolis, MN (US)

(**) Term: **14 Years**

(21) Appl. No.: **29/446,286**

(22) Filed: **Feb. 21, 2013**

(51) **LOC (10) Cl.** **14-04**

(52) **U.S. Cl.**
USPC **D14/489**

(58) **Field of Classification Search**
CPC G06F 3/04817; A61M 1/14; A61M 1/16; A61M 1/28; A61M 1/30; A61M 1/32; A61M 2205/502
USPC D14/489, 492
See application file for complete search history.

(56) **References Cited**

U.S. PATENT DOCUMENTS

| | | | | |
|-----------|------|---------|------------------|----------|
| 5,481,741 | A * | 1/1996 | McKaskle et al. | 345/522 |
| D382,553 | S * | 8/1997 | Thomas | D14/489 |
| D418,498 | S * | 1/2000 | Leonard | D14/495 |
| D440,979 | S * | 4/2001 | Wang et al. | D14/489 |
| D451,520 | S * | 12/2001 | Fukuda | D14/485 |
| D454,355 | S * | 3/2002 | Yoshioka | D14/486 |
| D462,695 | S * | 9/2002 | Nguyen Van Huong | D14/485 |
| D473,566 | S * | 4/2003 | Platz et al. | D14/489 |
| D488,818 | S * | 4/2004 | Lee et al. | D14/489 |
| 6,773,412 | B2 * | 8/2004 | O'Mahony et al. | 604/5.01 |
| D501,484 | S * | 2/2005 | Platz et al. | D14/489 |

| | | | | |
|-----------|------|---------|------------------|---------|
| D589,969 | S * | 4/2009 | Shibata et al. | D14/486 |
| D589,977 | S * | 4/2009 | Okuyama | D14/489 |
| 7,535,336 | B2 * | 5/2009 | Willems et al. | 340/3.1 |
| D598,109 | S | 8/2009 | Collins et al. | |
| D609,350 | S | 2/2010 | Hickey et al. | |
| D613,411 | S | 4/2010 | Collins et al. | |
| D629,906 | S | 12/2010 | Hickey et al. | |
| D631,548 | S | 1/2011 | McGill et al. | |
| D637,293 | S | 5/2011 | Hickey et al. | |
| D639,930 | S | 6/2011 | Collins et al. | |
| D646,392 | S | 10/2011 | Collins et al. | |
| D650,063 | S | 12/2011 | Collins et al. | |
| D663,844 | S | 7/2012 | McGill et al. | |
| D664,255 | S | 7/2012 | Hickey et al. | |
| D664,660 | S | 7/2012 | Hickey et al. | |
| D675,727 | S | 2/2013 | Collins et al. | |
| D697,531 | S * | 1/2014 | Phelan | D14/489 |
| D705,258 | S * | 5/2014 | Gerssen et al. | D14/491 |
| D705,259 | S * | 5/2014 | Gerssen et al. | D14/491 |
| D706,290 | S * | 6/2014 | Hartley et al. | D14/489 |
| D710,372 | S * | 8/2014 | Dellinger et al. | D14/486 |
| D715,321 | S * | 10/2014 | Mairs et al. | D14/489 |

* cited by examiner

Primary Examiner — Karen E Kearney

(74) *Attorney, Agent, or Firm* — Hahn & Voight PLLC; Roger C. Hahn; Kenneth J. Collier

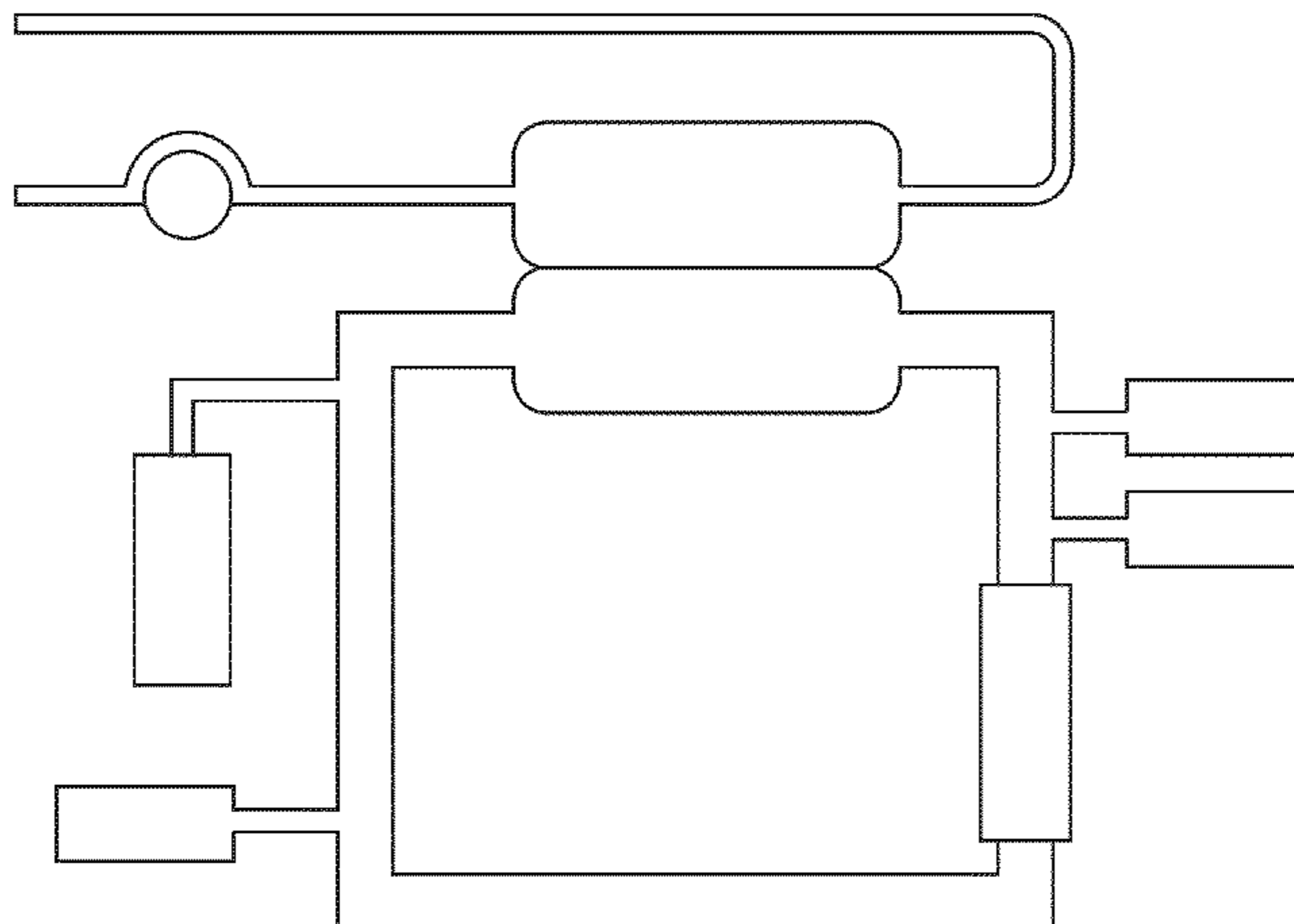
(57) **CLAIM**

We claim the ornamental design for a display screen with graphical user interface for dialysis, as shown and described.

DESCRIPTION

FIG. 1 is a perspective view of a display screen with graphical user interface for dialysis showing our new design; FIG. 2 is a front view thereof, shown enlarged and separately for clarity of illustration; and, FIG. 3 is a perspective view thereof, shown in the context of different environment. The broken line showings of the mobile device in FIG. 1 and the console in FIG. 3 are included for the purpose of illustrating environmental structure and form no part of the claimed design.

1 Claim, 2 Drawing Sheets



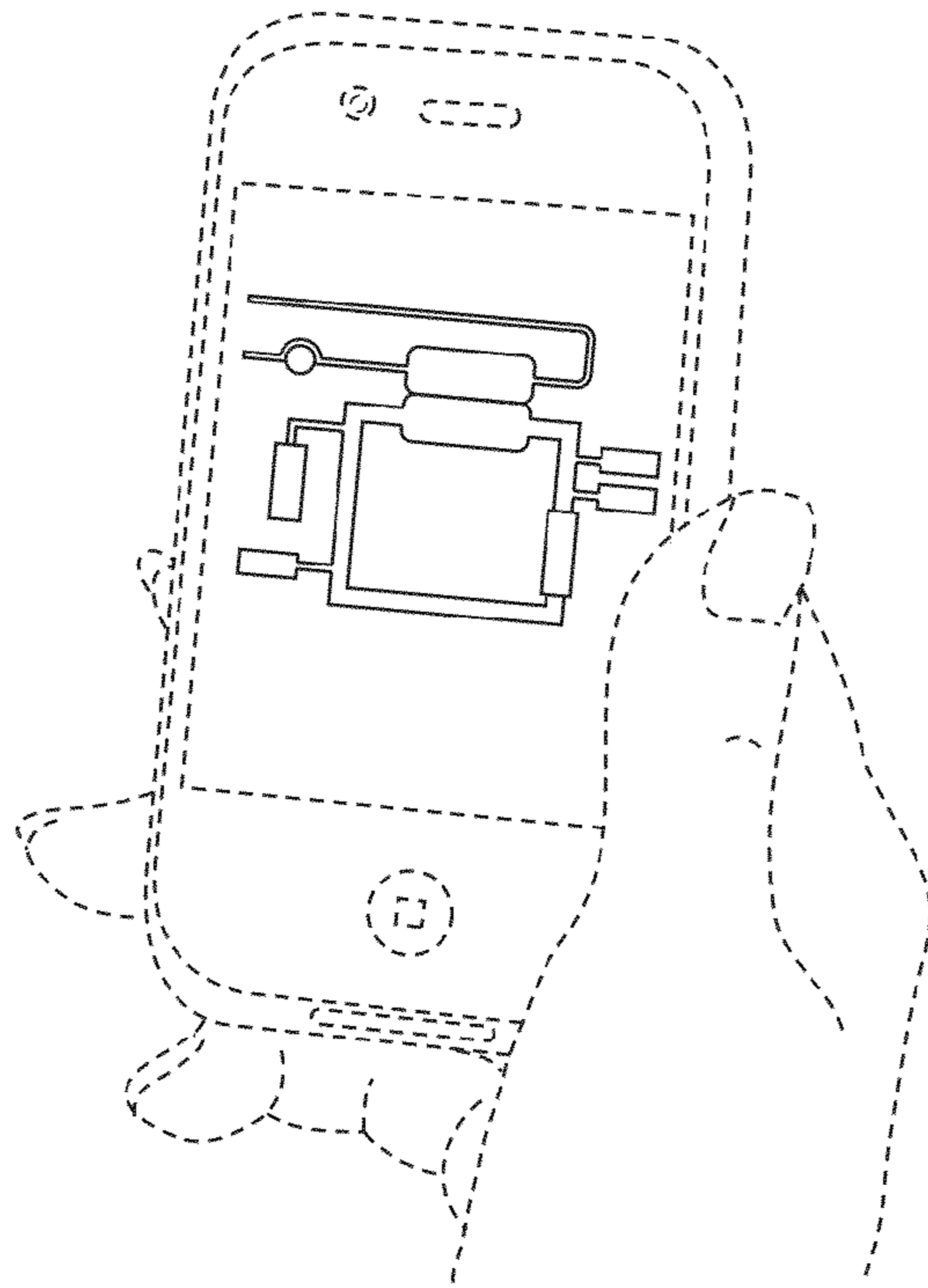


FIG. 1

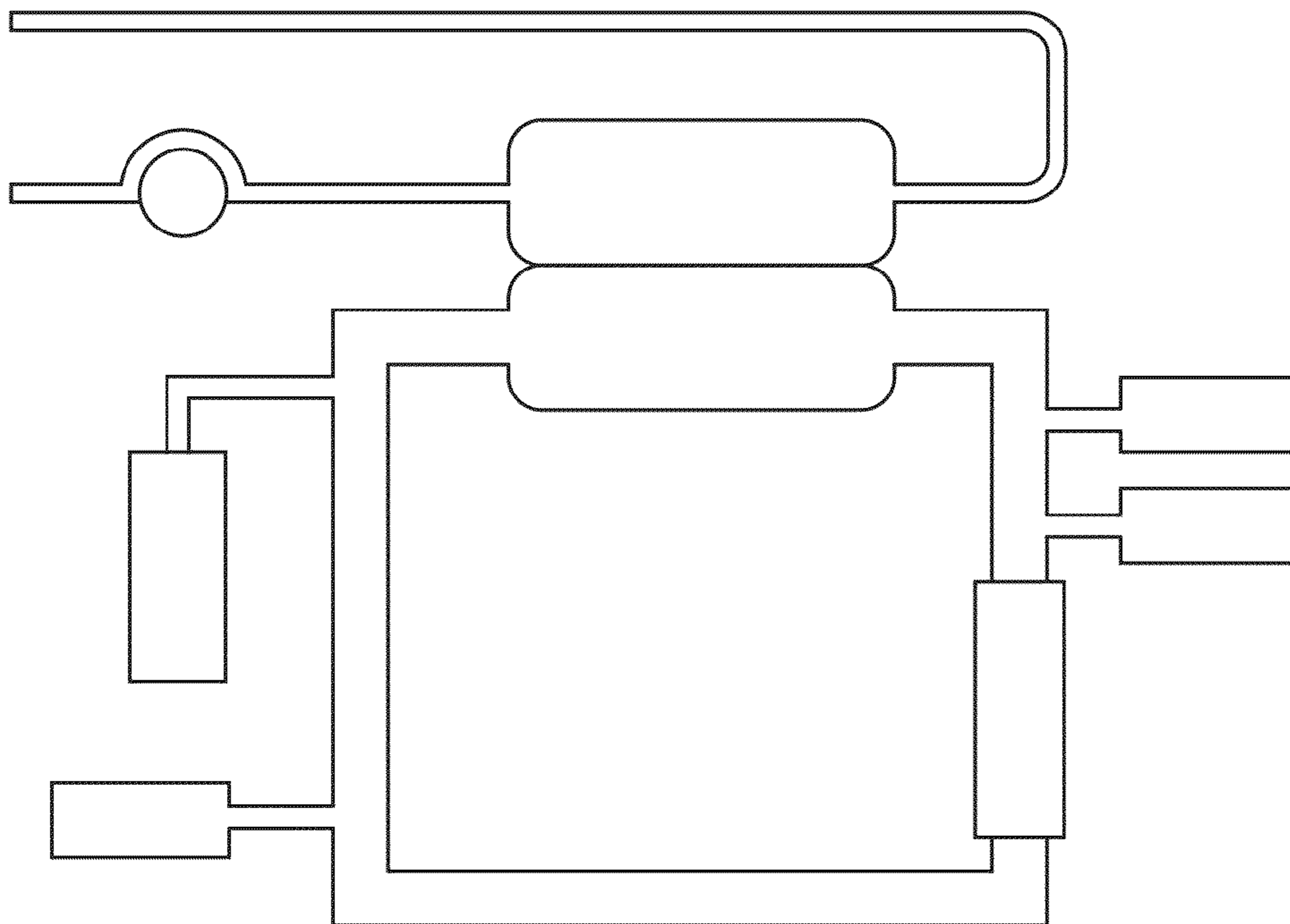


FIG. 2

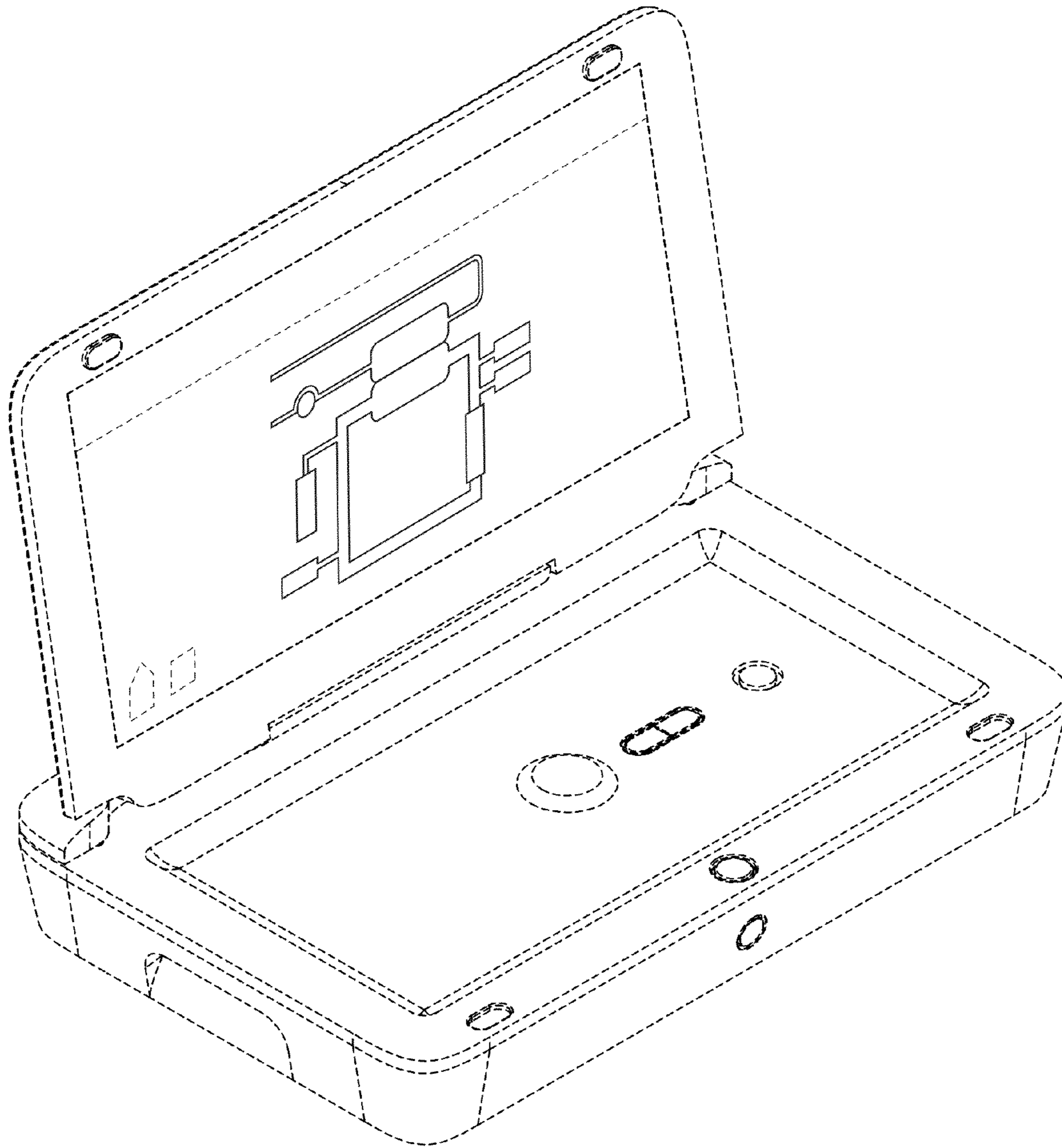


FIG. 3