



US00D722080S

(12) **United States Design Patent**  
**Sano et al.**

(10) **Patent No.:** **US D722,080 S**

(45) **Date of Patent:** **\*\* Feb. 3, 2015**

(54) **PORTION OF DISPLAY PANEL OR SCREEN WITH AN ICON**

(74) *Attorney, Agent, or Firm* — Rader, Fishman & Grauer PLLC

(75) Inventors: **Tetsurou Sano**, Tokyo (JP); **Nobuhiro Jogano**, Tokyo (JP)

(57) **CLAIM**

The ornamental design for a portion of a display panel or screen with an icon, as shown and described.

(73) Assignee: **Sony Corporation**, Tokyo (JP)

(\*\*) Term: **14 Years**

**DESCRIPTION**

(21) Appl. No.: **29/371,810**

The patent or application file contains at least one drawing executed in color. Copies of this patent or patent application publication with color drawing(s) will be provided by the Office upon request and payment of the necessary fee.

(22) Filed: **Oct. 12, 2011**

(51) **LOC (10) Cl.** ..... **14-04**

(52) **U.S. Cl.**  
USPC ..... **D14/489**

(58) **Field of Classification Search**  
USPC ..... D14/485–495; 715/236, 277, 839, 838  
See application file for complete search history.

FIG. 1 is a front view of a first embodiment of a portion of a display panel or screen with an icon showing our new design; FIG. 2 is a front view of a second embodiment of a portion of a display panel or screen with an icon showing our new design;

(56) **References Cited**

**U.S. PATENT DOCUMENTS**

5,202,828	A *	4/1993	Vertelney et al.	.....	715/236
D406,123	S	2/1999	Hodgson		
D424,543	S	5/2000	Hodgson		
D453,937	S	2/2002	Wasko et al.		
D469,444	S	1/2003	Ording et al.		
D521,521	S *	5/2006	Jewitt et al.	.....	D14/487
D523,442	S	6/2006	Hiramatsu		
D637,201	S	5/2011	Wasko et al.		
D638,441	S	5/2011	Ording et al.		
D650,796	S *	12/2011	Rincover et al.	.....	D14/492
D676,868	S *	2/2013	Wagner	.....	D14/489
D683,360	S *	5/2013	Phelan et al.	.....	D14/491
D686,247	S *	7/2013	McKinley et al.	.....	D14/492
2009/0207254	A1 *	8/2009	Tomat et al.	.....	348/207.1

FIG. 3 is a front view of a third embodiment of a portion of a display panel or screen with an icon showing our new design; FIG. 4 is a front view of a fourth embodiment of a portion of a display panel or screen with an icon showing our new design;

FIG. 5 is a front view of a fifth embodiment of a portion of a display panel or screen with an icon showing our new design; and,

FIG. 6 is a front view of a sixth embodiment of a portion of a display panel or screen with an icon showing our new design. The evenly-spaced broken lines illustrate unclaimed portions of the design and form no part of the claimed design. The single dot-dash broken lines define boundaries of, and are not included in the claimed design. The double dot-dash broken lines in each figure show a portion of a display panel or screen and define the boundaries thereof, but not included in, the claimed design.

\* cited by examiner

*Primary Examiner* — Eric Goodman  
*Assistant Examiner* — John Reickel

**1 Claim, 3 Drawing Sheets**  
**(2 of 3 Drawing Sheet(s) Filed in Color)**

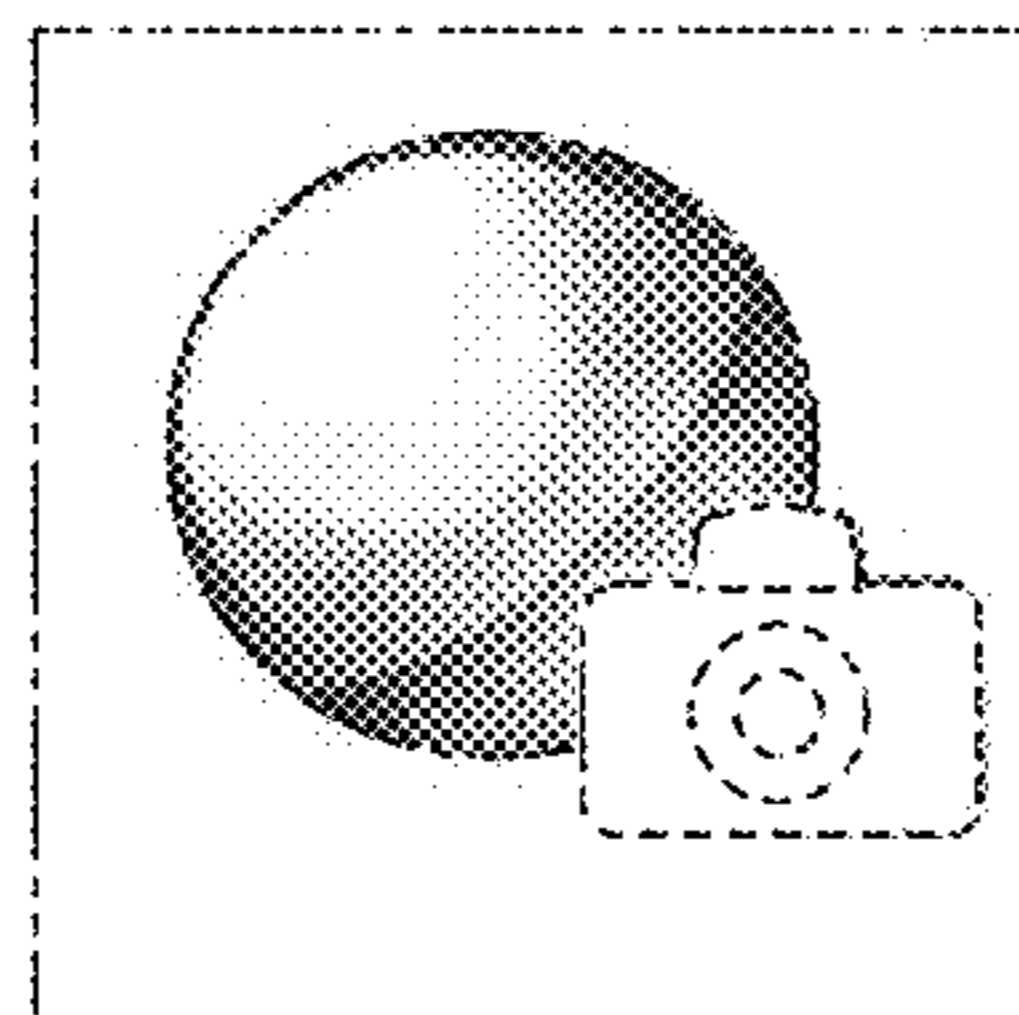
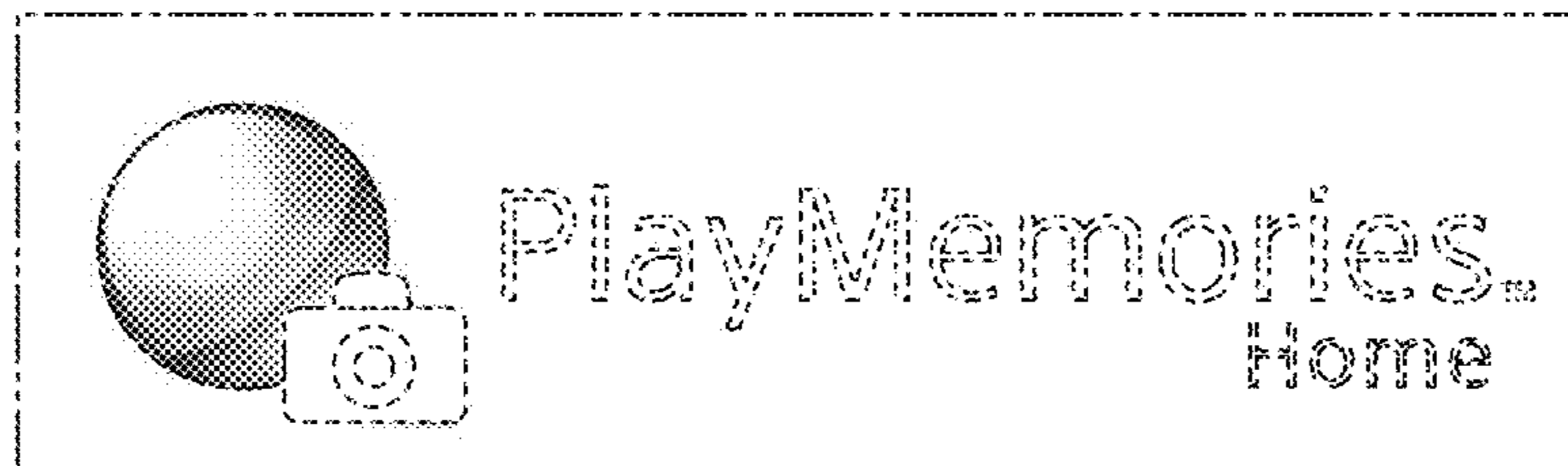


FIG.1

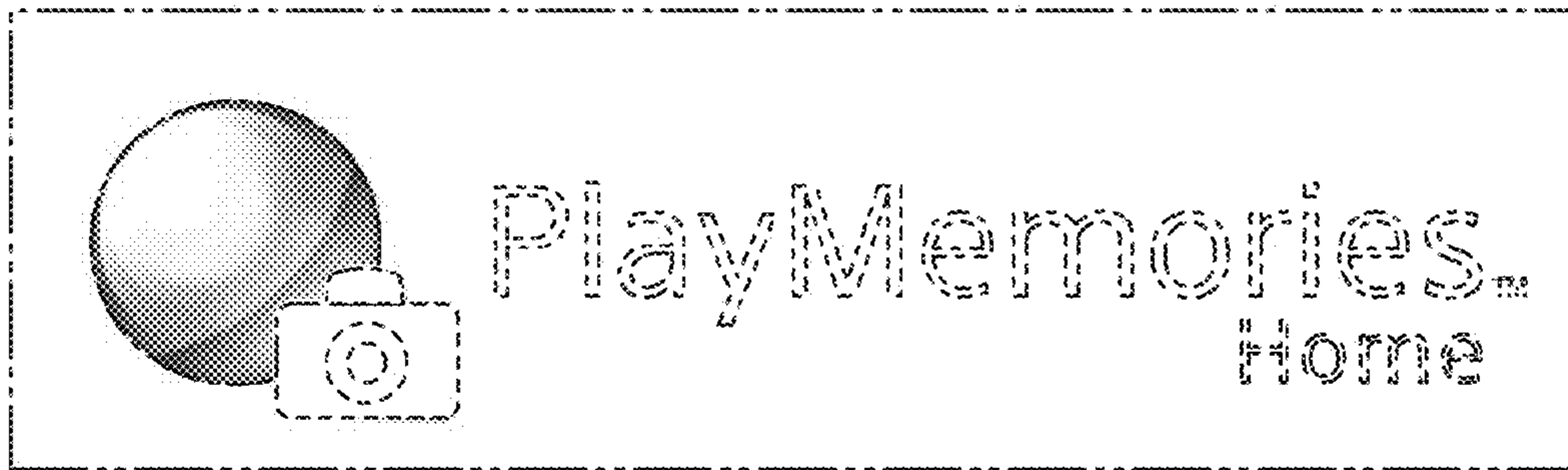


FIG.2

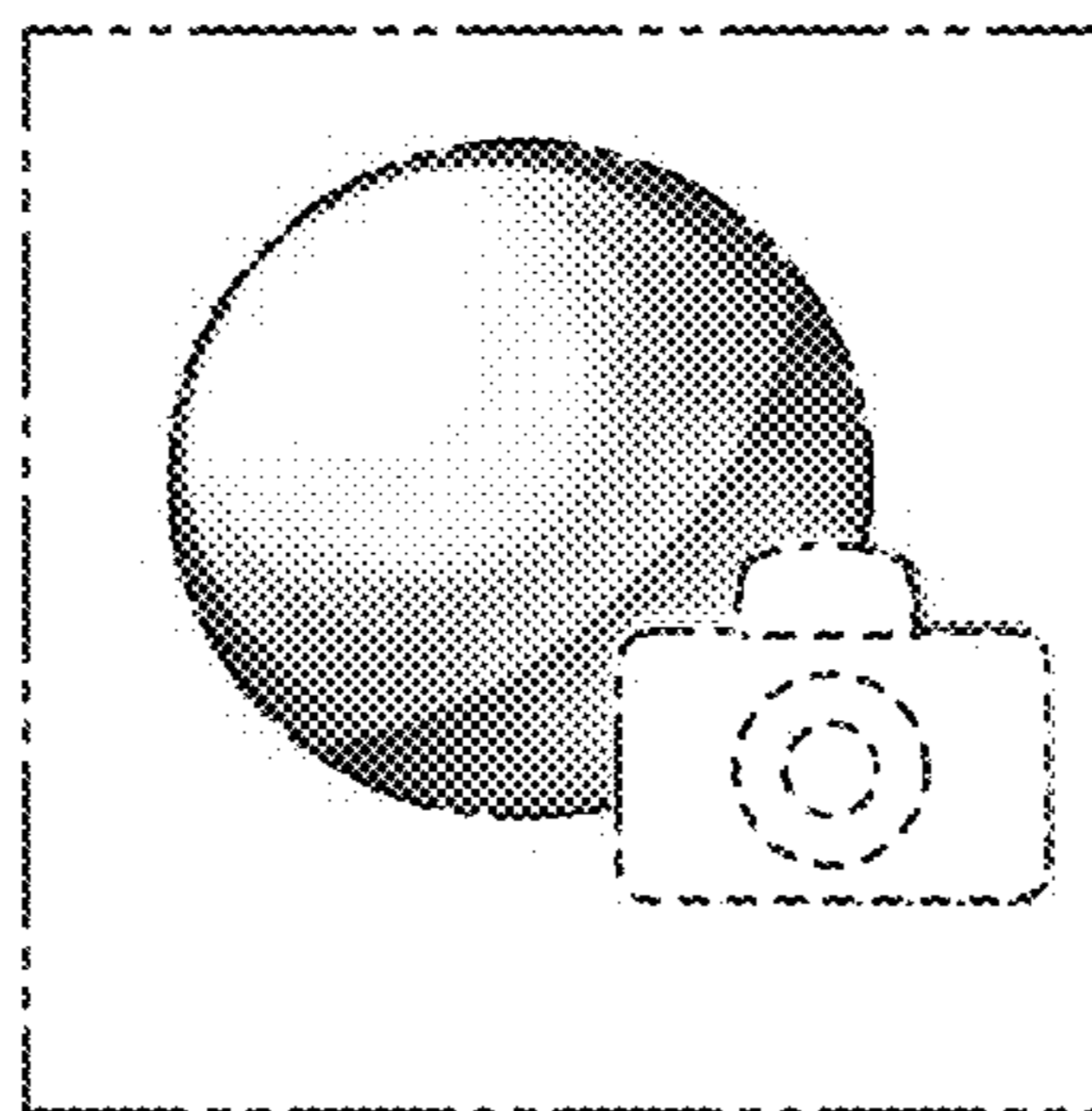


FIG.3

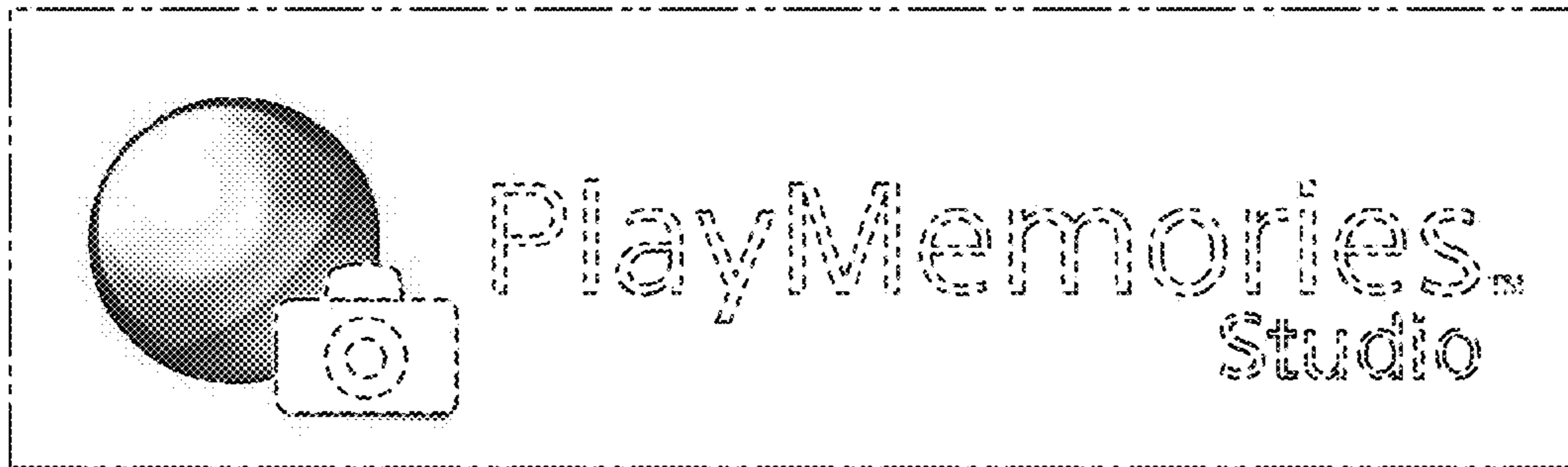


FIG.4

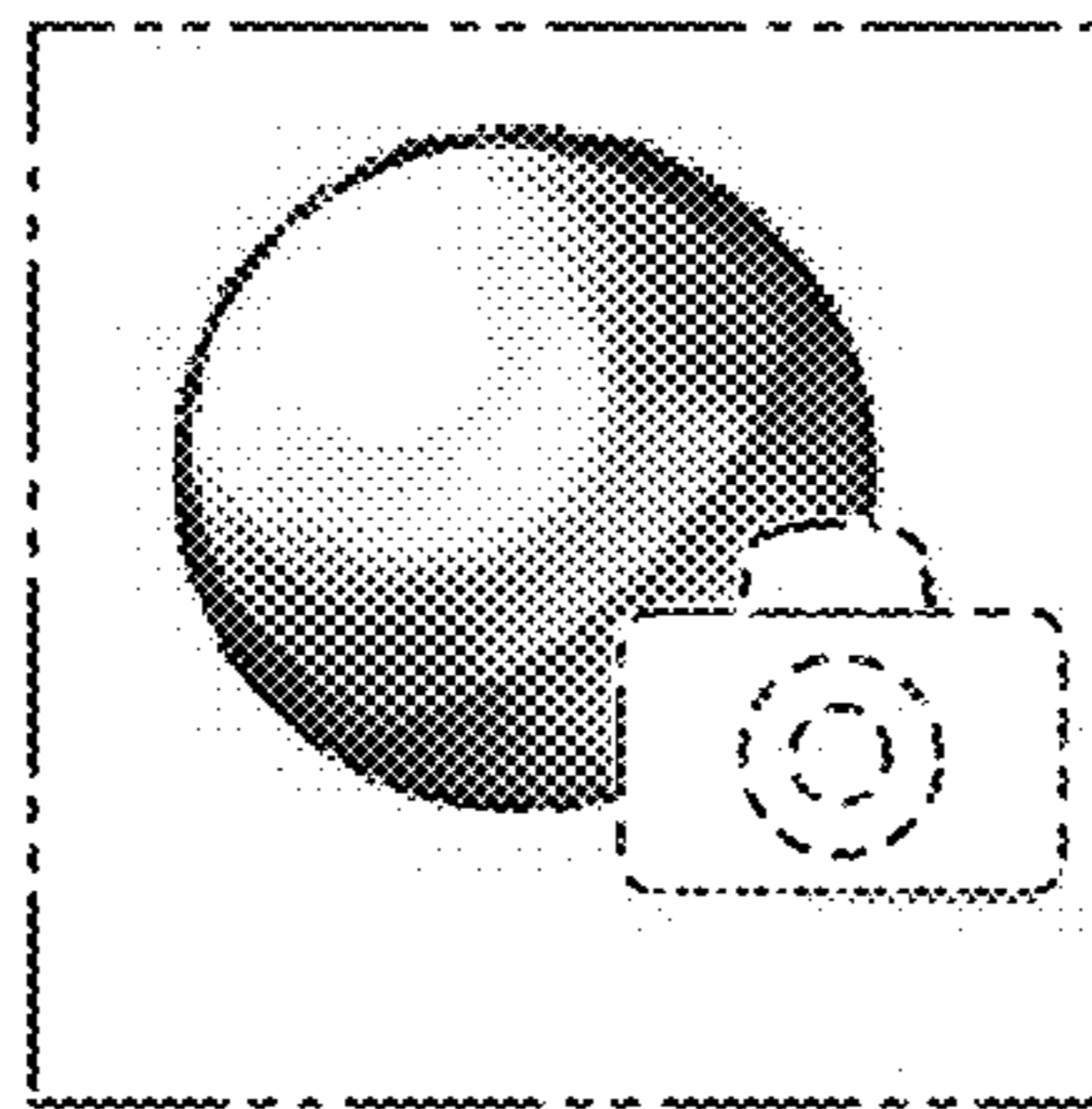


FIG.5

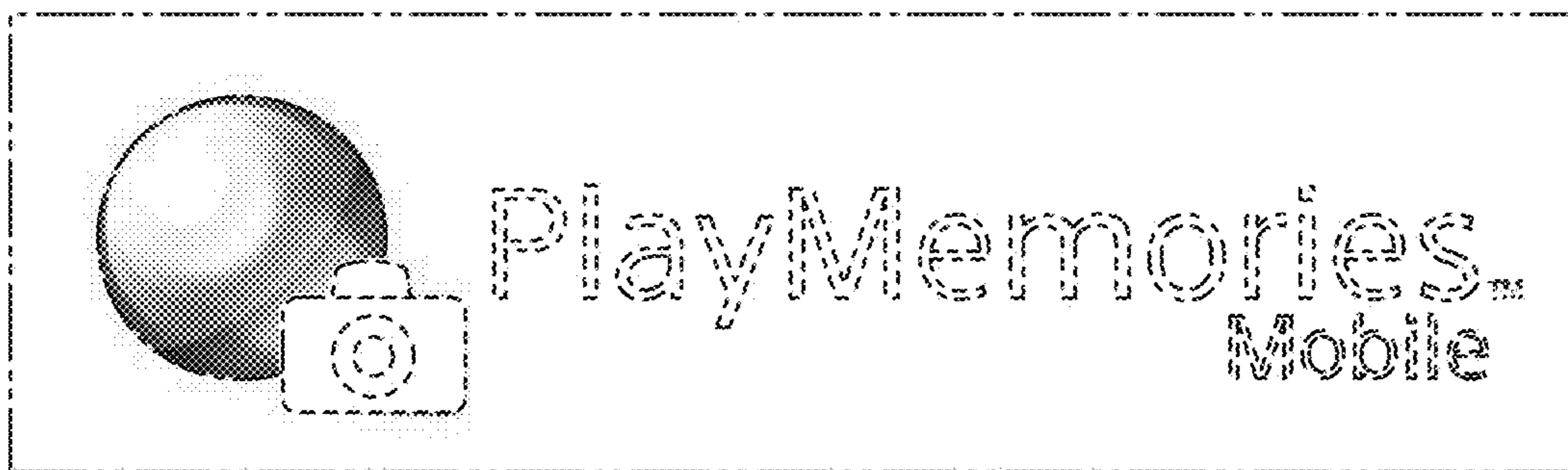


FIG.6

