



US00D722079S

(12) **United States Design Patent**
Charlès et al.

(10) **Patent No.:** **US D722,079 S**
(45) **Date of Patent:** **** Feb. 3, 2015**

(54) **TRANSITIONAL IMAGE FOR A PORTION OF A DISPLAY SCREEN**

(75) Inventors: **Bernard Charlès**, Velizy Villacoublay (FR); **Monica Menghini**, Velizy Villacoublay (FR); **Joel Guerineau**, Velizy Villacoublay (FR); **Karine Pujol**, Velizy Villacoublay (FR); **Benoit Cerrina**, Velizy Villacoublay (FR); **Sébastien Rosel**, Velizy Villacoublay (FR)

(73) Assignee: **Dassault Systemes**, Velizy Villacoublay (FR)

(**) Term: **14 Years**

(21) Appl. No.: **29/424,818**

(22) Filed: **Jun. 15, 2012**

(51) **LOC (10) Cl.** **14-04**

(52) **U.S. Cl.**
USPC **D14/488**

(58) **Field of Classification Search**
USPC D14/485–495; 715/700–866
See application file for complete search history.

(56) **References Cited**

U.S. PATENT DOCUMENTS

D437,858 S	2/2001	Yasui et al.	
D453,767 S	2/2002	Istvan et al.	
D453,936 S	2/2002	Istvan et al.	
6,448,987 B1 *	9/2002	Easty et al.	715/834
D468,748 S	1/2003	Inagaki	
D469,104 S	1/2003	Istvan et al.	
D473,151 S *	4/2003	Shaland et al.	D10/103
7,180,524 B1 *	2/2007	Axelrod	345/593
D538,296 S	3/2007	Sadler et al.	
D542,806 S	5/2007	Sadler et al.	
D550,235 S	9/2007	Armendariz	

D550,689 S	9/2007	Vigesaa	
D566,722 S *	4/2008	Jackson	D14/489
D570,862 S	6/2008	Sadler et al.	
D570,867 S	6/2008	Sadler et al.	
D576,170 S	9/2008	Sadler et al.	
D602,033 S	10/2009	Vu et al.	
D614,192 S *	4/2010	Takano et al.	D14/486
D617,804 S	6/2010	Hirsch	
D630,647 S *	1/2011	Wilson	D14/487
D635,987 S *	4/2011	Mays et al.	D14/487
7,992,102 B1 *	8/2011	De Angelo	715/834

(Continued)

Primary Examiner — Eric Goodman

Assistant Examiner — John Reickel

(74) *Attorney, Agent, or Firm* — Hamilton, Brook, Smith & Reynolds, P.C.

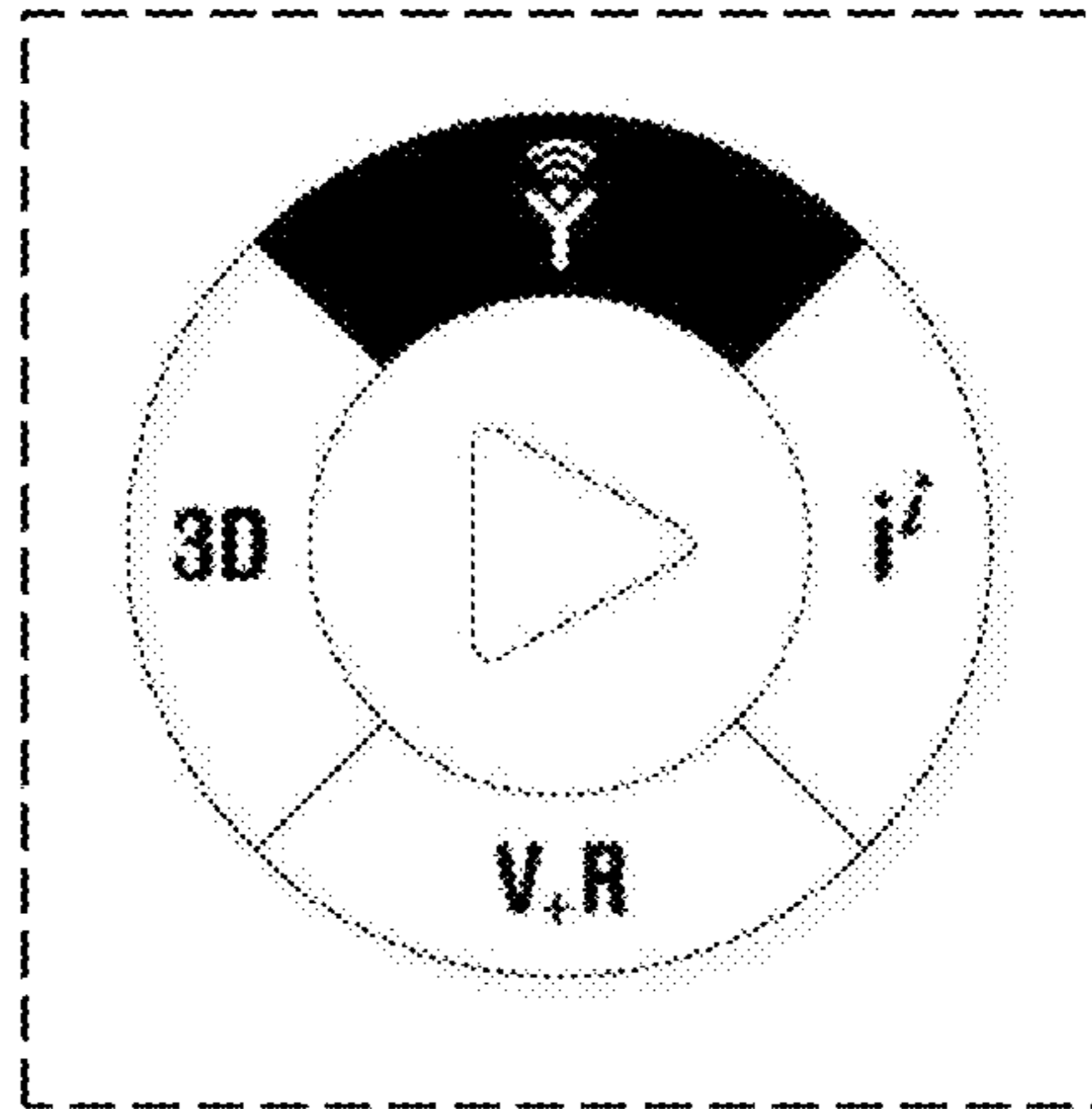
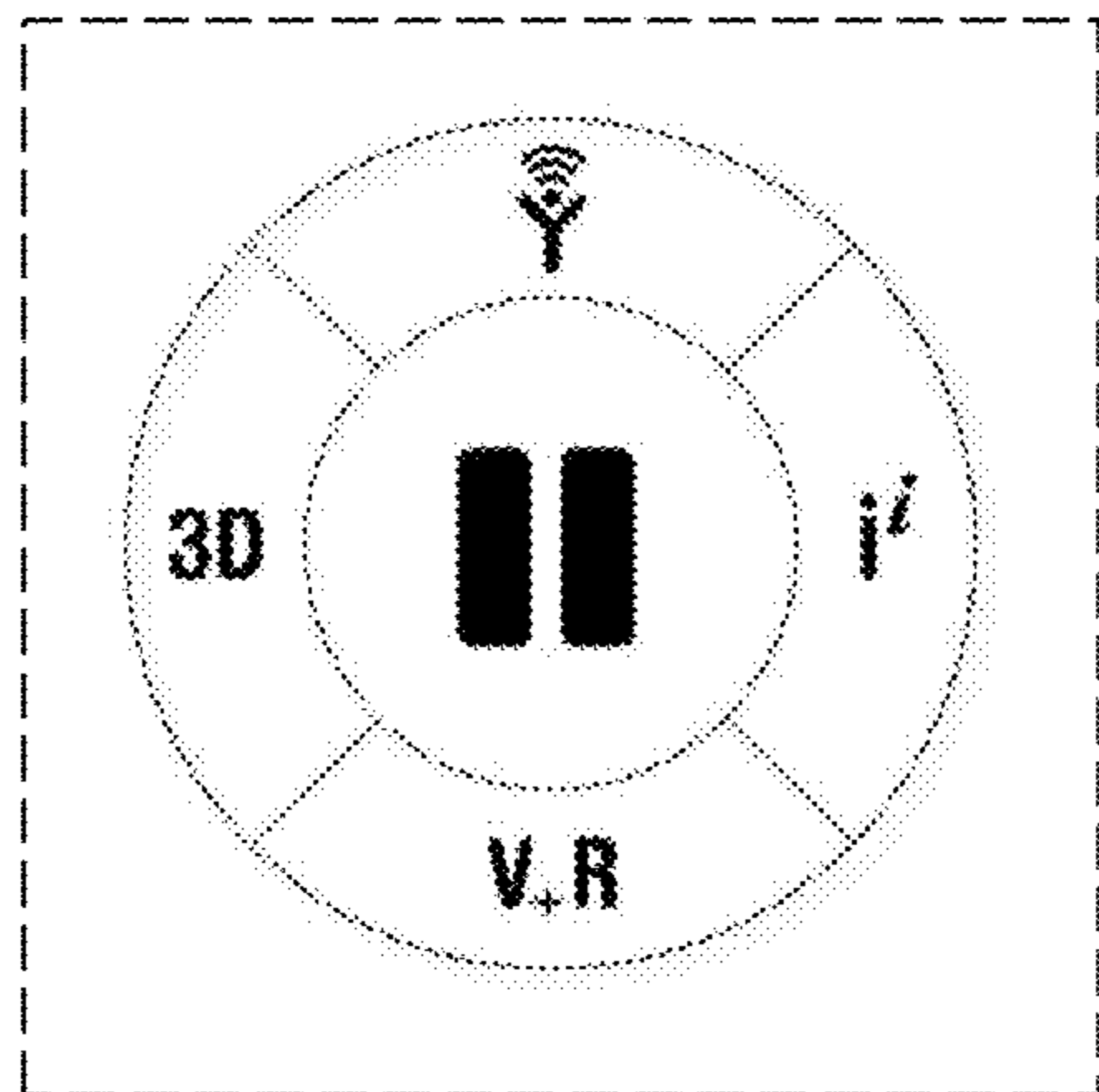
(57) **CLAIM**

The ornamental design for a graphical user interface of a transitional image for a display screen or a portion thereof, as shown and described.

DESCRIPTION

FIG. 1 is a front view of the first image of a graphical user interface of a transitional image for a display screen or a portion thereof showing our new design; FIG. 2 is a front view of the second image thereof; FIG. 3 is a front view of the third image thereof; FIG. 4 is a front view of the fourth image thereof; FIG. 5 is a front view of the fifth image thereof; FIG. 6 is a front view of the sixth image thereof; and, FIG. 7 is a front view of the seventh image thereof. The appearance of the image transitions sequentially between the images shown in FIGS. 1-7. The process or period in which one image transitions to another forms no part of the claimed design. The broken line showing of environmental structure is included for the purpose of illustrating portions of the article and forms no part of the claimed design.

1 Claim, 4 Drawing Sheets



(56)

References Cited

U.S. PATENT DOCUMENTS

D644,661 S *	9/2011	Gardner et al.	D14/495	D701,515 S	3/2014	Matas et al.	
D644,662 S *	9/2011	Gardner et al.	D14/495	D702,706 S *	4/2014	Kotler et al. D14/487
D656,155 S	3/2012	Pereira et al.			D702,707 S *	4/2014	Kotler et al. D14/487
D658,200 S	4/2012	Gleasman et al.			D704,731 S	5/2014	Pearson et al.	
8,151,209 B2 *	4/2012	Law et al.	715/773	D705,801 S	5/2014	Kerr et al.	
D658,675 S	5/2012	Gleasman et al.			D705,802 S	5/2014	Kerr et al.	
8,230,339 B2 *	7/2012	Watanabe et al.	715/713	D705,808 S *	5/2014	Anzures et al. D14/492
D664,961 S	8/2012	Pereira et al.			D706,283 S *	6/2014	Pedraza Padilla et al.	... D14/486
D664,987 S	8/2012	Gleasman et al.			D706,791 S *	6/2014	Sassoon D14/486
D669,497 S *	10/2012	Lee et al.	D14/489	D716,325 S *	10/2014	Brudnicki D14/486
D684,585 S *	6/2013	Plesnicher et al.	D14/486	2005/0210402 A1 *	9/2005	Gunn et al. 715/773
D684,587 S *	6/2013	Plesnicher et al.	D14/486	2007/0136679 A1 *	6/2007	Yang 715/772
D687,460 S *	8/2013	Tyler et al.	D14/489	2007/0192168 A1	8/2007	Van Luchene	
D698,363 S *	1/2014	Asai	D14/488	2007/0261003 A1 *	11/2007	Reissmueller 715/810
D699,741 S *	2/2014	Wantland et al.	D14/487	2008/0295033 A1 *	11/2008	Lee et al. 715/840
D699,747 S *	2/2014	Pearson et al.	D14/488	2009/0019397 A1 *	1/2009	Buffet et al. 715/837
D699,750 S *	2/2014	Pearson et al.	D14/488	2009/0083665 A1 *	3/2009	Anttila et al. 715/834
D701,216 S	3/2014	Noda et al.			2011/0249005 A1 *	10/2011	Hautvast 345/440
D701,224 S	3/2014	Nations et al.			2012/0096383 A1 *	4/2012	Sakamoto et al. 715/772
					2012/0124520 A1 *	5/2012	Samp et al. 715/834
					2012/0159294 A1	6/2012	Gonsalves et al.	
					2014/0208241 A1 *	7/2014	Charles et al. 715/760

* cited by examiner

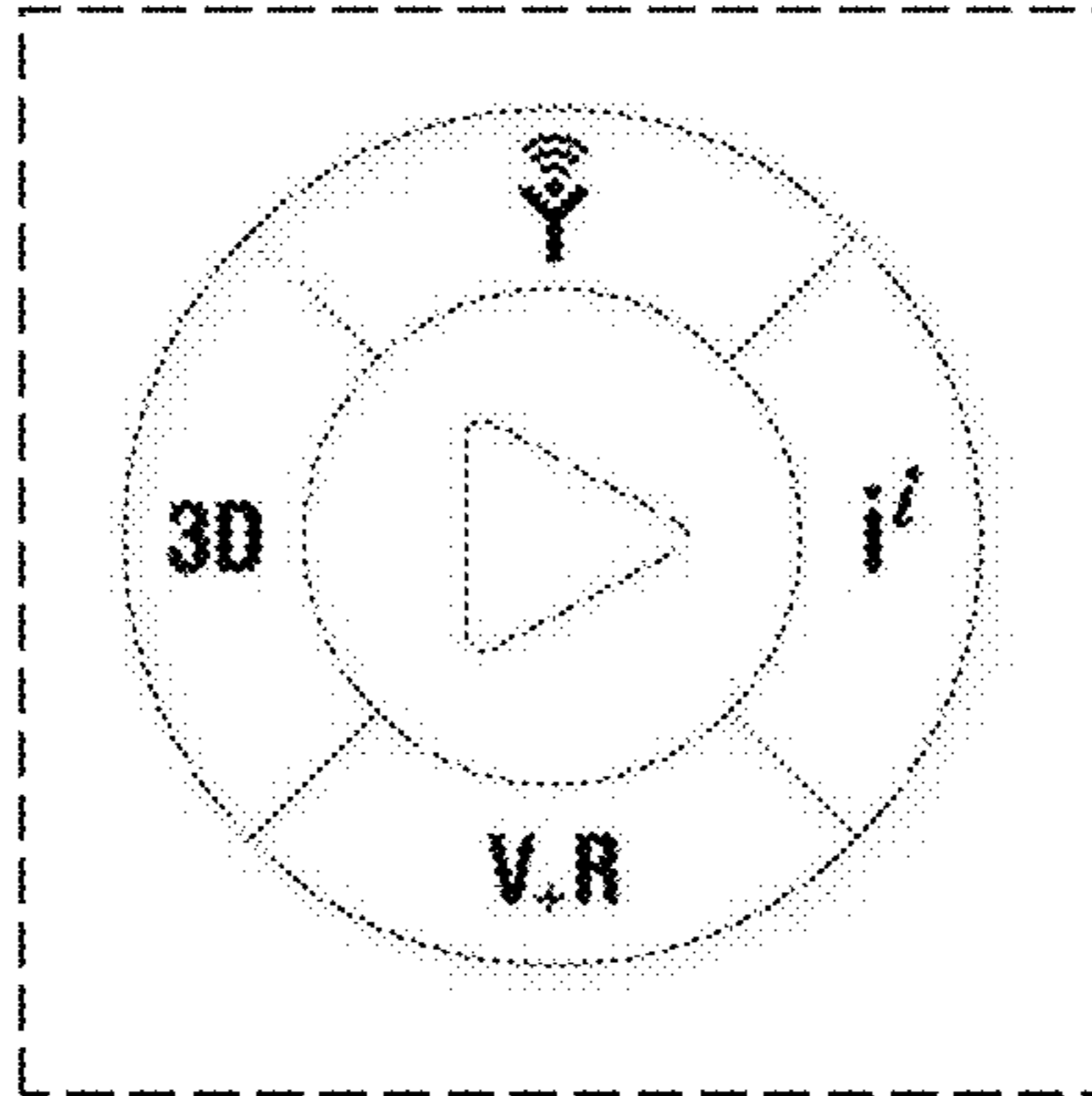


Figure 1

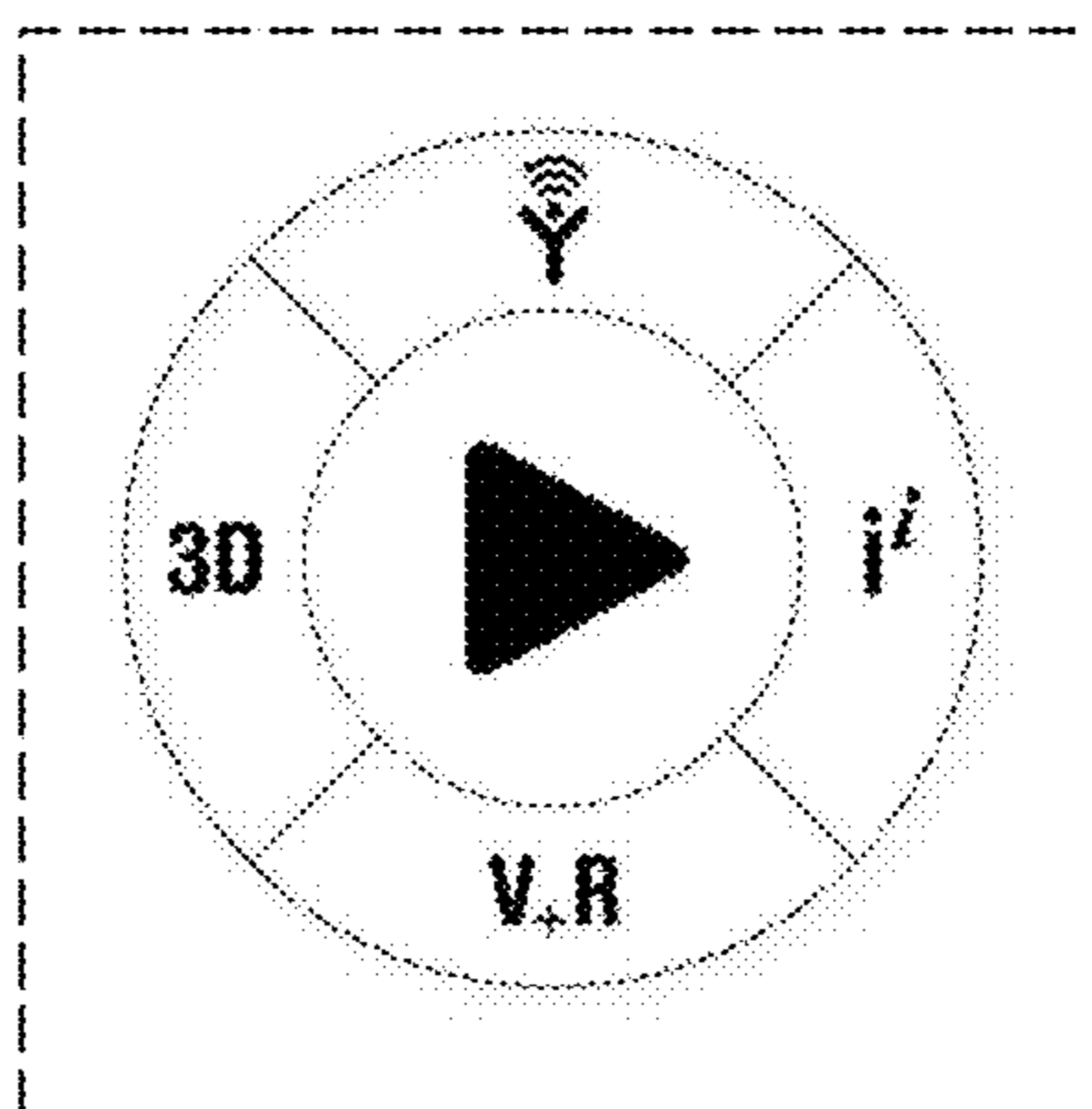


Figure 2

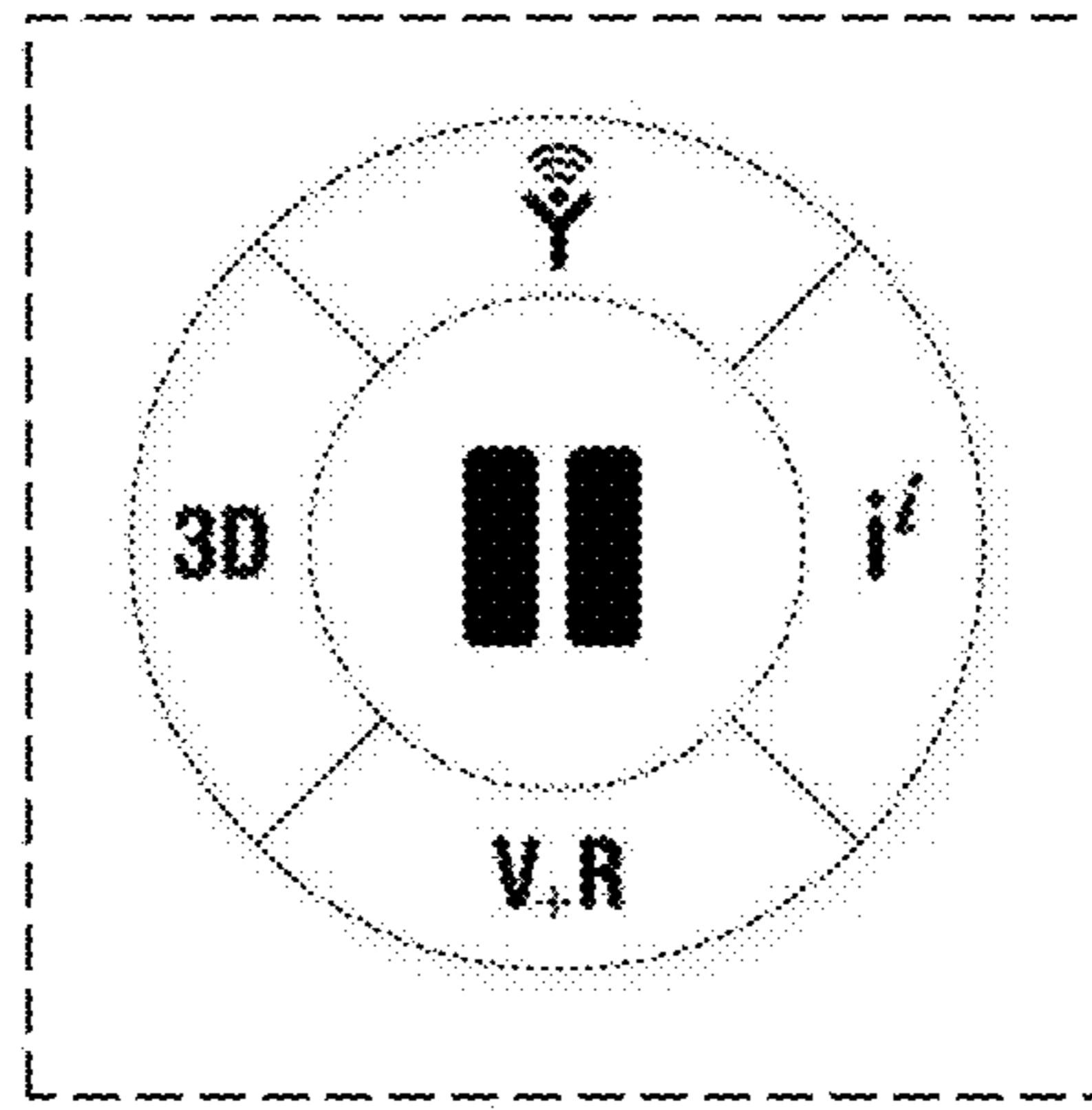


Figure 3

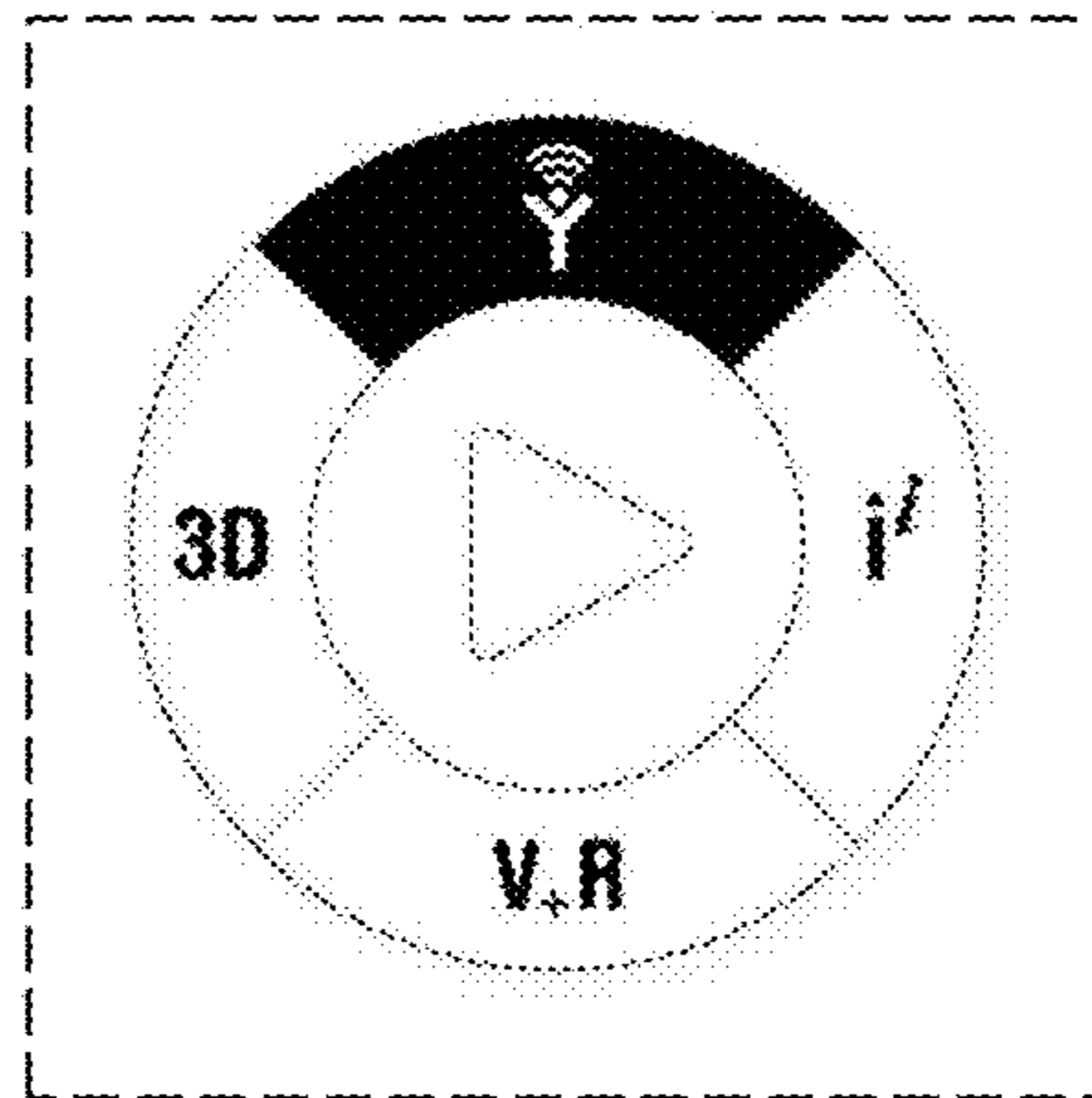


Figure 4

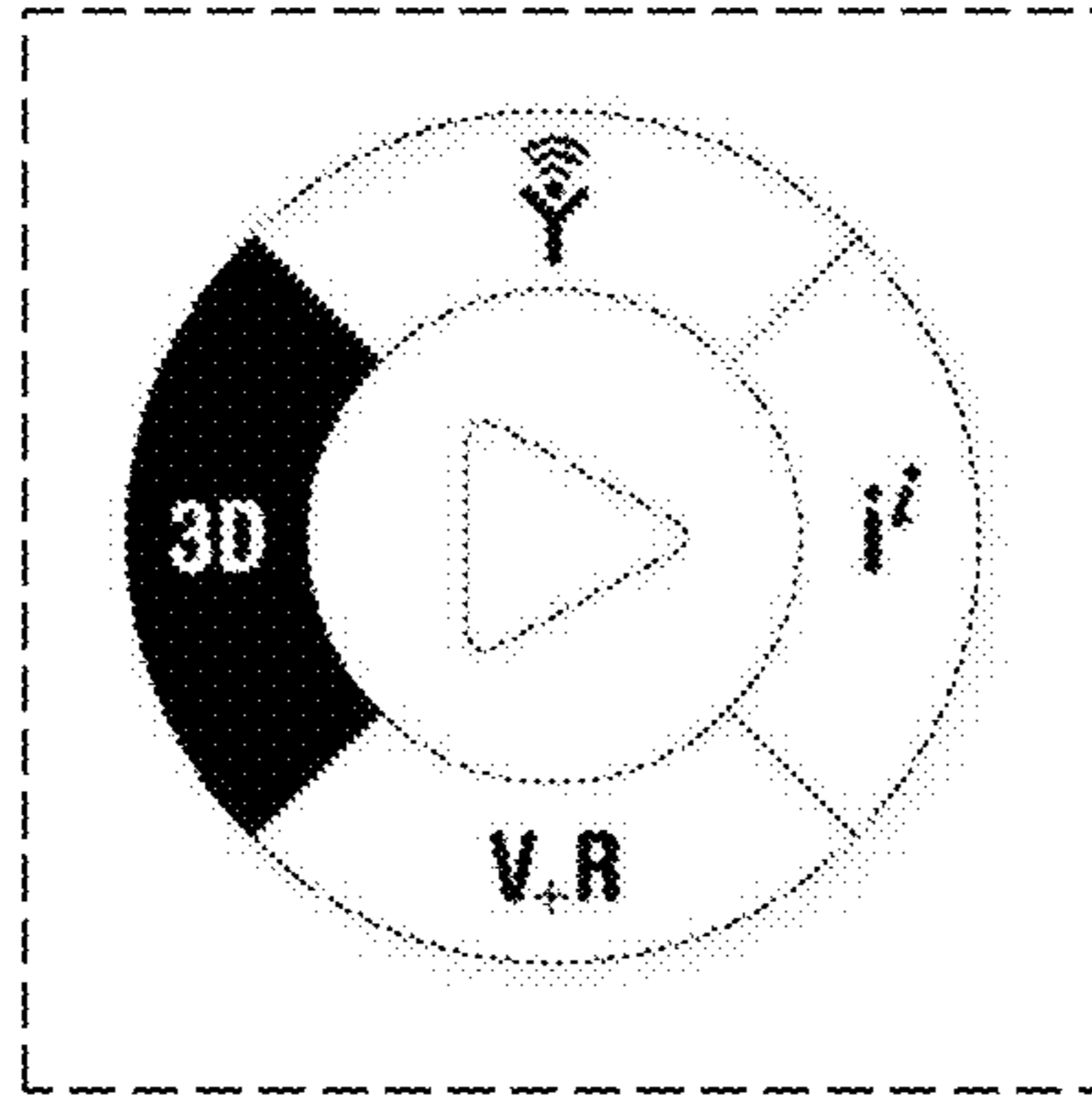


Figure 5

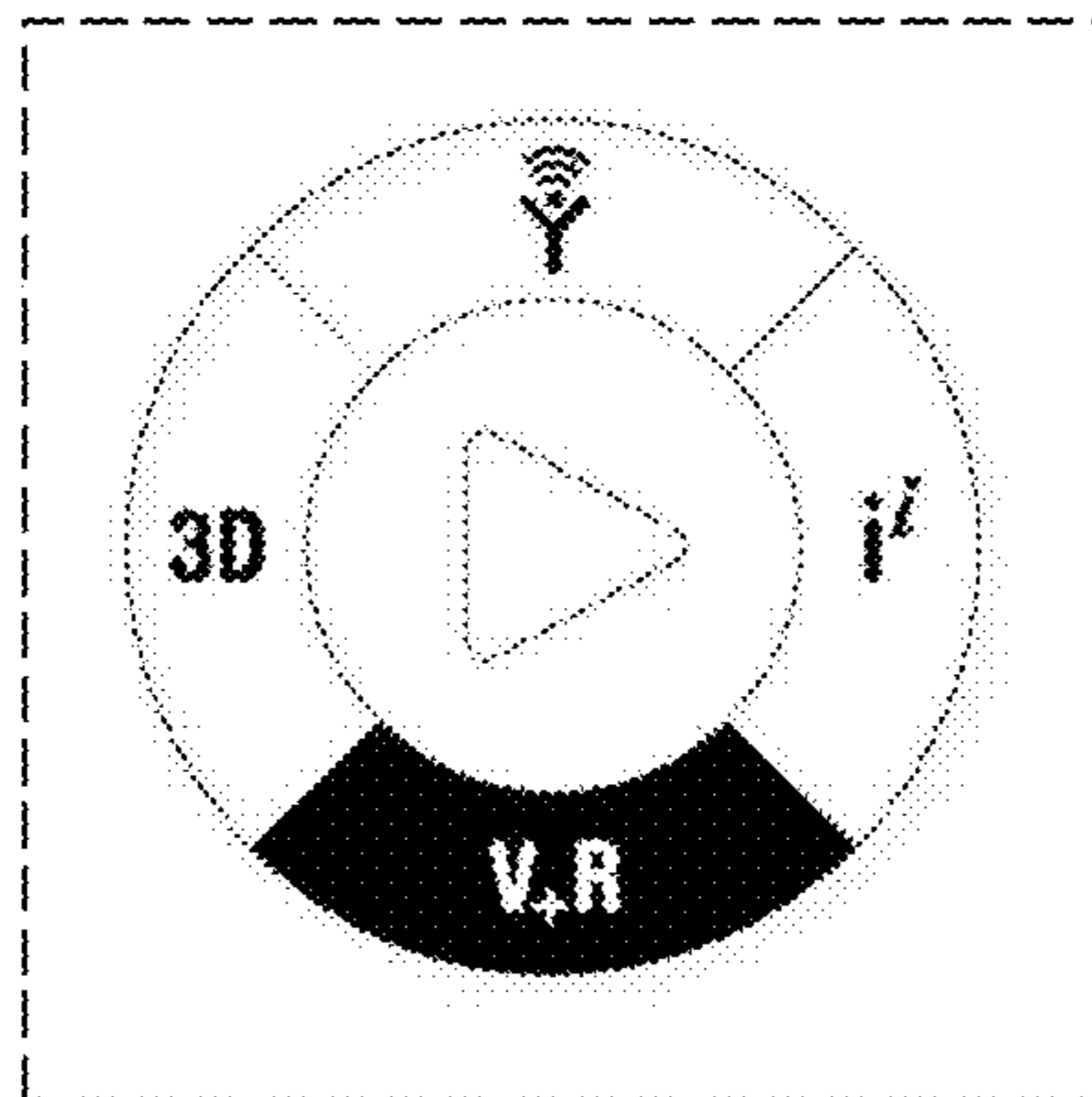


Figure 6

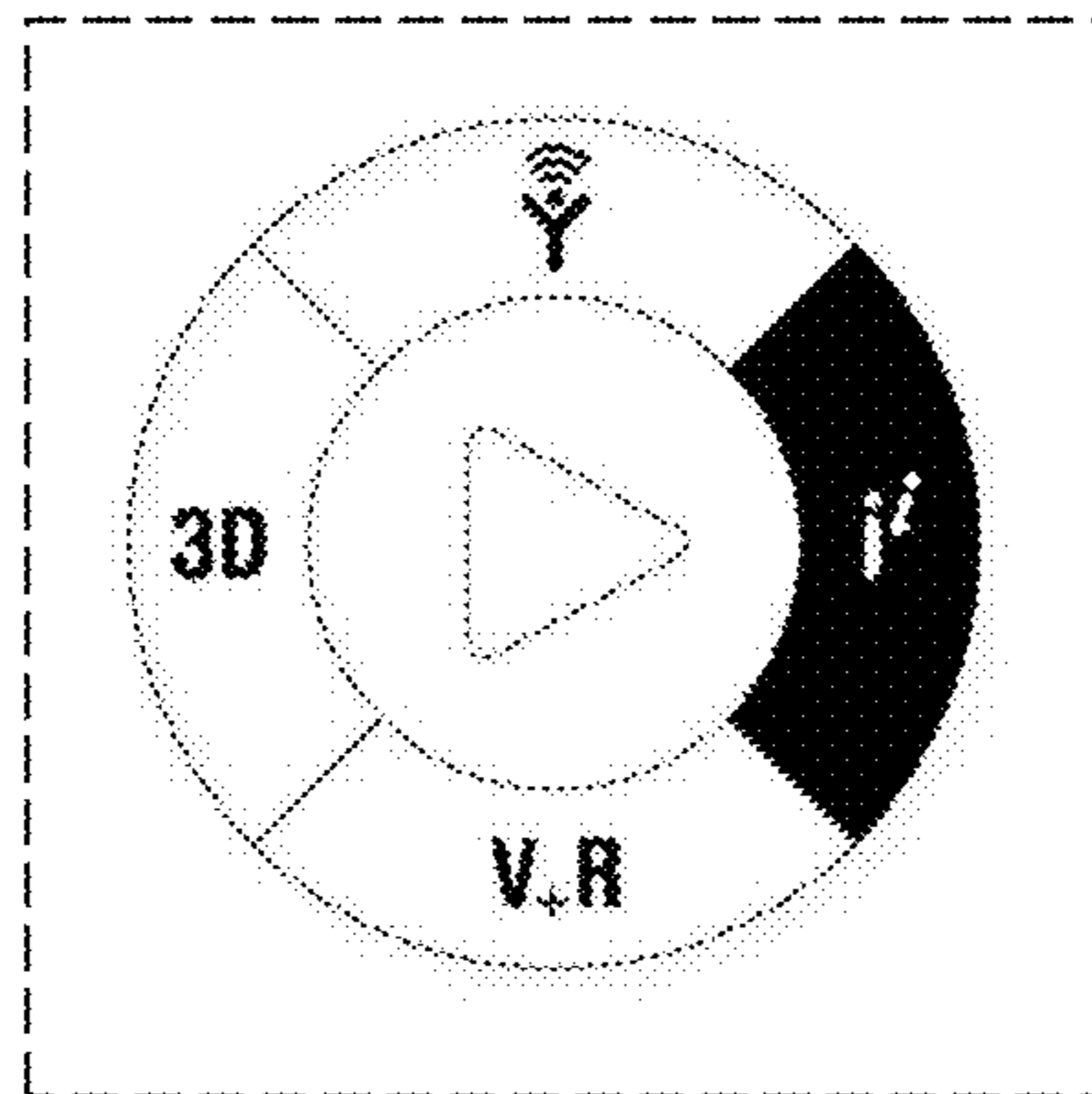


Figure 7

UNITED STATES PATENT AND TRADEMARK OFFICE
CERTIFICATE OF CORRECTION

PATENT NO. : D722,079 S
APPLICATION NO. : 29/424818
DATED : February 3, 2015
INVENTOR(S) : Bernard Charlès et al.

Page 1 of 1

It is certified that error appears in the above-identified patent and that said Letters Patent is hereby corrected as shown below:

On the title page, item (54) please delete

“TRANSITIONAL IMAGE FOR A PORTION OF A DISPLAY SCREEN,”

and insert

-- GRAPHICAL USER INTERFACE OF A TRANSITIONAL IMAGE FOR A DISPLAY SCREEN
OR A PORTION THEREOF --.

Signed and Sealed this
Twelfth Day of May, 2015



Michelle K. Lee
Director of the United States Patent and Trademark Office