

US00D722073S

(12) **United States Design Patent**
Lima et al.

(10) **Patent No.:** **US D722,073 S**
(45) **Date of Patent:** **** Feb. 3, 2015**

(54) **DISPLAY SCREEN WITH GRAPHICAL USER INTERFACE**

(71) Applicant: **Microsoft Corporation**, Redmond, WA (US)

(72) Inventors: **Manuel Lima**, New York, NY (US);
Brian Morris, New York, NY (US);
Manuel Tan, New York, NY (US);
Robert Scott Dietz, Bellevue, WA (US);
Robb Dean Anderson, Seattle, WA (US)

(73) Assignee: **Microsoft Corporation**, Redmond, WA (US)

(**) Term: **14 Years**

(21) Appl. No.: **29/434,523**

(22) Filed: **Oct. 12, 2012**

(51) **LOC (10) Cl.** **14-04**

(52) **U.S. Cl.**
USPC **D14/486**

(58) **Field of Classification Search**
CPC G06F 3/048; G06F 3/0481; G06F 3/0482
USPC D14/485-495
See application file for complete search history.

(56) **References Cited**

U.S. PATENT DOCUMENTS

D392,266	S	*	3/1998	Snyder et al.	D14/486
D535,997	S		1/2007	Cummins et al.		
D537,449	S		2/2007	Hoefnagels et al.		
D540,340	S		4/2007	Cummins et al.		
D548,241	S	*	8/2007	Viegers	D14/487
D548,242	S	*	8/2007	Viegers	D14/487
D550,682	S	*	9/2007	Viegers et al.	D14/486
D562,336	S	*	2/2008	Salunkhe	D14/487
D573,600	S	*	7/2008	Kaminaga	D14/486
D586,355	S	*	2/2009	Mori et al.	D14/486

D589,528	S	*	3/2009	Koh	D14/486
D594,020	S	*	6/2009	Ball et al.	D14/486
D602,496	S	*	10/2009	Takano et al.	D14/486
7,707,490	B2	*	4/2010	Hays et al.	715/234
D616,895	S	*	6/2010	Ehrler et al.	D14/486
D617,335	S	*	6/2010	Ehrler et al.	D14/486
D619,602	S	*	7/2010	Ehrler et al.	D14/486
D628,208	S	*	11/2010	Potemski et al.	D14/486
D629,417	S	*	12/2010	Weir et al.	D14/486
D641,372	S		7/2011	Gardner et al.		
D641,373	S	*	7/2011	Gardner et al.	D14/486
D643,438	S		8/2011	Gardner et al.		
D655,299	S		3/2012	Shallcross et al.		
D655,302	S		3/2012	Gleasant et al.		
D655,303	S		3/2012	Shallcross et al.		
D655,712	S		3/2012	Ray et al.		
D658,196	S	*	4/2012	Wood et al.	D14/486
D658,199	S		4/2012	Lee et al.		
8,161,373	B2	*	4/2012	Rapp	715/212
D664,152	S	*	7/2012	Ray et al.	D14/486
D664,966	S	*	8/2012	Shallcross et al.	D14/485
D664,967	S	*	8/2012	Lee et al.	D14/485
D664,970	S	*	8/2012	Ray et al.	D14/486
D664,979	S	*	8/2012	Barcheck et al.	D14/487
D665,394	S	*	8/2012	Duggan et al.	D14/485
D666,625	S	*	9/2012	Gilmore et al.	D14/485
D666,630	S	*	9/2012	LeVee et al.	D14/486

(Continued)

Primary Examiner — Kevin Rudzinski

(74) *Attorney, Agent, or Firm* — Banner & Witcoff, Ltd.

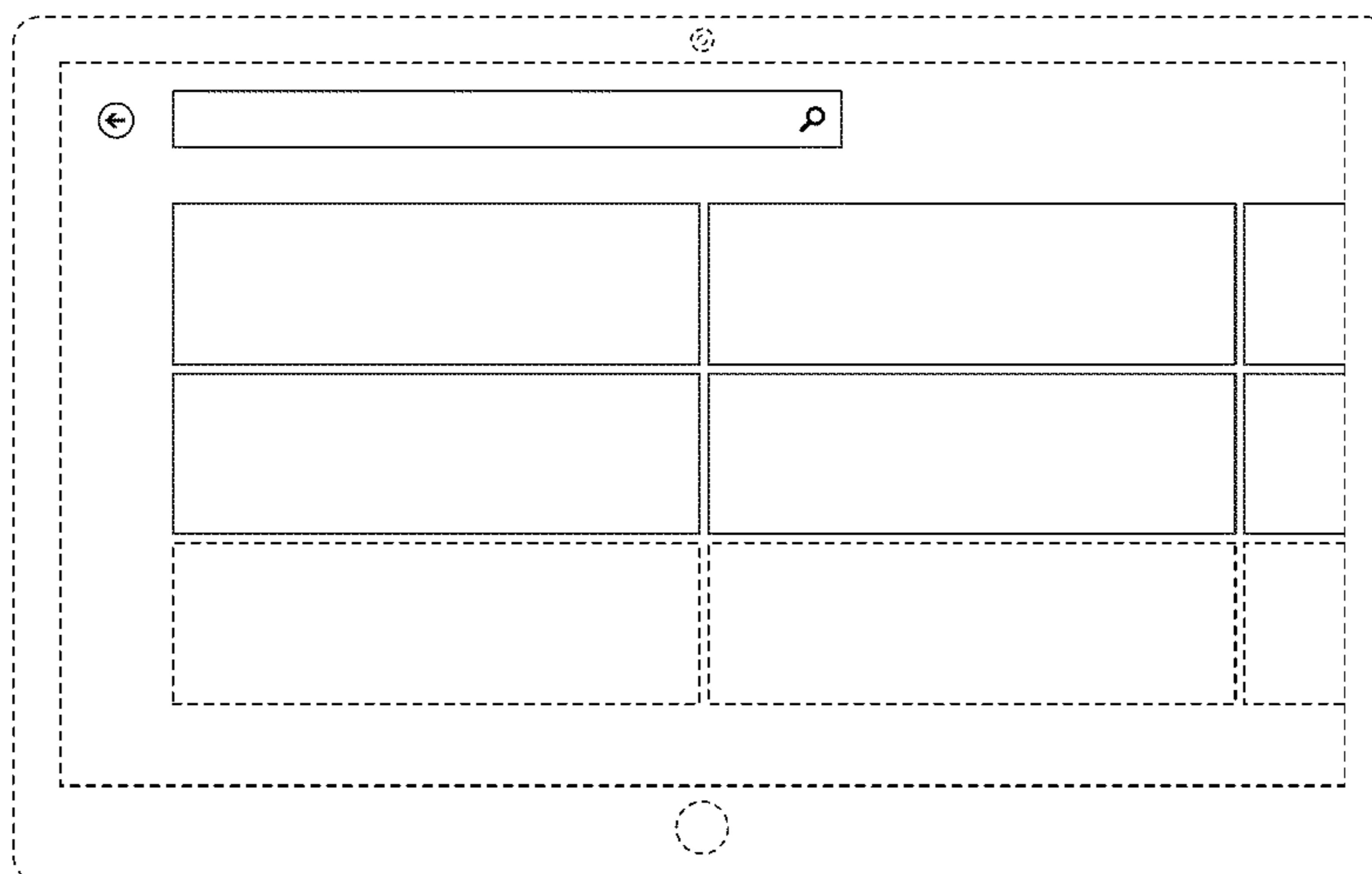
(57) **CLAIM**

The ornamental design for a display screen with graphical user interface, as shown and described.

DESCRIPTION

The FIGURE is a front view of a display screen with graphical user interface showing our new design. The broken line showing of the remainder of the display screen and user interface is for environmental purposes only and forms no part of the claimed design.

1 Claim, 1 Drawing Sheet



(56)

References Cited

U.S. PATENT DOCUMENTS

D667,023 S *	9/2012	Friedlander et al.	D14/487	D695,781 S *	12/2013	Edwards et al.	D14/488
D669,908 S *	10/2012	Shallcross et al.	D14/486	D697,075 S *	1/2014	Waldman	D14/485
D670,722 S *	11/2012	Yang et al.	D14/486	D698,359 S *	1/2014	Ray	D14/485
D670,726 S *	11/2012	Bitran et al.	D14/487	D698,800 S *	2/2014	Jung	D14/486
D677,269 S *	3/2013	Scott et al.	D14/486	D698,812 S *	2/2014	Gardner et al.	D14/488
D677,685 S *	3/2013	Simmons et al.	D14/486	D699,261 S *	2/2014	Rajani	D14/488
D684,172 S *	6/2013	Rytt et al.	D14/486	D699,731 S *	2/2014	Chand et al.	D14/485
D684,181 S *	6/2013	Carpenter et al.	D14/489	D705,787 S *	5/2014	Talbot et al.	D14/485
D684,994 S *	6/2013	Xie et al.	D14/488	D705,794 S *	5/2014	Ranz et al.	D14/486
D686,234 S *	7/2013	Vassigh et al.	D14/486	D705,796 S *	5/2014	Varon	D14/486
D689,066 S *	9/2013	Santos et al.	D14/486	D706,286 S *	6/2014	Pitt	D14/486
D689,067 S *	9/2013	Danhope et al.	D14/486	D706,796 S *	6/2014	Talbot	D14/486
D689,073 S *	9/2013	Park et al.	D14/486	D707,238 S *	6/2014	Talbot	D14/486
D689,899 S *	9/2013	Lee et al.	D14/488	D707,693 S *	6/2014	Satterfield et al.	D14/486
D691,154 S *	10/2013	Talbot et al.	D14/485	D707,694 S *	6/2014	Satterfield et al.	D14/486
D694,775 S *	12/2013	Gardner et al.	D14/486	D707,704 S *	6/2014	Capua et al.	D14/488
D695,776 S *	12/2013	Edwards et al.	D14/488	D711,414 S *	8/2014	Scott	D14/486
D695,778 S *	12/2013	Edwards et al.	D14/488	D713,856 S *	9/2014	Chand et al.	D14/487
D695,780 S *	12/2013	Edwards et al.	D14/488	D713,857 S *	9/2014	Chand et al.	D14/487
				D714,822 S *	10/2014	Capua et al.	D14/488
				D717,824 S *	11/2014	Green et al.	D14/486
				2013/0082949 A1 *	4/2013	Kwak et al.	345/173

* cited by examiner

