

US00D722068S

(12) **United States Design Patent**
Jung et al.

(10) **Patent No.:** **US D722,068 S**
(45) **Date of Patent:** **** Feb. 3, 2015**

(54) **STAND FOR COMPUTER MONITOR**

(71) Applicant: **Samsung Electronics Co., Ltd.**,
Suwon-si (KR)

(72) Inventors: **Dae-Hun Jung**, Seoul (KR); **Yong-Joo Lee**, Seoul (KR)

(73) Assignee: **Samsung Electronics Co., Ltd.**,
Suwon-si (KR)

(**) Term: **14 Years**

(21) Appl. No.: **29/493,785**

(22) Filed: **Jun. 13, 2014**

(30) **Foreign Application Priority Data**

Jan. 2, 2014 (KR) 30-2014-0000232

(51) **LOC (10) Cl.** **08-07**

(52) **U.S. Cl.**
USPC **D14/451; D14/447**

(58) **Field of Classification Search**
USPC D14/447, 432, 434, 439, 440, 451, 452,
D14/239, 251, 253, 217, 374, 375;
D6/406.3, 406.4, 406.5; D3/218;
D12/415; 248/917-924, 445, 447, 451,
248/455, 460, 150, 188.6, 176.1;
361/679.09, 679.21, 679.22, 679.26,
361/679.3, 679.55, 679.56

See application file for complete search history.

(56) **References Cited**

U.S. PATENT DOCUMENTS

D413,110 S * 8/1999 Sweere et al. D14/447
D491,952 S * 6/2004 Oddsen et al. D14/447
D496,044 S * 9/2004 Yong D14/375

D543,208 S * 5/2007 Kita D14/451
D551,663 S * 9/2007 Kita D14/239
D552,090 S * 10/2007 Kita D14/239
D616,424 S * 5/2010 Li D14/239
D646,684 S * 10/2011 Tierney et al. D14/451
D687,442 S * 8/2013 Nishimura D14/447
D697,921 S * 1/2014 Oh et al. D14/447
D702,243 S * 4/2014 Oh et al. D14/447
D704,198 S * 5/2014 Kim et al. D14/447
D711,333 S * 8/2014 Kim D14/126

* cited by examiner

Primary Examiner — Angela J Lee

(74) *Attorney, Agent, or Firm* — NSIP Law

(57) **CLAIM**

We claim the ornamental design for a stand for computer monitor, as shown and described.

DESCRIPTION

FIG. 1 is a front perspective view of a stand for computer monitor showing our new design;
FIG. 2 is a front view thereof;
FIG. 3 is a rear view thereof;
FIG. 4 is a left-side view thereof;
FIG. 5 is a right-side view thereof;
FIG. 6 is a top view thereof;
FIG. 7 is a bottom view thereof;
FIG. 8 is another front perspective view, in which a computer monitor in broken lines is provided to illustrate an example environment; and,
FIG. 9 is a rear perspective view, in which a computer monitor in broken lines is provided to illustrate an example environment.
The broken line showing of the computer monitor in FIGS. 8 and 9 is for environmental purposes only and forms no part of the claimed design.

1 Claim, 9 Drawing Sheets

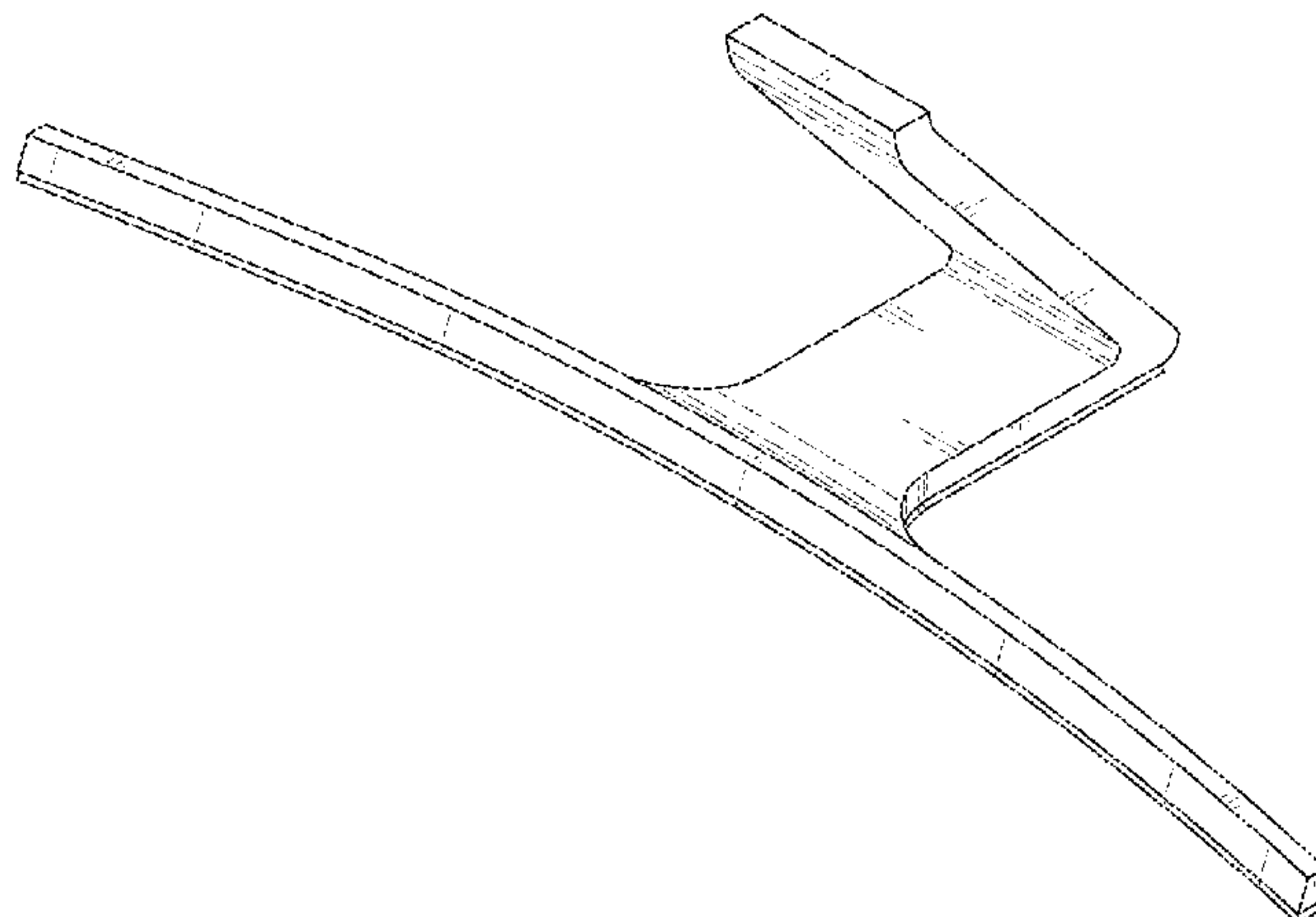


FIG. 1

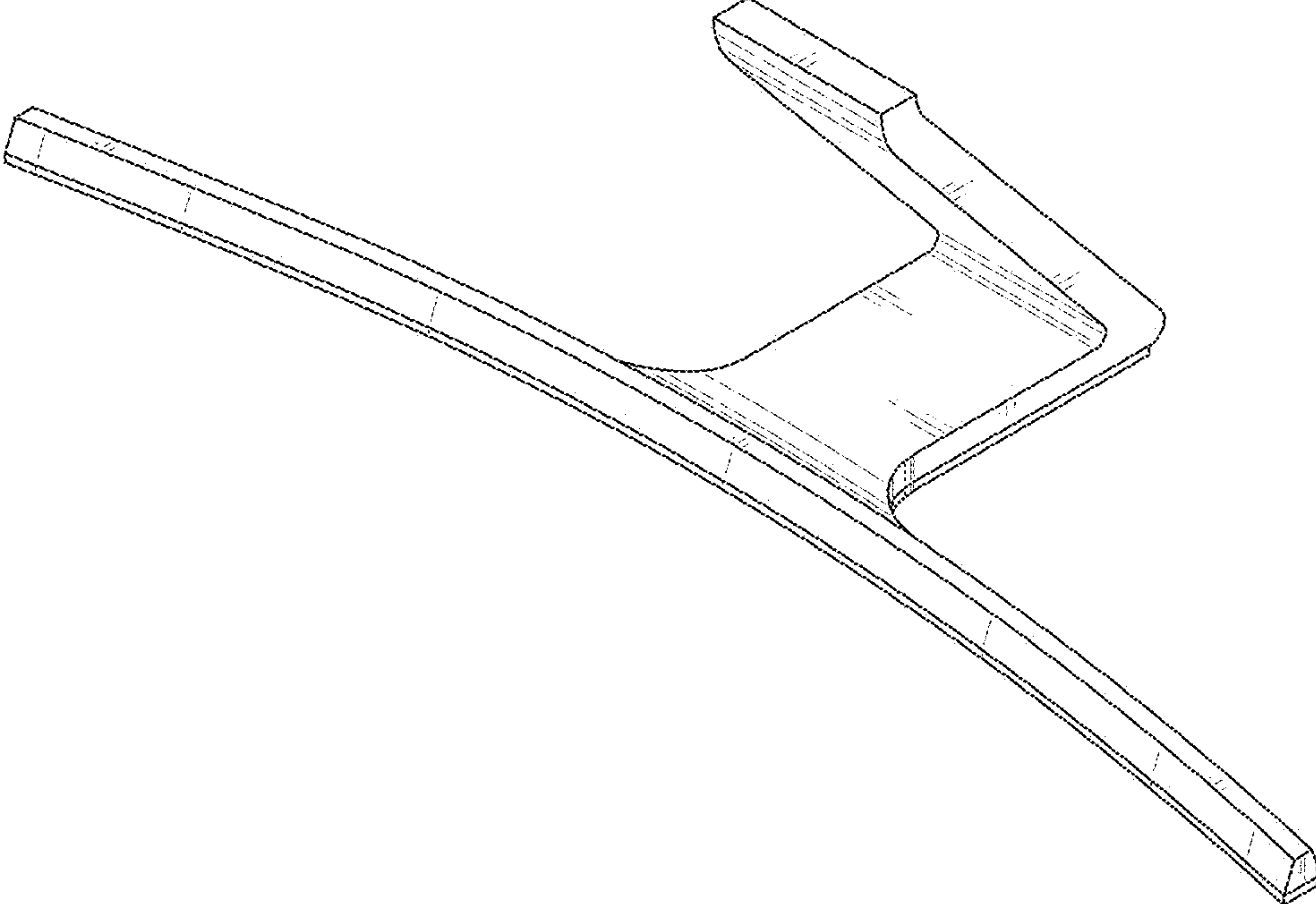


FIG. 2

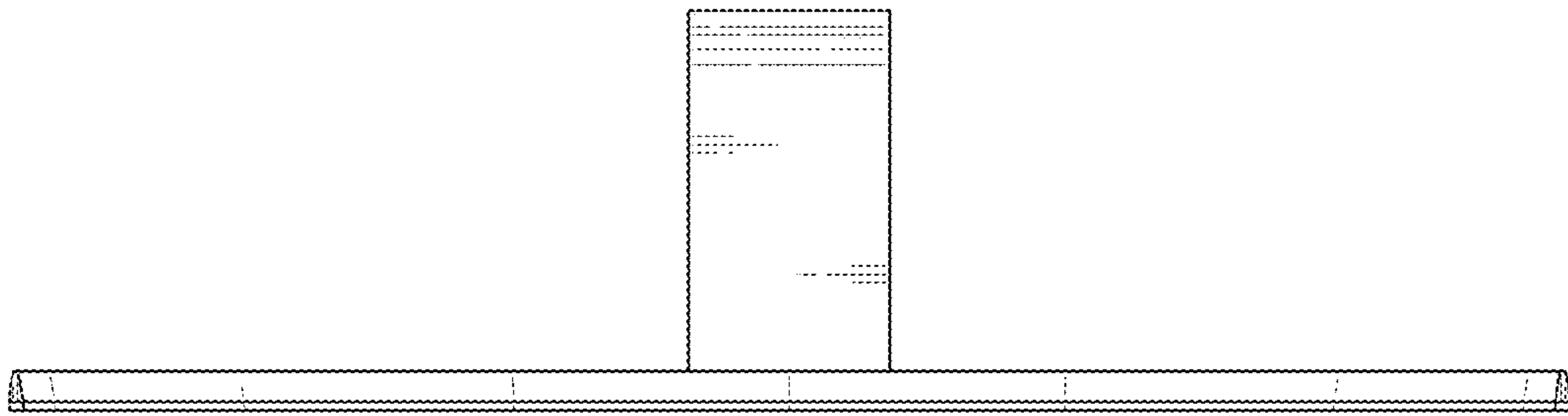


FIG. 3

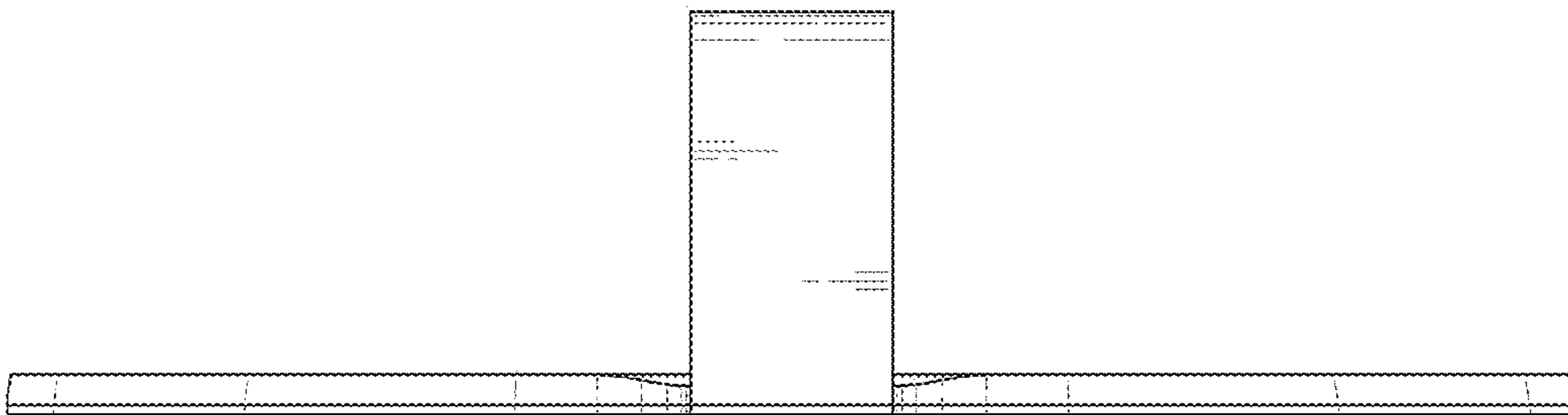


FIG. 4

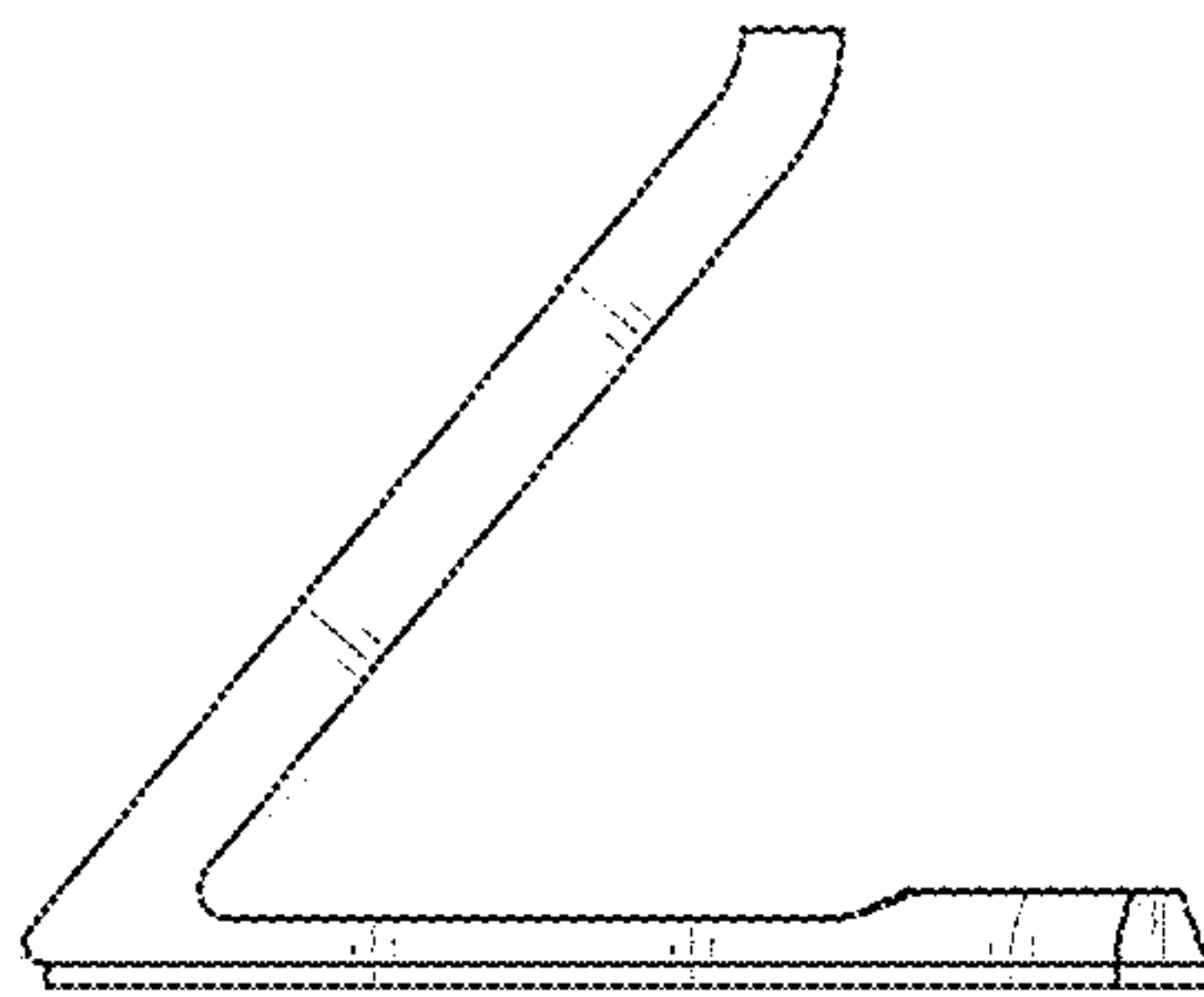


FIG. 5

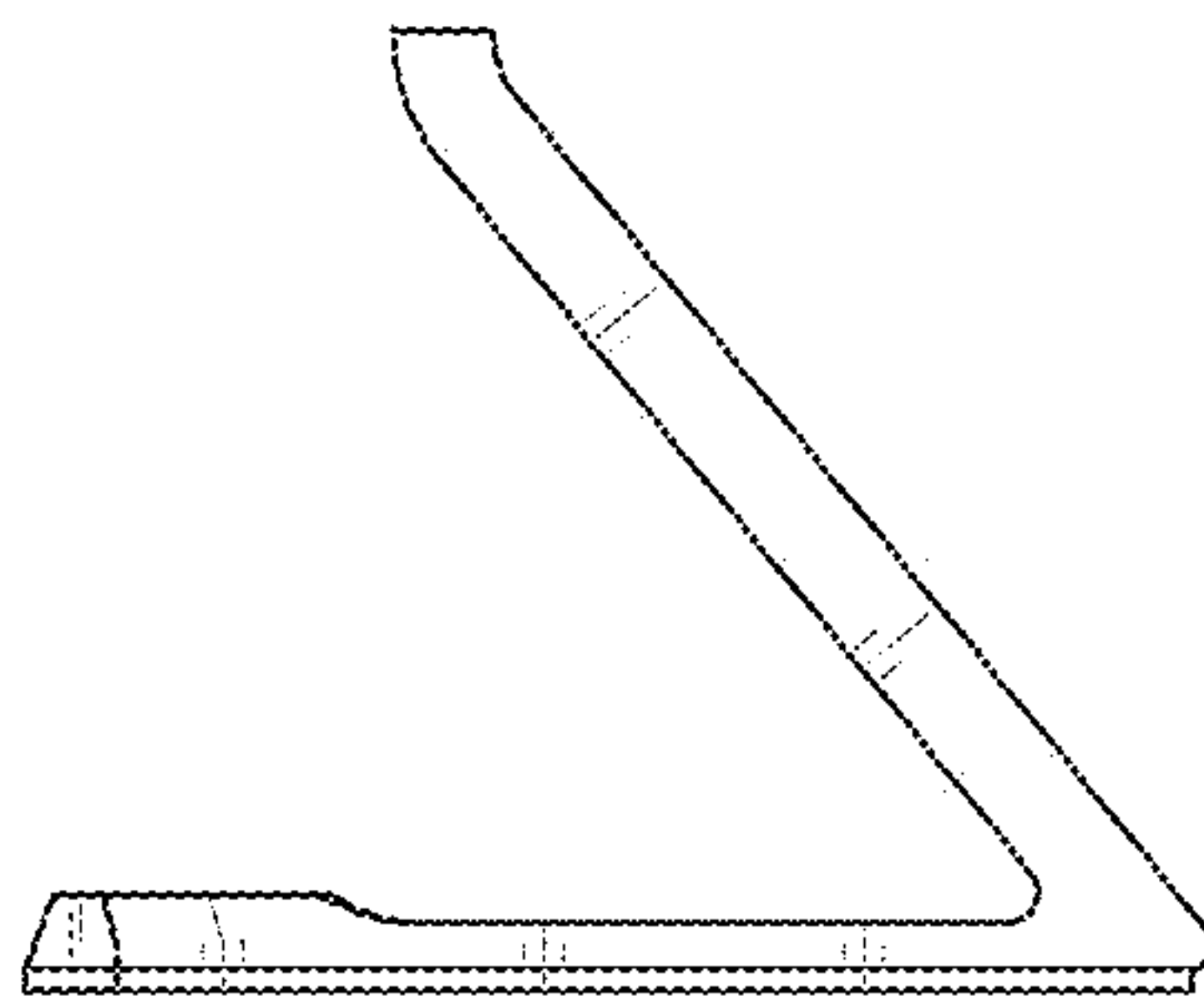


FIG. 6

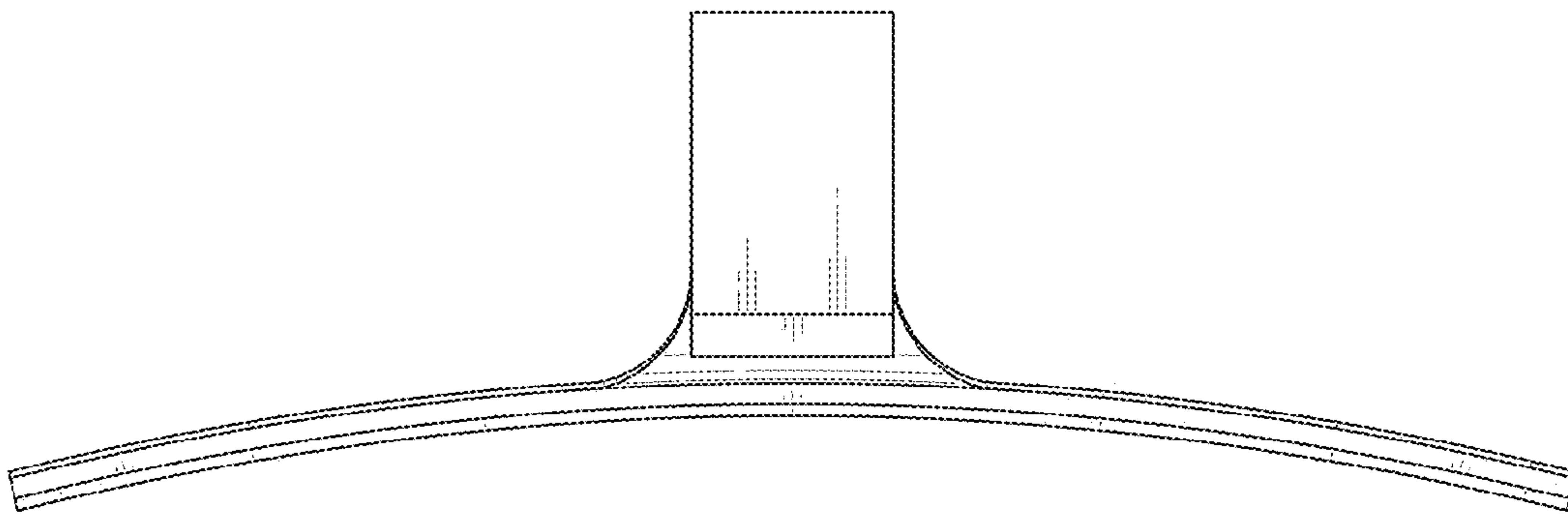
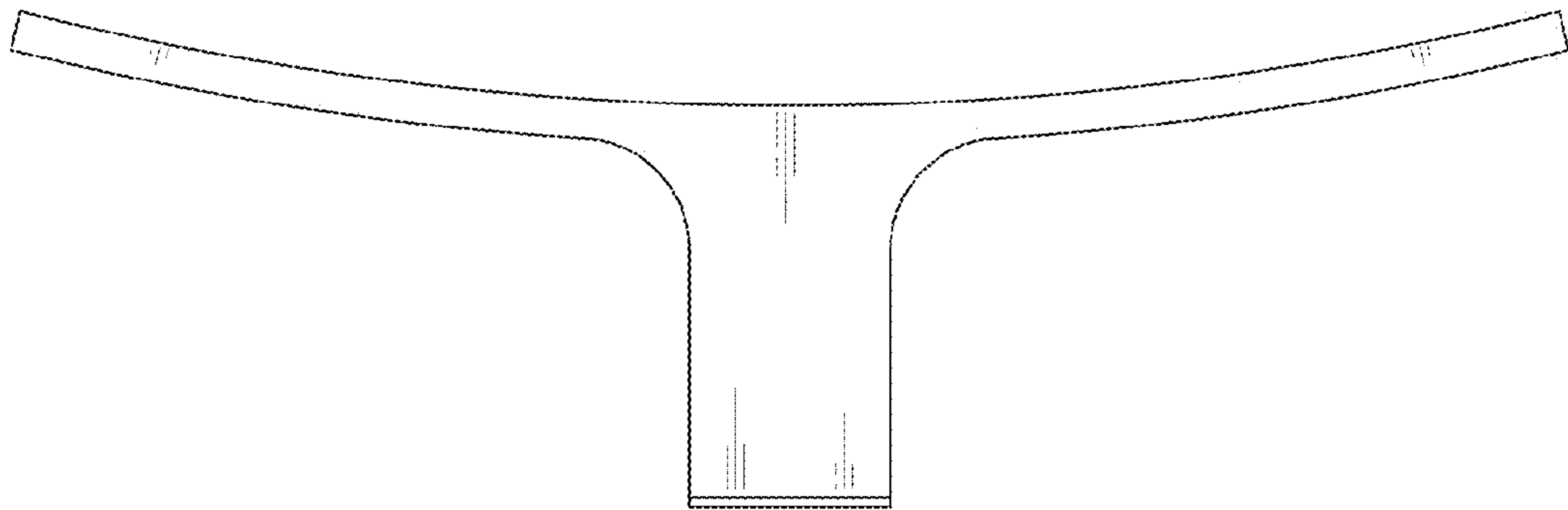


FIG. 7



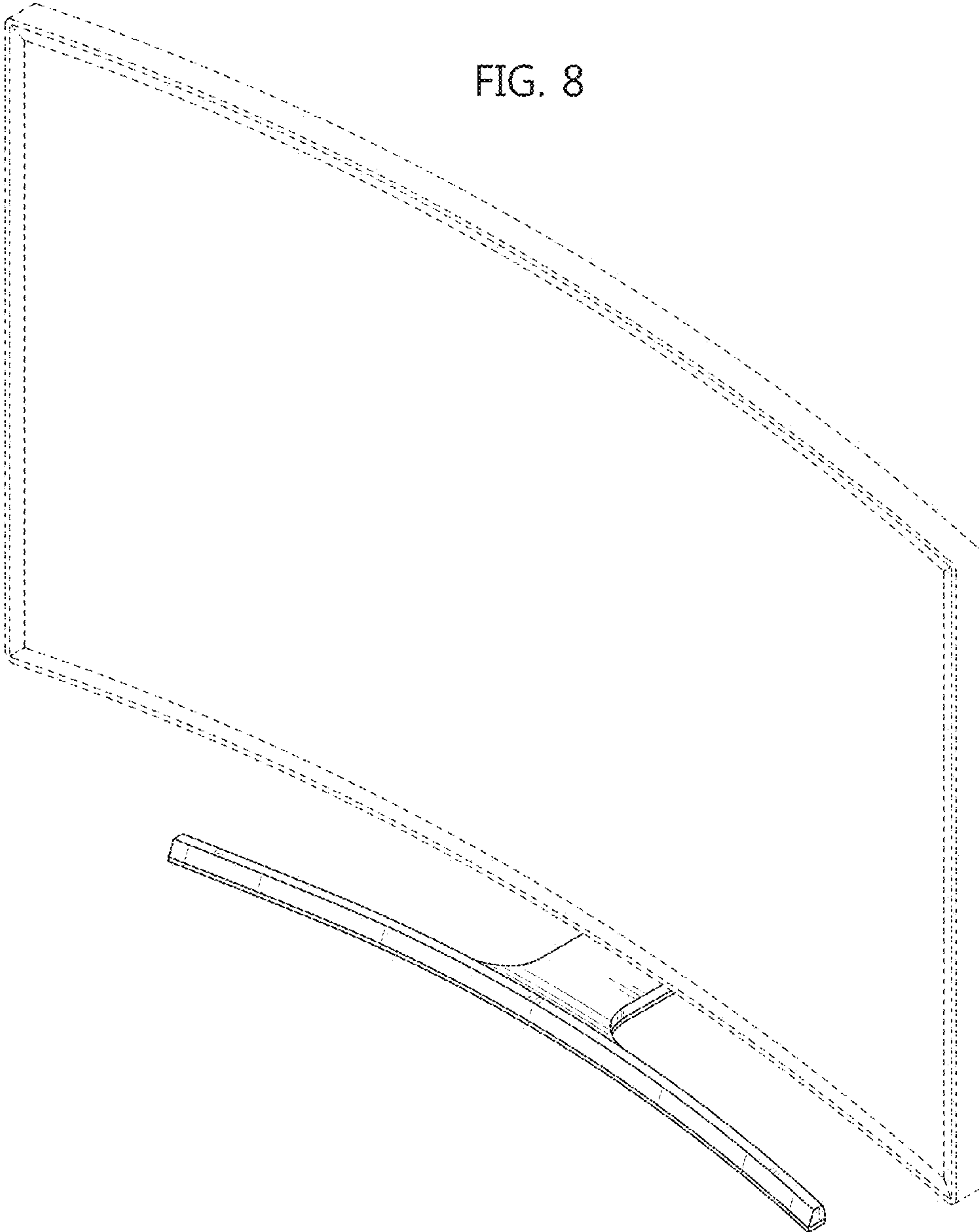


FIG. 8

FIG. 9

