

US00D722066S

(12) **United States Design Patent**
Baker et al.

(10) **Patent No.:** **US D722,066 S**

(45) **Date of Patent:** **** Feb. 3, 2015**

(54) **PODIUM**

(71) Applicants: **Jeff Baker**, Orlando, FL (US); **Mark Bunker**, Orlando, FL (US); **Seth Freytag**, Winter Springs, FL (US); **Craig Baker**, Lebanon, OH (US)

(72) Inventors: **Jeff Baker**, Orlando, FL (US); **Mark Bunker**, Orlando, FL (US); **Seth Freytag**, Winter Springs, FL (US); **Craig Baker**, Lebanon, OH (US)

(73) Assignee: **Promising Ground, LLC**, Orlando, FL (US)

(**) Term: **14 Years**

(21) Appl. No.: **29/439,422**

(22) Filed: **Dec. 11, 2012**

(51) **LOC (10) Cl.** **08-07**

(52) **U.S. Cl.**
USPC **D14/451**

(58) **Field of Classification Search**
USPC D14/371-382, 125-129, 336, 337, 448, D14/451, 452, 492, 447, 450, 239, 434, D14/238.1, 251-253; 341/12; 345/104, 156, 345/168, 173; 348/180, 184, 325, 739; 349/1, 2, 11, 62; 361/679.05-679.07, 361/679.21; D6/300, 311-313, 308, 708; D12/345

See application file for complete search history.

(56) **References Cited**

U.S. PATENT DOCUMENTS

265,863	A	*	10/1882	Quiggle	40/310
3,042,742	A	*	7/1962	Foster	174/69
4,808,234	A	*	2/1989	McKay et al.	134/21
5,315,191	A	*	5/1994	Suzuki	310/40 MM
D375,298	S	*	11/1996	Calfee	D14/451
D376,787	S	*	12/1996	Calfee	D14/451

5,744,218	A	*	4/1998	Barnes	428/192
5,793,273	A	*	8/1998	Yamaguchi et al.	336/198
D409,589	S	*	5/1999	Rorke et al.	D14/451
5,906,287	A	*	5/1999	Kohnen	220/3.2
D416,007	S	*	11/1999	Cavello	D14/451
D444,262	S	*	6/2001	Eberlein et al.	D26/118
D452,559	S	*	12/2001	Schonberger et al.	D23/406
D463,440	S	*	9/2002	Oba	D14/451
D491,952	S	*	6/2004	Oddsens et al.	D14/447
D540,330	S	*	4/2007	Eyman et al.	D14/451
D573,661	S	*	7/2008	Golad	D21/386
D598,459	S	*	8/2009	Gillespie	D14/451
D616,687	S	*	6/2010	Yuzyk	D6/553
D649,945	S	*	12/2011	Kim et al.	D14/125
D659,690	S	*	5/2012	Huang	D14/240
D686,122	S	*	7/2013	Peltola et al.	D12/173
D693,808	S	*	11/2013	Kim et al.	D14/365
D693,946	S	*	11/2013	Kim	D25/157

* cited by examiner

Primary Examiner — Deanna L Pratt

Assistant Examiner — Katie Mroczka

(74) *Attorney, Agent, or Firm* — Timothy H. Van Dyke; Beusse, Wolter, Sanks & Maire, P.A.

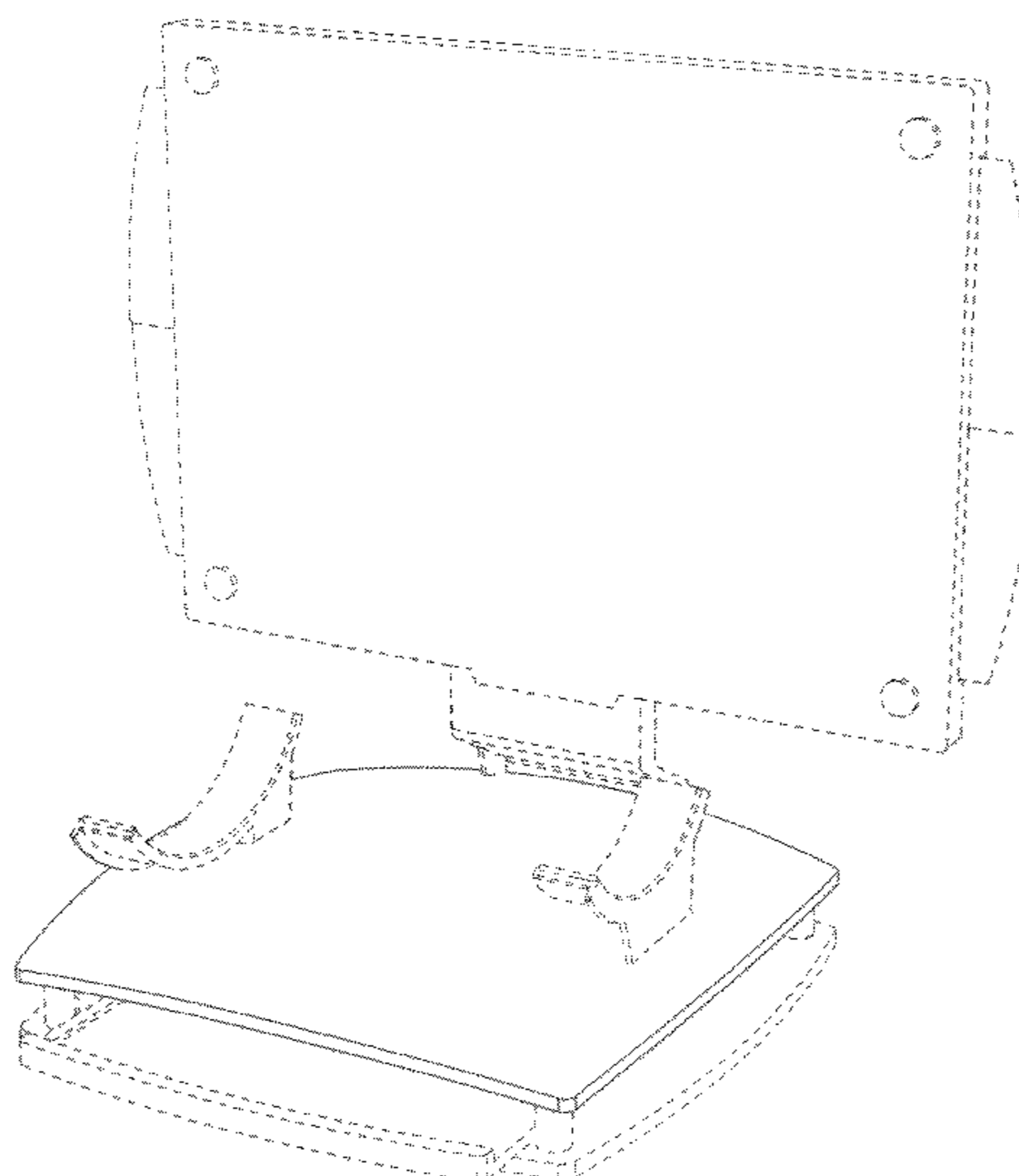
(57) **CLAIM**

The ornamental design for a podium, as shown and described.

DESCRIPTION

FIG. 1 is a perspective, side view of a podium; FIG. 2 is a bottom plan view thereof; FIG. 3 is a side view thereof; FIG. 4 is a side view thereof; FIG. 5 is a side view thereof; FIG. 6 is a side view thereof; FIG. 7 is a top plan view thereof; and, FIG. 8 is a top, perspective view of the podium of FIG. 1, shown in the context of unclaimed environment. The broken lines in FIGS. 1-7 illustrate portions of the podium that form no part of the claimed design. The broken lines in FIG. 8 illustrate the environment of the claimed design and form no part thereof.

1 Claim, 3 Drawing Sheets



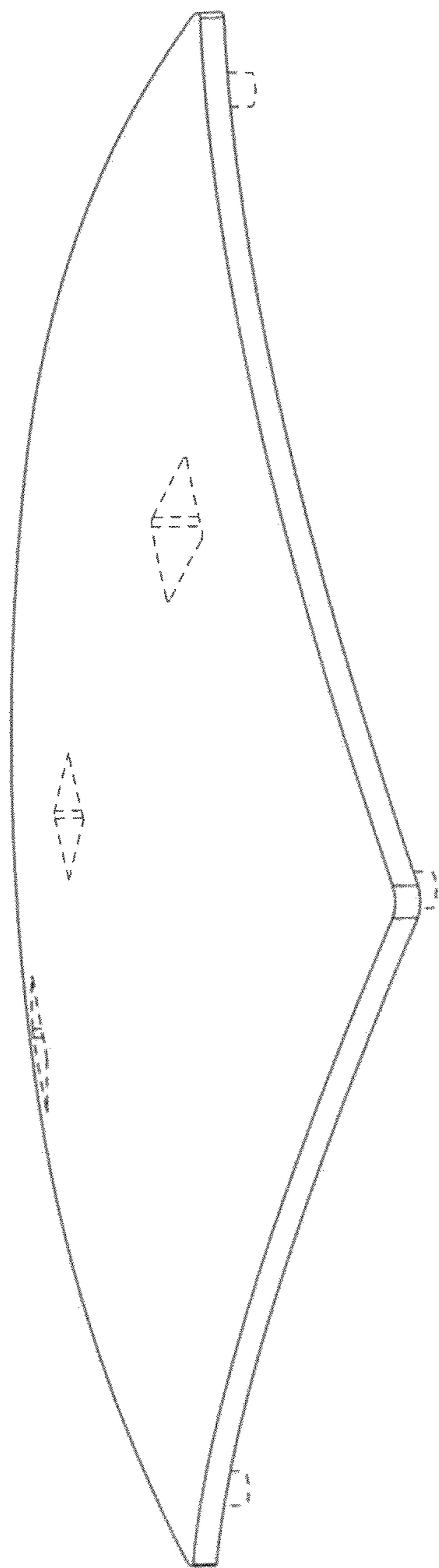


FIG. 1



FIG. 5

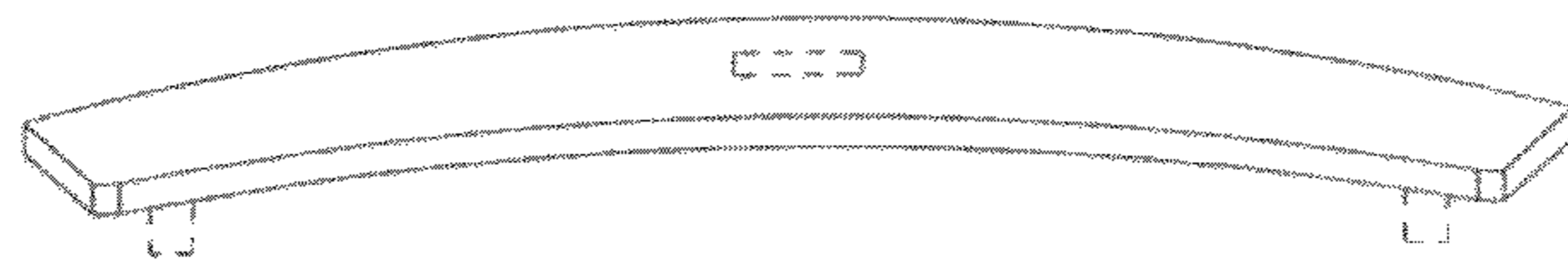


FIG. 3

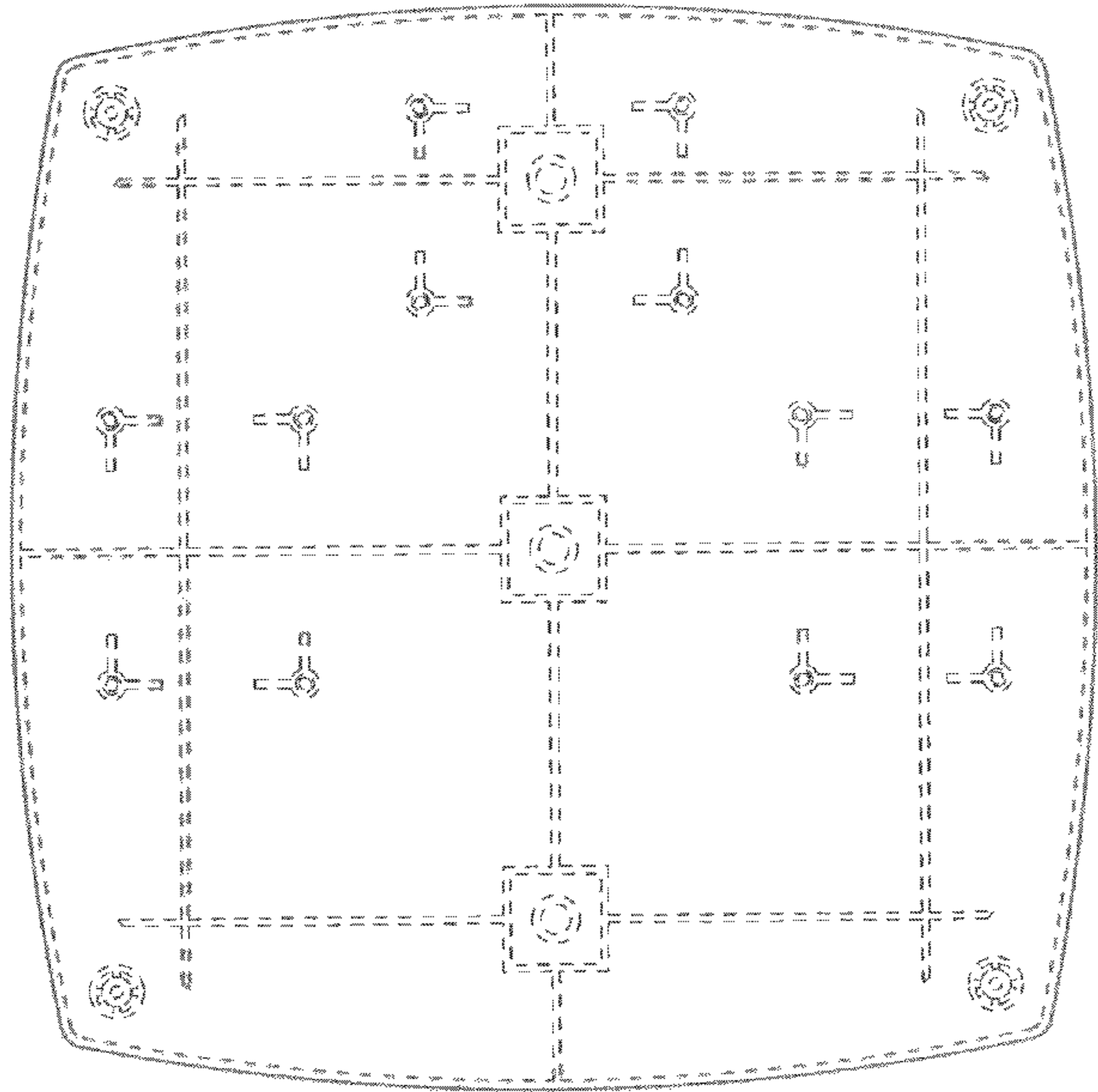


FIG. 2

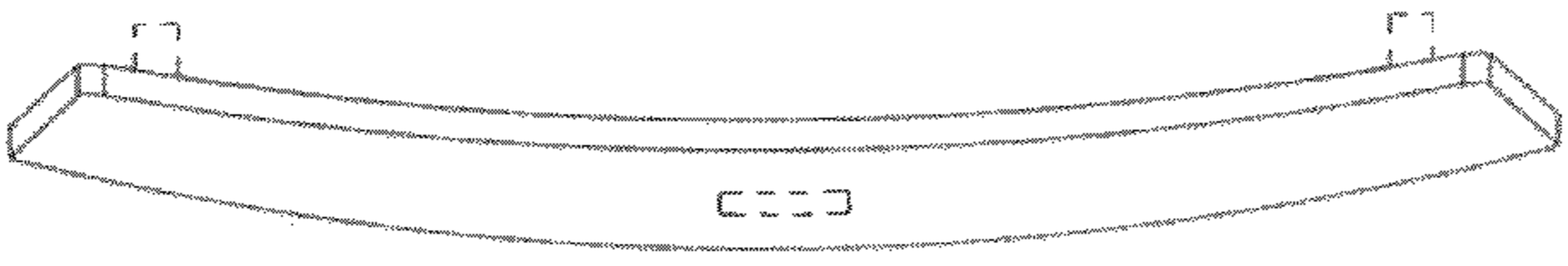


FIG. 4

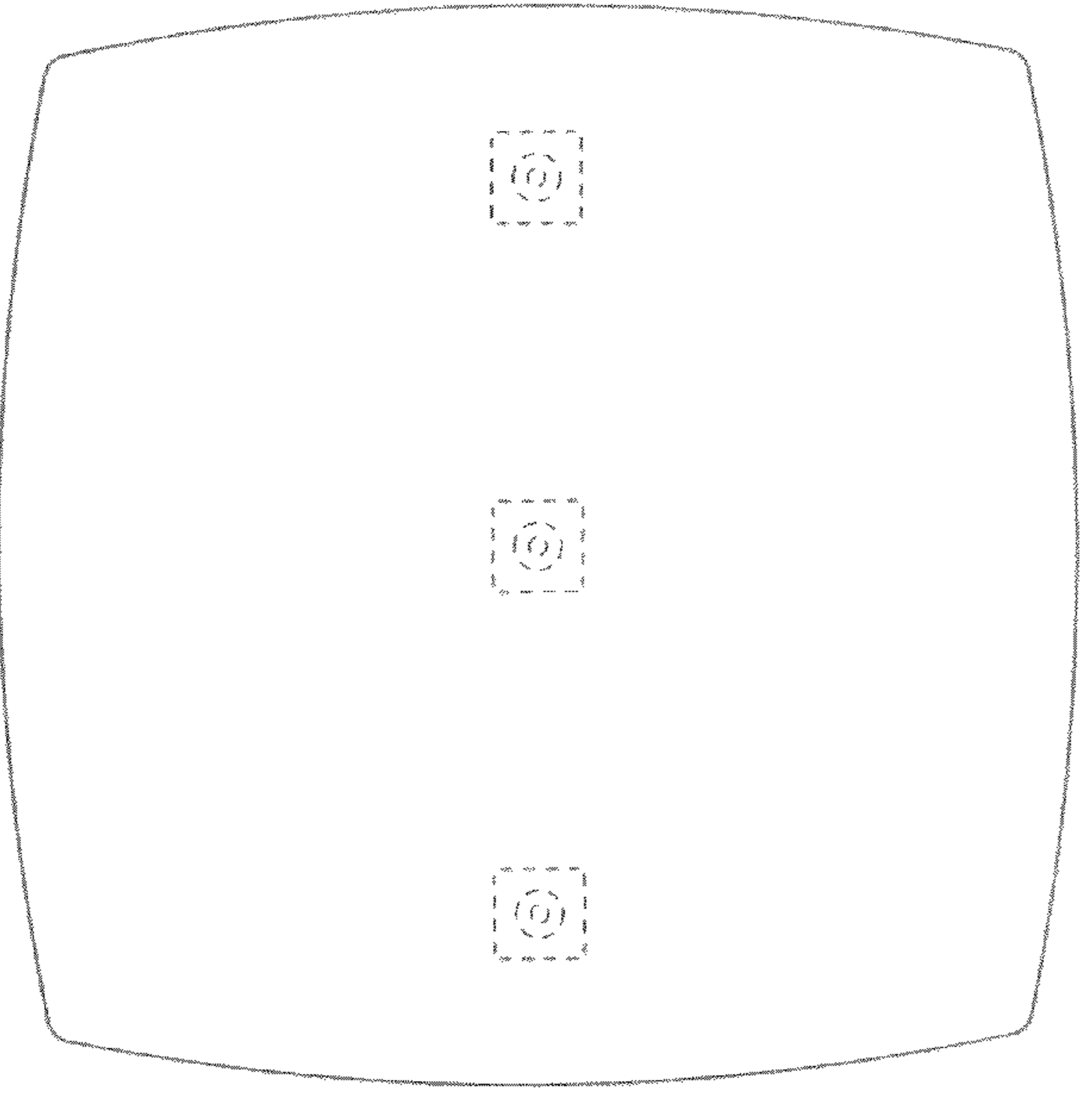


FIG. 7

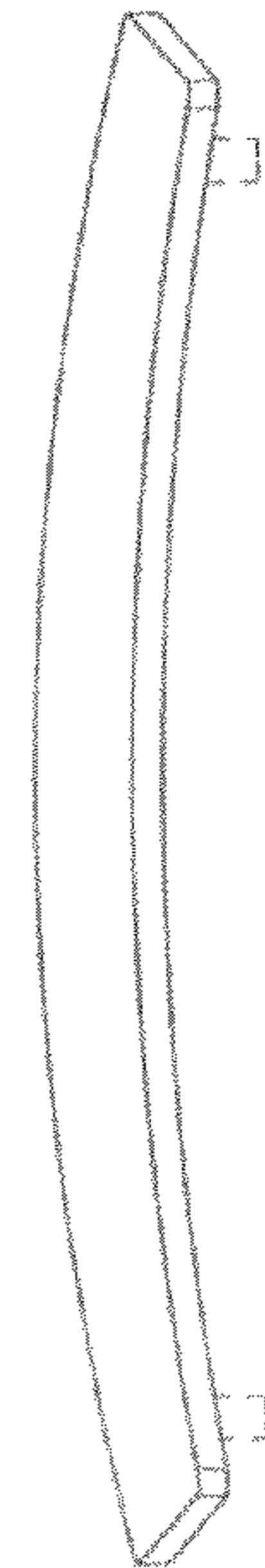


FIG. 6

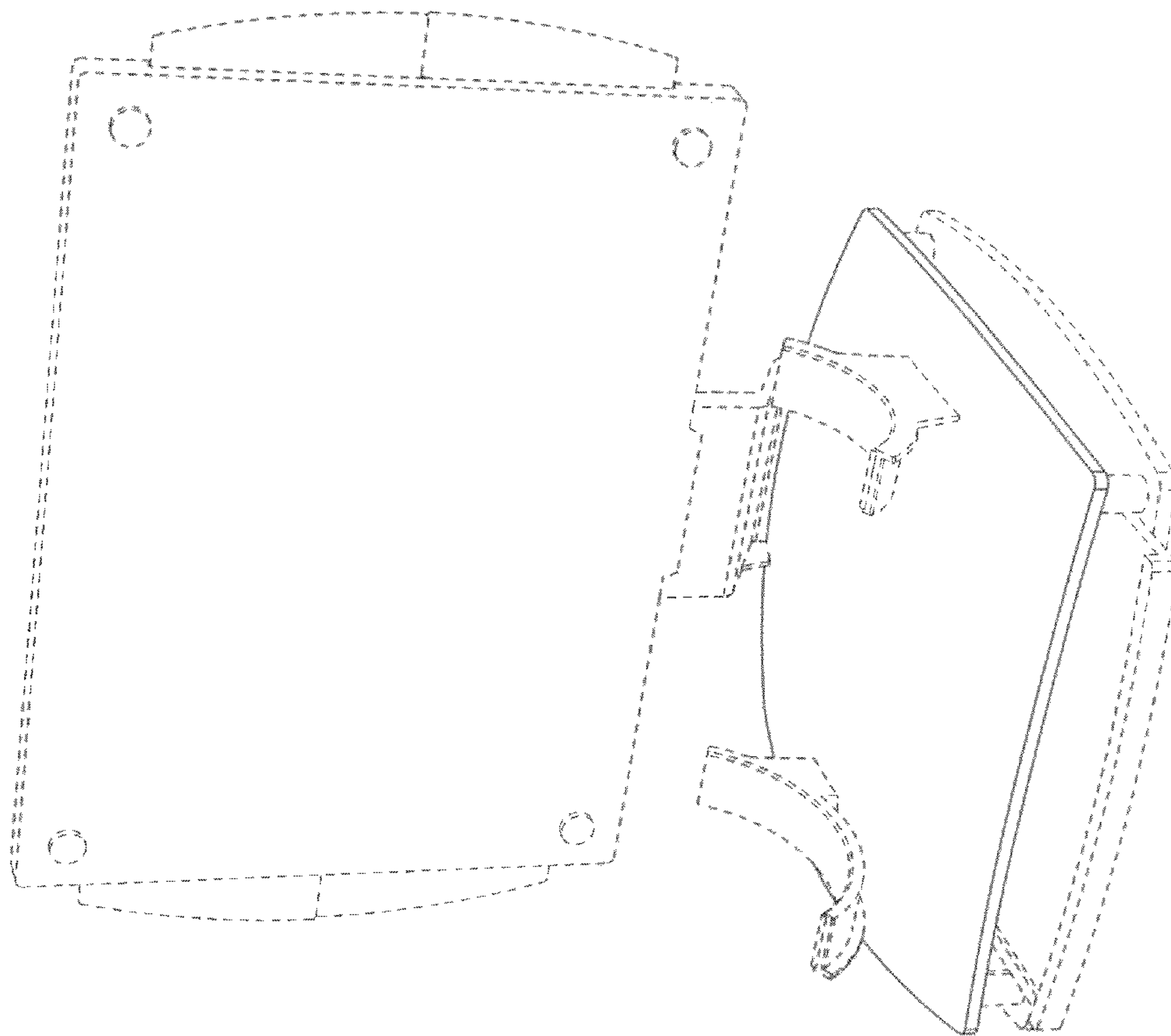


FIG. 8