

US00D722065S

(12) **United States Design Patent**  
**Zwerner et al.**

(10) **Patent No.:** **US D722,065 S**

(45) **Date of Patent:** **\*\* Feb. 3, 2015**

(54) **MONITOR PLATFORM**

(56) **References Cited**

(71) Applicant: **Evernote Corporation**, Redwood City, CA (US)

U.S. PATENT DOCUMENTS

(72) Inventors: **Jeffrey Zwerner**, San Francisco, CA (US); **Danielle Reid**, Redwood City, CA (US); **Eric Pfeiffer**, Oakland, CA (US); **John Barretto**, San Carlos, CA (US)

|           |    |   |         |                  |       |         |
|-----------|----|---|---------|------------------|-------|---------|
| D376,972  | S  | * | 12/1996 | Zissu            | ..... | D8/354  |
| 6,981,682 | B2 | * | 1/2006  | Kind             | ..... | 248/444 |
| D574,375  | S  | * | 8/2008  | Prest et al.     | ..... | D14/253 |
| D616,431  | S  | * | 5/2010  | Hijmans          | ..... | D14/253 |
| D618,692  | S  | * | 6/2010  | Deutsch et al.   | ..... | D14/447 |
| D636,395  | S  | * | 4/2011  | Anderson et al.  | ..... | D14/434 |
| D640,708  | S  | * | 6/2011  | Lee              | ..... | D14/447 |
| D645,865  | S  | * | 9/2011  | Diehl            | ..... | D14/432 |
| D647,881  | S  | * | 11/2011 | Warner           | ..... | D14/217 |
| D658,167  | S  | * | 4/2012  | Buesseler et al. | ..... | D14/251 |
| D677,260  | S  | * | 3/2013  | Hong et al.      | ..... | D14/447 |
| D681,646  | S  | * | 5/2013  | Ide              | ..... | D14/447 |
| D693,826  | S  | * | 11/2013 | Ashida et al.    | ..... | D14/447 |

(73) Assignee: **Evernote Corporation**, Redwood City, CA (US)

(\*\*) Term: **14 Years**

\* cited by examiner

(21) Appl. No.: **29/495,616**

*Primary Examiner* — Angela J Lee

(22) Filed: **Jul. 2, 2014**

(74) *Attorney, Agent, or Firm* — Muirhead and Saturnelli, LLC

(51) **LOC (10) Cl.** ..... **08-07**

(57) **CLAIM**

The ornamental design for a monitor platform, as shown and described.

(52) **U.S. Cl.**

**DESCRIPTION**

USPC ..... **D14/447**

(58) **Field of Classification Search**

USPC ..... D14/447, 432, 434, 439, 440, 451, 452, D14/239, 251, 253, 217; D6/406.3, 406.4, D6/406.5; D3/218; D12/415; 248/917-924, 445, 447, 451, 455, 460, 248/150, 188.6, 176.1; 361/679.09, 679.21, 361/679.22, 679.26, 679.3, 679.55, 679.56

FIG. 1 is a perspective view of the new design for a monitor platform.

FIG. 2 is a front elevational view thereof.

FIG. 3 is a right side elevational view thereof.

FIG. 4 is a rear elevational view thereof.

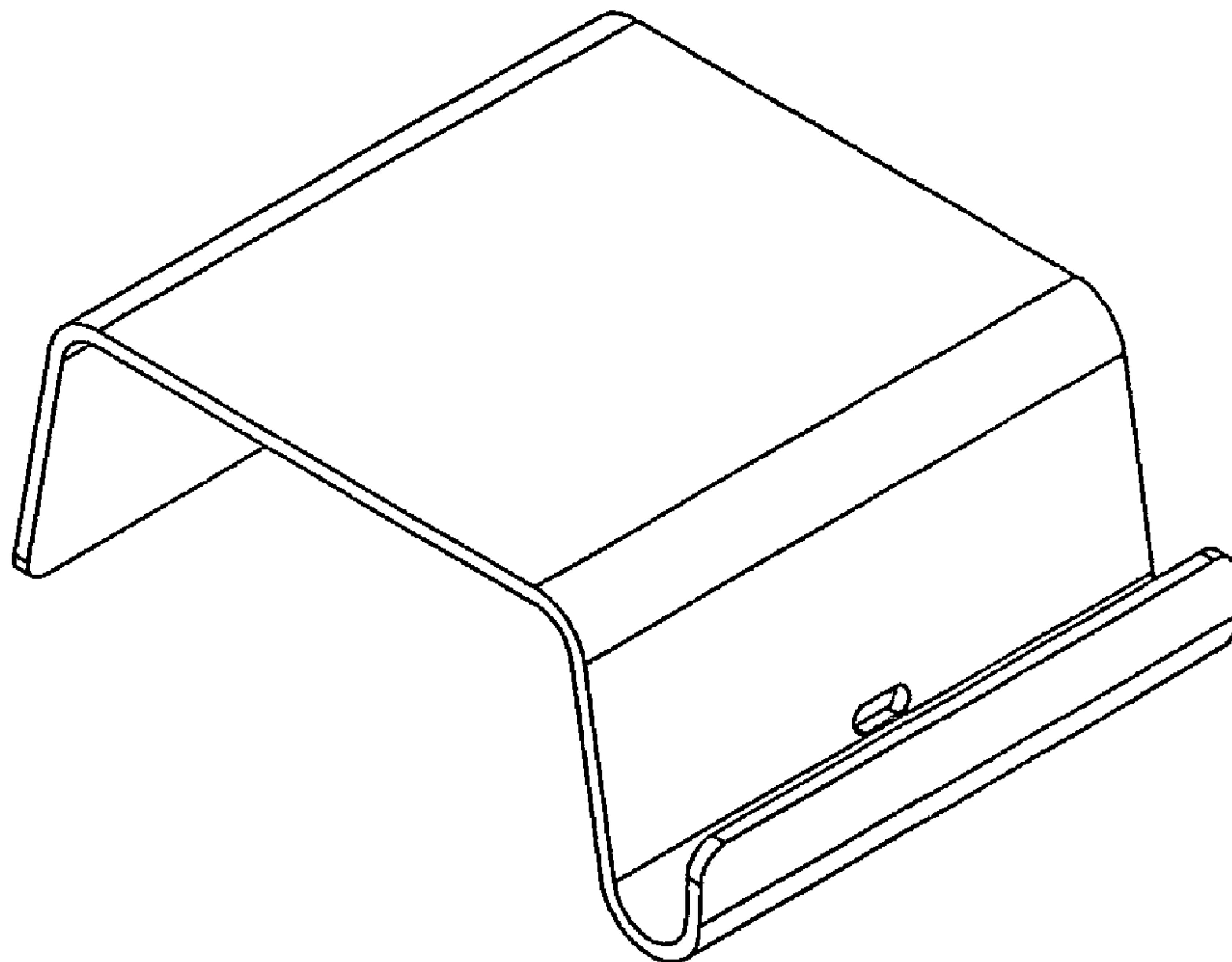
FIG. 5 is a left side elevational view thereof.

FIG. 6 is a top plan view thereof; and,

FIG. 7 is a bottom plan view thereof.

See application file for complete search history.

**1 Claim, 7 Drawing Sheets**



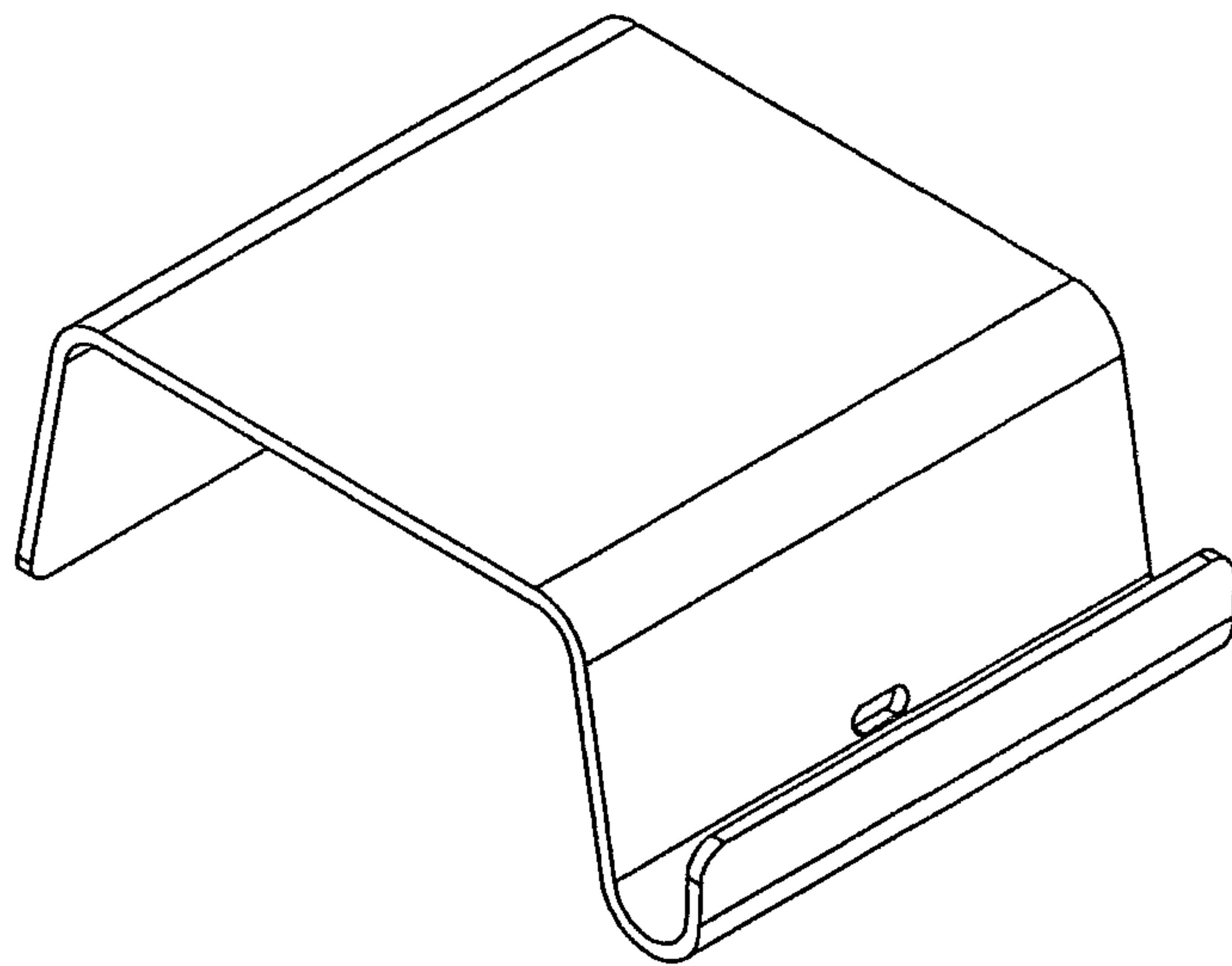


FIG. 1

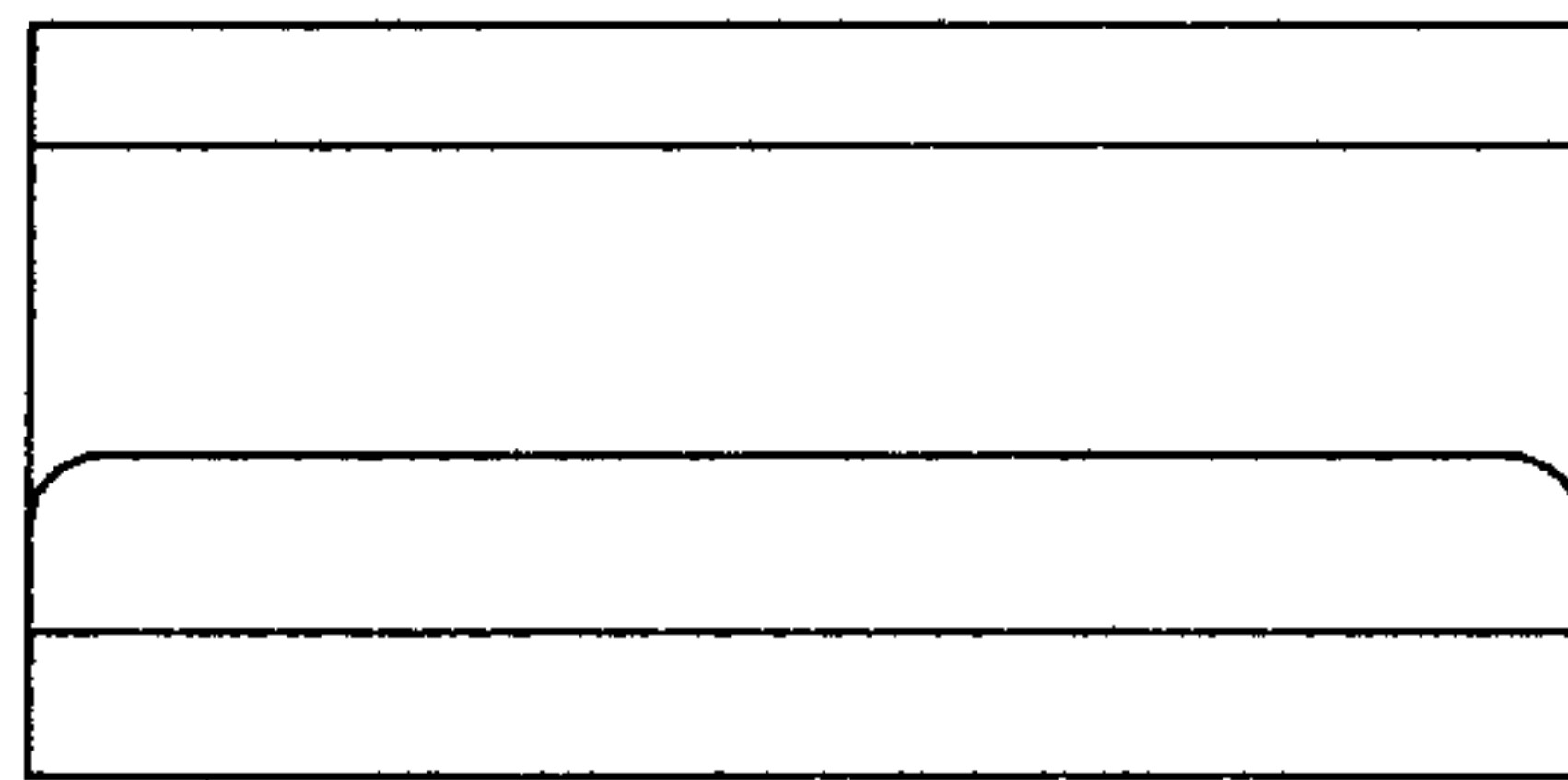


FIG. 2

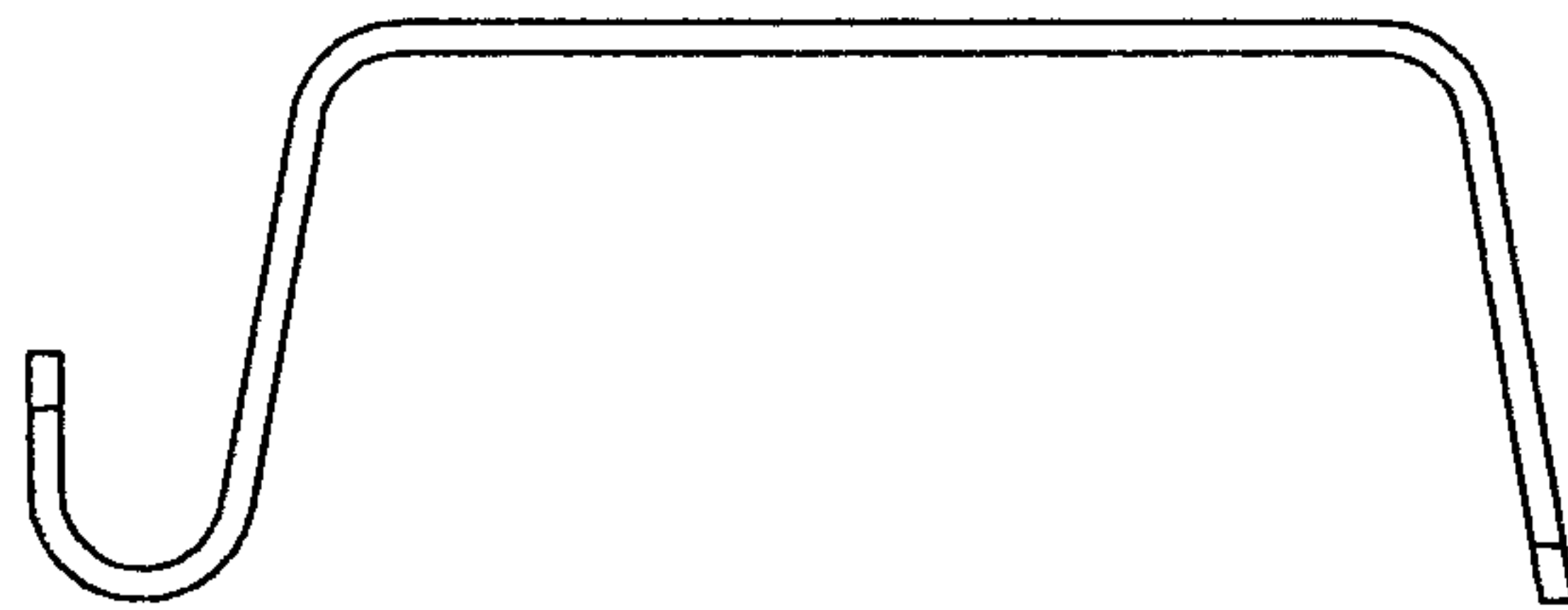


FIG. 3

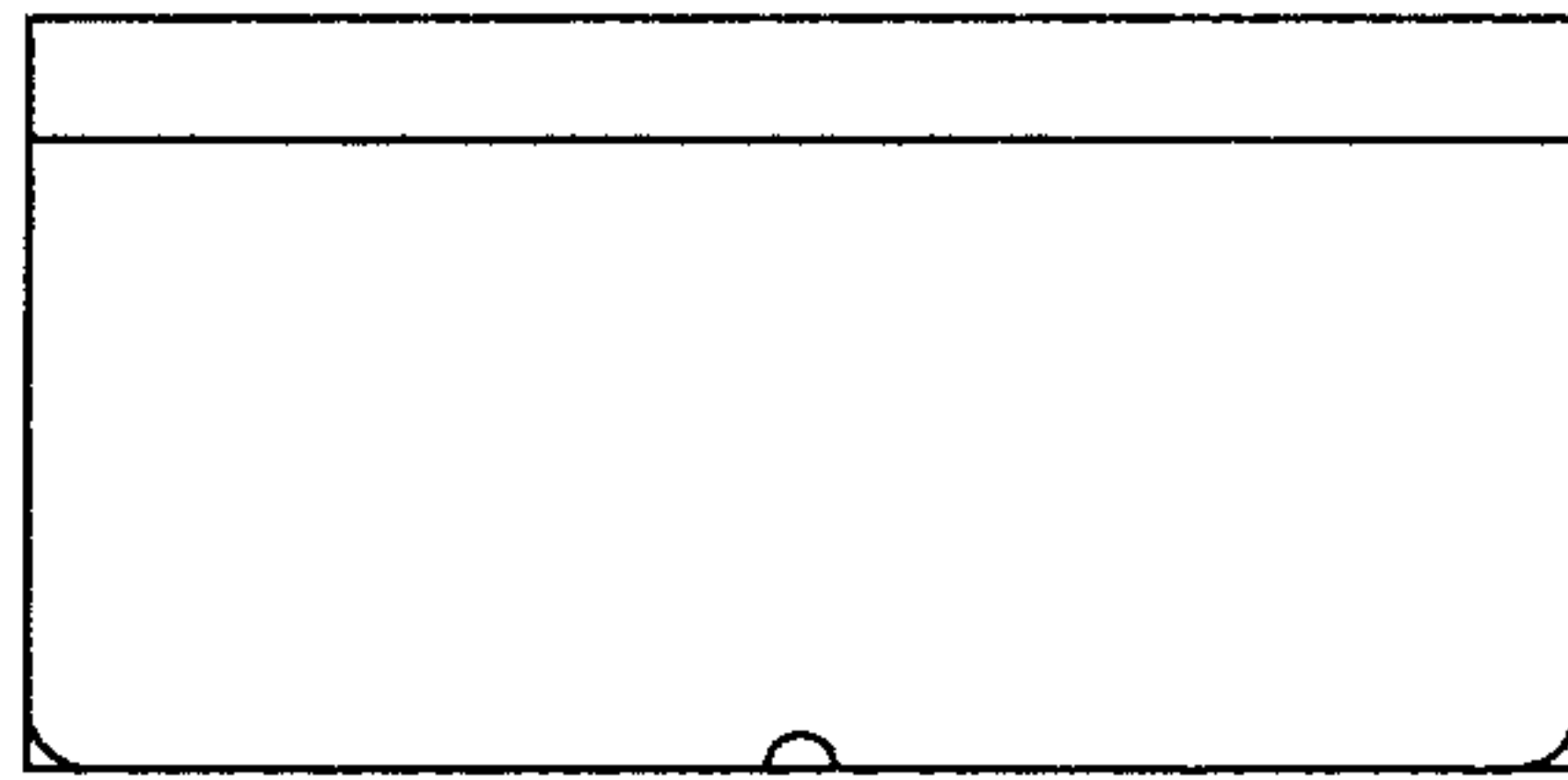


FIG. 4

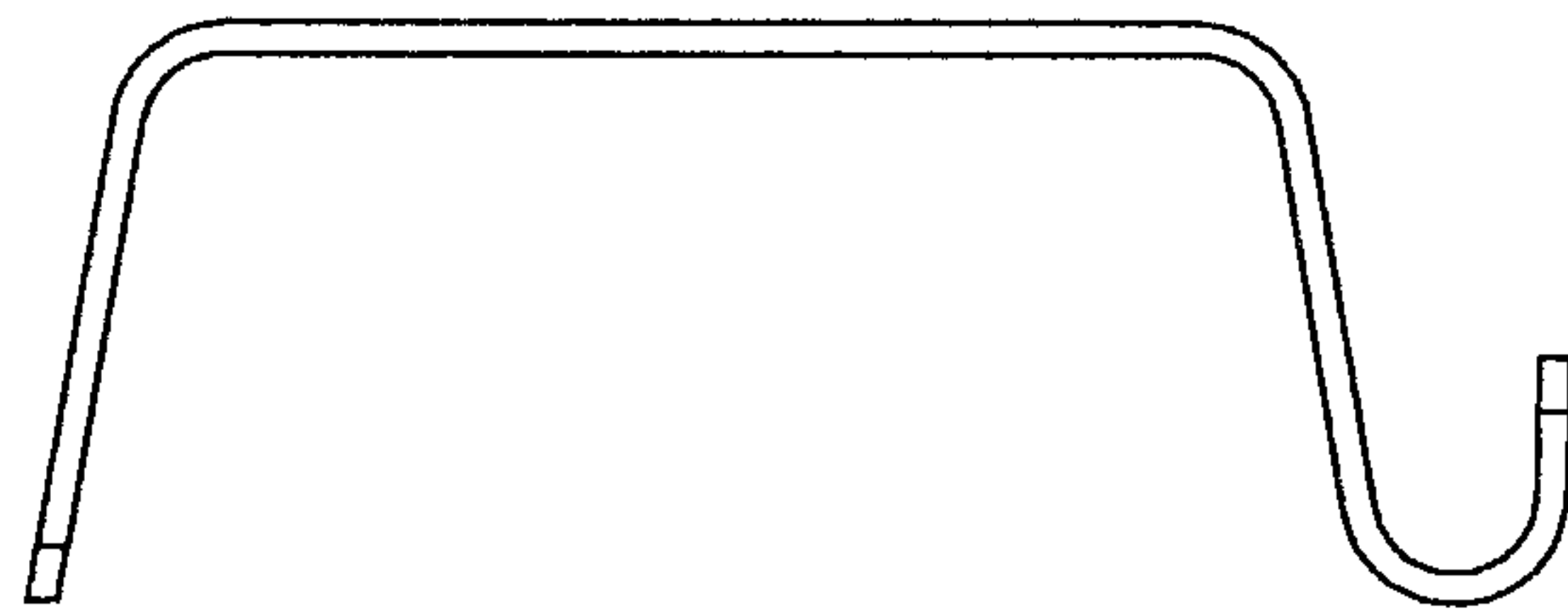


FIG. 5

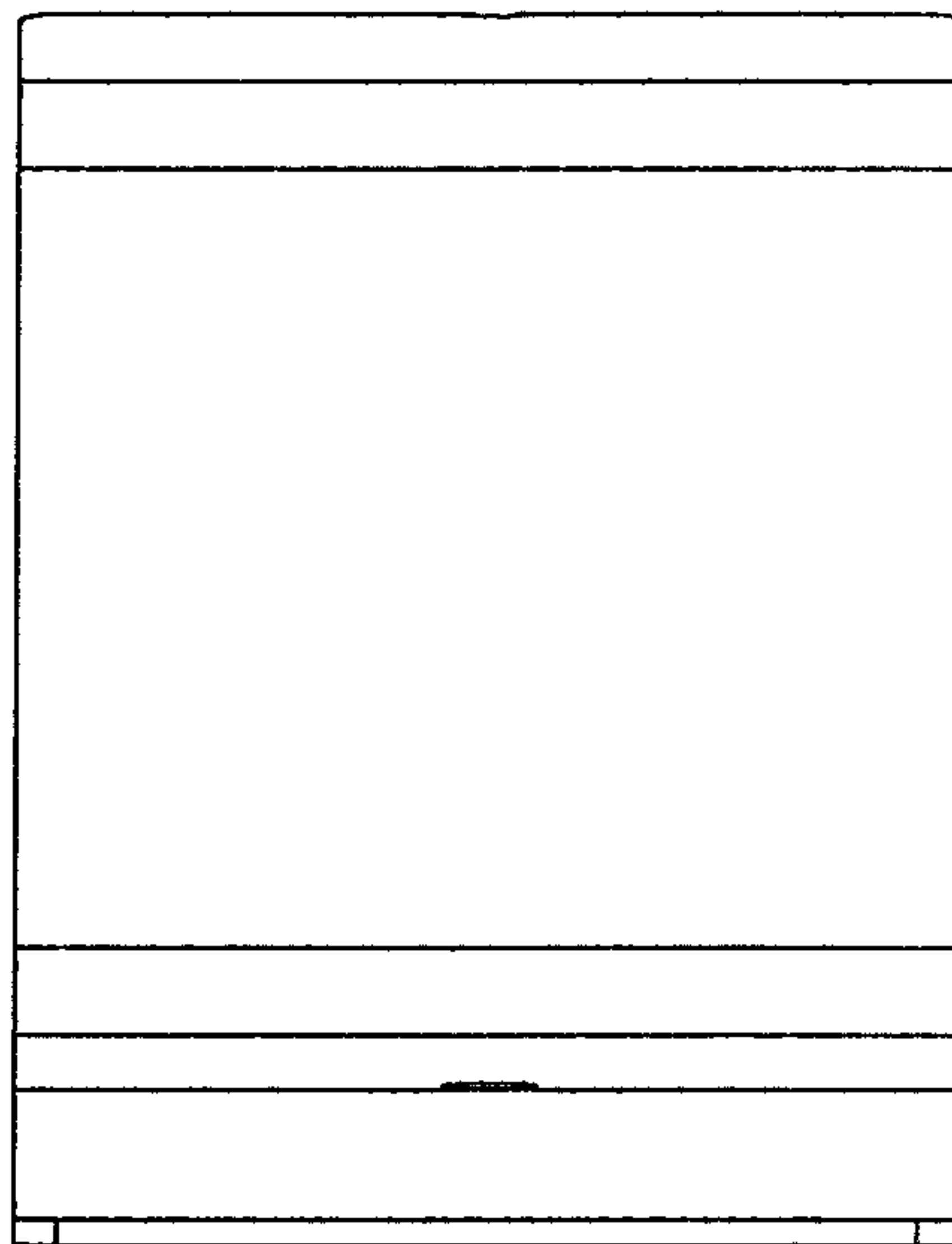


FIG. 6

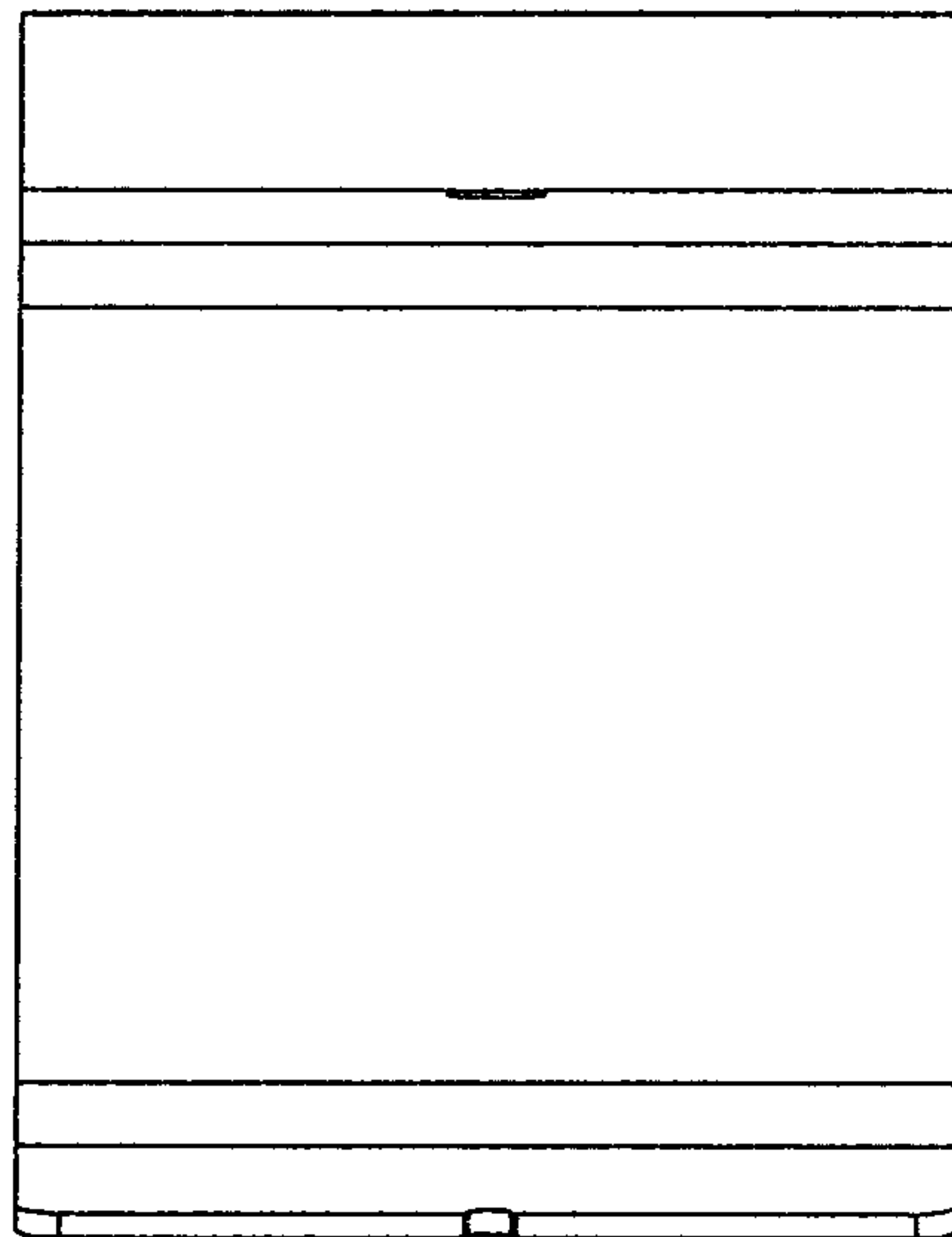


FIG. 7