



US00D722064S

(12) **United States Design Patent**
Zwerner et al.

(10) **Patent No.:** **US D722,064 S**
(45) **Date of Patent:** **** Feb. 3, 2015**

(54) **LAPTOP PLATFORM**

(71) Applicant: **Evernote Corporation**, Redwood City, CA (US)

(72) Inventors: **Jeffrey Zwerner**, San Francisco, CA (US); **Danielle Reid**, Redwood City, CA (US); **Eric Pfeiffer**, Oakland, CA (US); **John Barretto**, San Carlos, CA (US)

(73) Assignee: **Evernote Corporation**, Redwood City, CA (US)

(**) Term: **14 Years**

(21) Appl. No.: **29/495,615**

(22) Filed: **Jul. 2, 2014**

(51) **LOC (10) Cl.** **08-07**

(52) **U.S. Cl.**
USPC **D14/447**

(58) **Field of Classification Search**
USPC D14/447, 432, 434, 439, 440, 451, 452, D14/239, 251, 253, 217; D6/406.3, 406.4, D6/406.5; D3/218; D12/415; 248/917-924, 445, 447, 451, 455, 460, 248/150, 188.6, 176.1; 361/679.09, 679.21, 361/679.22, 679.26, 679.3, 679.55, 679.56
See application file for complete search history.

(56) **References Cited**

U.S. PATENT DOCUMENTS

D376,972 S * 12/1996 Zissu D8/354
6,981,682 B2 * 1/2006 Kind 248/444

D574,375 S * 8/2008 Prest et al. D14/253
D616,431 S * 5/2010 Hijmans D14/253
D618,692 S * 6/2010 Deutsch et al. D14/447
D636,395 S * 4/2011 Anderson et al. D14/434
D640,708 S * 6/2011 Lee D14/447
D645,865 S * 9/2011 Diehl D14/432
D647,881 S * 11/2011 Warner D14/217
D658,167 S * 4/2012 Buesseler et al. D14/251
D677,260 S * 3/2013 Hong et al. D14/447
D681,646 S * 5/2013 Ide D14/447
D693,826 S * 11/2013 Ashida et al. D14/447

* cited by examiner

Primary Examiner — Angela J Lee

(74) *Attorney, Agent, or Firm* — Muirhead and Saturnelli, LLC

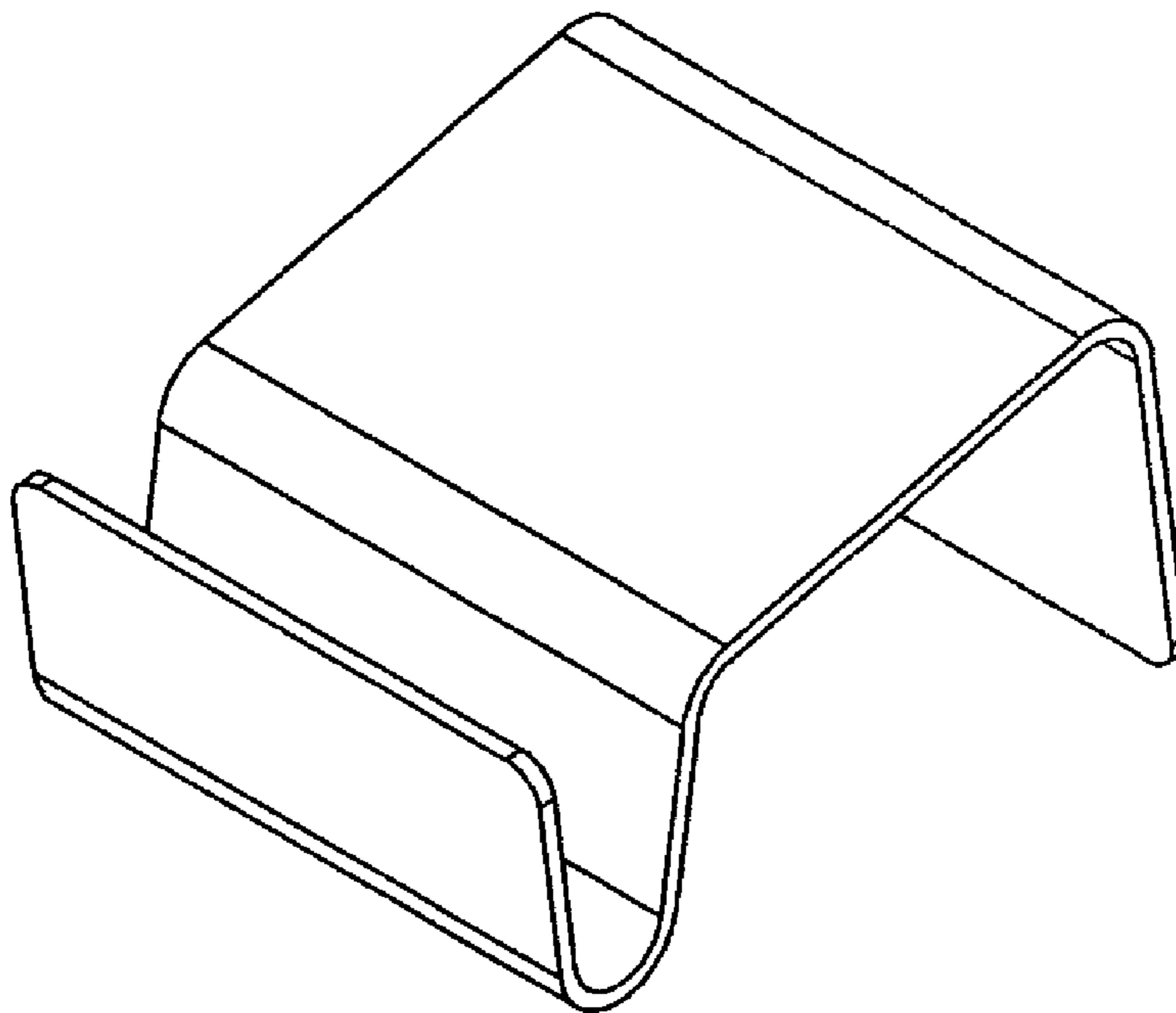
(57) **CLAIM**

The ornamental design for a laptop platform, as shown and described.

DESCRIPTION

FIG. 1 is a perspective view of the new design for a laptop platform.
FIG. 2 is a front elevational view thereof.
FIG. 3 is a right side elevational view thereof.
FIG. 4 is a rear elevational view thereof.
FIG. 5 is a left side elevational view thereof.
FIG. 6 is a top plan view thereof; and,
FIG. 7 is a bottom plan view thereof.

1 Claim, 7 Drawing Sheets



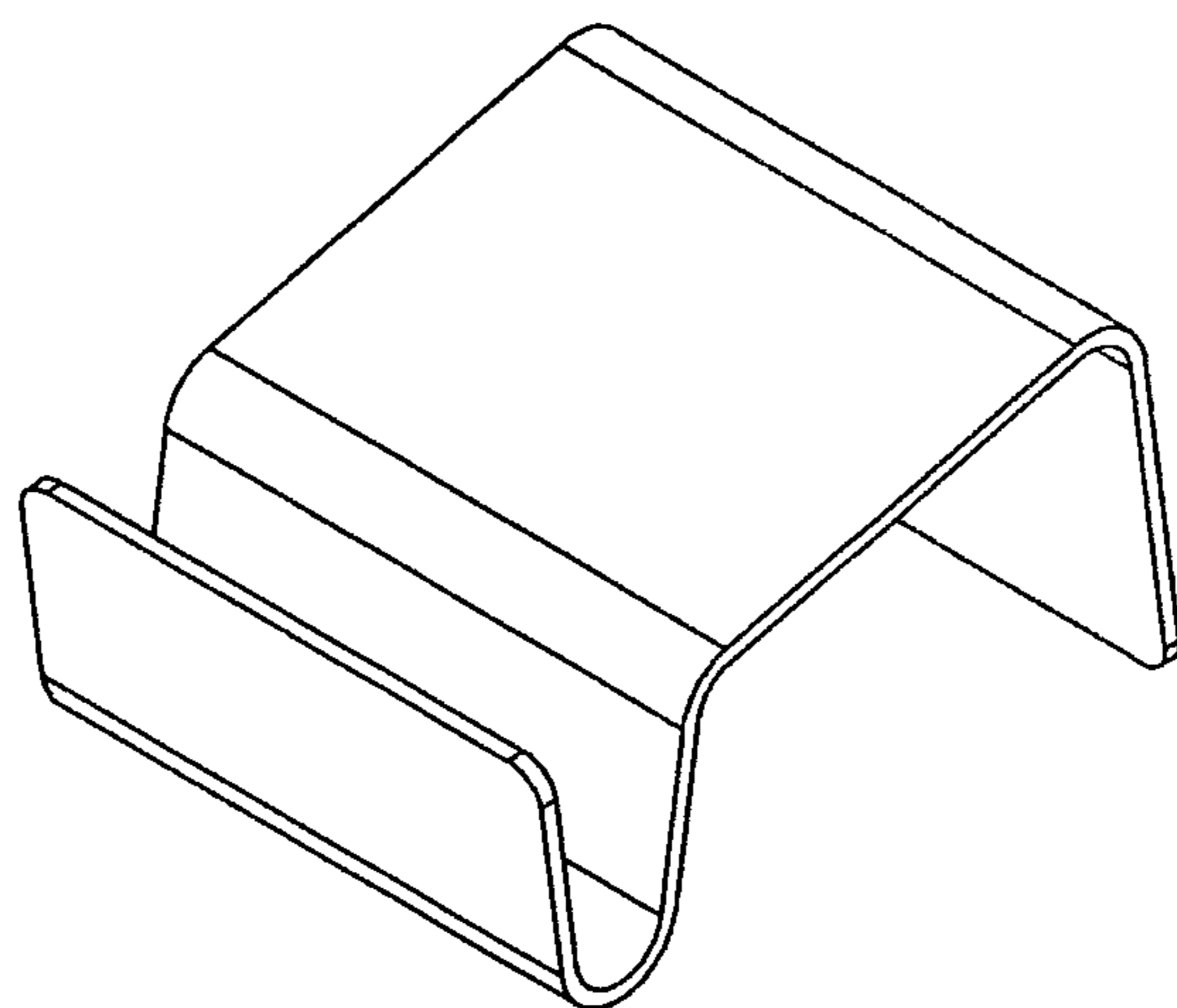


FIG. 1

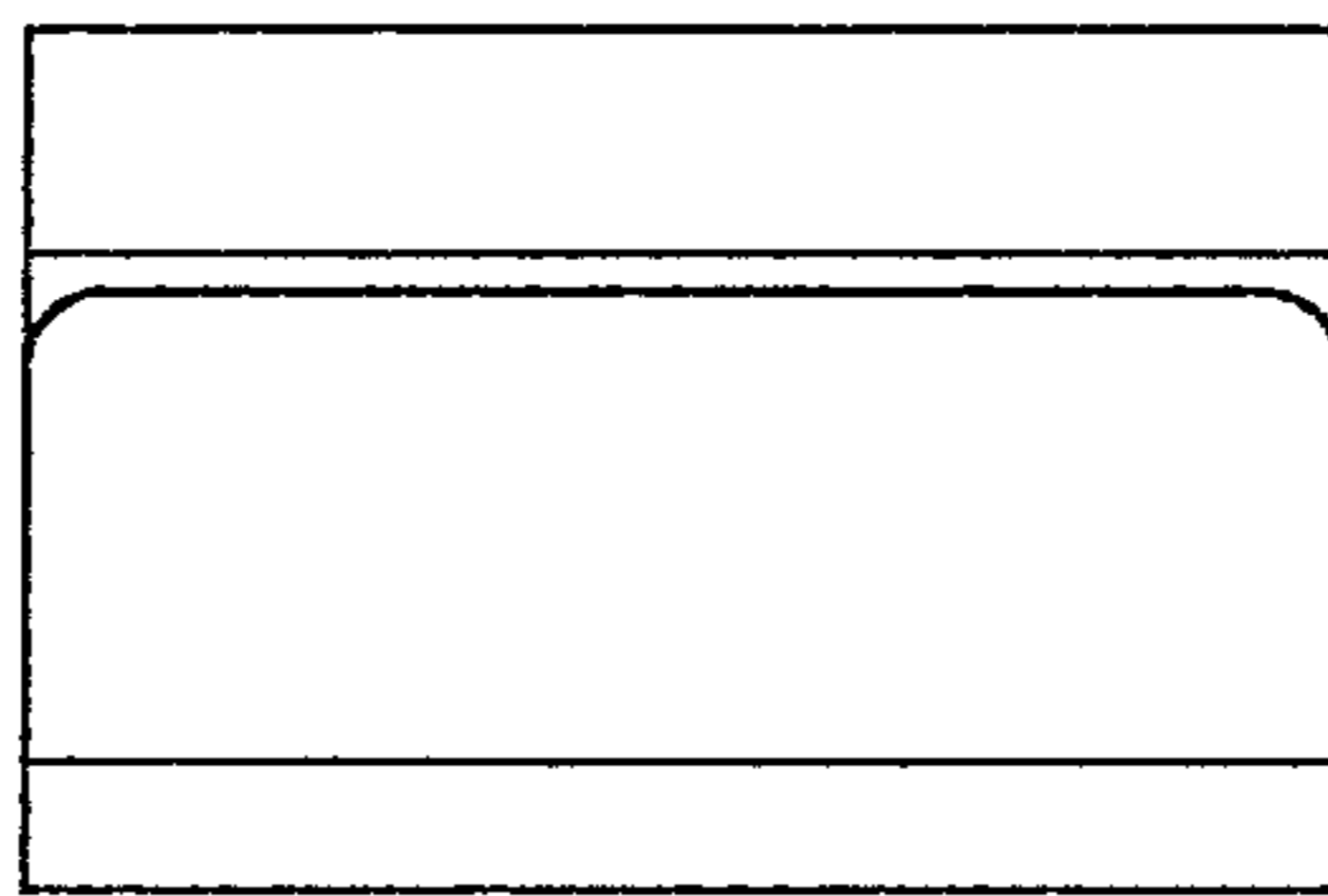


FIG. 2

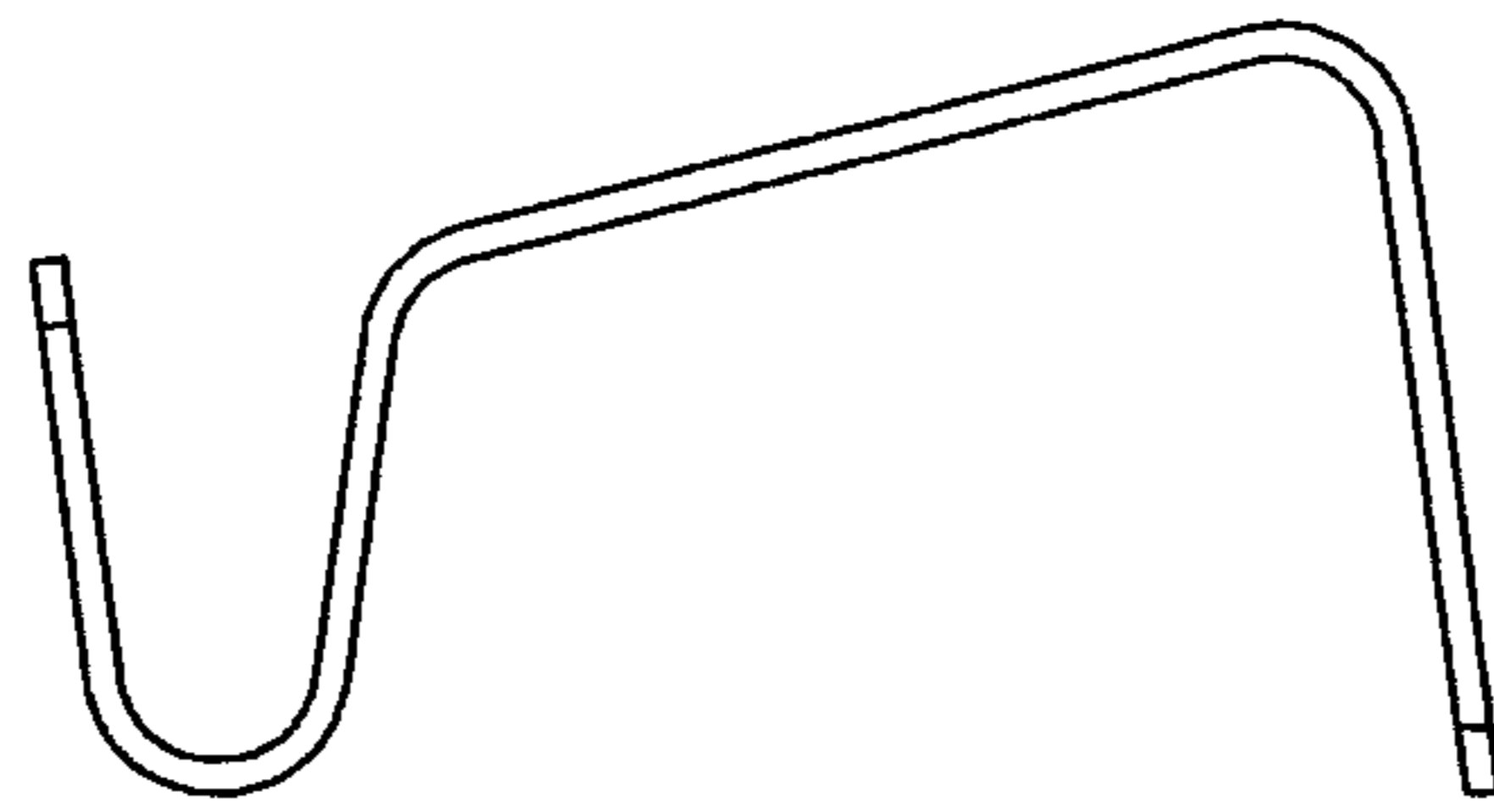


FIG. 3

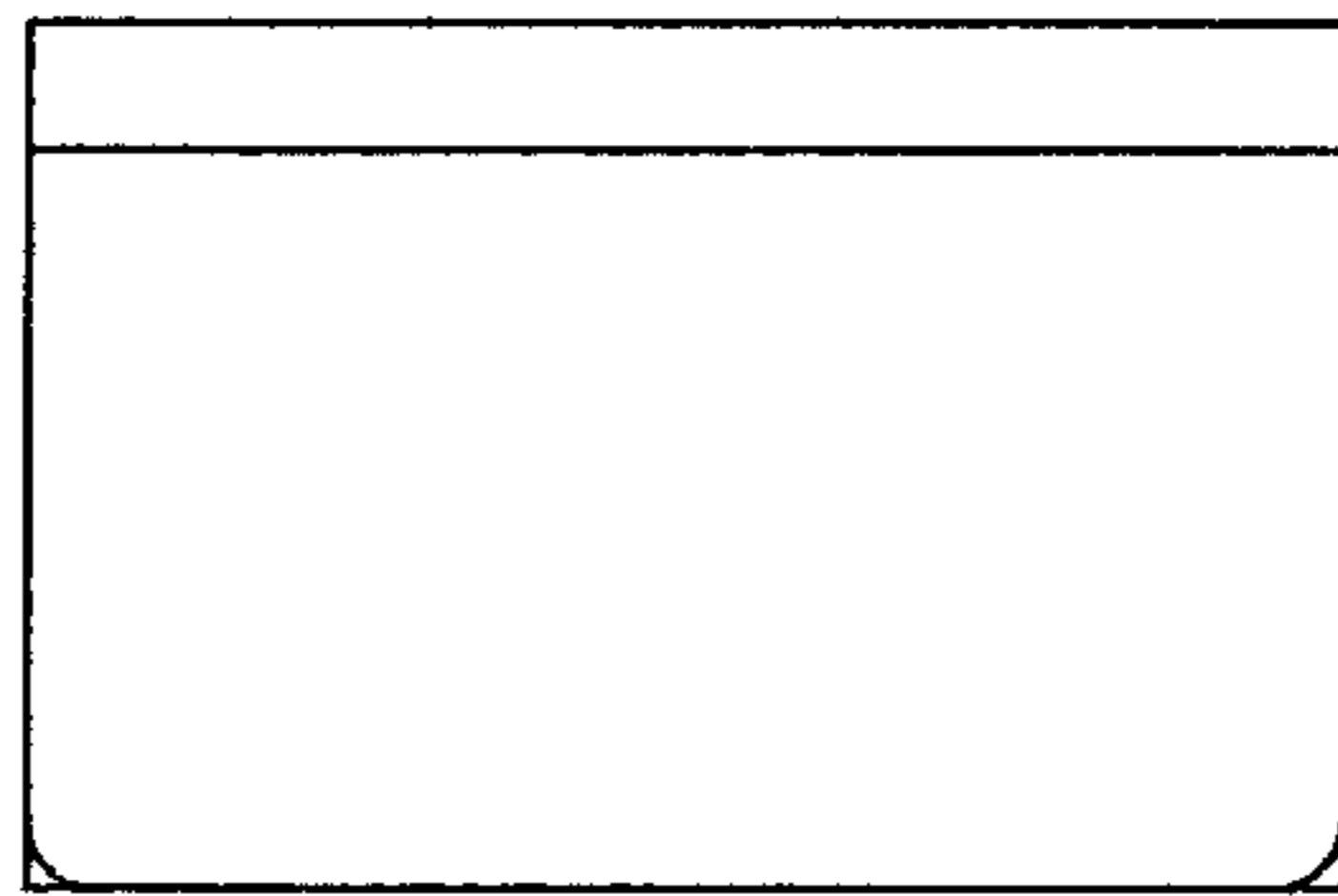


FIG. 4

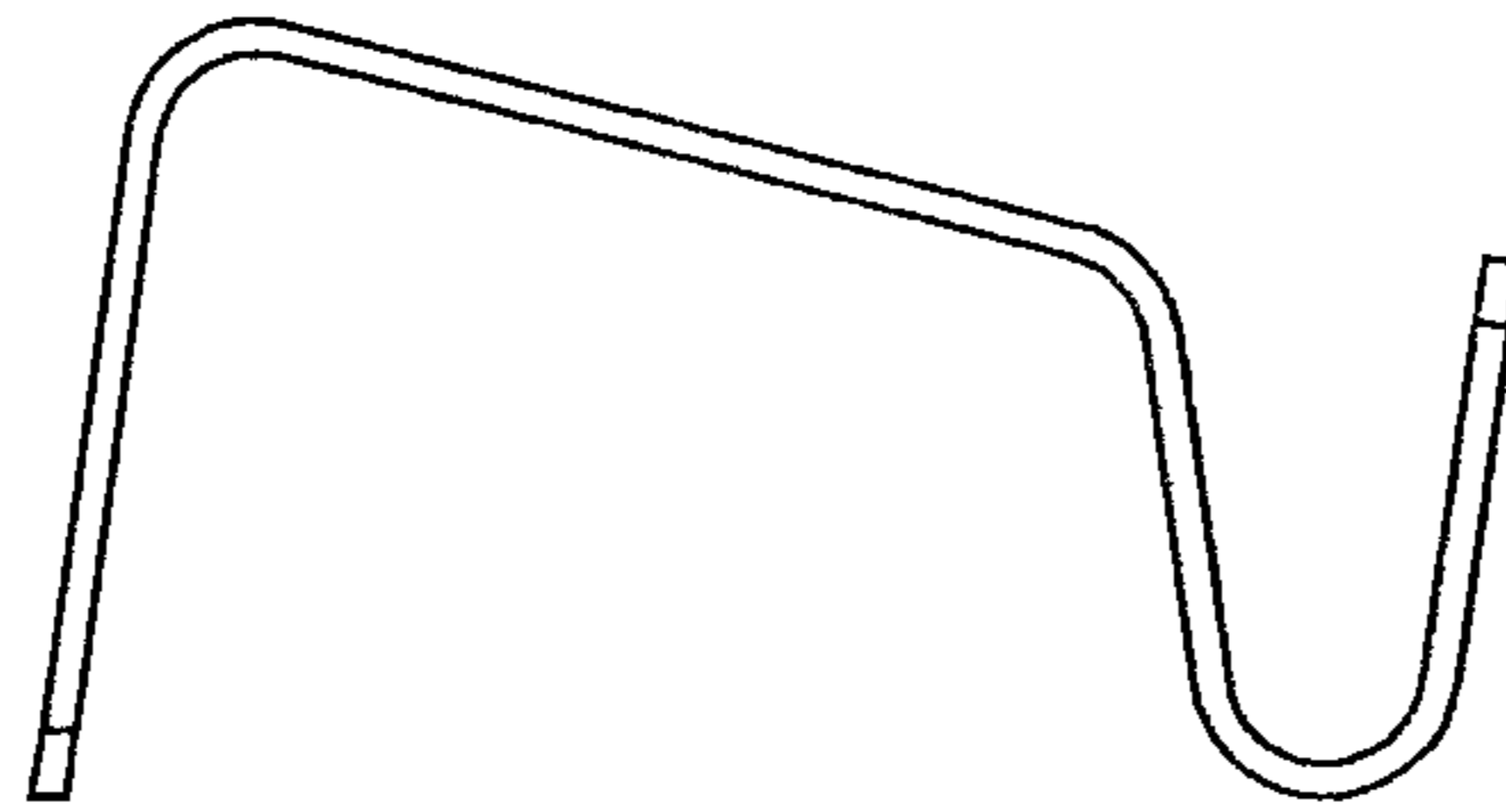


FIG. 5

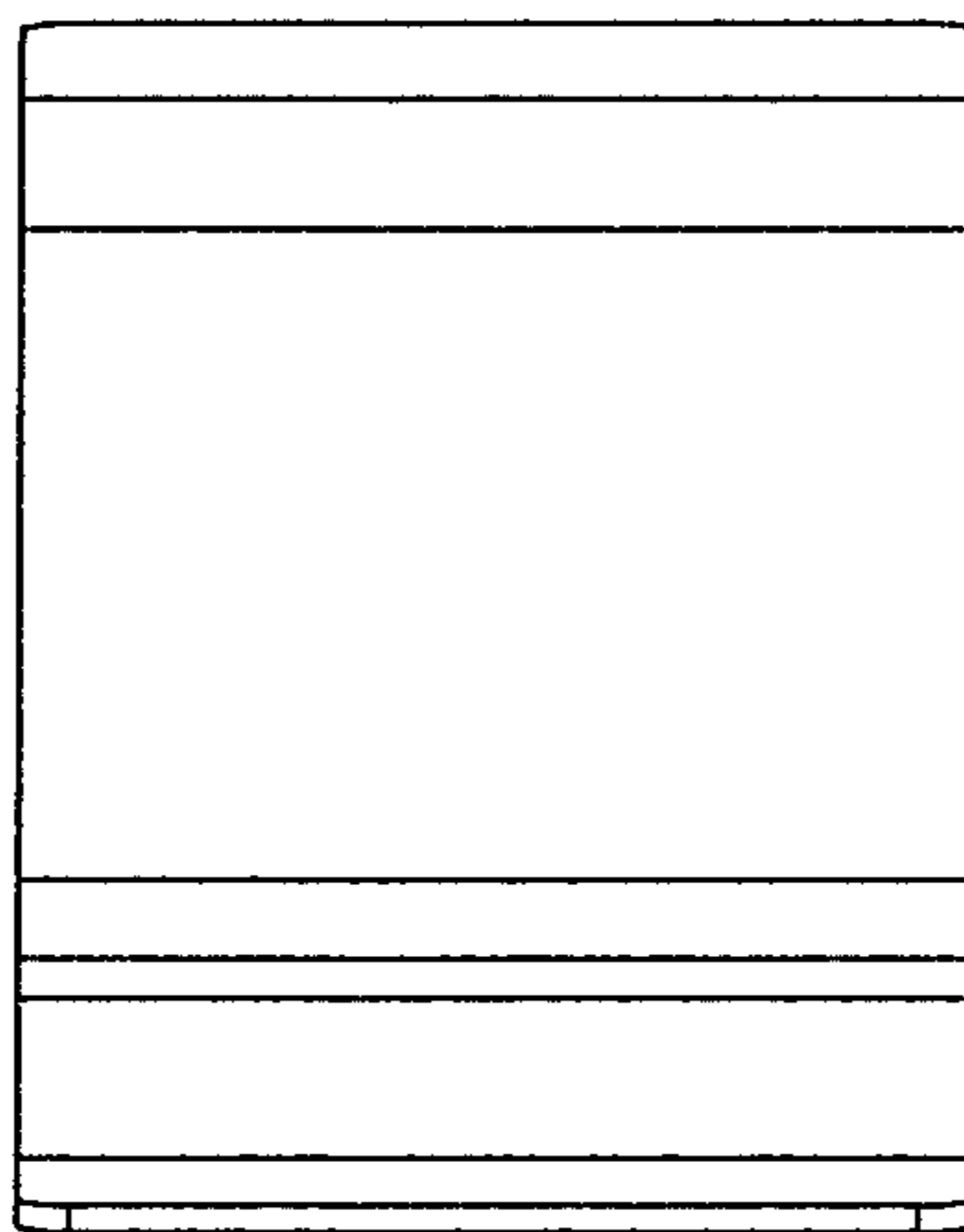


FIG. 6

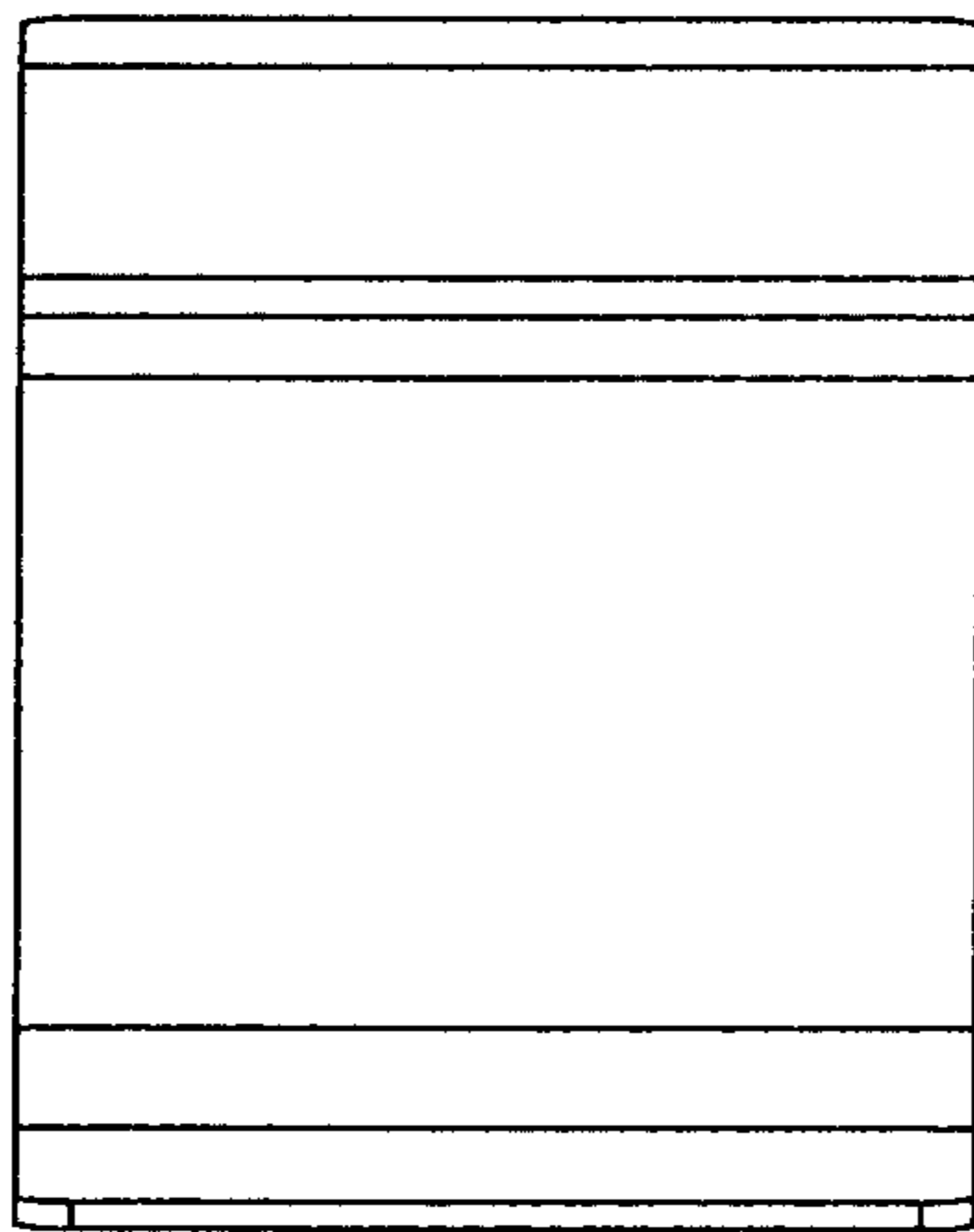


FIG. 7