



US00D722062S

(12) **United States Design Patent**  
**Zwerner et al.**

(10) **Patent No.:** **US D722,062 S**  
(45) **Date of Patent:** **\*\* Feb. 3, 2015**

(54) **TABLET DISH**

(71) Applicant: **Evernote Corporation**, Redwood City, CA (US)  
(72) Inventors: **Jeffrey Zwerner**, San Francisco, CA (US); **Danielle Reid**, Redwood City, CA (US); **Eric Pfeiffer**, Oakland, CA (US); **John Barretto**, San Carlos, CA (US)  
(73) Assignee: **Evernote Corporation**, Redwood City, CA (US)

(\*\*) Term: **14 Years**

(21) Appl. No.: **29/495,609**

(22) Filed: **Jul. 2, 2014**

(51) **LOC (10) Cl.** ..... **08-07**

(52) **U.S. Cl.**  
USPC ..... **D14/447**

(58) **Field of Classification Search**  
USPC ..... D14/447, 432, 434, 439, 440, 451, 452, D14/239, 251, 253, 217; D6/406.3, 406.4, D6/406.5; D3/218; D12/415; 248/917-924, 445, 447, 451, 455, 460, 248/150, 188.6, 176.1; 361/679.09, 679.21, 361/679.22, 679.26, 679.3, 679.55, 679.56

See application file for complete search history.

(56) **References Cited**

U.S. PATENT DOCUMENTS

D281,064 S *	10/1985	Scheid .....	D13/107
D647,881 S *	11/2011	Warner .....	D14/217
D652,043 S *	1/2012	Lee .....	D14/447
D653,666 S *	2/2012	Zhou .....	D14/434
D671,543 S *	11/2012	Sogabe .....	D14/447
D672,350 S *	12/2012	Gioscia et al. ....	D14/434
D684,963 S *	6/2013	Goodrich .....	D14/253
D685,322 S *	7/2013	Szymanski et al. ....	D13/108
D685,795 S *	7/2013	Paschke et al. ....	D14/434
D692,009 S *	10/2013	Ashida et al. ....	D14/447
D711,885 S *	8/2014	Ohshima et al. ....	D14/434
D712,369 S *	9/2014	Yoshida .....	D14/142
2013/0217448 A1 *	8/2013	Kim et al. ....	455/575.1

\* cited by examiner

*Primary Examiner* — Angela J Lee

(74) *Attorney, Agent, or Firm* — Muirhead and Saturnelli, LLC

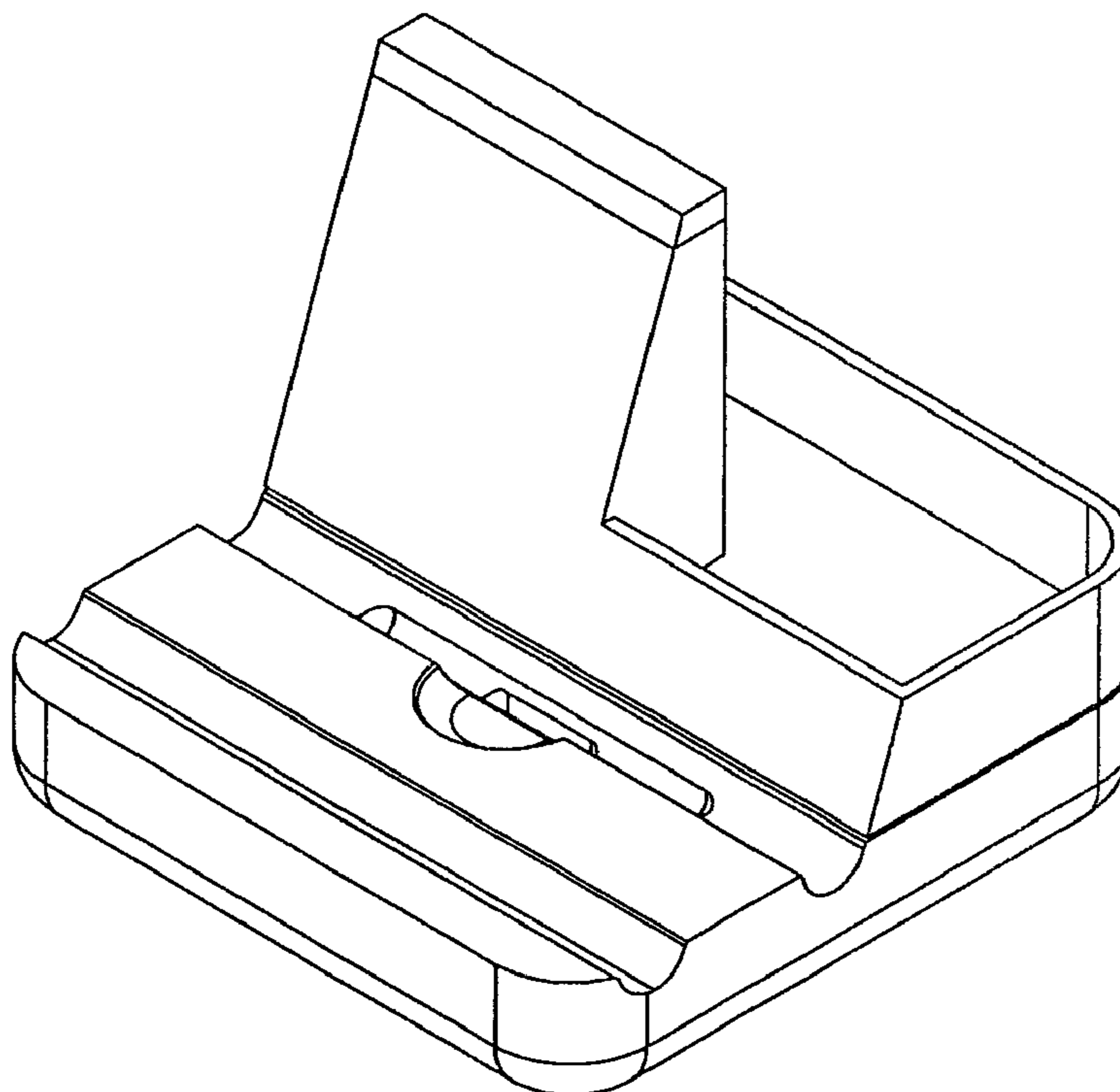
(57) **CLAIM**

The ornamental design for a tablet dish, as shown and described.

**DESCRIPTION**

FIG. 1 is a perspective view of the new design for a tablet dish. FIG. 2 is a front elevational view thereof. FIG. 3 is a right side elevational view thereof. FIG. 4 is a rear elevational view thereof. FIG. 5 is a left side elevational view thereof. FIG. 6 is a top plan view thereof; and, FIG. 7 is a bottom plan view thereof.

**1 Claim, 7 Drawing Sheets**



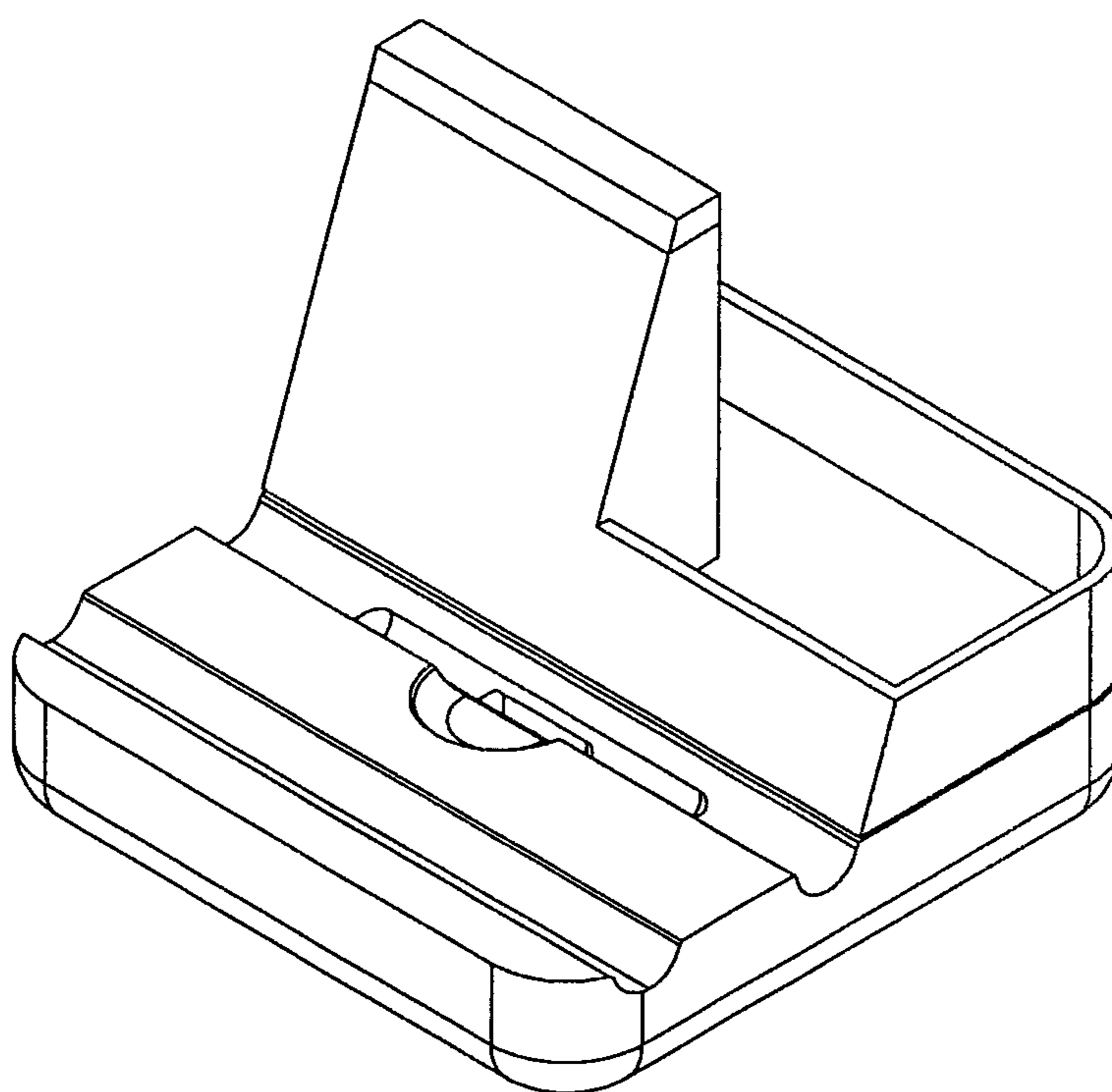


FIG. 1

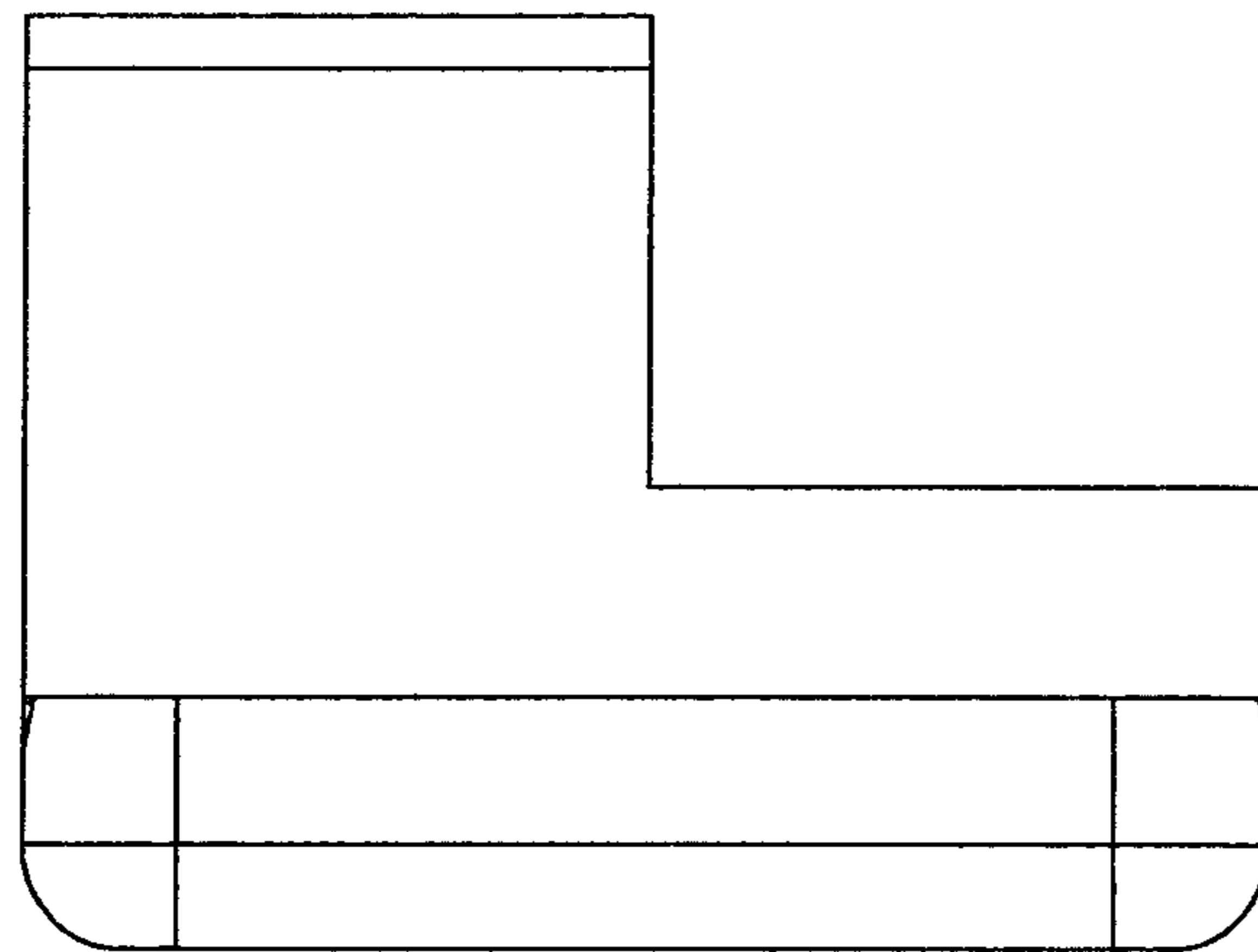


FIG. 2

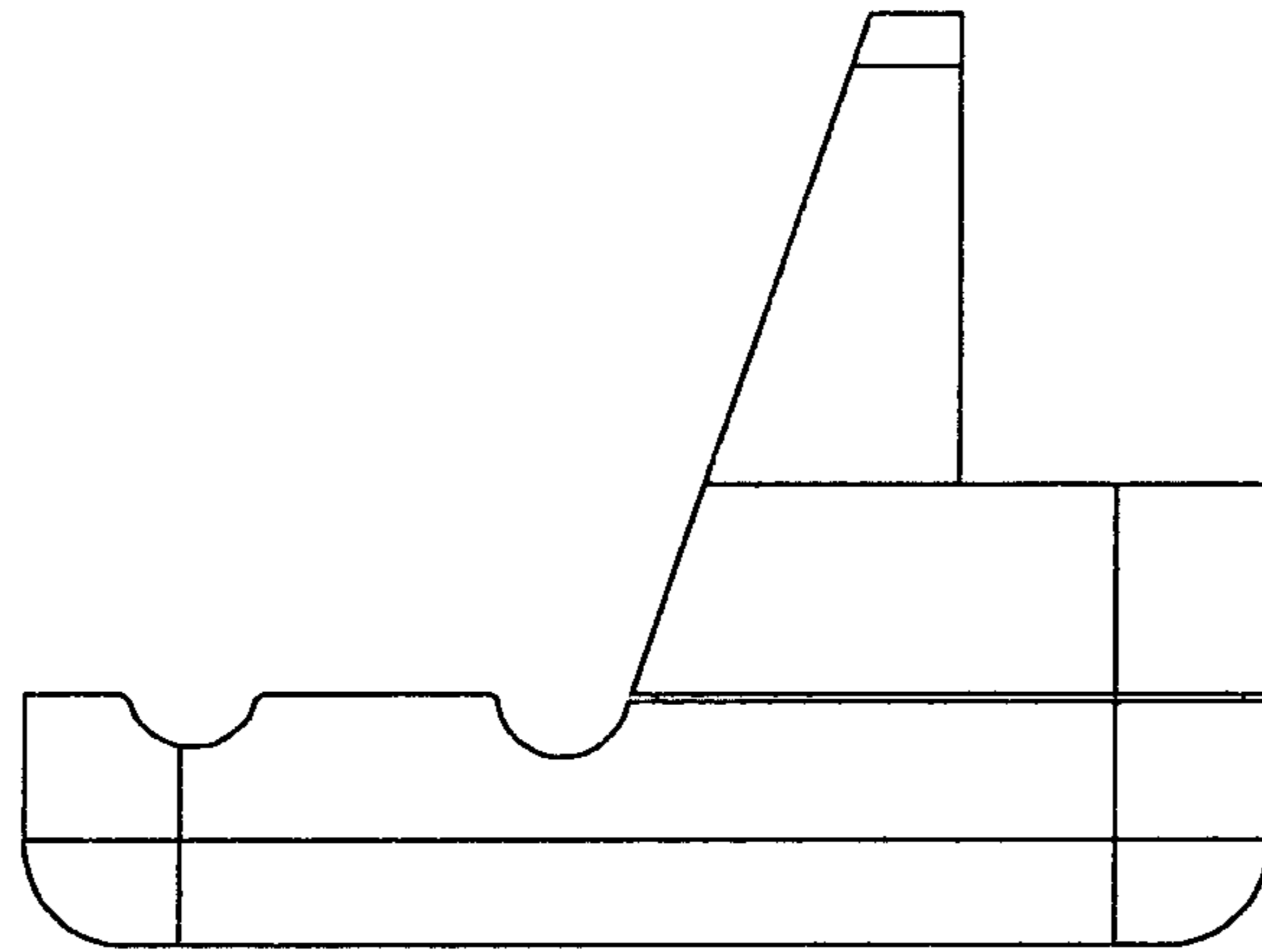


FIG. 3

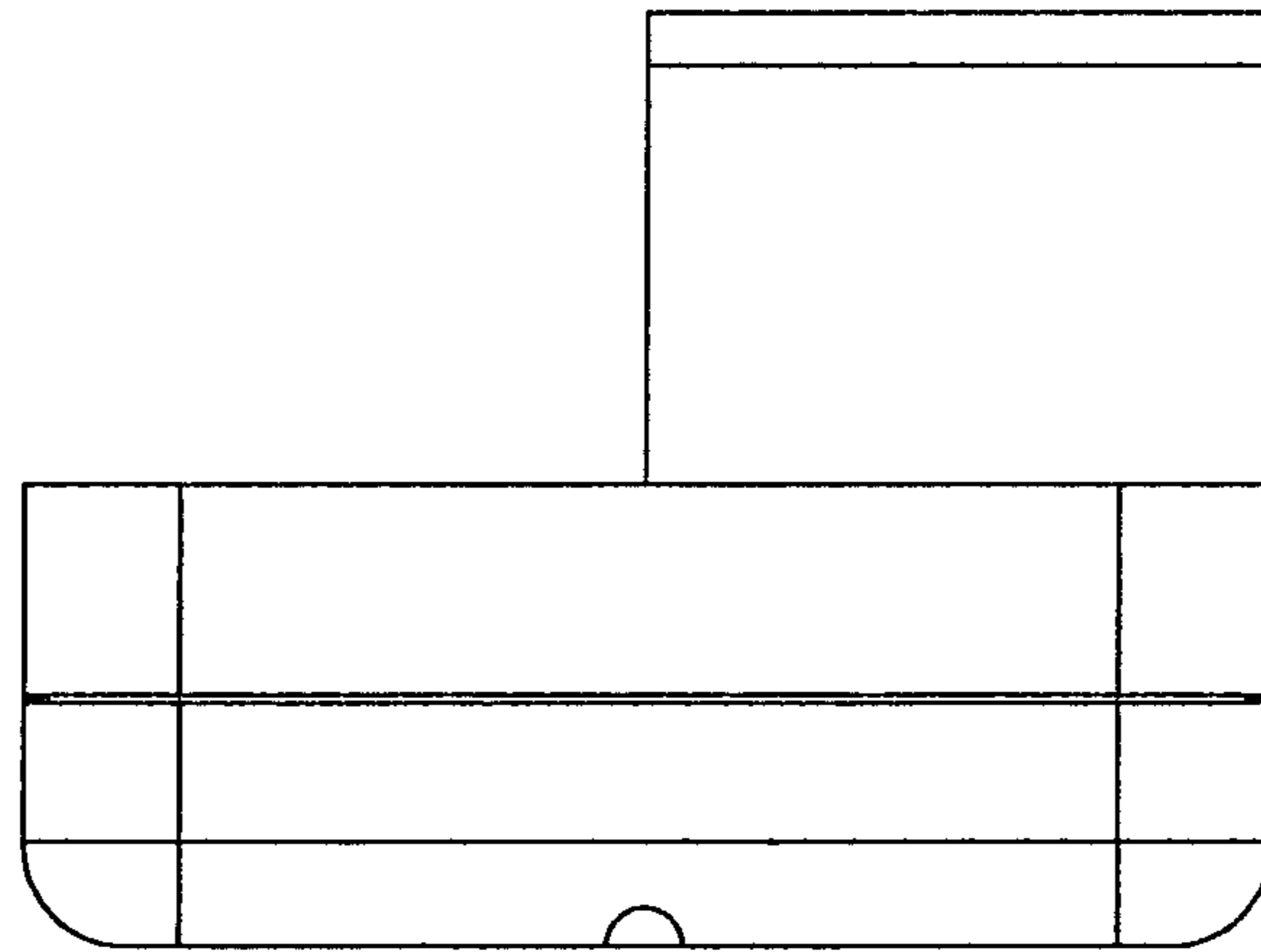


FIG. 4

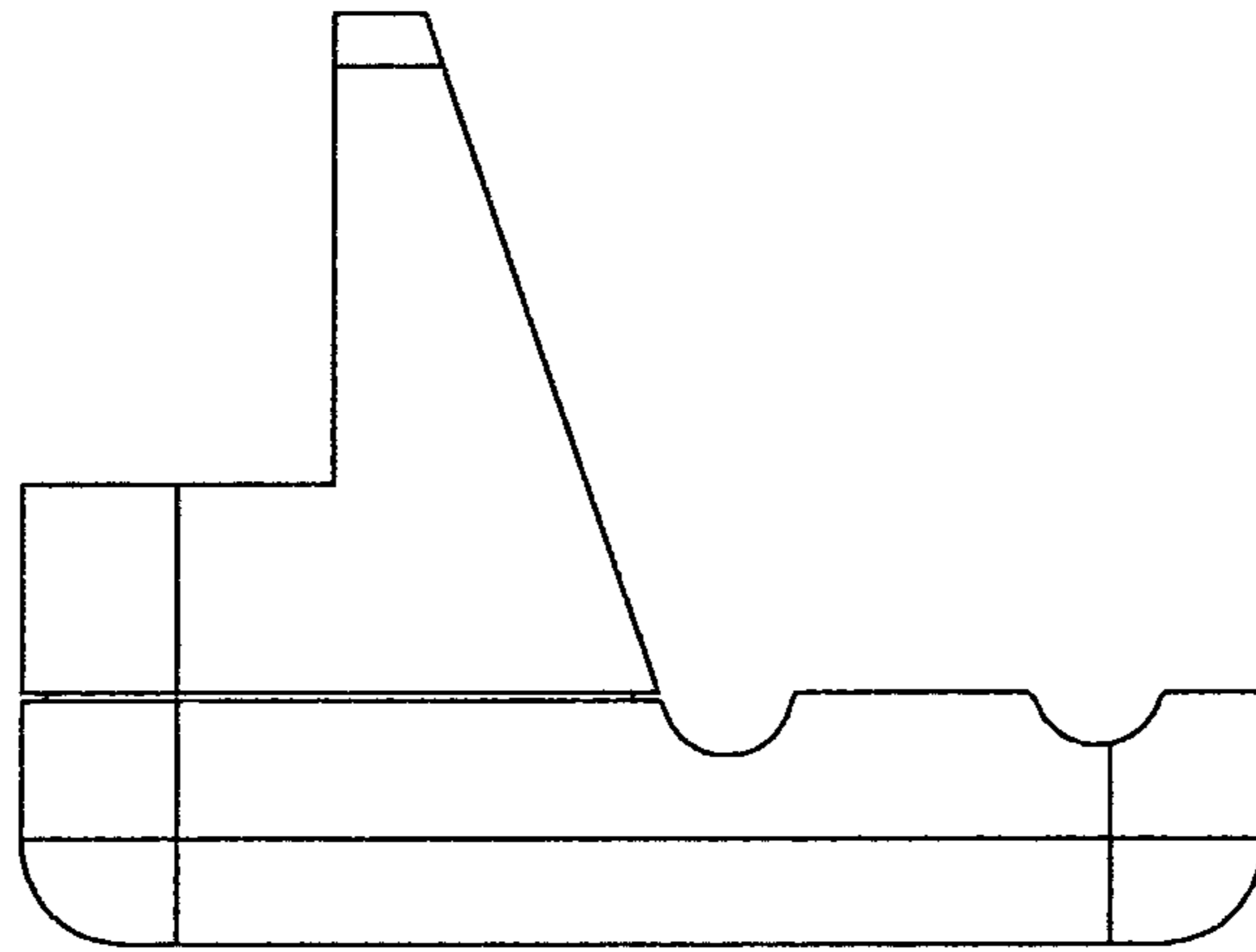


FIG. 5

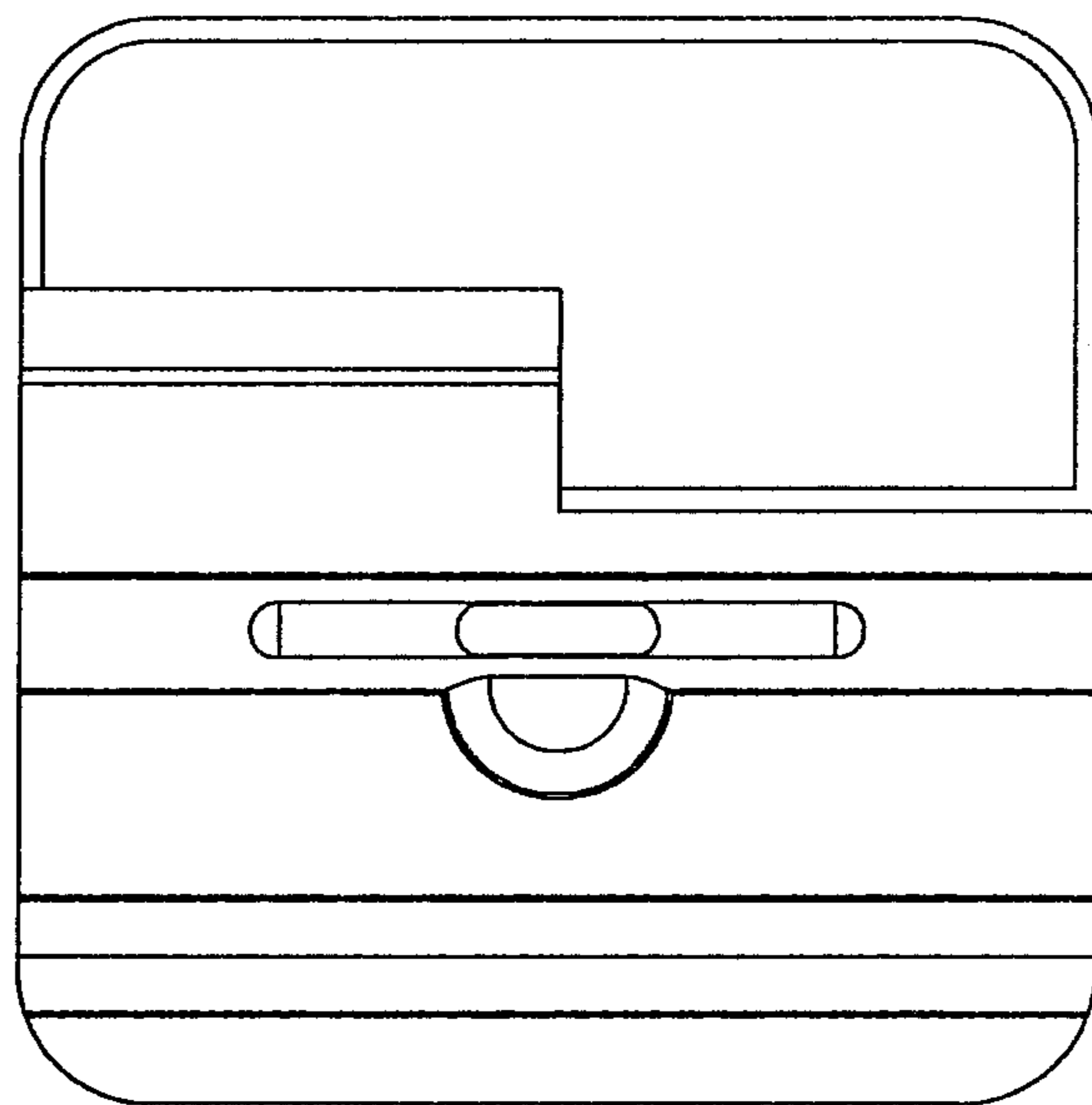


FIG. 6

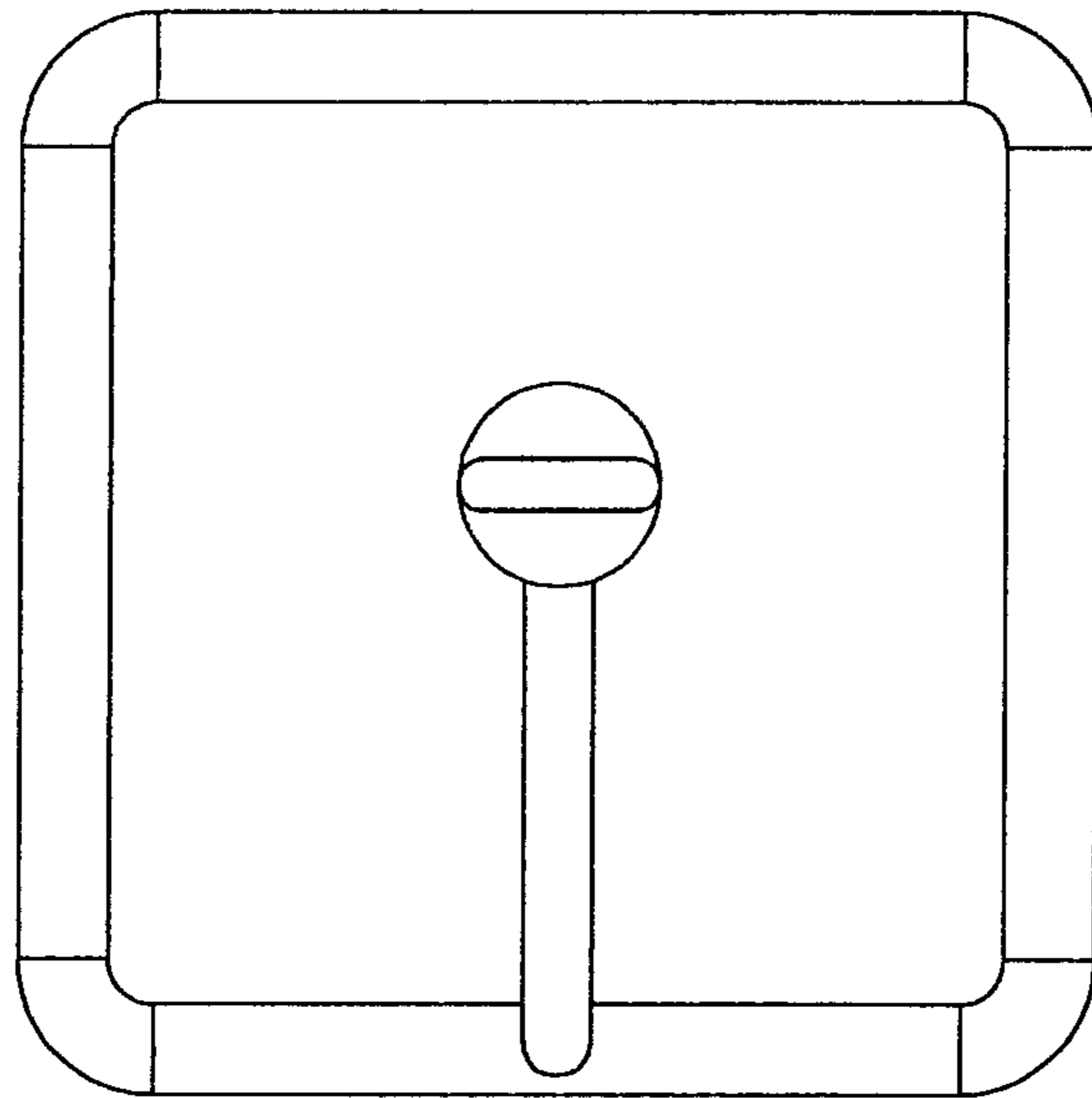


FIG. 7