



US00D722060S

(12) **United States Design Patent**  
**Kwon et al.**

(10) **Patent No.:** **US D722,060 S**  
(45) **Date of Patent:** **\*\* Feb. 3, 2015**

(54) **FACEPLATE FOR A SERVER**

(71) Applicant: **Western Digital Technologies, Inc.**,  
Irvine, CA (US)

(72) Inventors: **Tom H. Kwon**, Santa Ana, CA (US);  
**Steven T. Peng**, Irvine, CA (US)

(73) Assignee: **Western Digital Technologies, Inc.**,  
Irvine, CA (US)

(\*\*) Term: **14 Years**

(21) Appl. No.: **29/458,601**

(22) Filed: **Jun. 20, 2013**

(51) **LOC (10) Cl.** ..... **14-02**

(52) **U.S. Cl.**  
USPC ..... **D14/445**

(58) **Field of Classification Search**  
CPC ..... G06F 1/18  
USPC ..... D14/441-446, 313, 349, 356, 360-368,  
D14/301; D13/162, 184, 199; 312/223.2;  
360/99.01-99.12; 361/679.31-679.33,  
361/679.55; 369/34.01, 36.01  
See application file for complete search history.

(56) **References Cited**

**U.S. PATENT DOCUMENTS**

D396,031 S *	7/1998	Chiodo et al.	.....	D14/308
D511,521 S *	11/2005	Schmidt et al.	.....	D14/441
D535,298 S *	1/2007	Cochrane	.....	D14/444
D585,440 S *	1/2009	Alfonso et al.	.....	D14/313
D643,434 S *	8/2011	Grady et al.	.....	D14/442

D647,521 S \* 10/2011 Takeda et al. .... D14/300

\* cited by examiner

*Primary Examiner* — Freda S Nunn

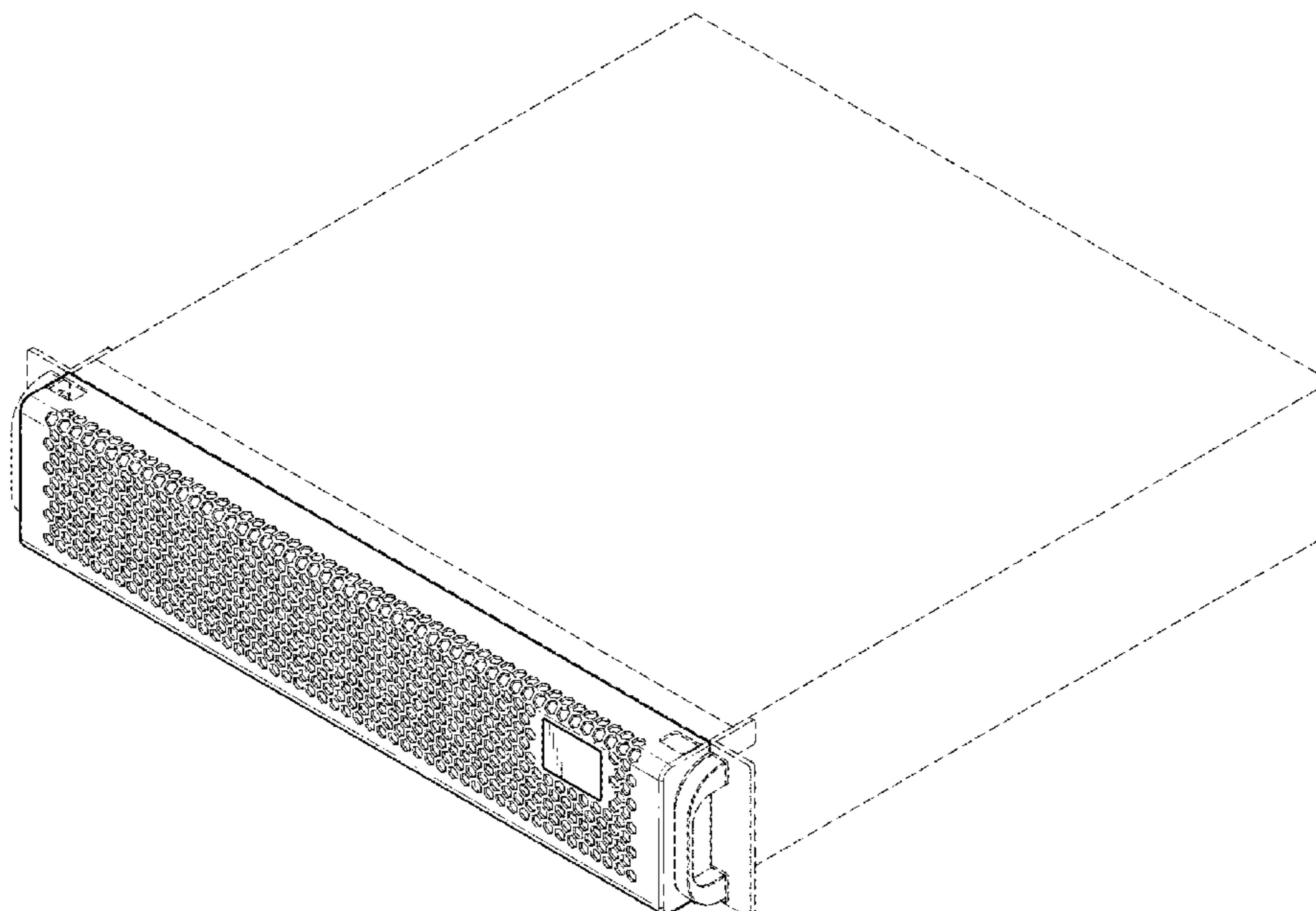
(57) **CLAIM**

The ornamental design for a faceplate for a server, as shown and described.

**DESCRIPTION**

FIG. 1 is a top, front and side perspective view of a faceplate for a server embodying the new design.  
FIG. 2 is a top view thereof.  
FIG. 3 is a bottom view thereof.  
FIG. 4 is a first side view thereof.  
FIG. 5 is a second side view thereof.  
FIG. 6 is a front view thereof.  
FIG. 7 is a back view thereof.  
FIG. 8 is a top, front and side perspective view of a second embodiment of the faceplate for a server embodying the new design.  
FIG. 9 is a top view thereof.  
FIG. 10 is a bottom view thereof.  
FIG. 11 is a front view thereof.  
FIG. 12 is a back view thereof.  
FIG. 13 is a first side view thereof; and,  
FIG. 14 is a second side view thereof.  
Broken lines are used to illustrate features of the faceplate for a server which form no part of the claimed design. In the figures the faceplate for a server is shown attached to a server to represent environment which forms no part of the claimed design.

**1 Claim, 10 Drawing Sheets**



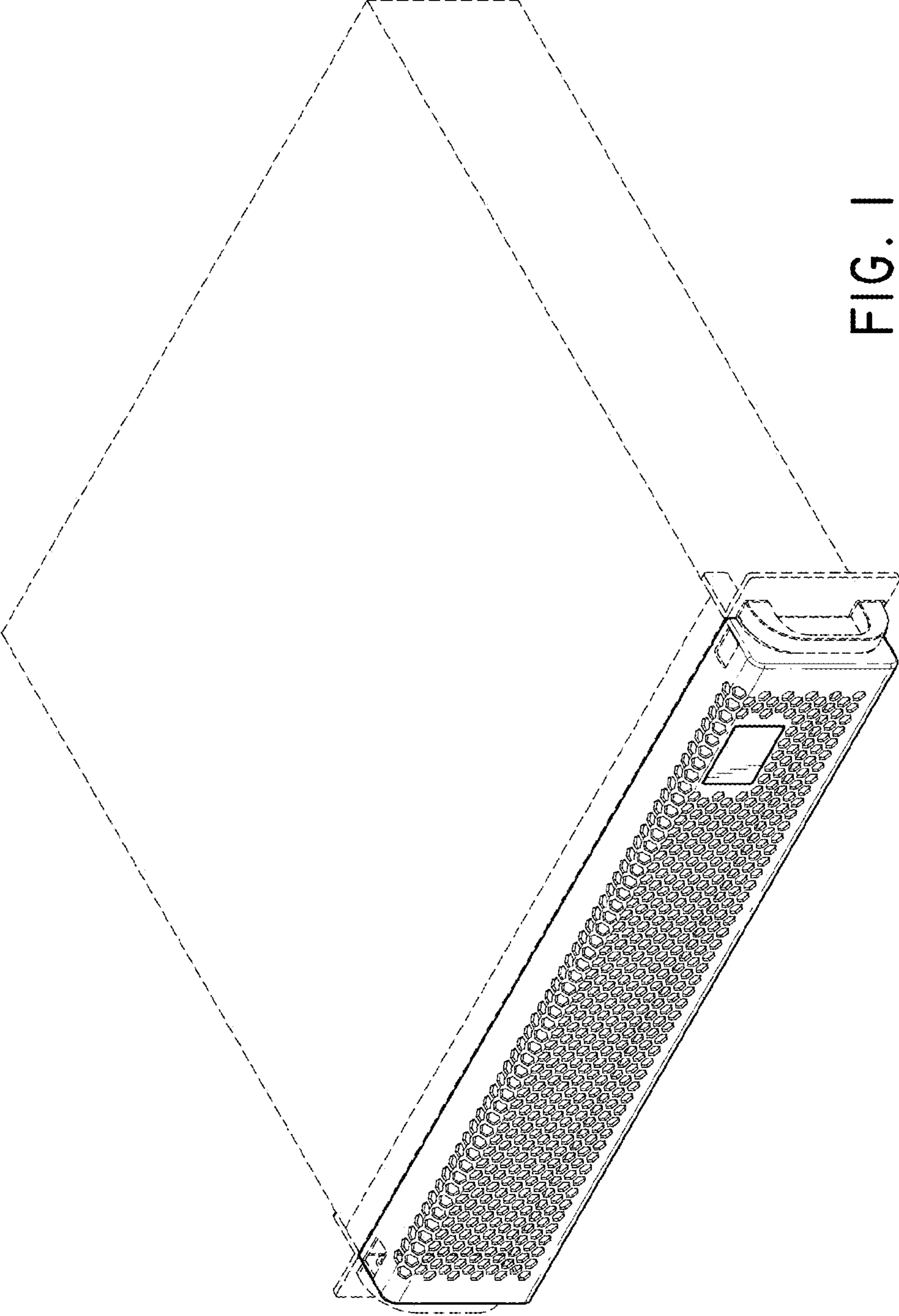


FIG. 1

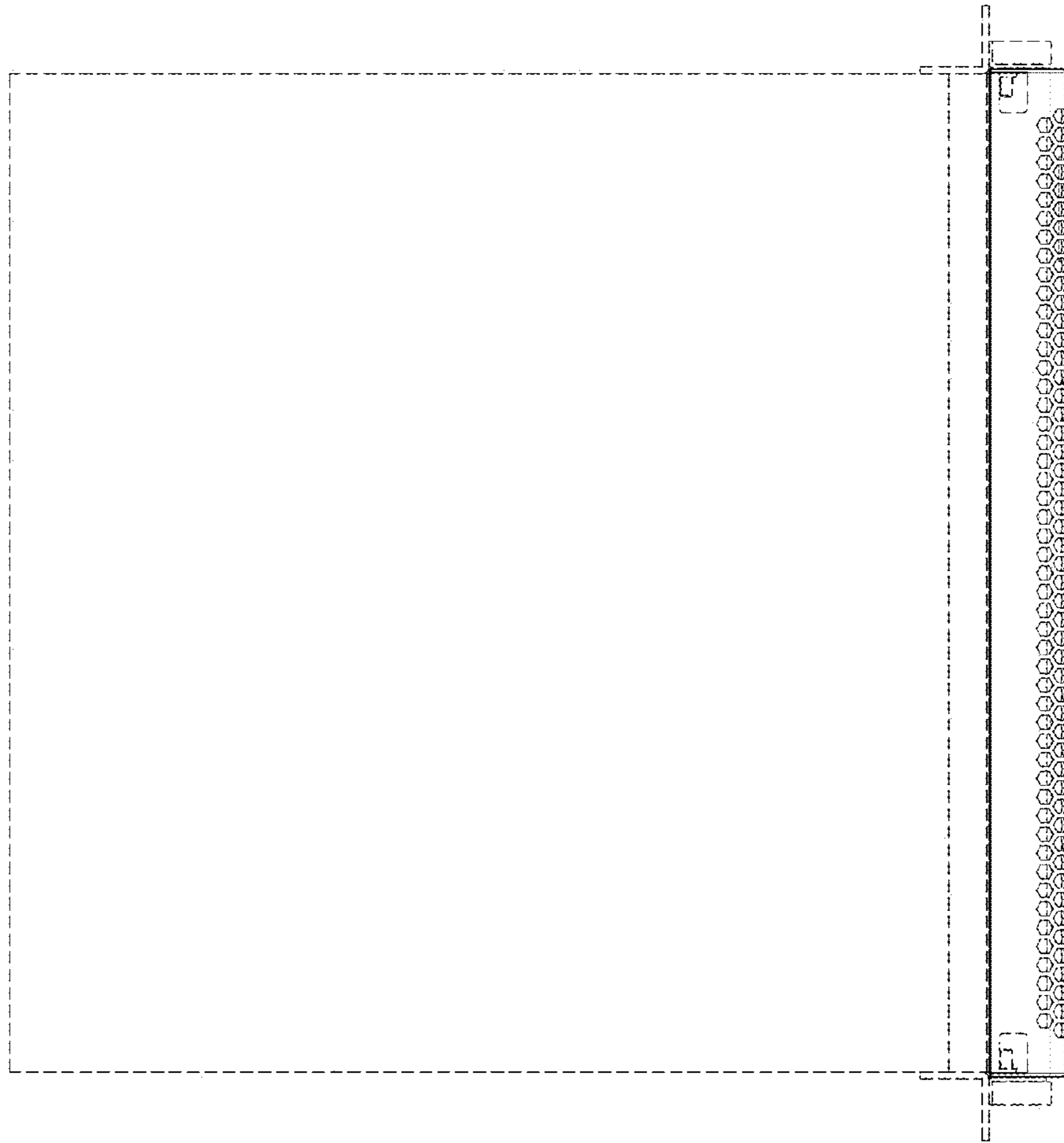


FIG. 2

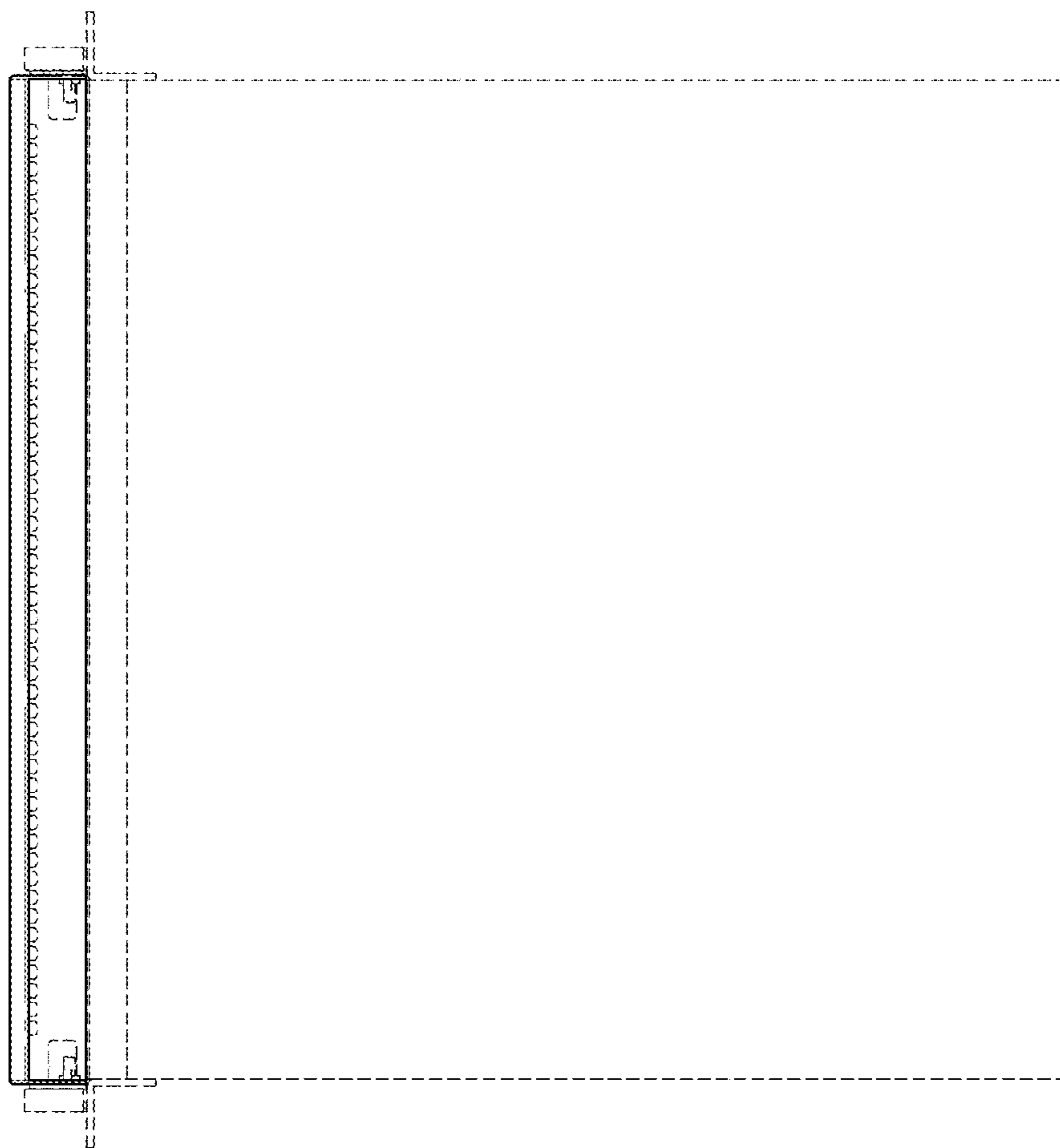


FIG. 3

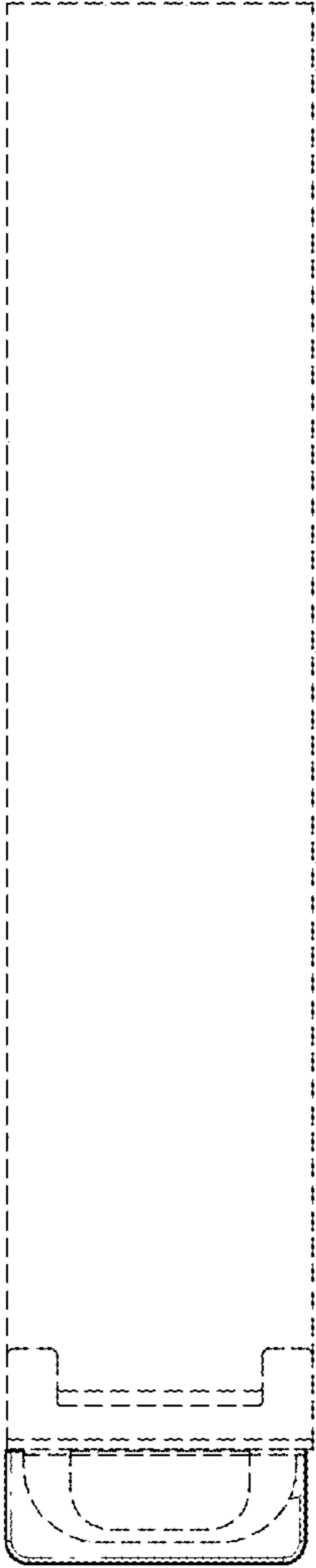


FIG. 4

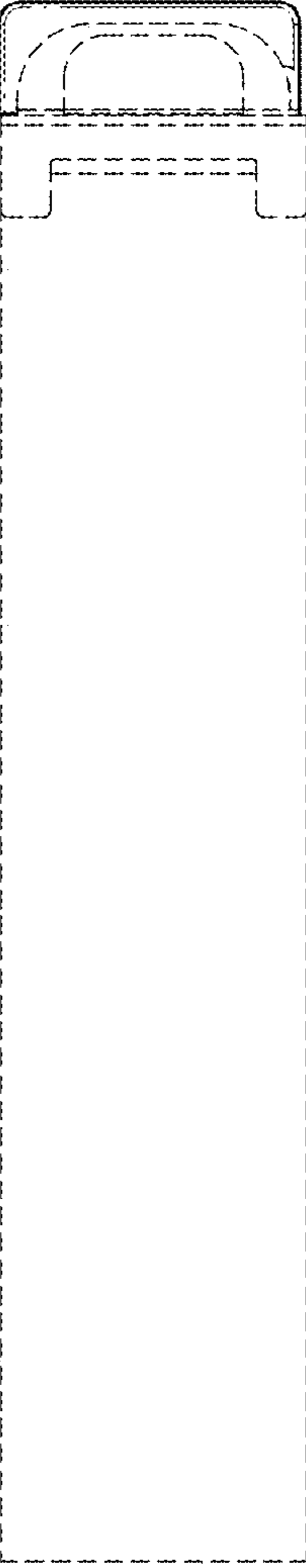


FIG. 5

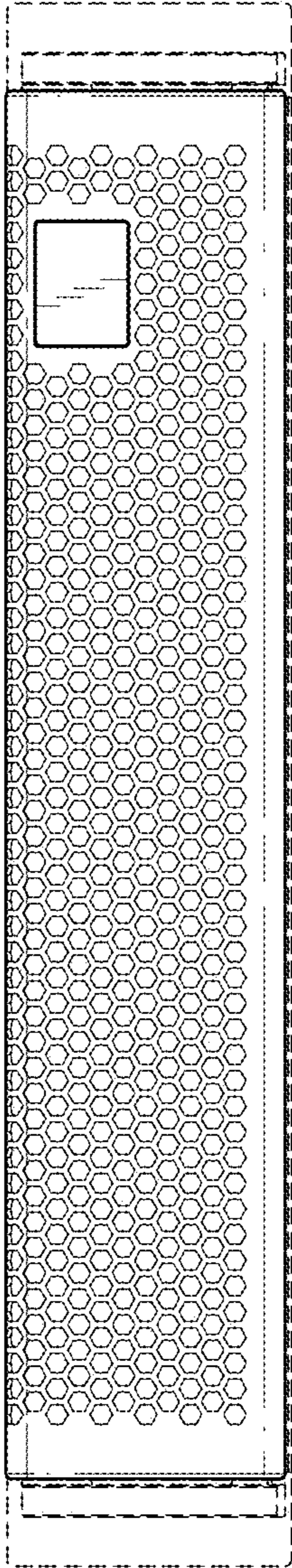


FIG. 6

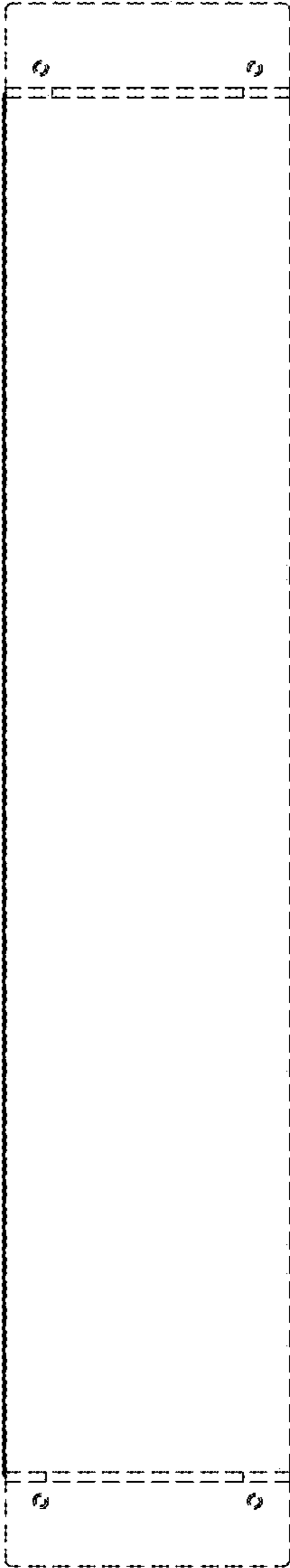


FIG. 7

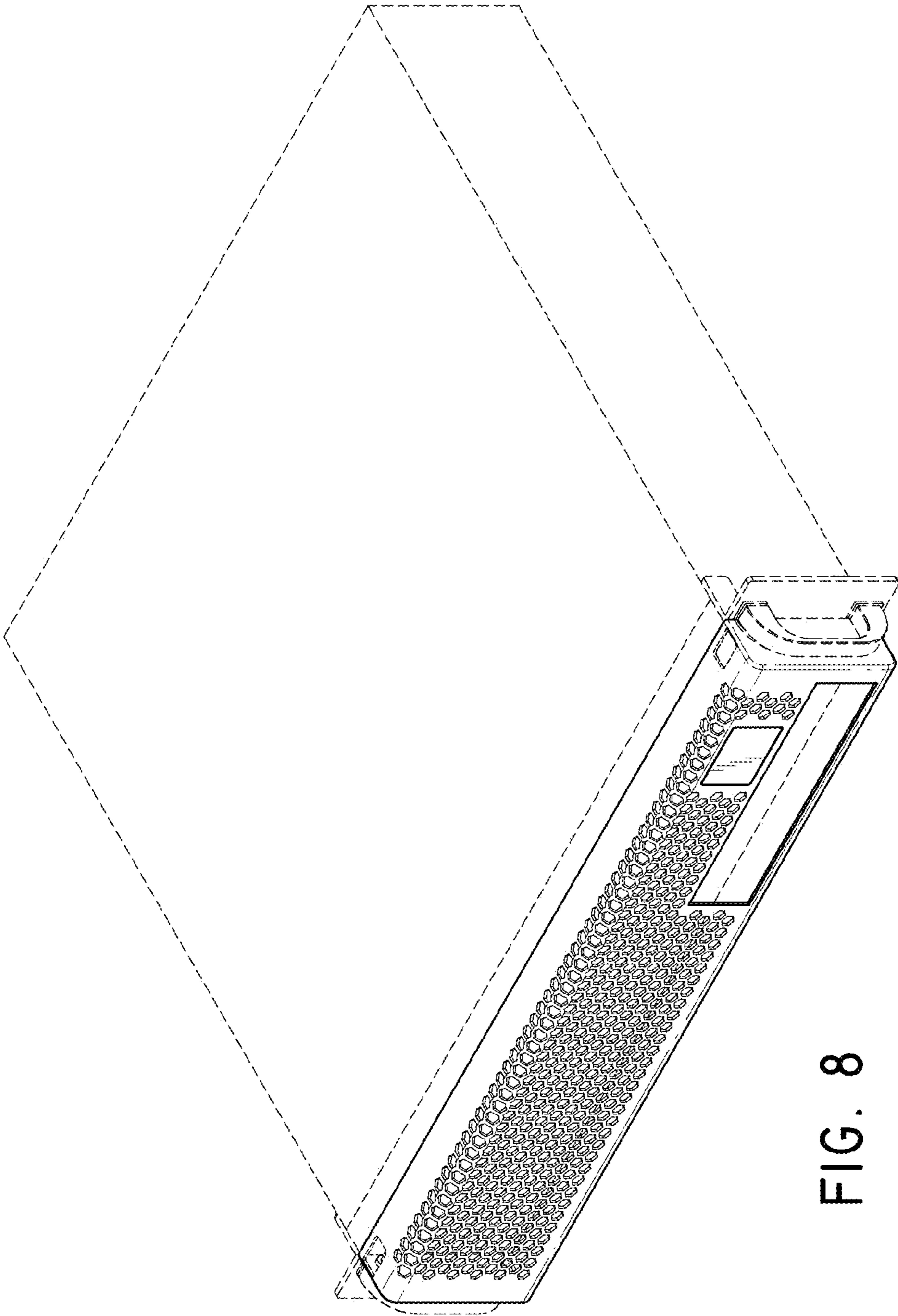


FIG. 8

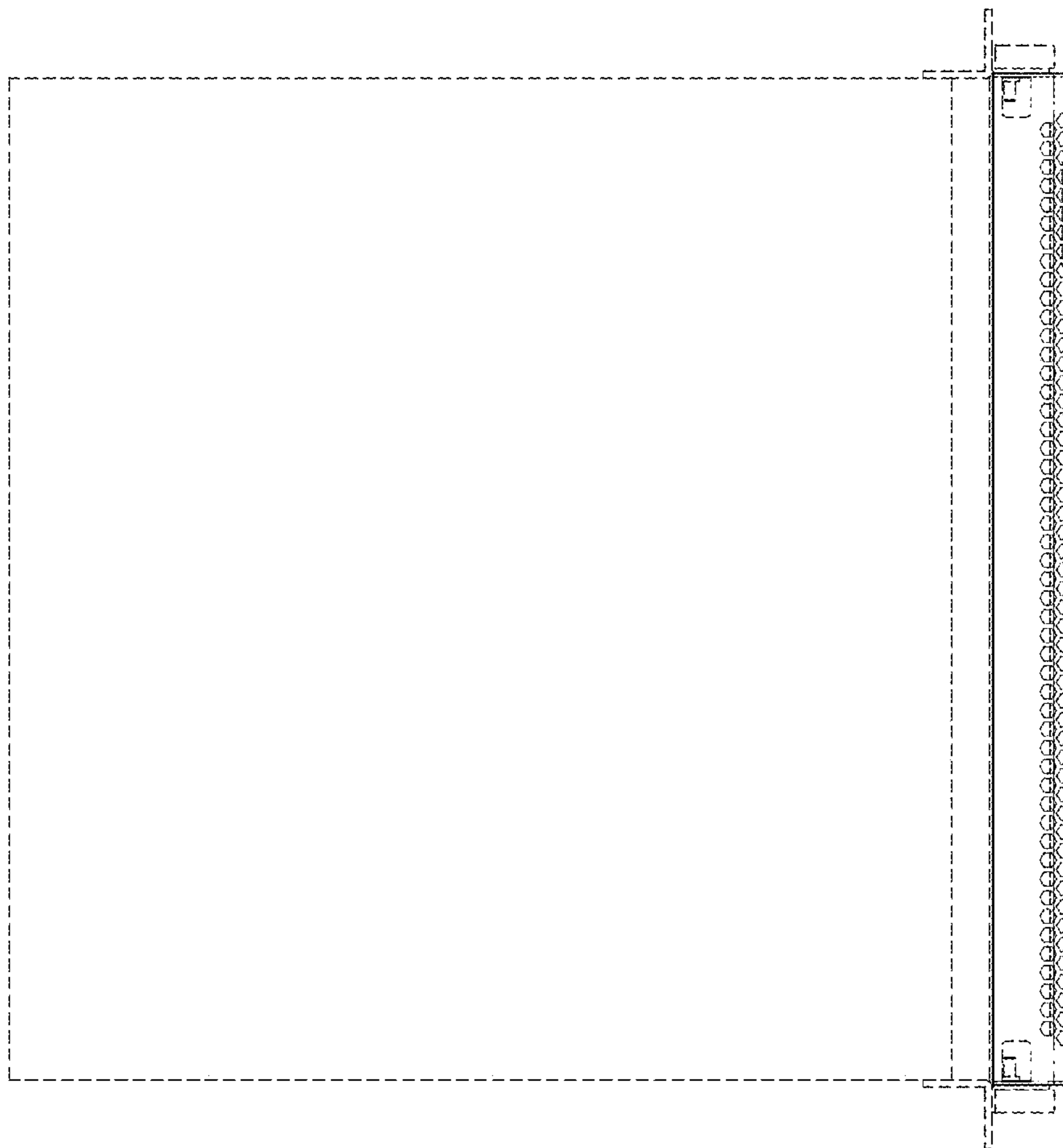


FIG. 9



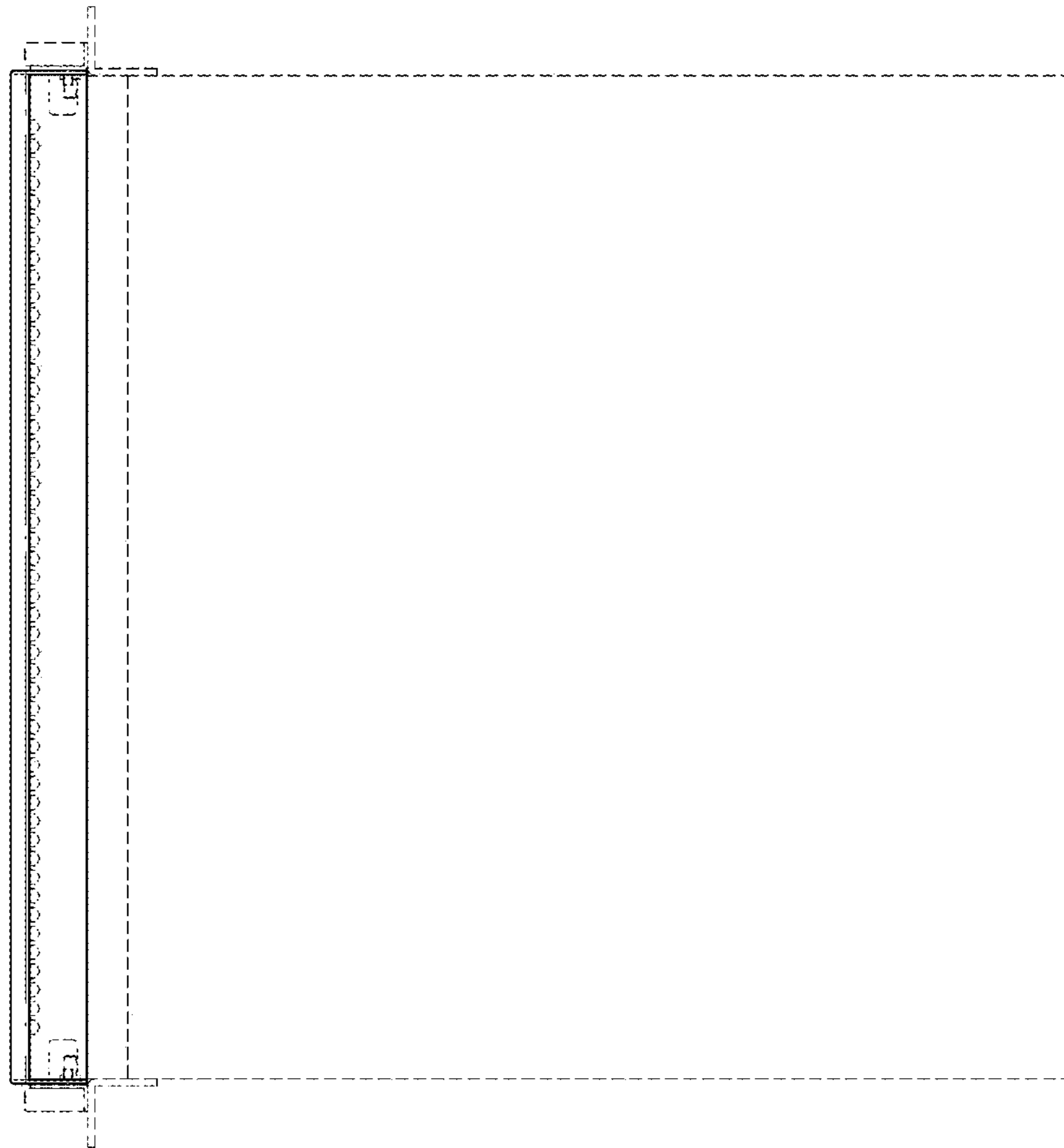


FIG. 10

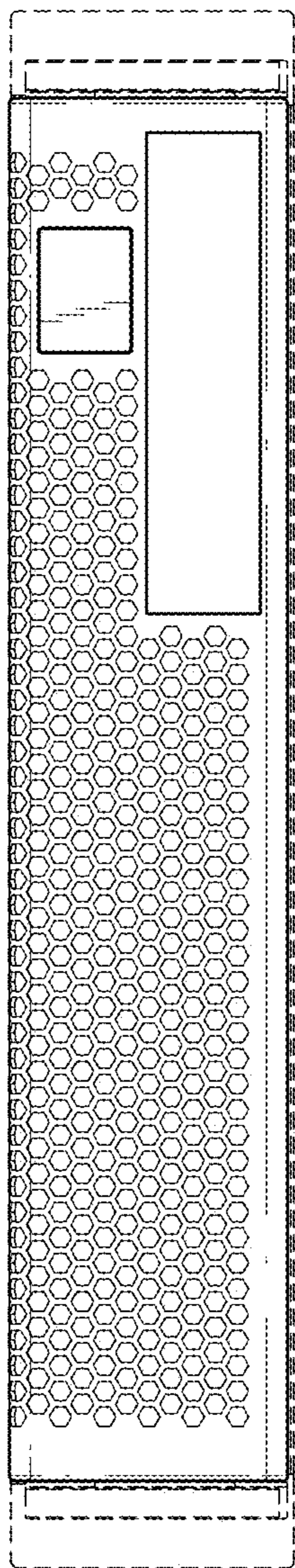


FIG. 11



FIG. 12

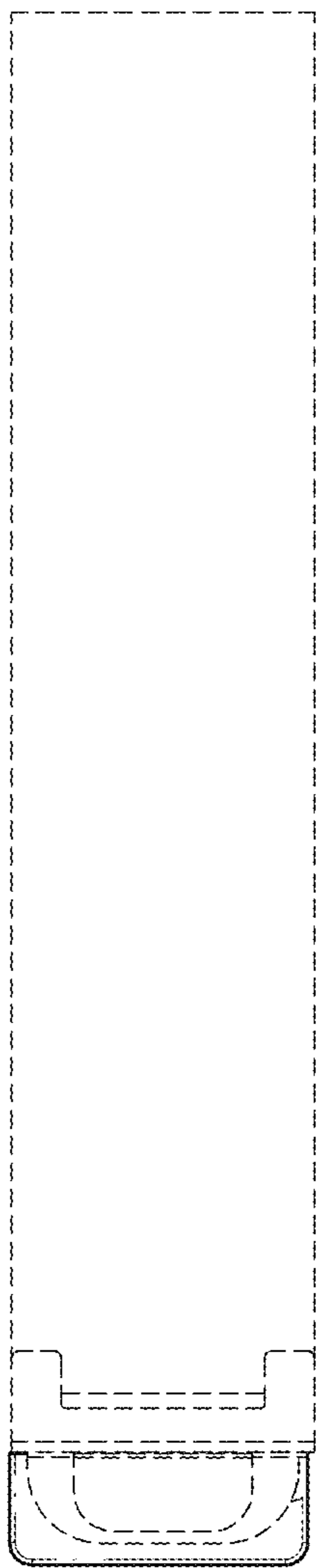


FIG. 13

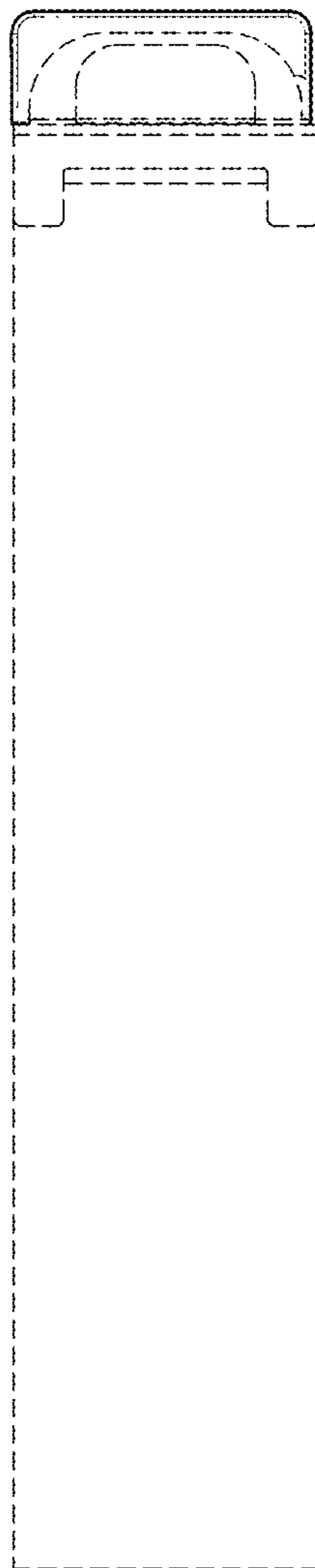


FIG. 14