



US00D722057S

(12) **United States Design Patent**
Schoenith et al.

(10) **Patent No.:** **US D722,057 S**
(45) **Date of Patent:** **** Feb. 3, 2015**

(54) **TABLET DEVICE CASE**

(71) Applicant: **Clamcase, LLC**, Troy, MI (US)

(72) Inventors: **John M. Schoenith**, Hollywood, CA (US); **Anthony Ahee**, Grosse Pointe Shores, MI (US)

(73) Assignee: **Clamcase, LLC**, Hollywood, CA (US)

(**) Term: **14 Years**

(21) Appl. No.: **29/445,838**

(22) Filed: **Feb. 18, 2013**

(51) **LOC (10) Cl.** **14-02**

(52) **U.S. Cl.**
USPC **D14/440**

(58) **Field of Classification Search**
USPC D14/250, 251, 253, 240, 217, 496, 440, D14/203.3, 203.4, 203.5, 203.8, 341, 318; D3/218, 215, 201, 294, 289, 900; 220/4.02; 248/309.1; 361/679.56; 379/426, 433.11, 455; 455/575.1, 455/575.8; 190/100; 206/305, 320; D21/469

See application file for complete search history.

8,139,357 B2 * 3/2012 Trang 361/679.59
D659,139 S * 5/2012 Gengler D14/392
8,201,687 B2 * 6/2012 Zelif et al. 206/320
8,230,992 B2 * 7/2012 Law et al. 206/320
8,253,595 B2 * 8/2012 Yang et al. 341/20
2001/0009500 A1 * 7/2001 Selker 361/683
2001/0040559 A1 11/2001 Bullister
2002/0159226 A1 10/2002 Huang et al.
2003/0112590 A1 6/2003 Shimano et al.
2005/0168925 A1 8/2005 Fang et al.
2006/0044288 A1 3/2006 Nakamura et al.
2007/0097087 A1 5/2007 Homer et al.
2008/0225471 A1 9/2008 Takizawa
2009/0017883 A1 * 1/2009 Lin 455/575.8

(Continued)

OTHER PUBLICATIONS

International Search Report dated Dec. 20, 2011 (PCT Application No. PCT/US2011/034405).

(Continued)

Primary Examiner — Cynthia Underwood
(74) *Attorney, Agent, or Firm* — The Dobrusin Law Firm, PC

(57) **CLAIM**
The ornamental design for a tablet device case, as shown and described.

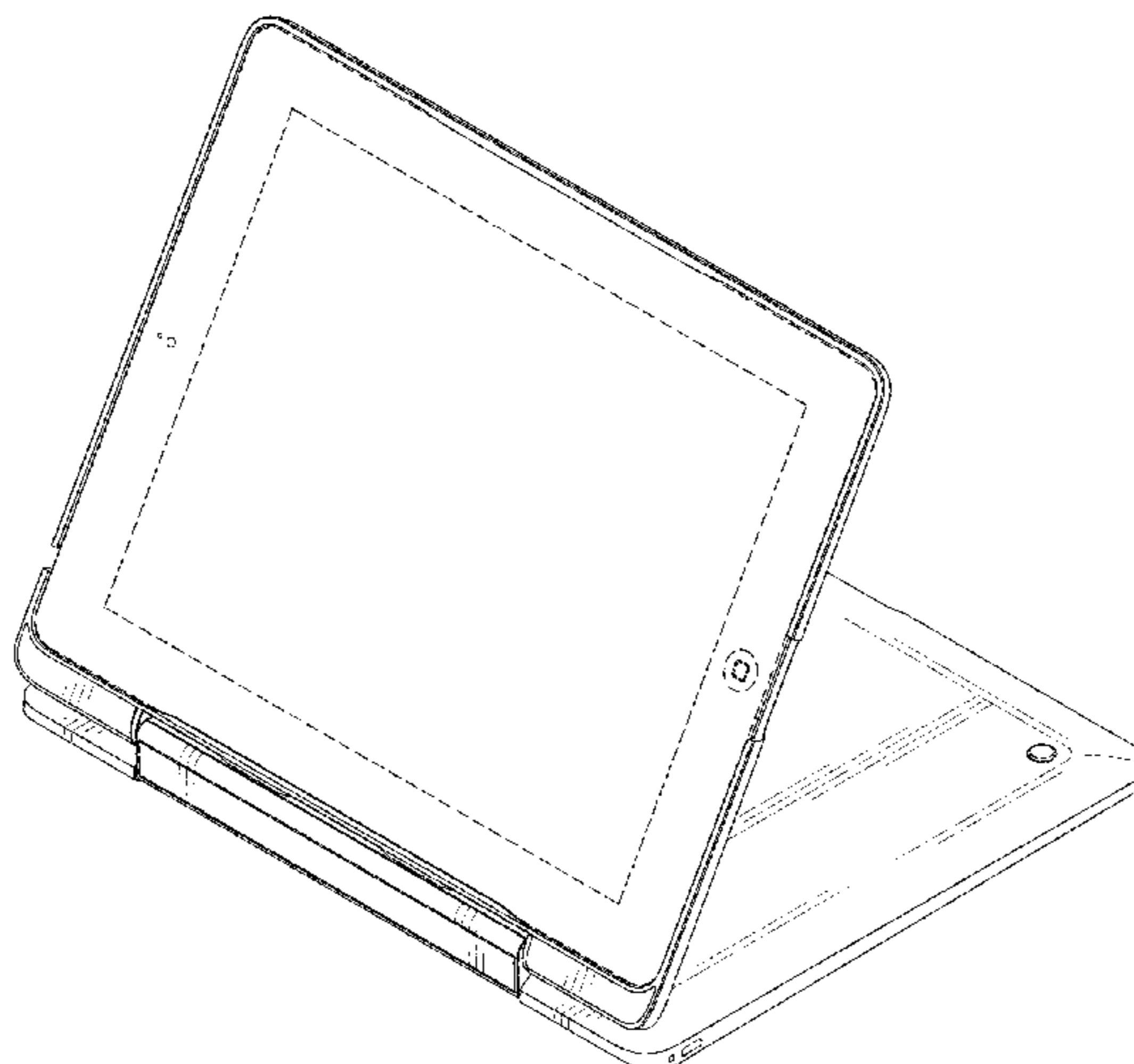
(56) **References Cited**
U.S. PATENT DOCUMENTS

676,449	A	6/1907	Schwarz	
4,259,568	A *	3/1981	Dynesen	235/1 D
5,375,076	A *	12/1994	Goodrich et al.	361/679.17
5,383,138	A *	1/1995	Motoyama et al.	361/679.27
5,594,619	A	1/1997	Miyagawa et al.	
5,737,183	A	4/1998	Kobayashi et al.	
5,847,698	A *	12/1998	Reavey et al.	345/173
7,042,712	B2 *	5/2006	Ghosh et al.	361/679.03
7,318,521	B2 *	1/2008	Lau	206/45.24
7,502,225	B2 *	3/2009	Solomon et al.	361/679.41
D611,045	S *	3/2010	Andre et al.	D14/327
D620,001	S *	7/2010	Reed et al.	D14/315
D637,596	S *	5/2011	Akana et al.	D14/341
D652,831	S *	1/2012	Lee et al.	D14/315

DESCRIPTION

FIG. 1 is a perspective view of the present invention.
FIG. 2 is a front elevational view thereof.
FIG. 3 is a rear elevational view thereof.
FIG. 4 is a top-down view thereof.
FIG. 5 is a bottom-up view of the opposing surface shown at FIG. 4.
FIG. 6 is a right side profile view thereof; and,
FIG. 7 is an opposing side profile view thereof.
The broken lines showing environment in the drawings are for illustrative purposes only and form no part of the claimed design.

1 Claim, 4 Drawing Sheets



(56)

References Cited

U.S. PATENT DOCUMENTS

2010/0195279 A1 8/2010 Michael
2010/0294909 A1* 11/2010 Hauser et al. 248/456
2011/0199727 A1 8/2011 Probst
2011/0267757 A1 11/2011 Probst
2012/0106059 A1 5/2012 Probst et al.
2012/0106060 A1 5/2012 Probst
2012/0106061 A1 5/2012 Probst

2012/0106062 A1 5/2012 Probst
2012/0106078 A1 5/2012 Probst
2012/0194448 A1* 8/2012 Rothkopf 345/173

OTHER PUBLICATIONS

International Search Report & Written Opinion dated Dec. 13, 2011
(PCT/US2011/035310).

* cited by examiner

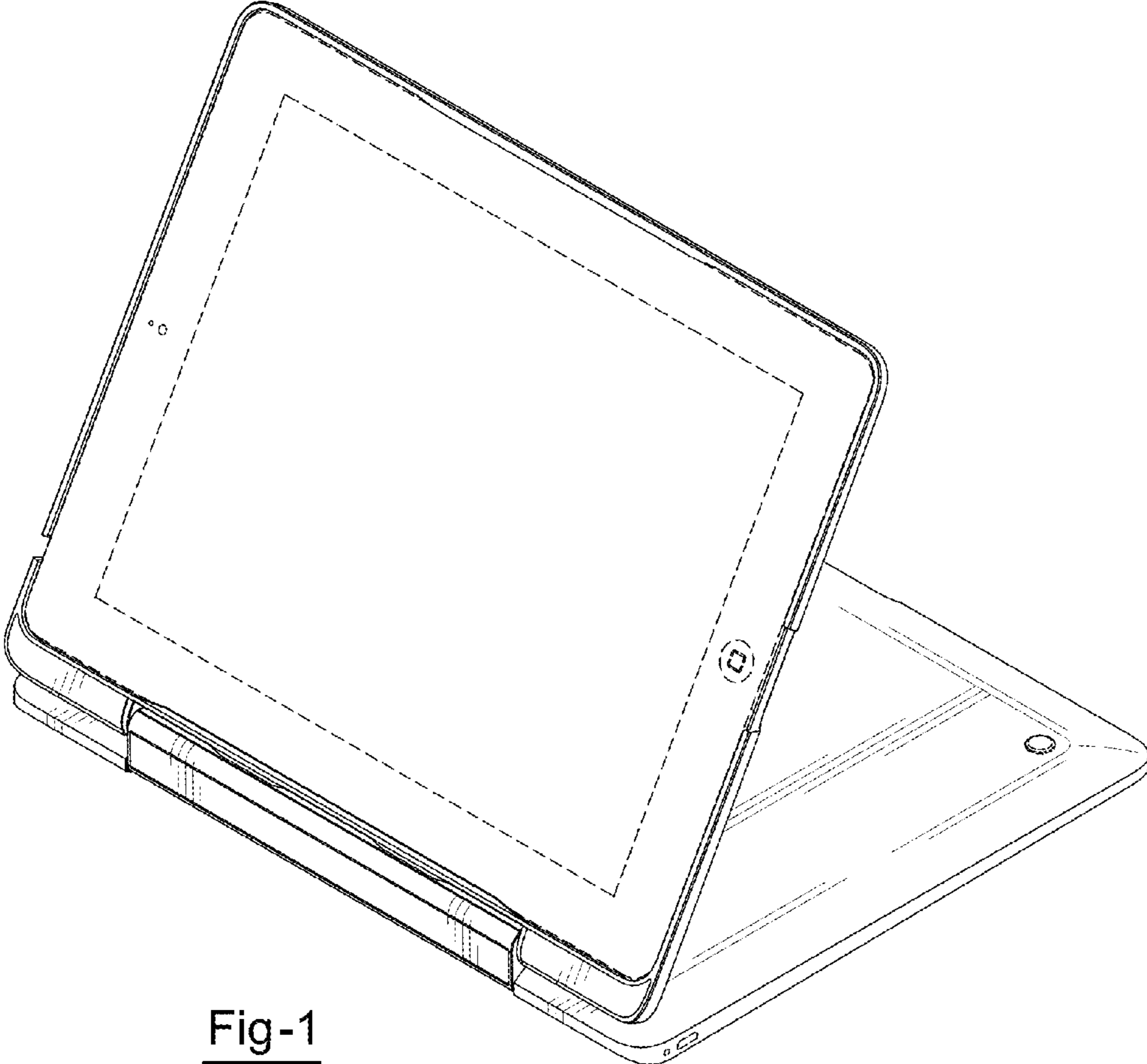


Fig-1

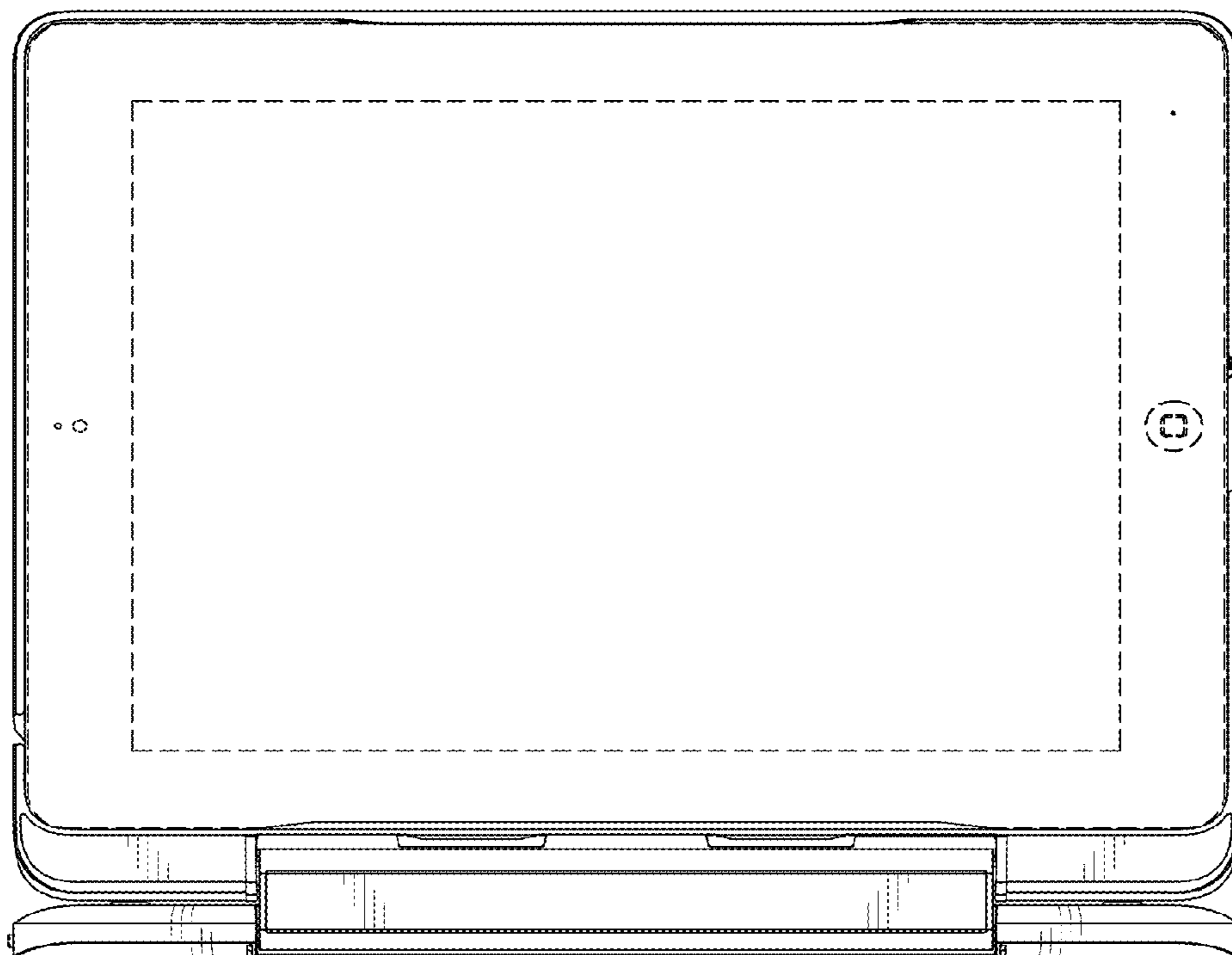


Fig-2

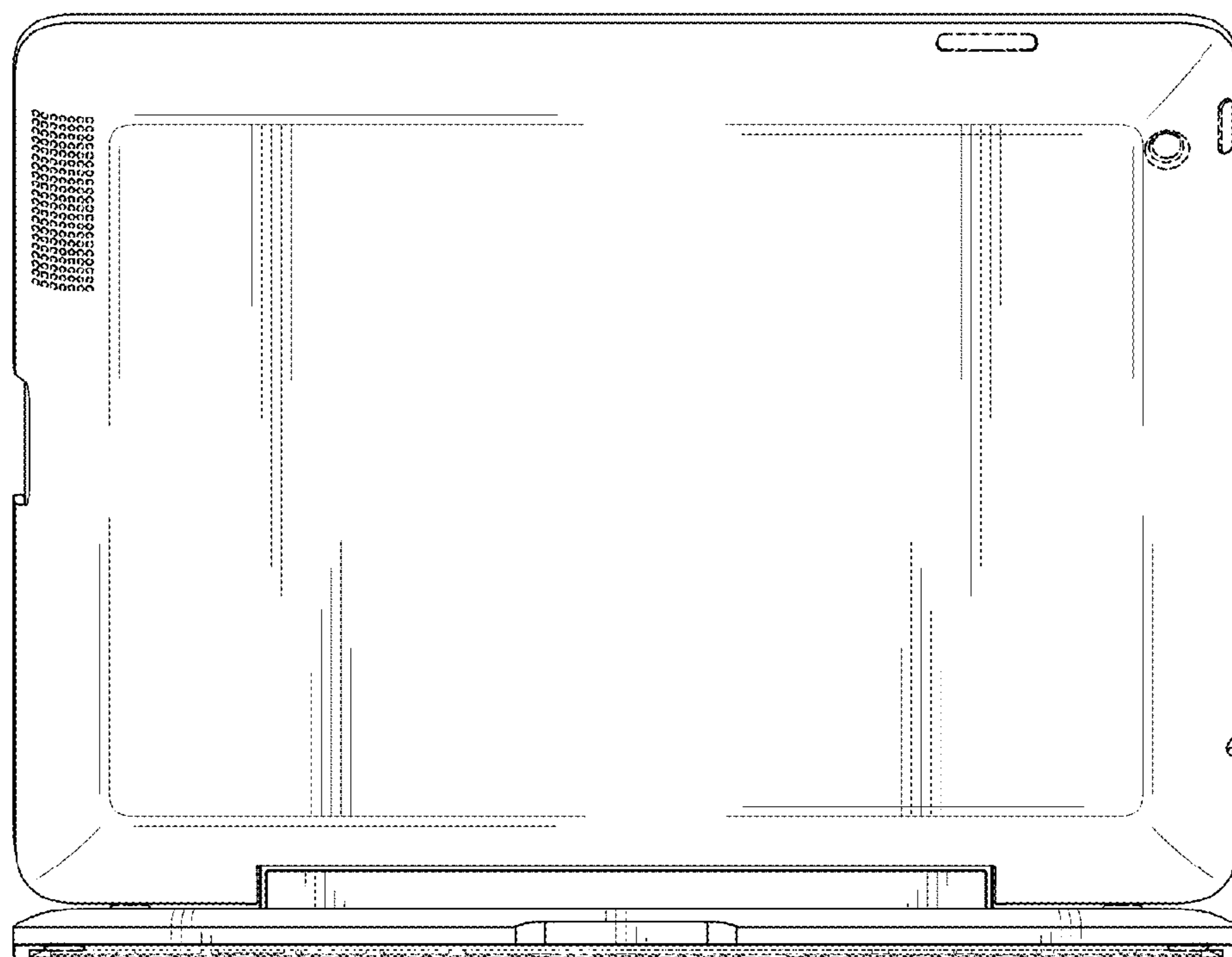


Fig-3

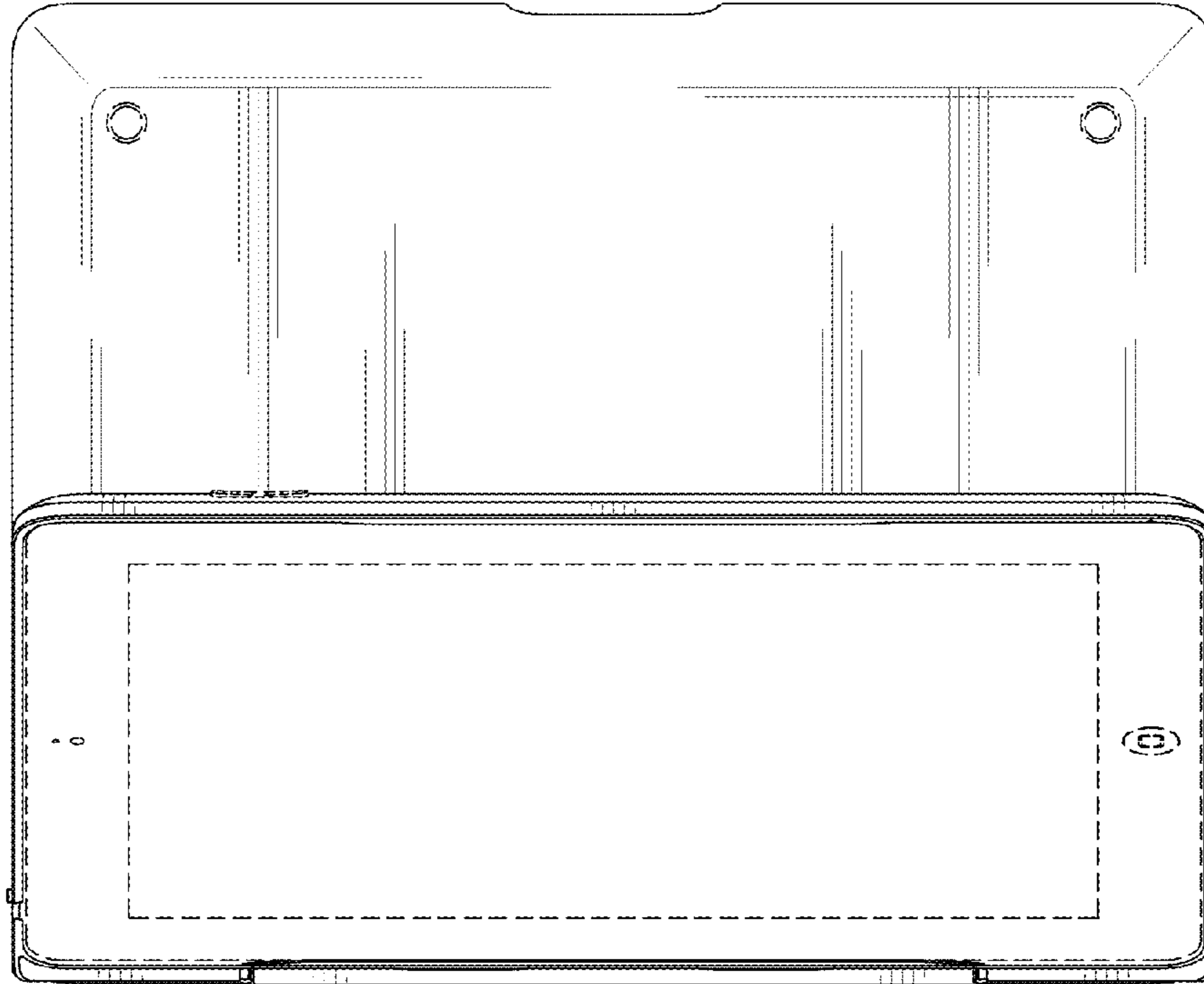


Fig-4

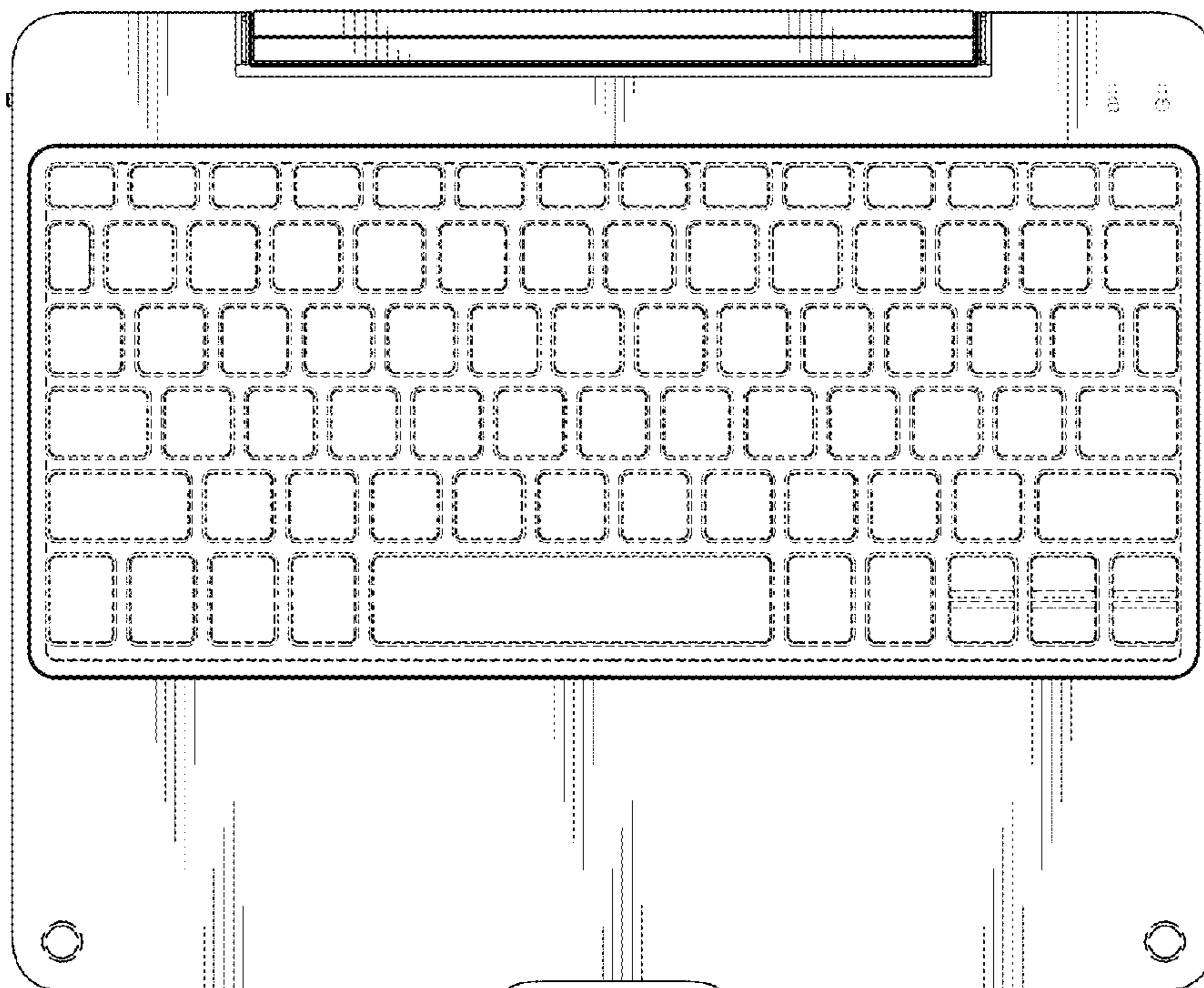


Fig-5

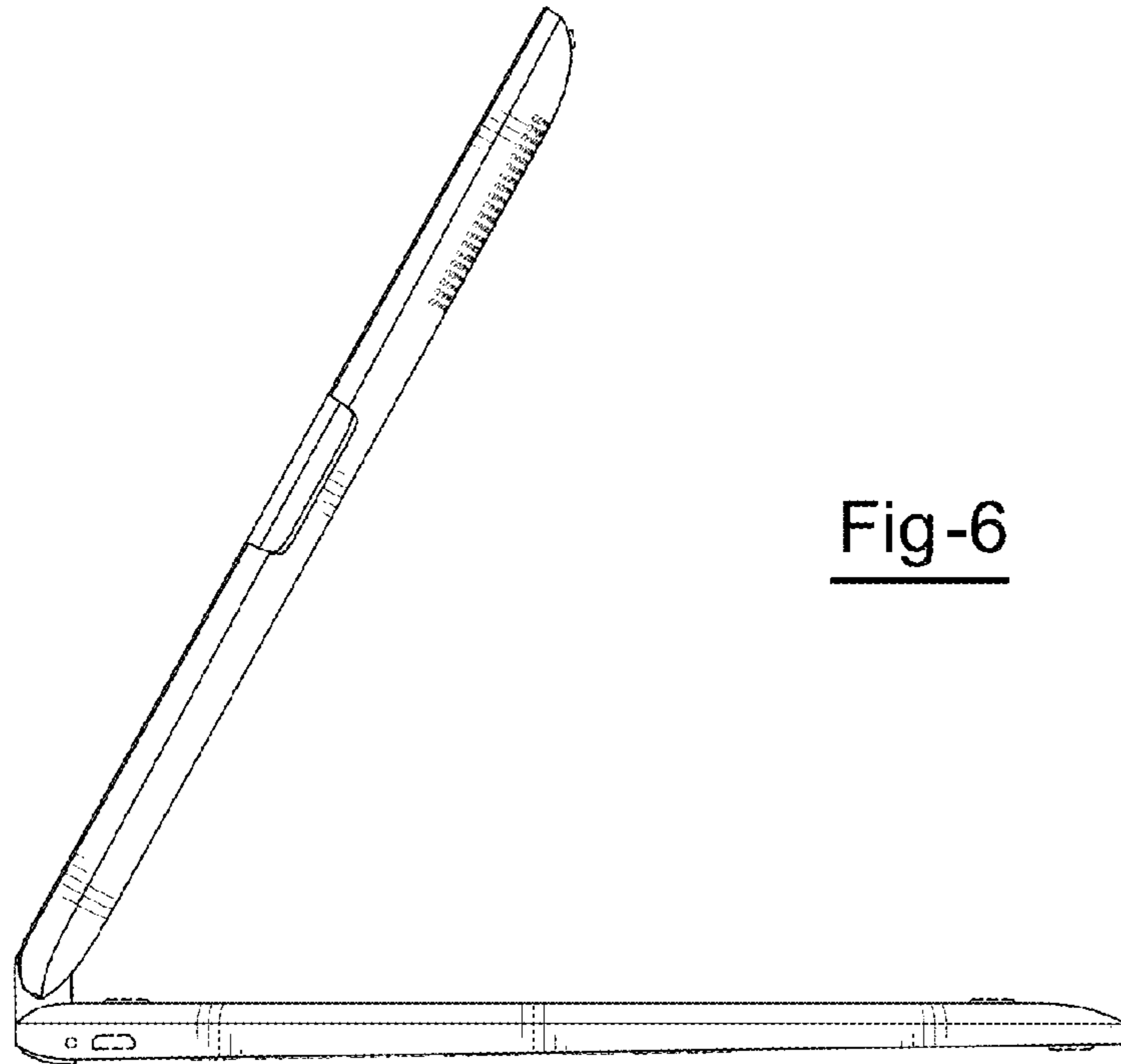


Fig-6

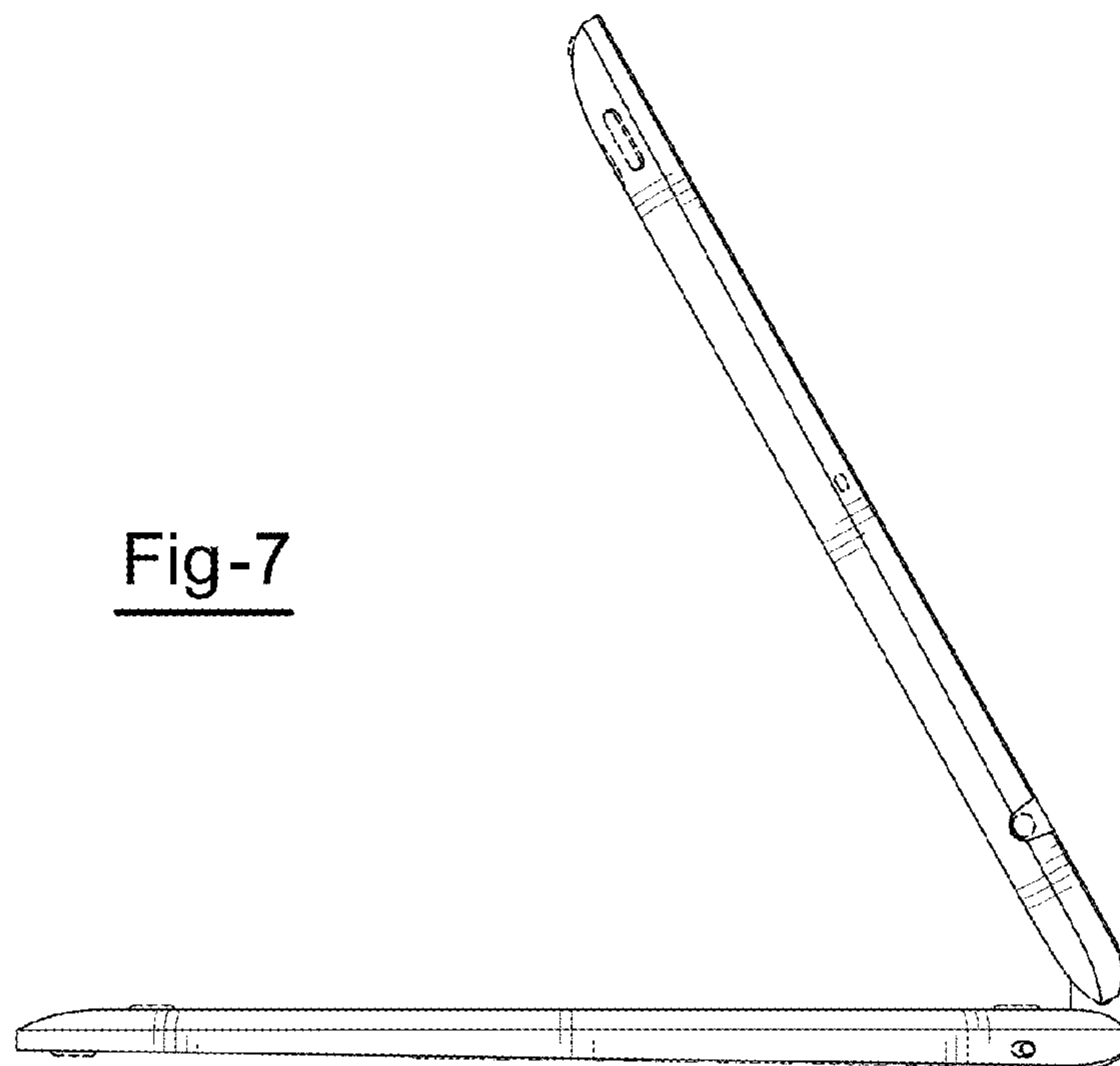


Fig-7