



US00D722055S

(12) **United States Design Patent**
Jonsson et al.

(10) **Patent No.:** **US D722,055 S**
(45) **Date of Patent:** **** Feb. 3, 2015**

(54) **CONTROL PANEL FOR A COORDINATE
INPUT DEVICE**

D629,400 S * 12/2010 Harper D14/390
D631,047 S * 1/2011 Hirota D14/390
D671,117 S * 11/2012 Harper et al. D14/371

(75) Inventors: **Carl Jonsson**, Portland, OR (US); **Jason
Martin**, Lake Oswego, OR (US);
Patrick Triato, Portland, OR (US)

(Continued)

(73) Assignee: **Wacom Co., Ltd.**, Kazo-shi (JP)

FOREIGN PATENT DOCUMENTS

(**) Term: **14 Years**

JP D1372733 S 11/2009
JP D1378263 S 1/2010
JP D1378527 S 1/2010

(21) Appl. No.: **29/424,425**

(22) Filed: **Jun. 12, 2012**

OTHER PUBLICATIONS

(30) **Foreign Application Priority Data**

Dec. 12, 2011 (JP) 2011-28826

2013 New Huion H58L 8" 8x5" 5080 LPI Art Drawing Tablet Digital Pen for Computer PC P0002985 Free Shipping [online]. Aliexpress.com, 2014 [retrieved on Jun. 9, 2014]. Retrieved from the Internet: <URL: <http://www.aliexpress.com/item/2013-New-HUION-H58L-8-8x5-5080-LPI-Art-Drawing-Tablet-Digital-Pen-For-Computer-PC/1104949785.html>>.*

(Continued)

(51) **LOC (10) CL.** **14-02**

(52) **U.S. CL.**
USPC **D14/389**

(58) **Field of Classification Search**
USPC 178/180.03; 341/22-23; 345/169,
345/901-905; 349/12; 434/308-309;
715/700-720, 840; D14/138 AA,
D14/138 AB, 138 AC, 138 AD, 138 G, 138 R,
D14/168, 247, 331, 336, 341-346, 356,
D14/371-374, 389, 415, 455-456,
D14/485-495; D18/1-2, 7, 26, 31-33;
D19/6, 59-61; D20/11, 23-26, 29-32;
D21/333

Primary Examiner — Deanna L Pratt
Assistant Examiner — Katie Mroczka
(74) *Attorney, Agent, or Firm* — Christensen O'Connor
Johnson Kindness PLLC

See application file for complete search history.

(57) **CLAIM**
The ornamental design for a control panel for a coordinate input device, as shown and described.

(56) **References Cited**

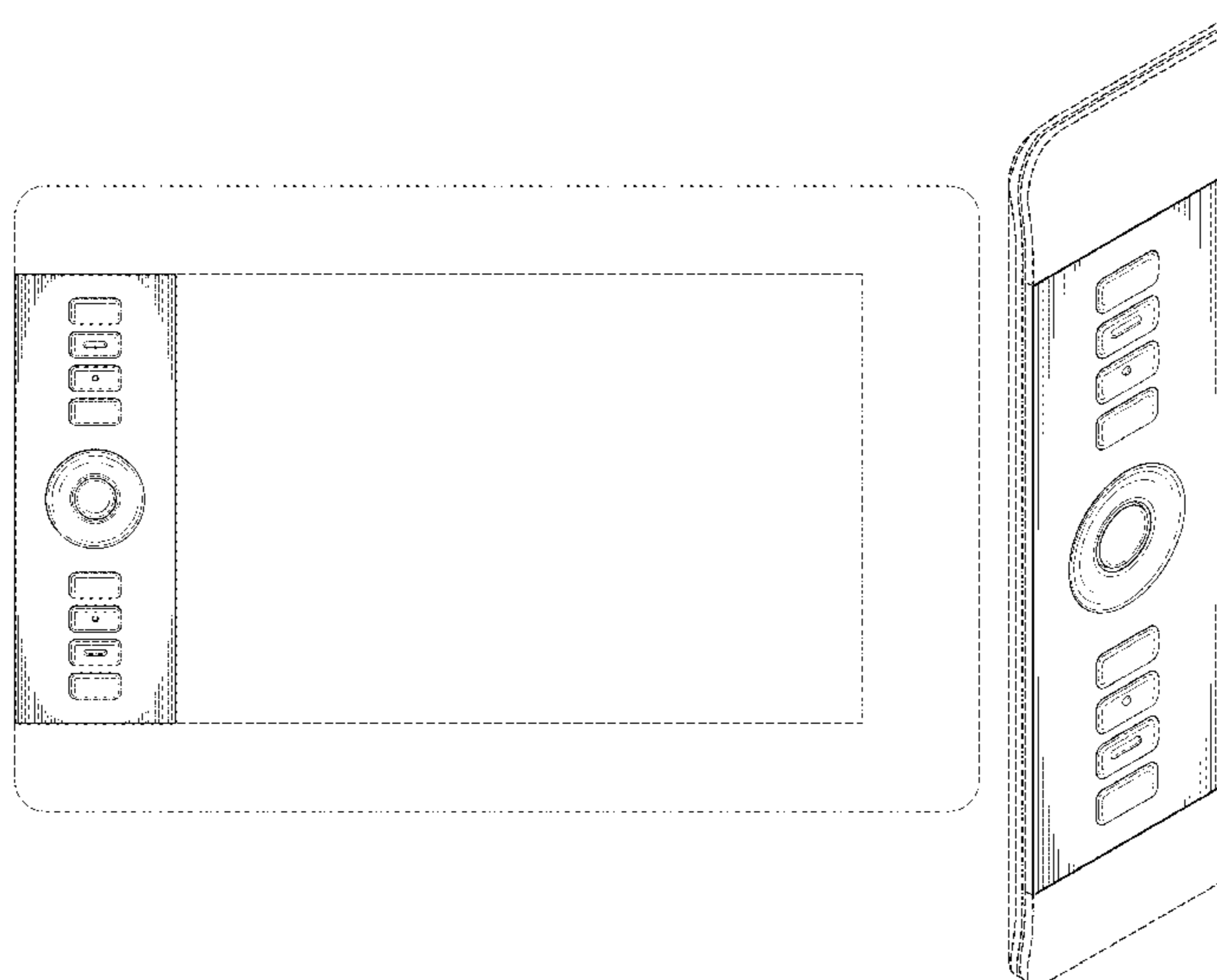
U.S. PATENT DOCUMENTS

5,661,632 A * 8/1997 Register 361/679.3
7,002,604 B1 * 2/2006 Barrus et al. 345/649
D524,308 S * 7/2006 Lai D14/346
7,469,387 B1 * 12/2008 Haitani et al. 715/840
7,487,470 B2 * 2/2009 Haitani et al. 715/864

DESCRIPTION

FIG. 1 is a front elevation view of a control panel for a coordinate input device showing our new design; FIG. 2 is a rear elevation view thereof; FIG. 3 is a left side elevation view thereof; FIG. 4 is a right side elevation view thereof; FIG. 5 is a top plan view thereof, wherein the bottom plan view is the same as the top plan view; FIG. 6 is a top front left isometric view thereof; and, FIG. 7 is a close up view of portion A-A of FIG. 6. The broken lines shown in FIGS. 1-7 illustrate environmental subject matter and form no part of the claimed design.

1 Claim, 5 Drawing Sheets



(56)

References Cited

U.S. PATENT DOCUMENTS

D679,274	S	*	4/2013	Canizares et al.	D14/341
D690,696	S	*	10/2013	Jonsson et al.	D14/390
D690,697	S	*	10/2013	Jonsson et al.	D14/390
D690,698	S	*	10/2013	Jonsson et al.	D14/390
D690,699	S	*	10/2013	Jonsson et al.	D14/390
D690,700	S	*	10/2013	Jonsson et al.	D14/390
2005/0140576	A1	*	6/2005	Sawada et al.	345/30
2014/0132854	A1	*	5/2014	Wu et al.	349/12

OTHER PUBLICATIONS

Digital Tablet—New Delhi [online]. IndiaMART InterMESH Ltd., 2013 [retrieved on Jun. 9, 2014]. Retrieved from the Internet: <URL: <http://trade.indiamart.com/details.mp?offer=4492636762#>>.*
“Virtuoso T5000 (Kanvus Virtuoso T5000),” Product Information, Kanvus, Jhonghe City, Taiwan, <http://www.kanvus-global.com/main/prod_in.aspx?mnuid=1524&modid=26&prodid=454&flag=1> [retrieved Feb. 13, 2013].

* cited by examiner

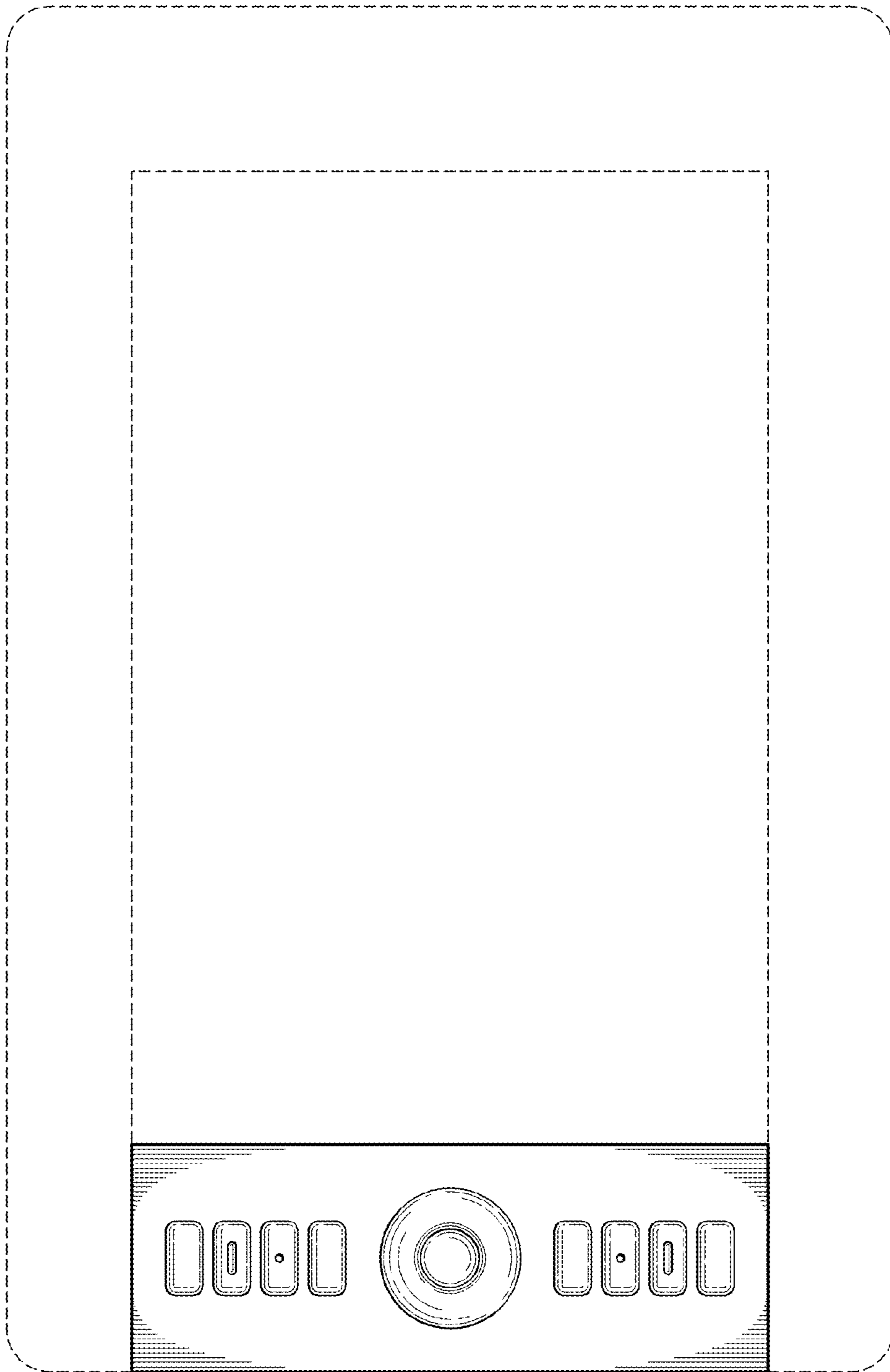


Fig. 1.

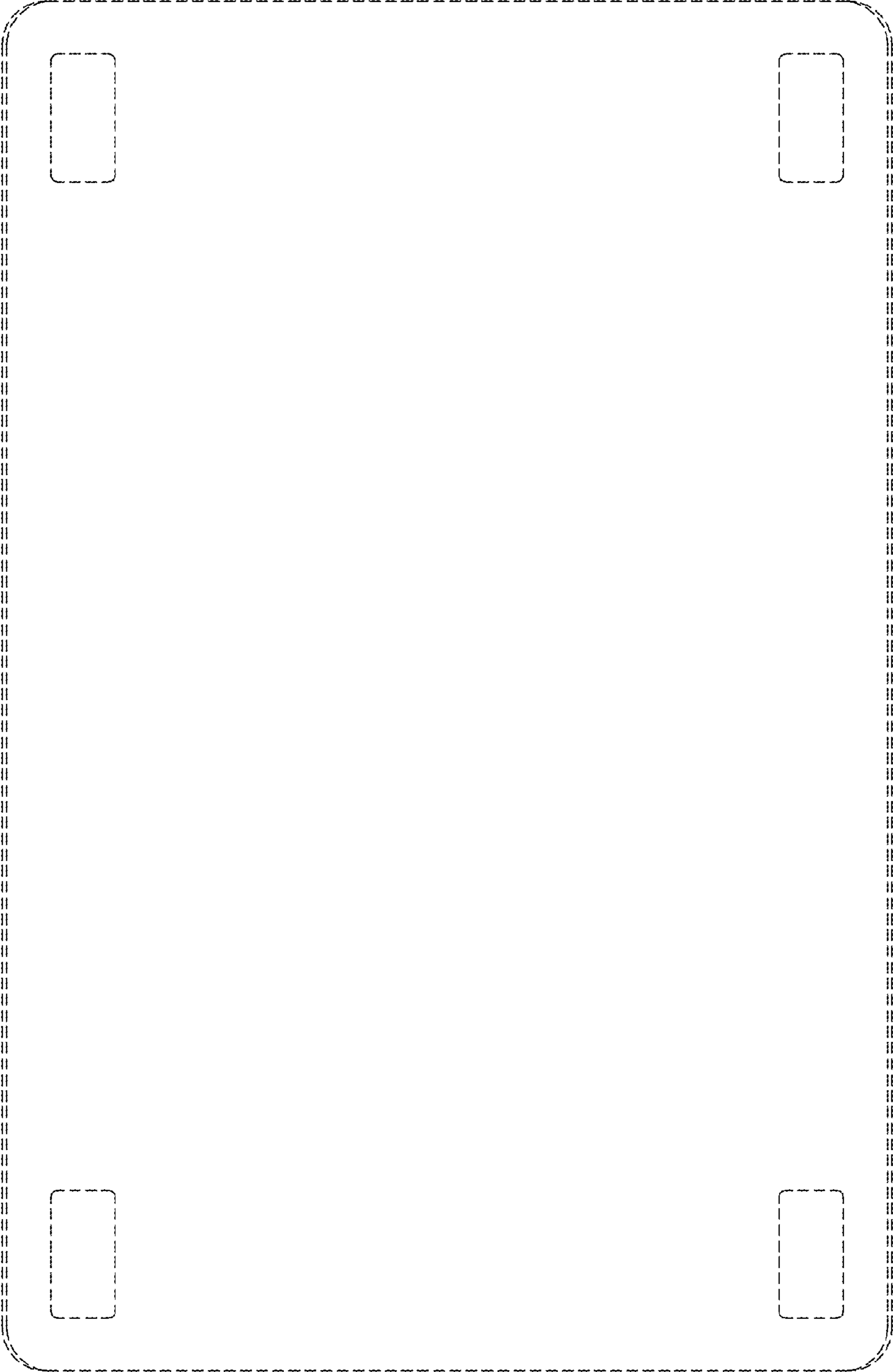


Fig. 2.

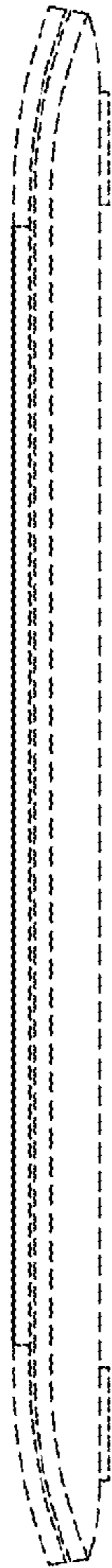


Fig. 3.

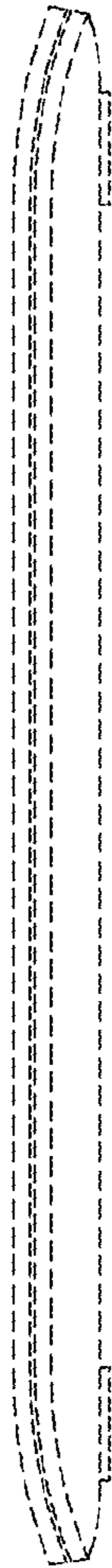


Fig. 4.

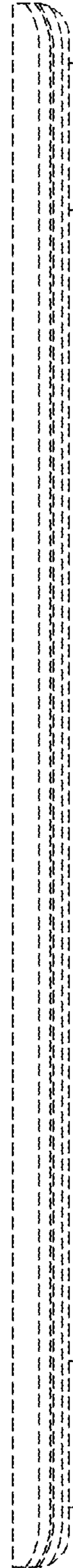


Fig. 5.

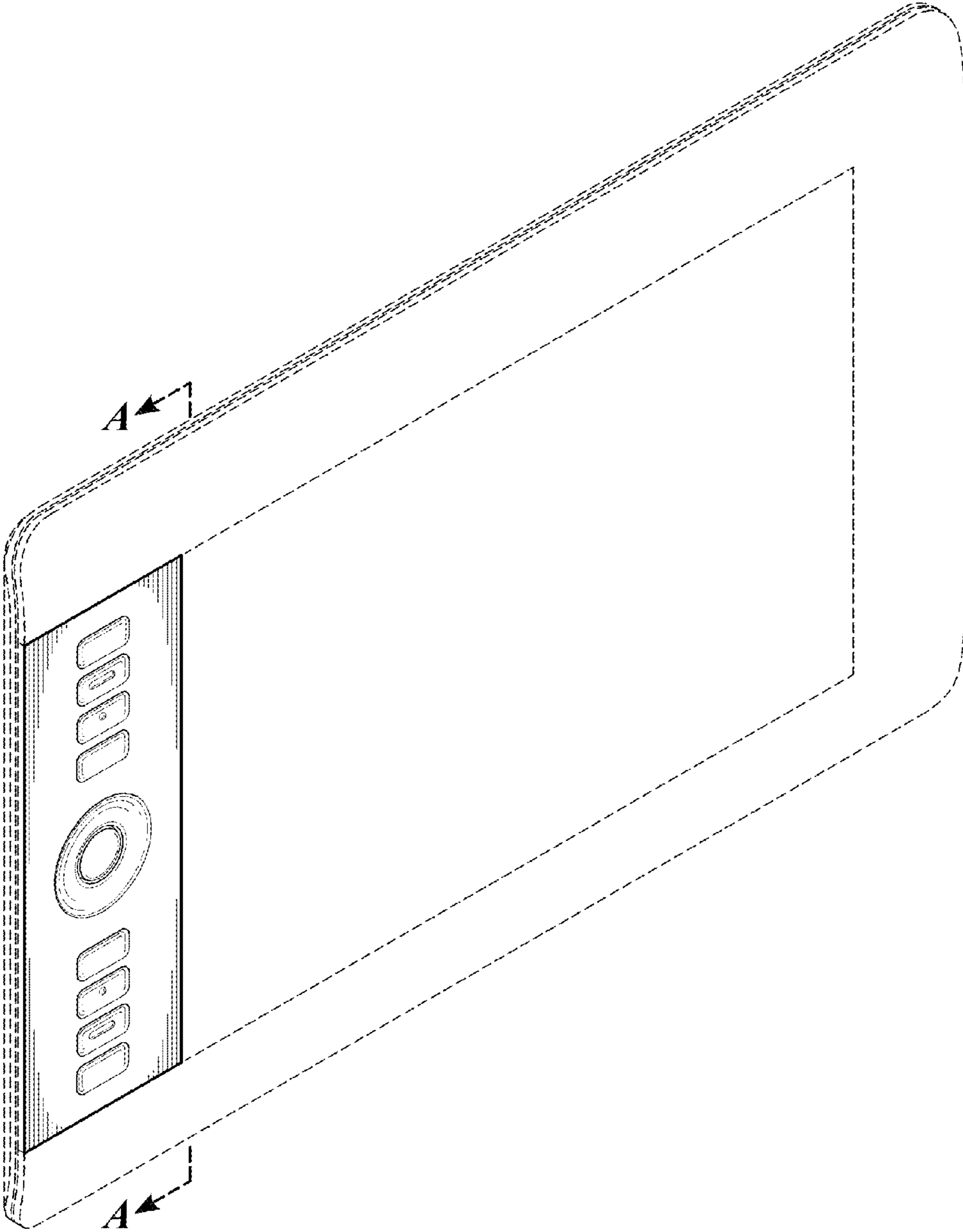


Fig. 6.

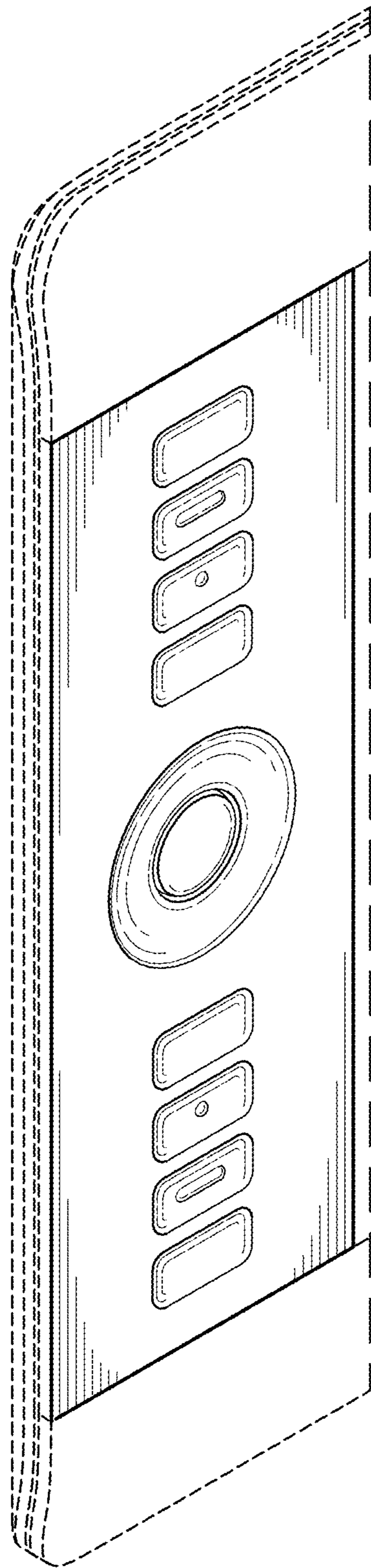


Fig. 7.