



US00D722053S

(12) **United States Design Patent**
Wang

(10) **Patent No.:** **US D722,053 S**
(45) **Date of Patent:** **** Feb. 3, 2015**

(54) **CONTROL HUB**

(71) Applicant: **iSmart Alarm, Inc.**, Sunnyvale, CA
(US)

(72) Inventor: **Renda Wang**, Tianjin (CN)

(73) Assignee: **iSmart Alarm, Inc.**, Sunnyvale, CA
(US)

(**) Term: **14 Years**

(21) Appl. No.: **29/456,985**

(22) Filed: **Jun. 6, 2013**

(30) **Foreign Application Priority Data**

Dec. 31, 2012 (CN) 2012 3 0664490

(51) **LOC (10) Cl.** **14-03**

(52) **U.S. Cl.**
USPC **D14/358**

(58) **Field of Classification Search**
USPC 200/5 A, 5 R, 6 A, 6 R; 320/107,
320/108-115; D3/216, 218; D6/466;
D8/396; D10/65, 78, 104, 104.1,
D10/105.1, 106.1; D13/78, 103, 108, 110,
D13/139-139.7, 147, 158, 171, 184, 199;
D14/100, 106, 107, 114, 125, 138 G,
D14/155, 168, 188, 203.3, 217, 240, 242,
D14/496

See application file for complete search history.

(56) **References Cited**

U.S. PATENT DOCUMENTS

D387,982 S * 12/1997 Kaplan D9/423
D461,187 S * 8/2002 Andre et al. D14/356
D526,640 S * 8/2006 Chin et al. D14/188
D571,351 S * 6/2008 Sogabe D14/168
D577,743 S * 9/2008 Liu D14/496
D598,906 S * 8/2009 Chiba et al. D14/240
D611,415 S * 3/2010 Andre et al. D13/138.1

D623,136 S * 9/2010 Andre et al. D13/138.1
D629,827 S * 12/2010 Morenstein et al. D16/221
D653,213 S * 1/2012 Andre et al. D13/138.1
D654,020 S * 2/2012 Au D13/108
D669,500 S * 10/2012 Dangerfield D14/496
D674,342 S * 1/2013 Ho D13/110
D683,314 S * 5/2013 Andre et al. D13/138.1
D690,280 S * 9/2013 Schul D14/188

FOREIGN PATENT DOCUMENTS

CN 302231641 * 12/2012
CN 302321839 * 2/2013
JP D1284317 * 10/2006

OTHER PUBLICATIONS

Boston Acoustics MSub [online]. Crutchfield New Media LLC, 2014 [retrieved on Feb. 4, 2014]. Retrieved from the Internet: <URL: http://www.crutchfield.com/p_065MSUB/Boston-Acoustics-MSub.html?tp=187>.*

(Continued)

Primary Examiner — Richard E Chilcot

(74) *Attorney, Agent, or Firm* — Houst Consulting

(57) **CLAIM**

I claim the ornamental design for a control hub, as shown and described.

DESCRIPTION

FIG. 1 is a front view of a control hub showing my new design;

FIG. 2 is a rear view thereof;

FIG. 3 is a top view thereof;

FIG. 4 is a left side view thereof;

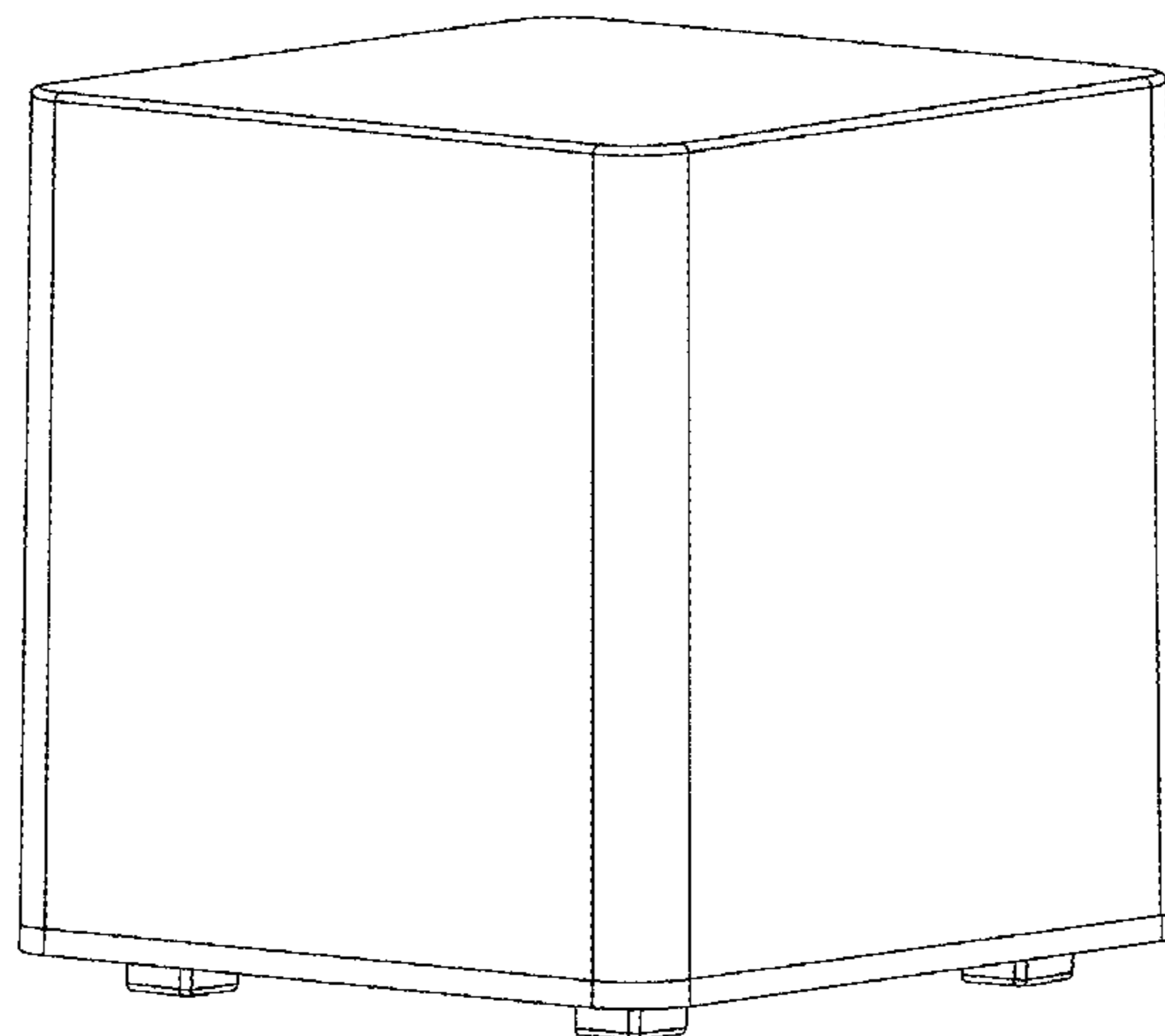
FIG. 5 is a bottom view thereof;

FIG. 6 is a right side view thereof; and,

FIG. 7 is a perspective view thereof.

The broken lines areas show environmental subject matter and form no part of the claimed design.

1 Claim, 7 Drawing Sheets



(56)

References Cited

OTHER PUBLICATIONS

Polk Audio DSW PRO 660wi [online]. Crutchfield New Media LLC, 2014 [retrieved on Feb. 4, 2014]. Retrieved from the Internet: <URL: http://www.crutchfield.com/p_107DSWP660/Polk-Audio-DSW-PRO-660wi.html?tp=187>.*

Velodyne SubContractor Series SC-12 Subwoofer and SC-1250 Power Amplifier [online]. Johnson, John E., 2006 [retrieved on Feb. 4, 2014]. Retrieved from the Internet: <URL: http://www.hometheaterhifi.com/volume_13_3/velodyne-sc-12-subwoofer-sc-1250-amplifier-8-2006-part-1.html>.*

* cited by examiner

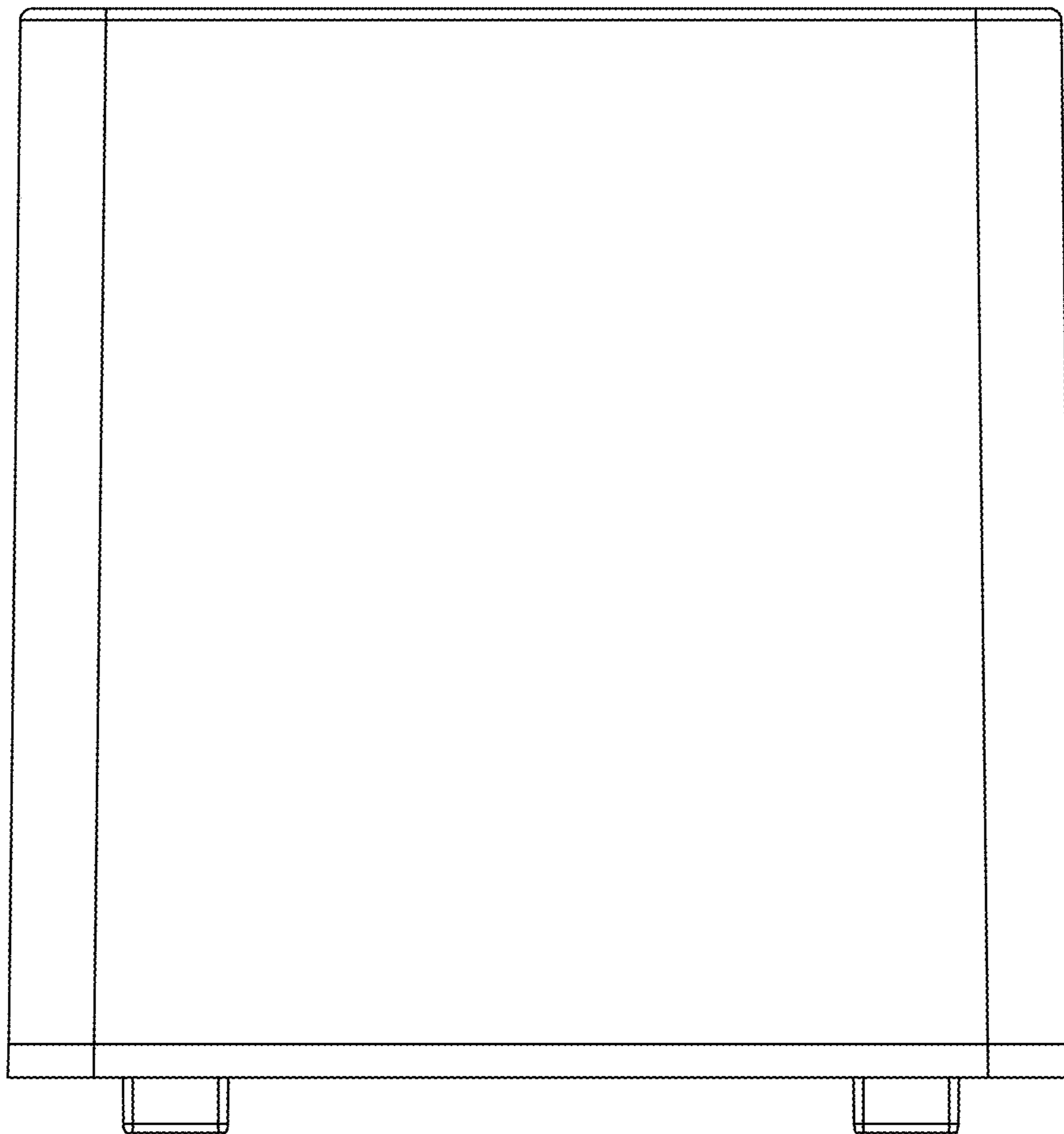


FIG. 1

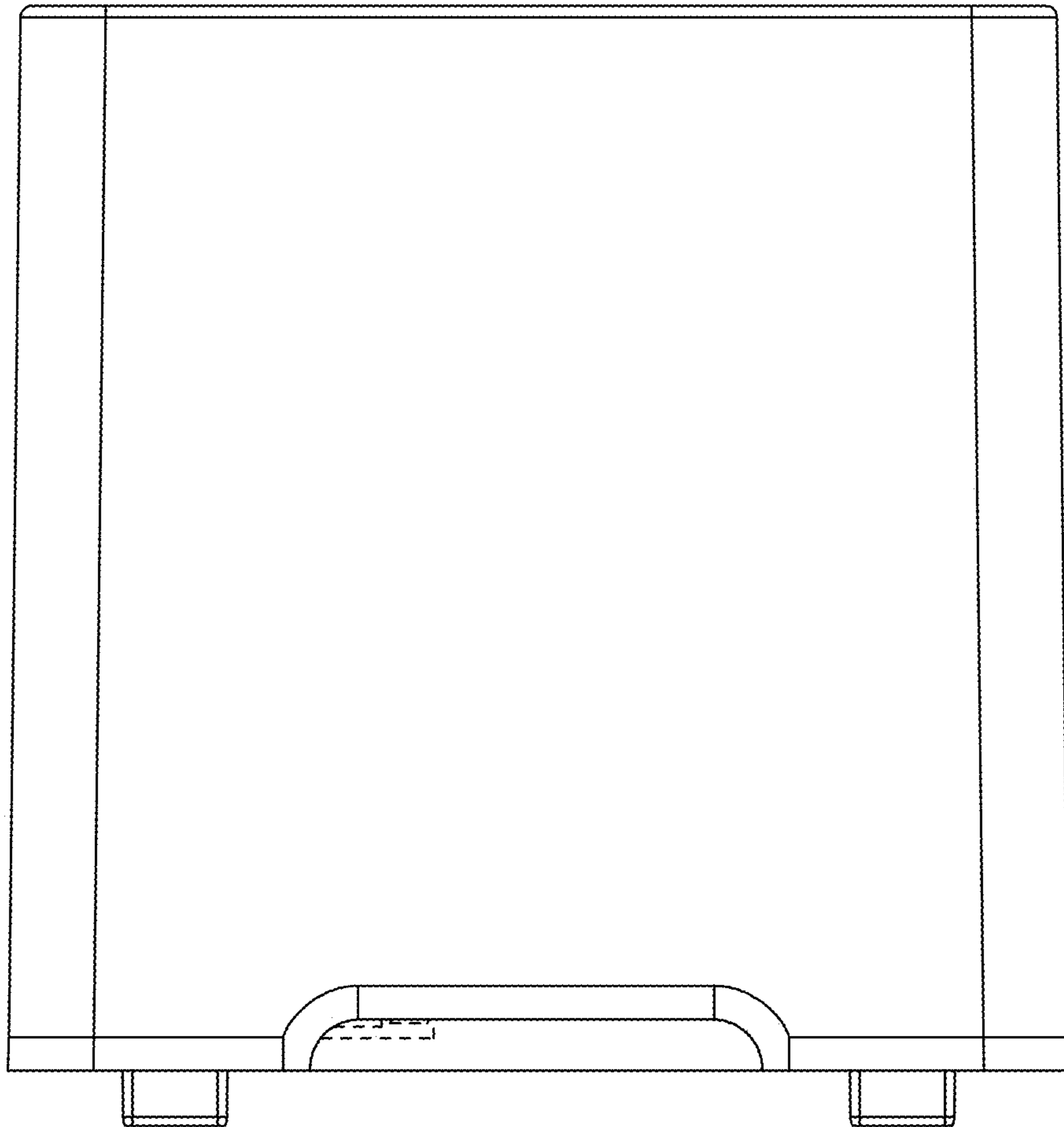


FIG. 2

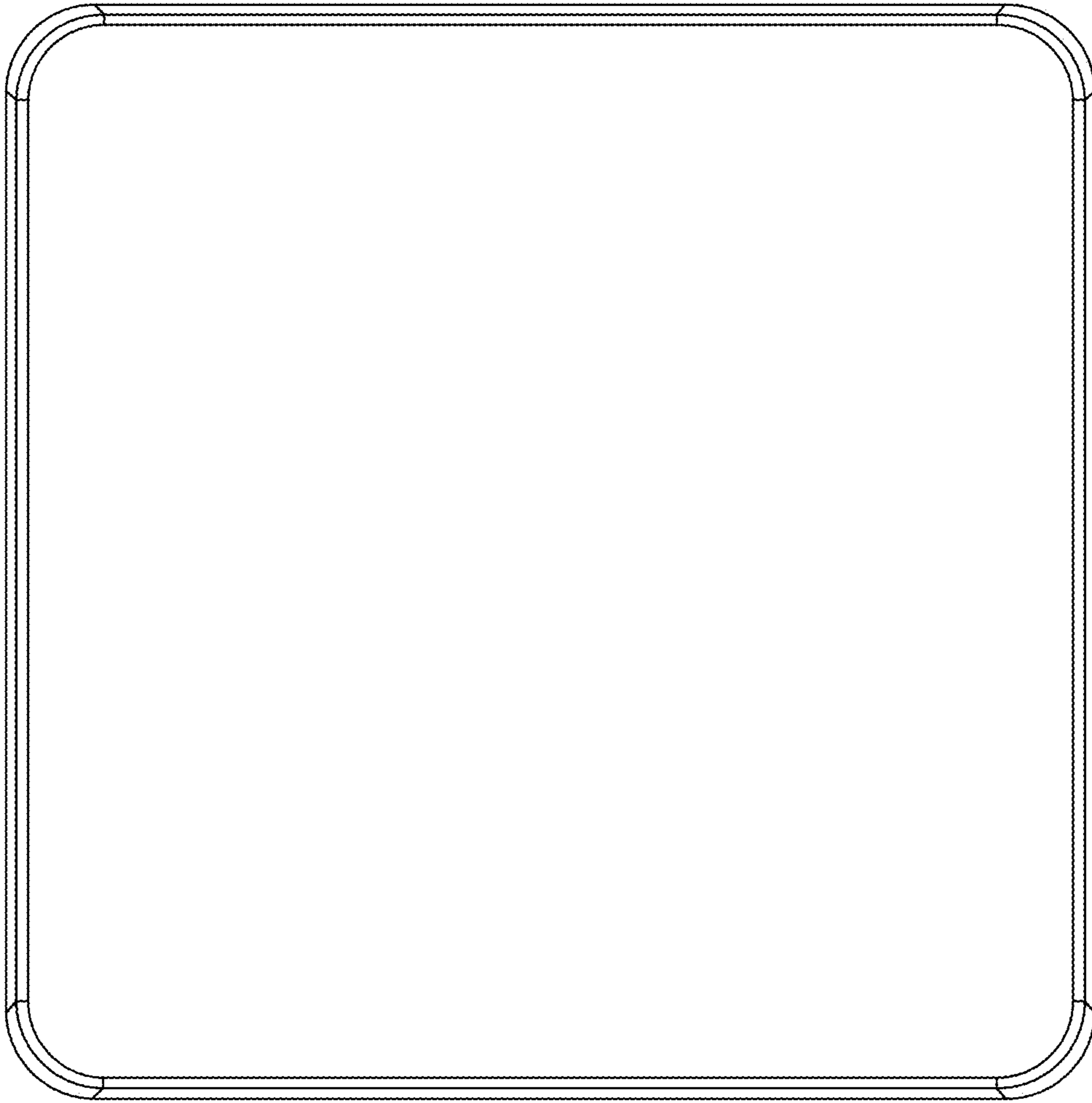


FIG. 3

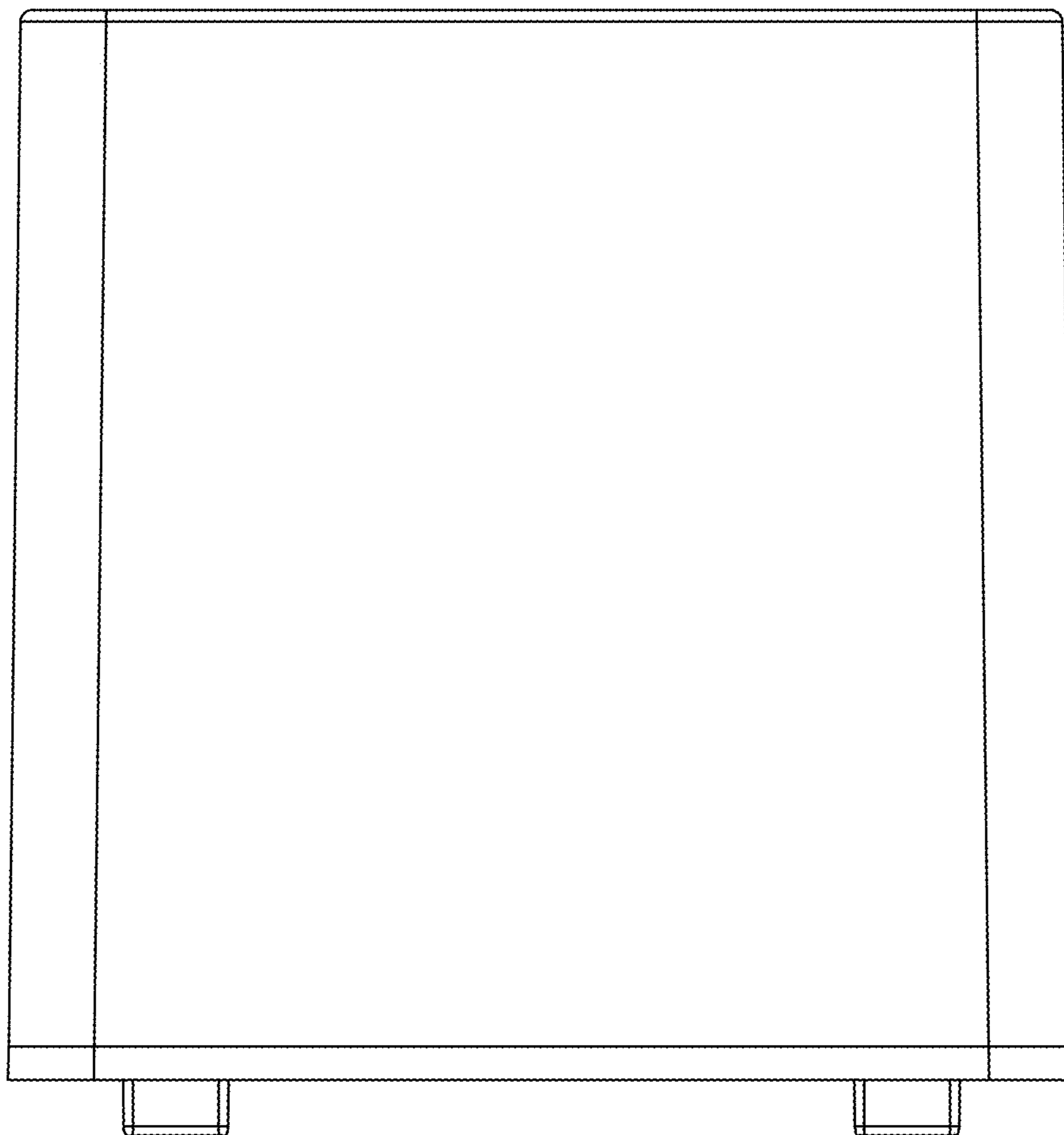


FIG. 4

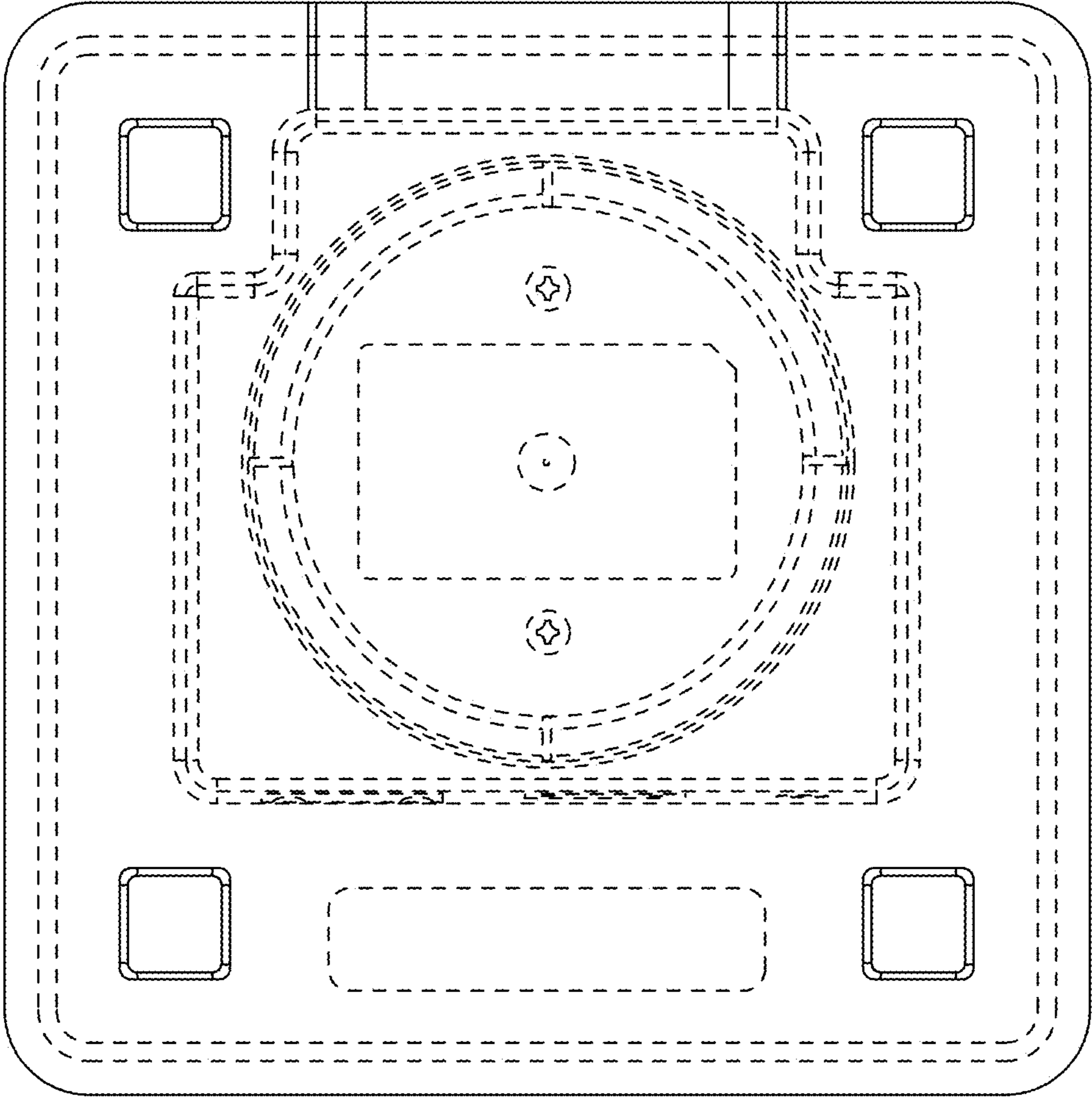


FIG. 5

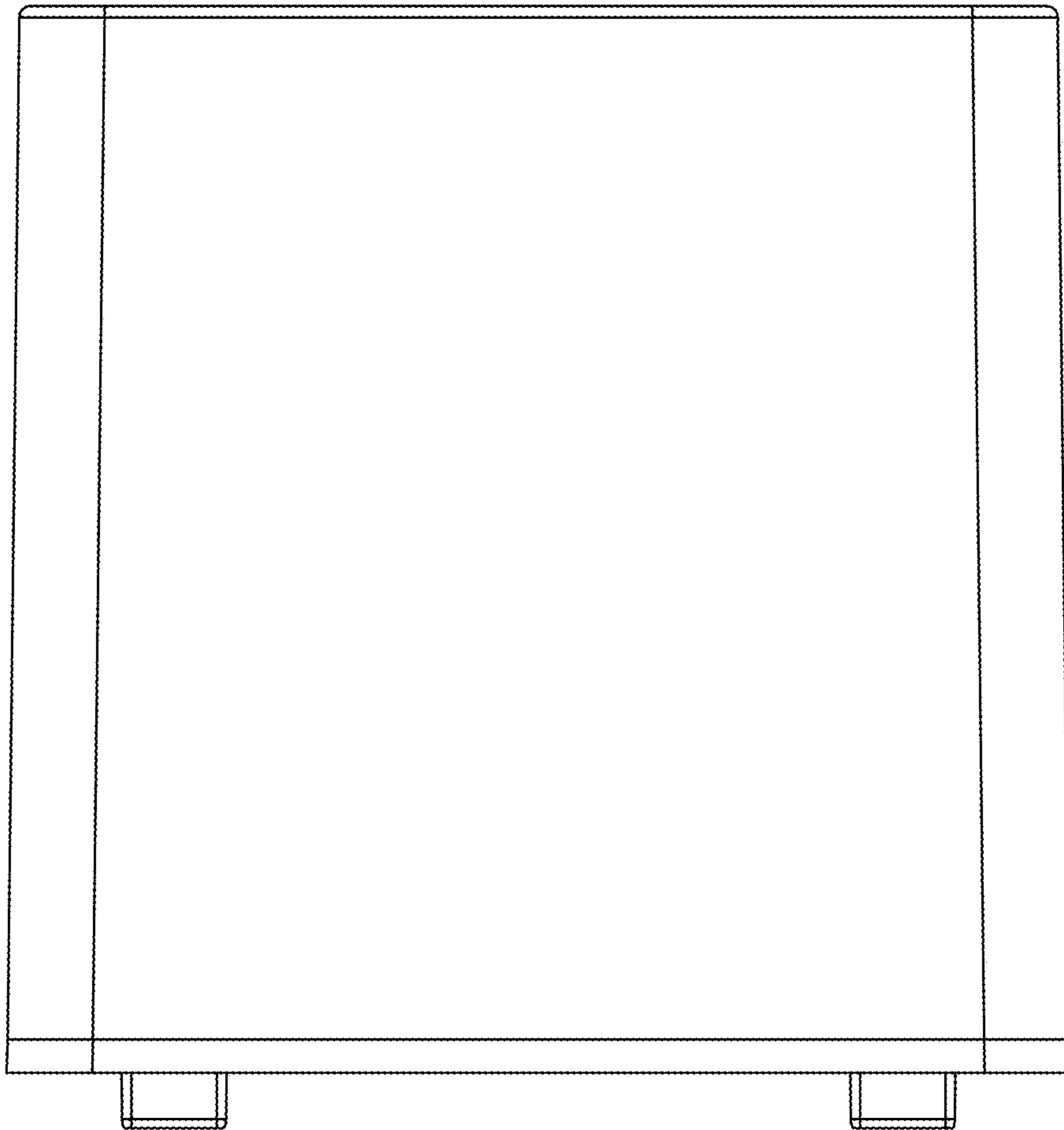


FIG. 6

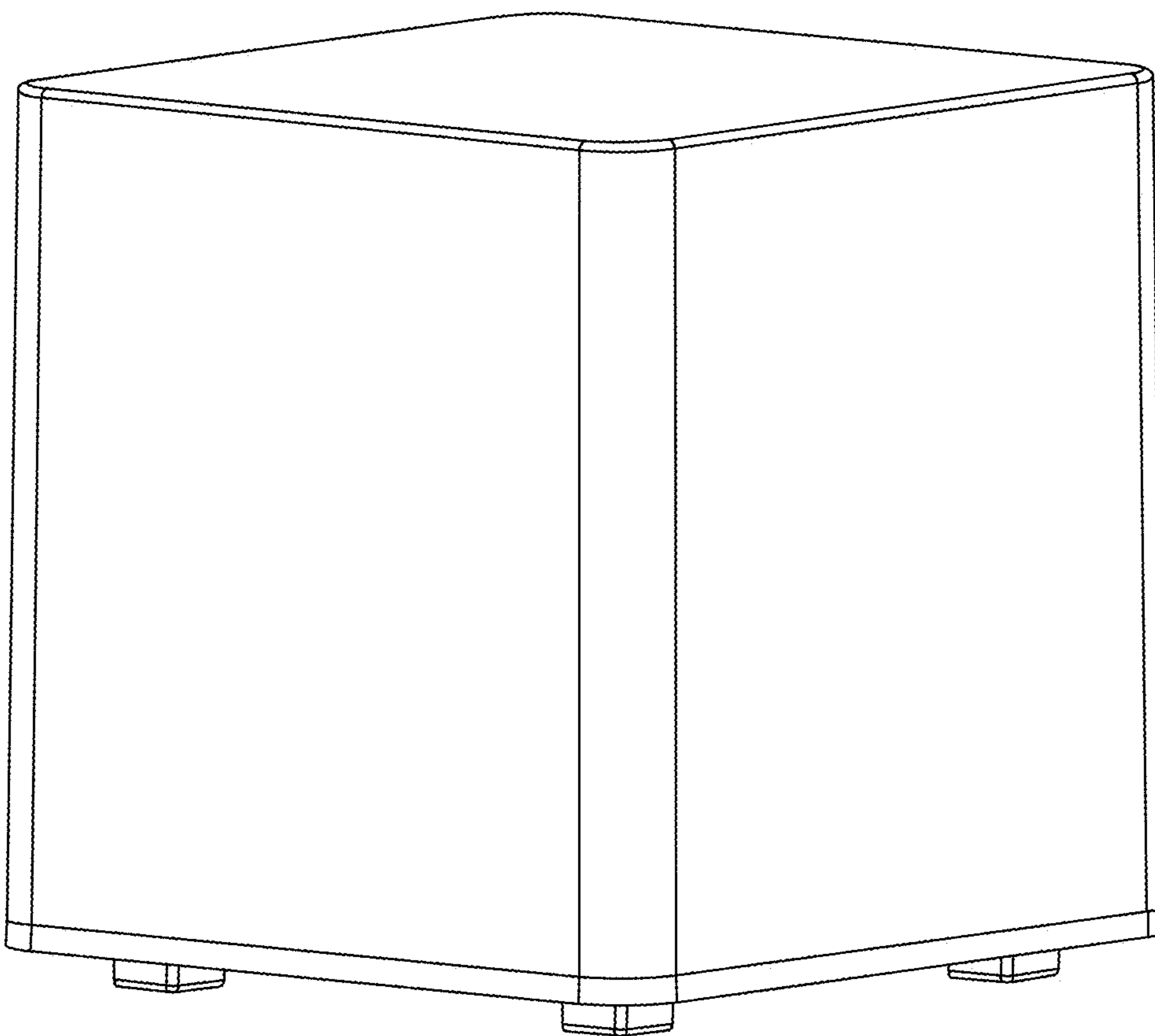


FIG. 7