



US00D722045S

(12) **United States Design Patent**
Mok et al.

(10) **Patent No.:** **US D722,045 S**
(45) **Date of Patent:** **** Feb. 3, 2015**

(54) **REMOTE CONTROL**

- (71) Applicant: **Fugoo Corporation**, Irvine, CA (US)
- (72) Inventors: **Kit Mok**, Lakewood, CA (US);
Alejandro Garfio, West Covina, CA (US); **Ho Koon Yau**, Yorba Linda, CA (US); **Howard Shi-How Cheng**, Irvine, CA (US)
- (73) Assignee: **Fugoo Corporation**, Irvine, CA (US)
- (**) Term: **14 Years**
- (21) Appl. No.: **29/478,343**
- (22) Filed: **Jan. 3, 2014**
- (51) **LOC (10) Cl.** **14-03**
- (52) **U.S. Cl.**
USPC **D14/218**
- (58) **Field of Classification Search**
USPC D14/138 R, 144, 155, 344, 402,
D14/492-196; D13/168; 224/168, 170, 219;
361/679.5; 368/10; 40/633;
D10/30-34, 65, 70, 128, 132, 106.13;
D11/2-4, 86; D24/138, 165
See application file for complete search history.

(56) **References Cited**

U.S. PATENT DOCUMENTS

D381,009 S *	7/1997	Nagata	D13/168
D426,637 S *	6/2000	Ochi et al.	D24/165
D442,094 S *	5/2001	Seo	D10/65
D450,313 S *	11/2001	Koinuma	D14/218
D468,274 S *	1/2003	Novak	D13/168
D474,816 S *	5/2003	Dickinson et al.	D21/566
D478,018 S *	8/2003	Adamosky	D10/65
D482,671 S *	11/2003	DiDonato	D14/144
D502,164 S *	2/2005	Ko et al.	D14/203.5

(Continued)

FOREIGN PATENT DOCUMENTS

AU	356694 S	*	7/2014
EP	946911-0001	*	4/1995
KR	300610677-0000	*	8/2011

OTHER PUBLICATIONS

Go Pro Hero 3 for sale on ebay, Google Publish date Jul. 4 2012, [online], [site visited Oct. 28, 2014], <<http://stores.ebay.ca/pangshi-digital-center>>.*

(Continued)

Primary Examiner — John Windmuller

Assistant Examiner — John R Yeh

(74) *Attorney, Agent, or Firm* — Knobbe Martens Olson & Bear LLP

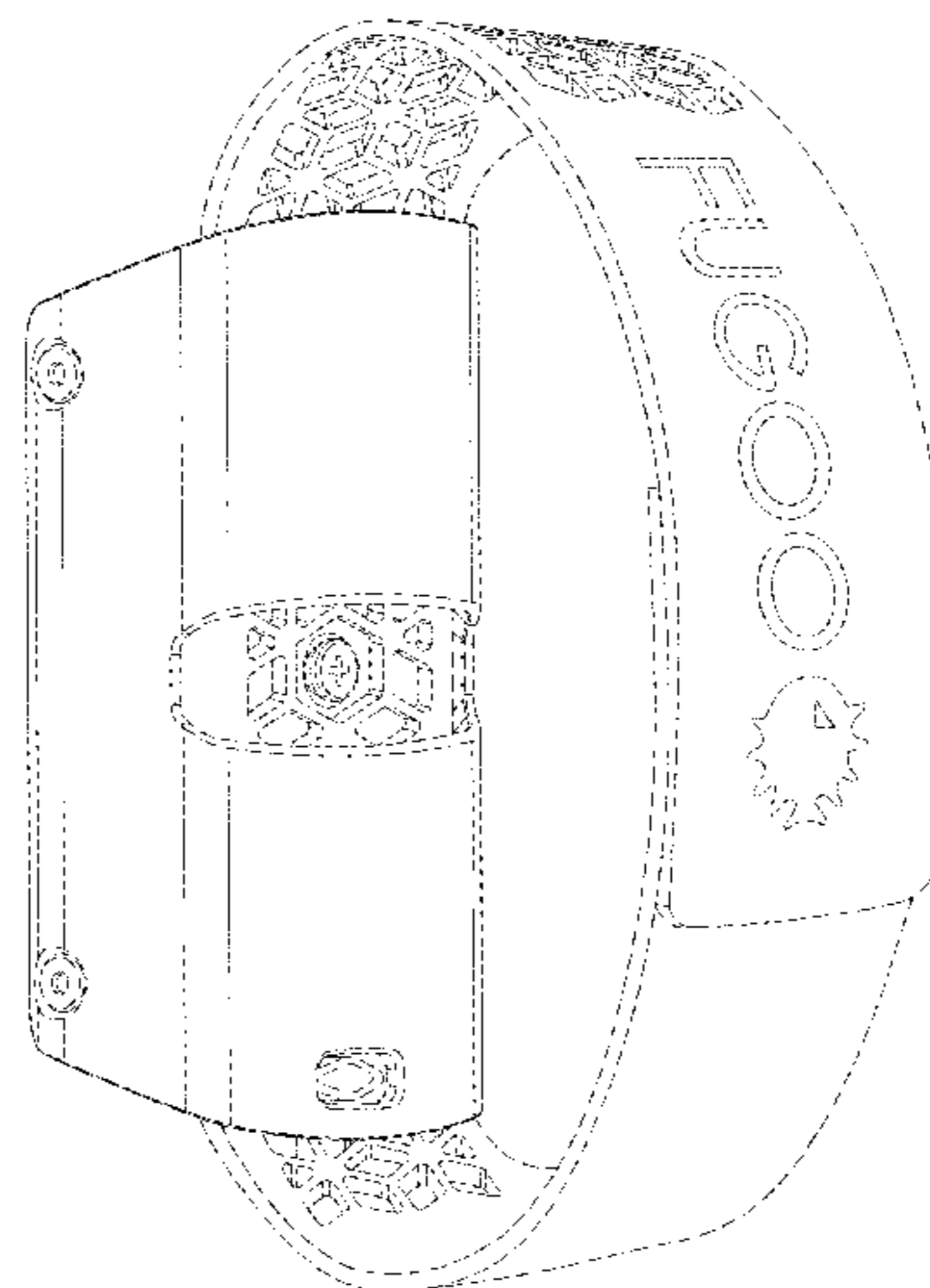
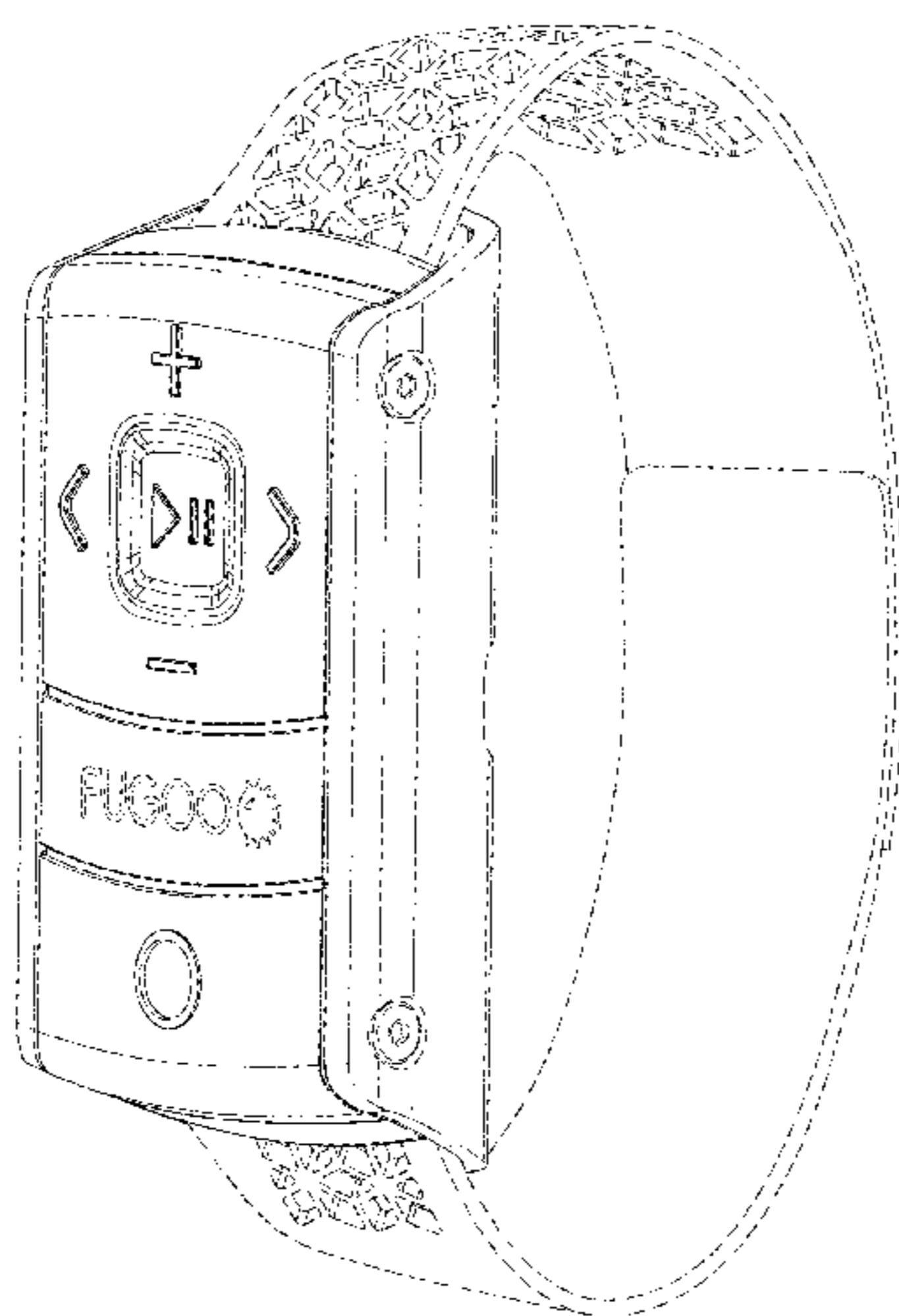
(57) **CLAIM**

The ornamental design for a remote control, as shown and described.

DESCRIPTION

FIG. 1 is a top, front and side perspective view of a remote control embodying my new design.
 FIG. 2 is a bottom, front and side perspective view thereof.
 FIG. 3 is a top view thereof.
 FIG. 4 is a bottom view thereof.
 FIG. 5 is a first side view thereof, the opposite side being a mirror image with the exception of the unclaimed logo.
 FIG. 6 is a front view thereof.
 FIG. 7 is a back view thereof.
 FIG. 8 is a top, front and side perspective view thereof showing an environment of the remote control with an unclaimed wrist strap; and,
 FIG. 9 is a bottom, front and side perspective view thereof.
 The broken lines, where shown, are for illustrative purposes only and form no part of the claimed design. The wrist strap shown in broken lines in FIGS. 8 and 9 illustrates one use and environment of the remote and forms no part of the claimed design.

1 Claim, 6 Drawing Sheets



(56)

References Cited

U.S. PATENT DOCUMENTS

D505,118 S * 5/2005 Arz et al. D13/168
D514,588 S * 2/2006 Sassano D14/496
D542,157 S * 5/2007 Lafever et al. D10/32
D551,215 S * 9/2007 Lee et al. D14/218
D574,496 S * 8/2008 Kitamura et al. D24/165
D618,203 S * 6/2010 Bradford D14/203.2
D624,593 S * 9/2010 Prendiville et al. D19/62
D647,883 S * 11/2011 Kim et al. D14/218
D647,919 S * 11/2011 Akana et al. D14/496
D664,046 S * 7/2012 Claessens D10/32
D673,953 S * 1/2013 Li et al. D14/411
D678,218 S * 3/2013 Sheen D13/168

D689,862 S * 9/2013 Liu D14/402
D704,166 S * 5/2014 Sung D14/218
D710,313 S * 8/2014 Charleux D13/168
2012/0255978 A1* 10/2012 Williams 224/219

OTHER PUBLICATIONS

iPod wrist controller, The Register, Pub Date Nov. 17, 2005, [online], [site visited Oct. 26, 2014], <http://www.theregister.co.uk/2005/11/17/ipod_wrist_controlled>.*

Sony SmartWatch puts an Android device controller on your wrist, pub Apr. 3, 2012, [online], [site visited Oct. 26, 2014], <http://www.dvice.com/archives/2012/04/sony_smartwatch.php>.*

* cited by examiner

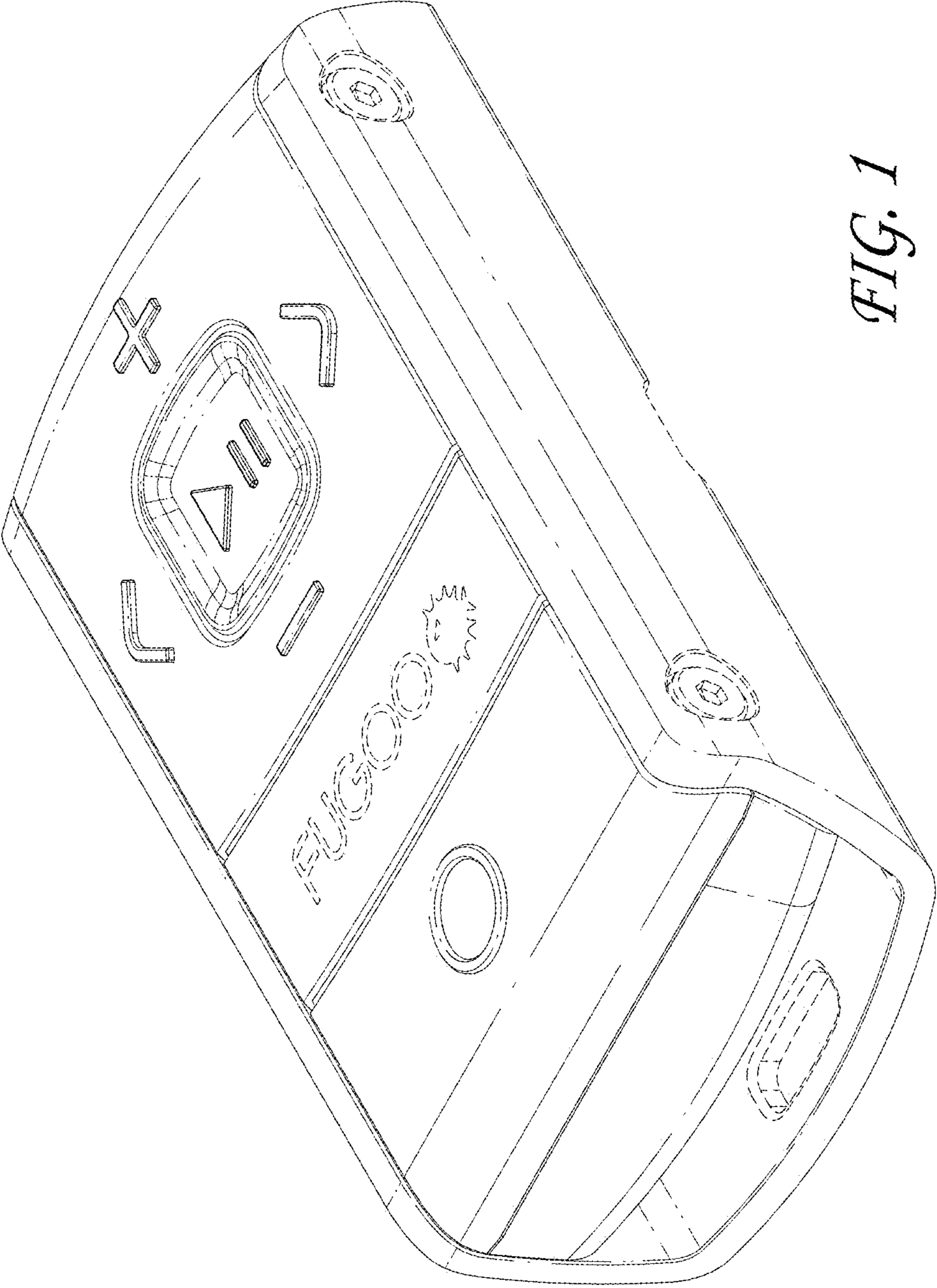


FIG. 1

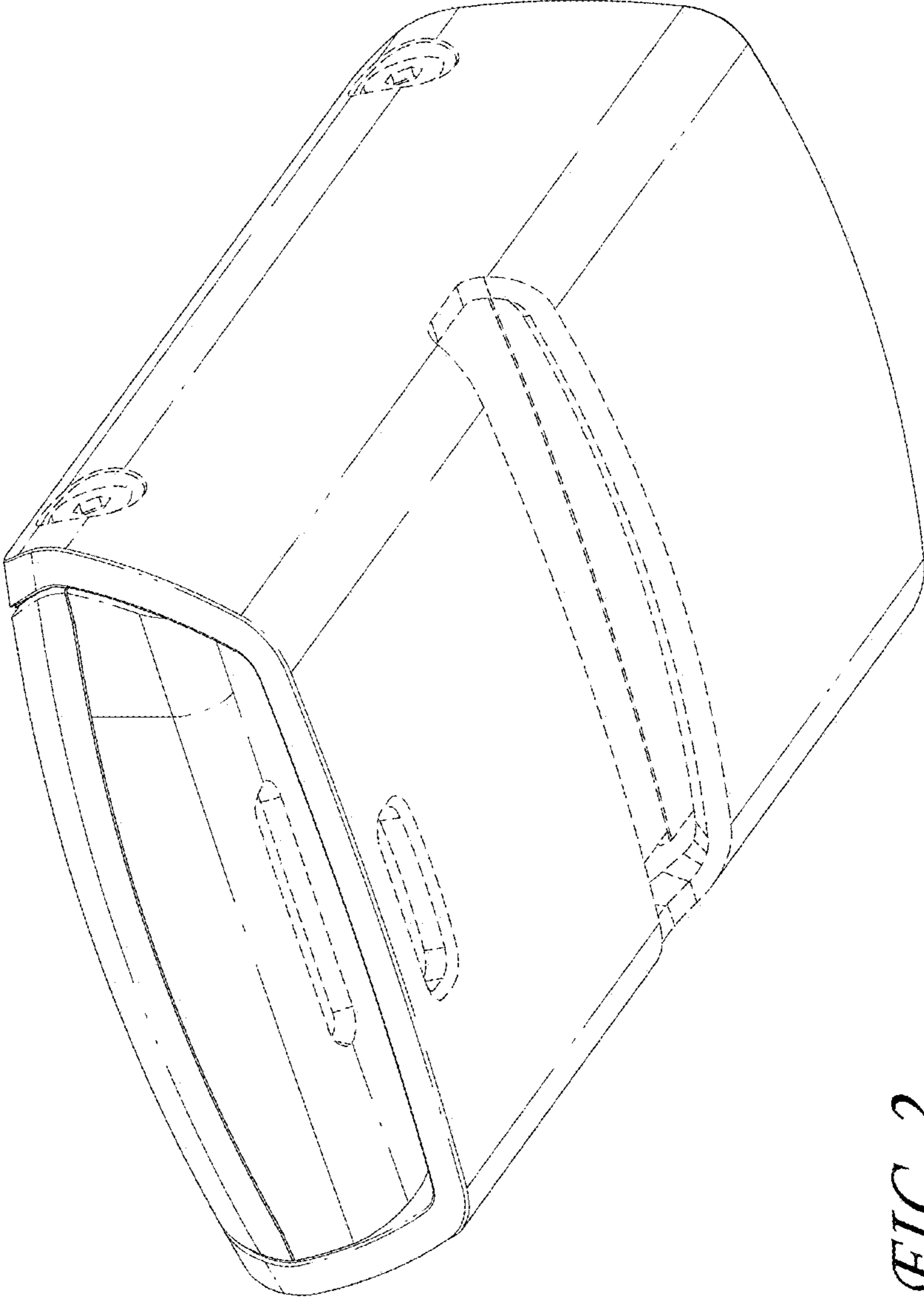


FIG. 2

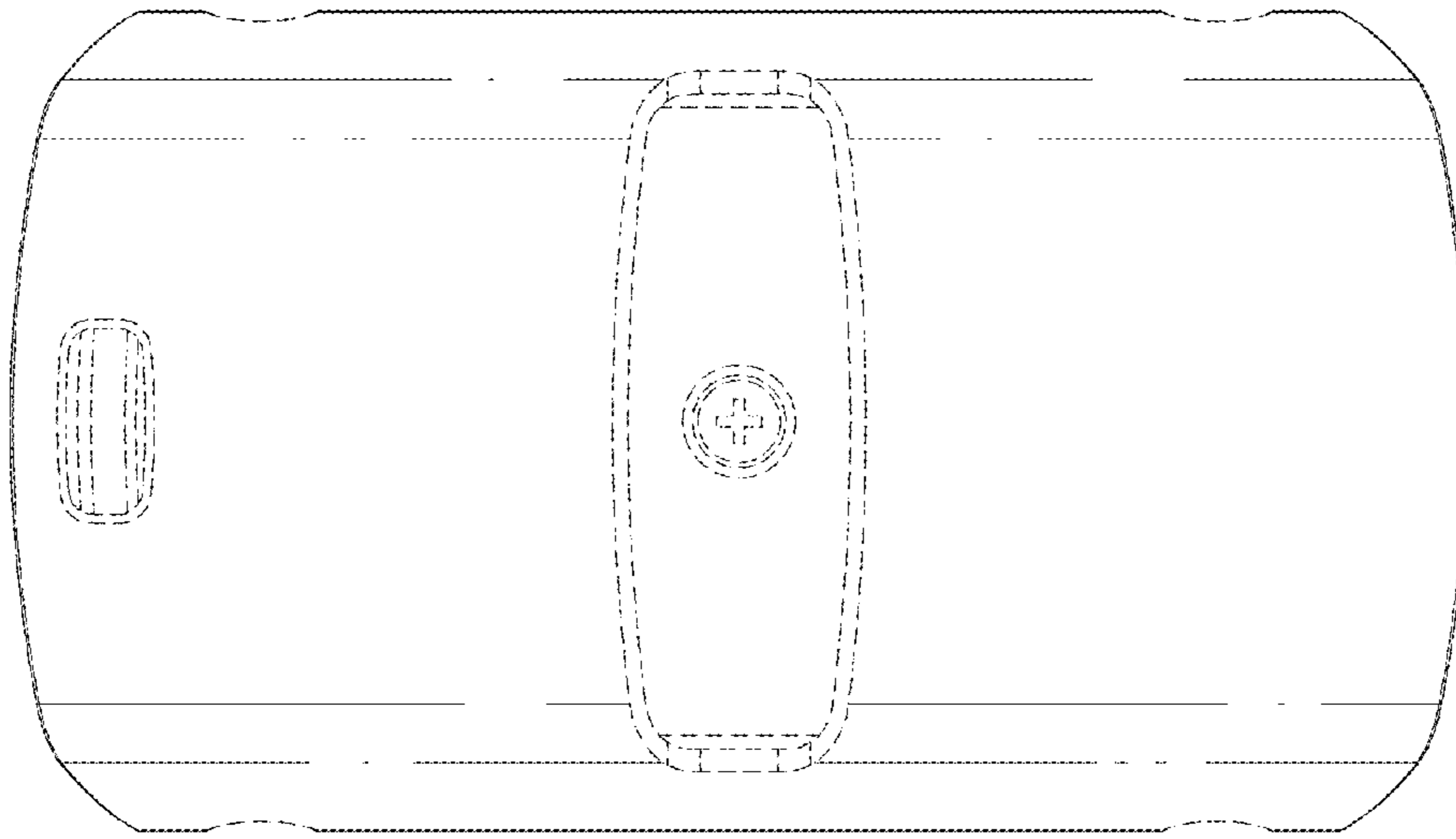


FIG. 4

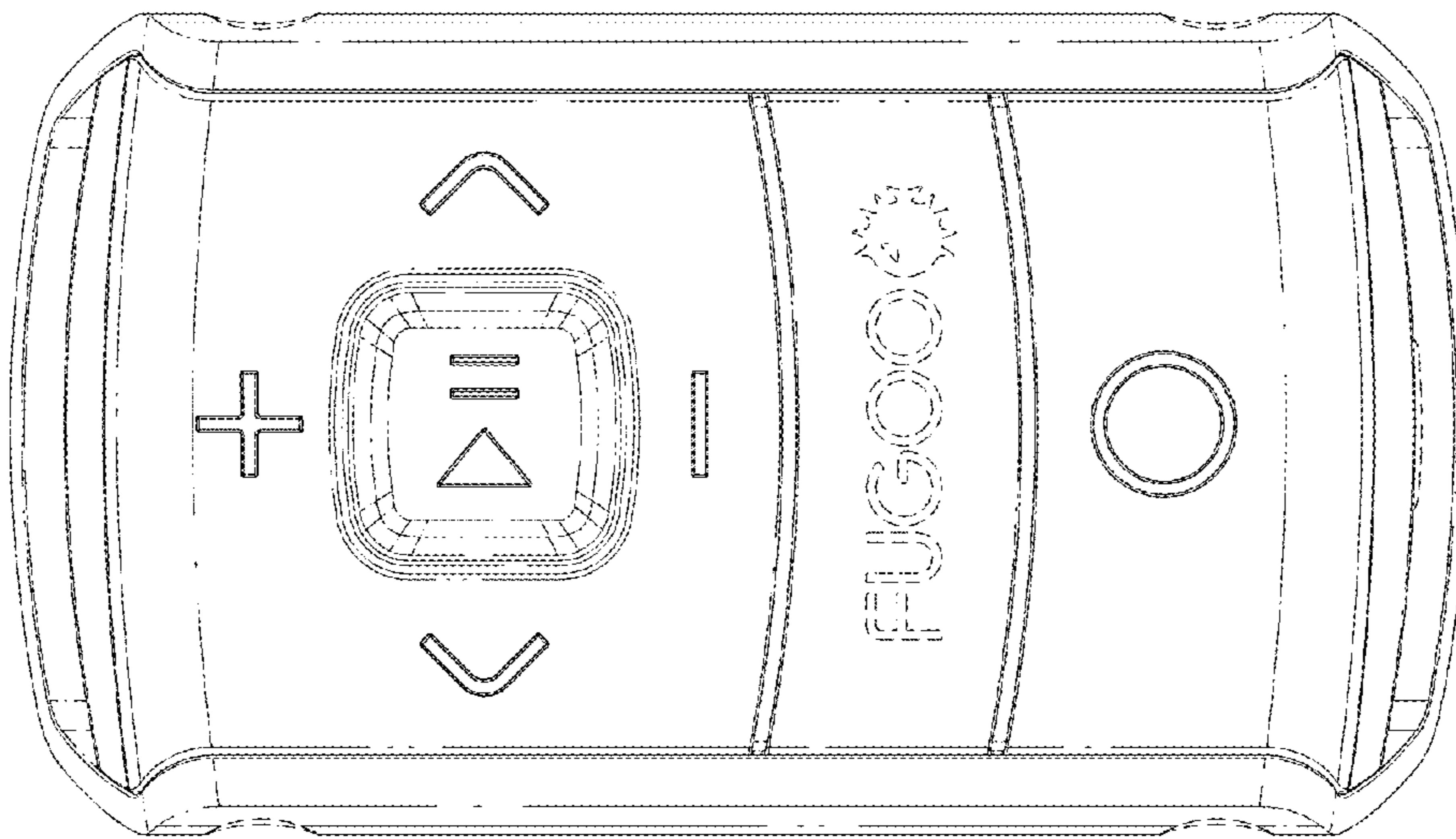


FIG. 3

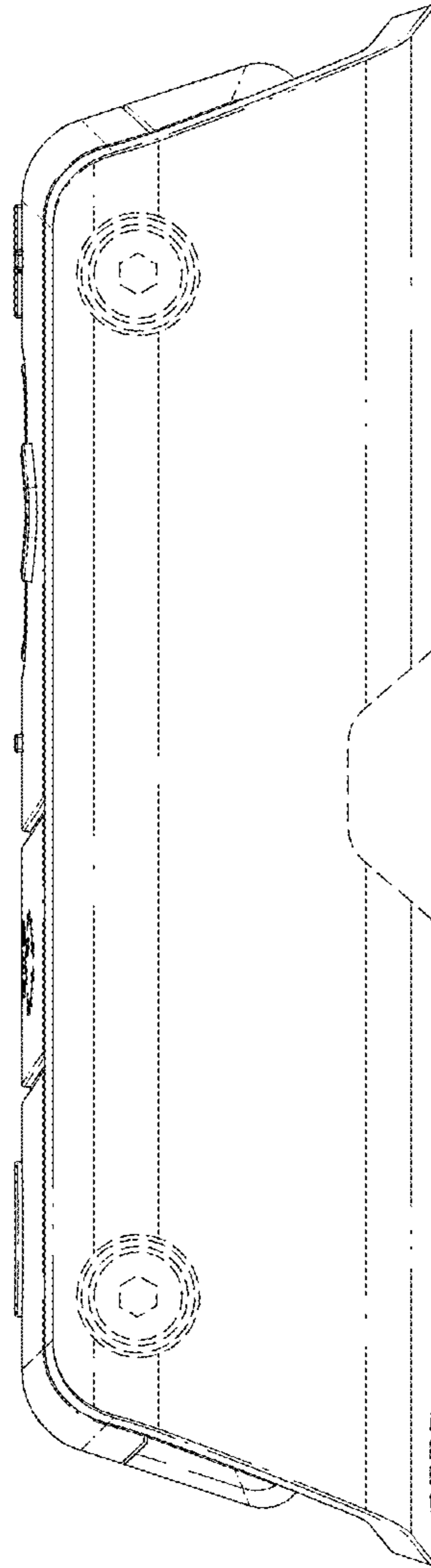


FIG. 5

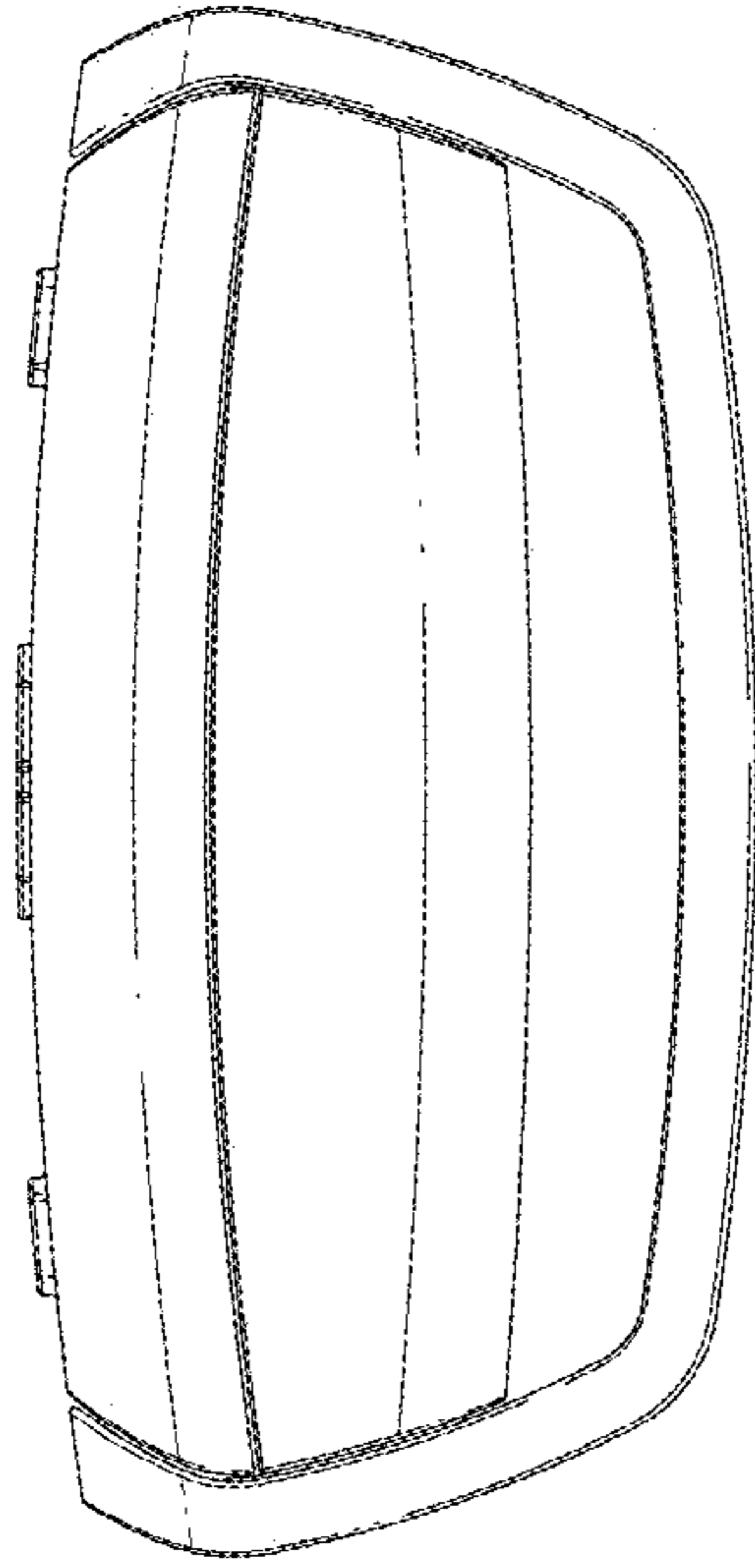


FIG. 7

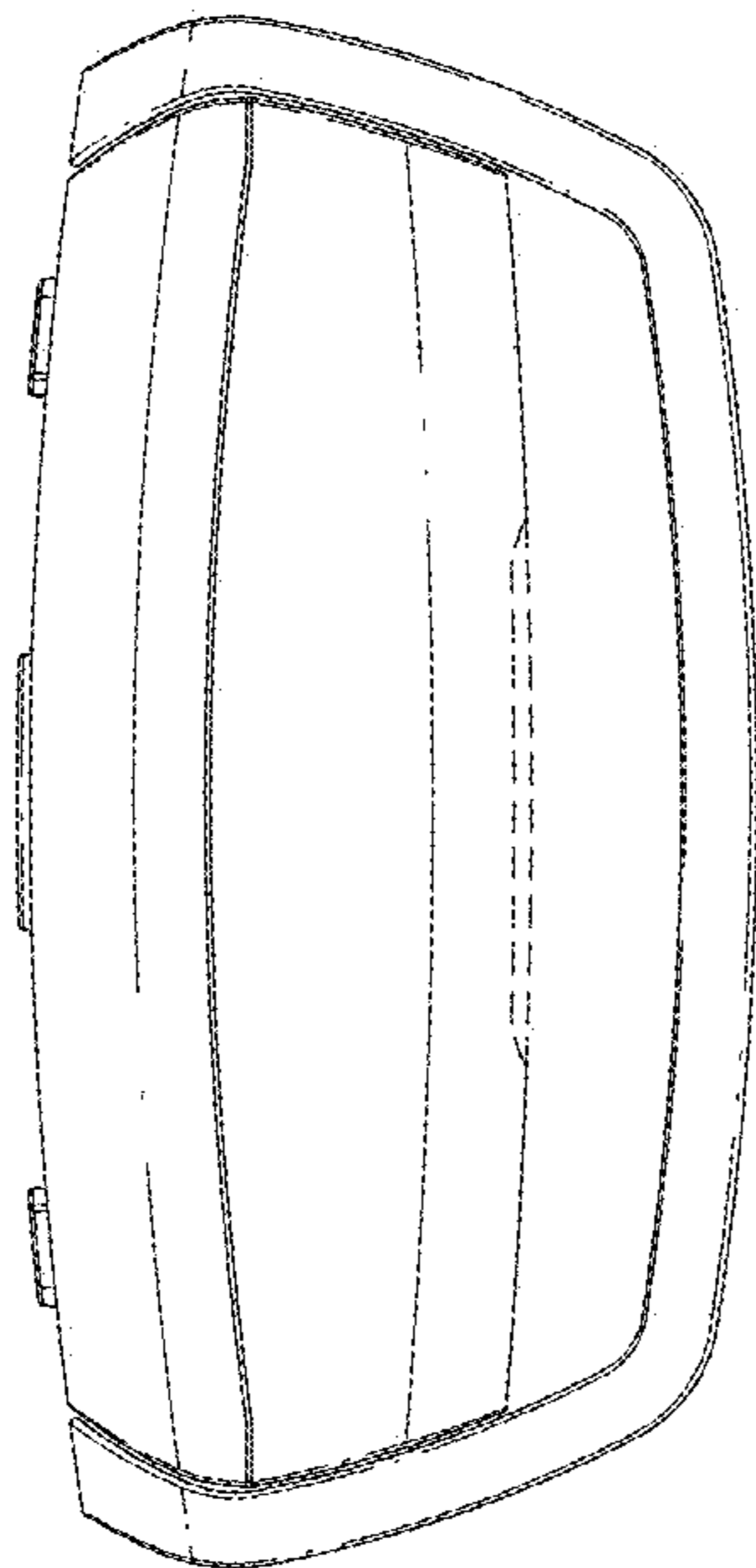


FIG. 6

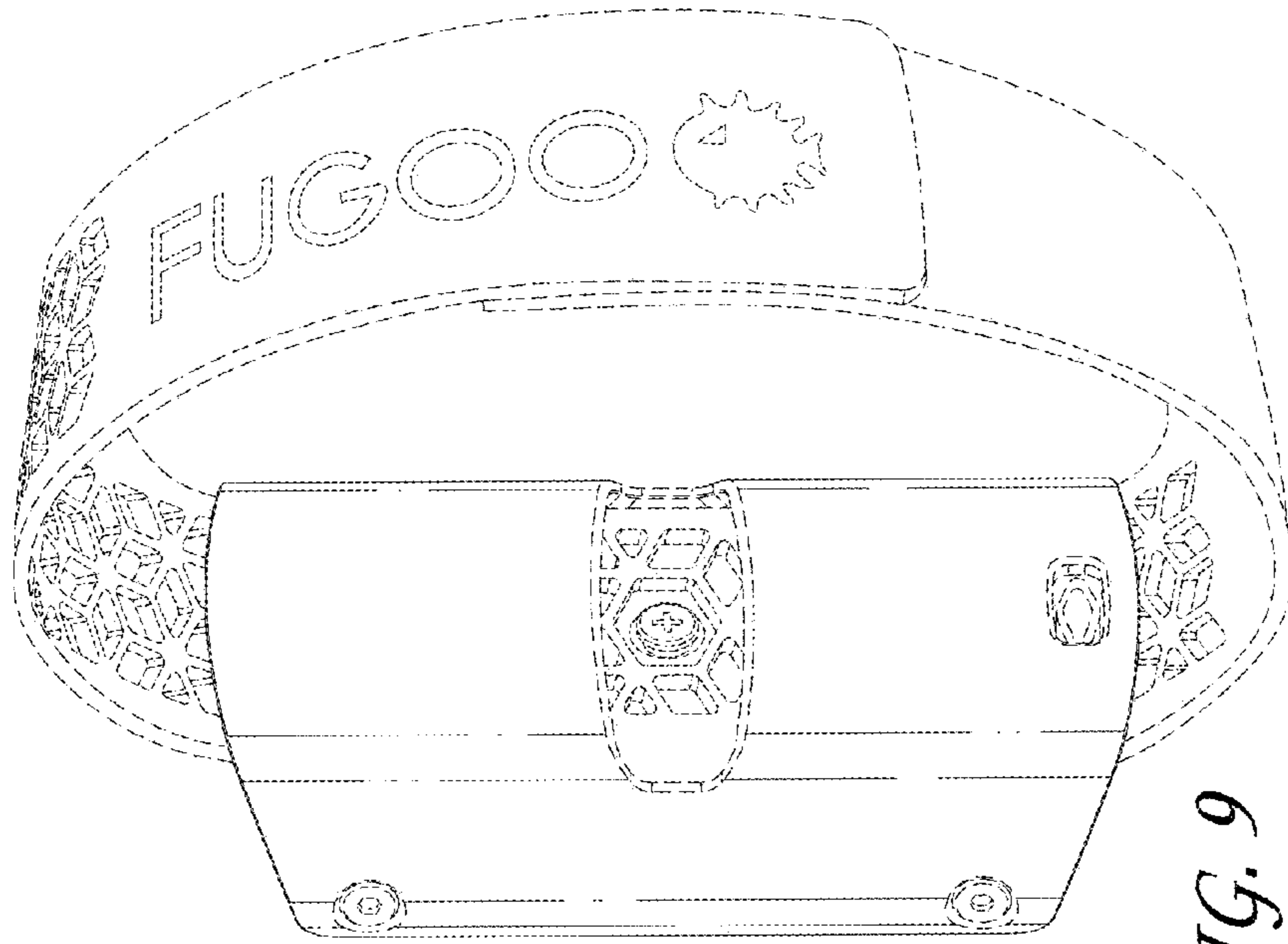


FIG. 9

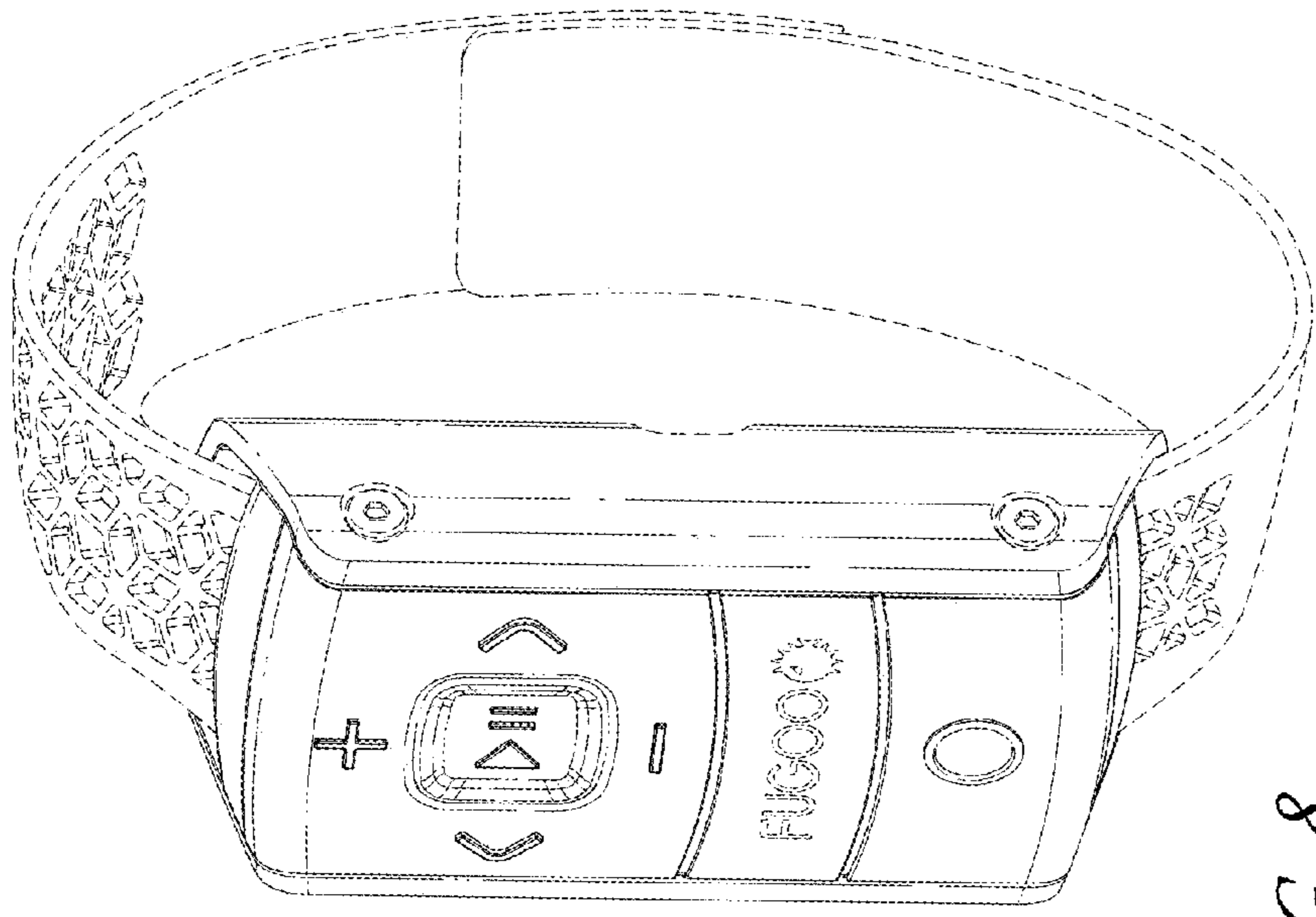


FIG. 8