



US00D722042S

(12) **United States Design Patent**
Nakamura

(10) **Patent No.:** **US D722,042 S**
(45) **Date of Patent:** **** Feb. 3, 2015**

(54) **WIRELESS SPEAKERS WITH CHARGING CRADLE**

(71) Applicant: **Michael Nakamura**, Crystal Lake, IL (US)

(72) Inventor: **Michael Nakamura**, Crystal Lake, IL (US)

(73) Assignee: **BEM Wireless LLC**, Woodstock, IL (US)

(**) Term: **14 Years**

(21) Appl. No.: **29/441,560**

(22) Filed: **Jan. 7, 2013**

(51) **LOC (10) Cl.** **14-03**

(52) **U.S. Cl.**
USPC **D14/209.1**

(58) **Field of Classification Search**
USPC D14/167, 168, 170–172, 188, 194–196, D14/204, 207, 209.1, 210–216, 219, 221, D14/222, 224, 496; 181/143, 144, 147, 148, 181/150, 153, 157, 198, 199; 381/300–303, 381/306, 332, 333, 336, 345, 361–364, 381/386–388; 369/6–12; D13/107, 108, D13/118

See application file for complete search history.

(56) **References Cited**

U.S. PATENT DOCUMENTS

D319,446 S *	8/1991	Yamamoto	D14/215
D497,896 S *	11/2004	Hussaini et al.	D14/168
D500,297 S *	12/2004	Chan	D14/148
D516,501 S *	3/2006	Ware, Jr.	D13/102
D579,443 S *	10/2008	Donovan et al.	D14/217
D597,525 S *	8/2009	Jha	D14/207
D598,906 S *	8/2009	Chiba et al.	D14/240
D601,546 S *	10/2009	Lee et al.	D14/209.1
D611,408 S *	3/2010	Ferber et al.	D13/108
D629,355 S *	12/2010	Bodley et al.	D13/108
D676,412 S *	2/2013	Holzer	D14/171

D682,248 S *	5/2013	Esslinger et al.	D14/172
D682,249 S *	5/2013	Esslinger	D14/172
D690,280 S *	9/2013	Schul	D14/188
D695,708 S *	12/2013	Szymanski et al.	D14/214
D695,709 S *	12/2013	Szymanski et al.	D14/214
D695,711 S *	12/2013	Szymanski et al.	D14/214

* cited by examiner

Primary Examiner — Keli L Hill

(74) *Attorney, Agent, or Firm* — Scherrer Patent & Trademark Law, P.C.; Stephen T. Scherrer; Monique A. Morneault

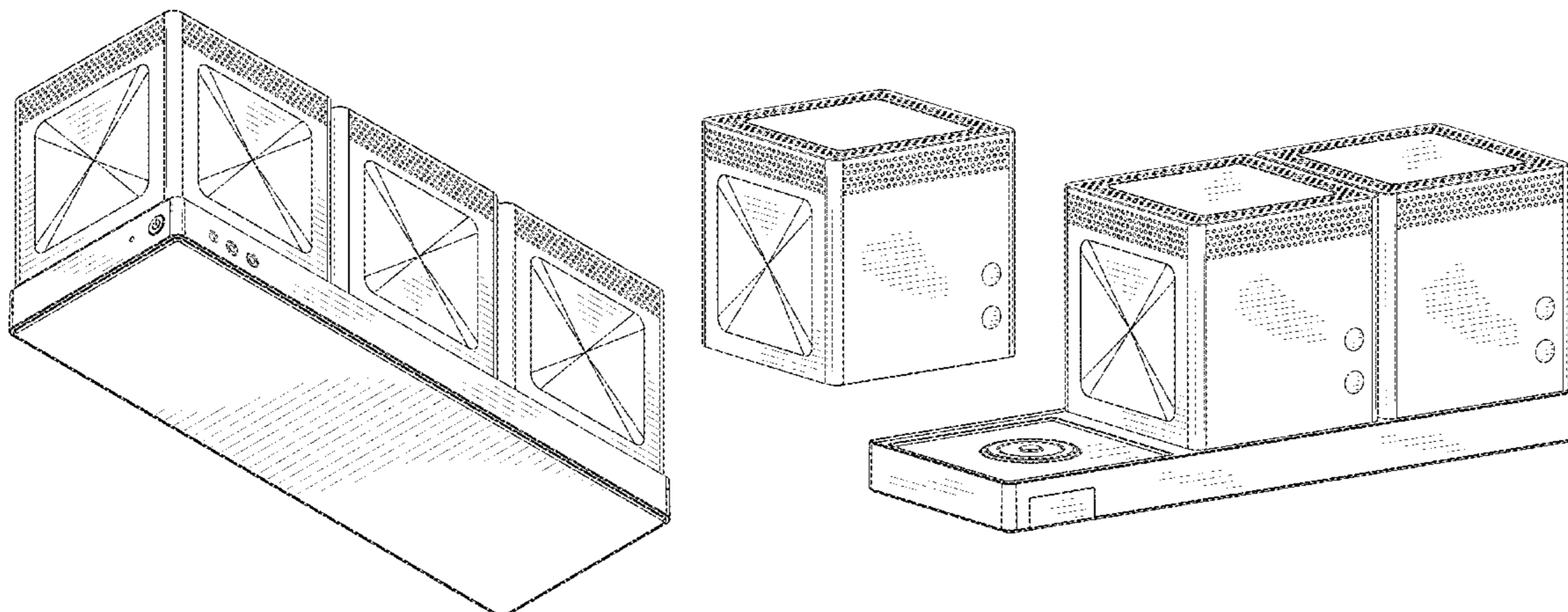
(57) **CLAIM**

The ornamental design for wireless speakers and a charging cradle, as shown and described.

DESCRIPTION

FIG. 1 is an elevated isometric view of a set of wireless speakers and a charging cradle;
 FIG. 2 is a lower isometric view of a set of wireless speakers and a charging cradle;
 FIG. 3 is a front side view of a set of wireless speakers and a charging cradle;
 FIG. 4 is a rear side view of a set of wireless speakers and a charging cradle;
 FIG. 5 is a top view of a set of wireless speakers and a charging cradle;
 FIG. 6 is a bottom view of a set of wireless speakers and a charging cradle;
 FIG. 7 is a left side view of a set of wireless speakers and a charging cradle;
 FIG. 8 is a right side view of a set of wireless speakers and a charging cradle;
 FIG. 9 is an elevated perspective view of a set of wireless speakers and a charging cradle with one speaker removed from the charging cradle; and,
 FIG. 10 is an elevated perspective view of a set of wireless speakers and a charging cradle with all speakers removed from the charging cradle.

1 Claim, 8 Drawing Sheets



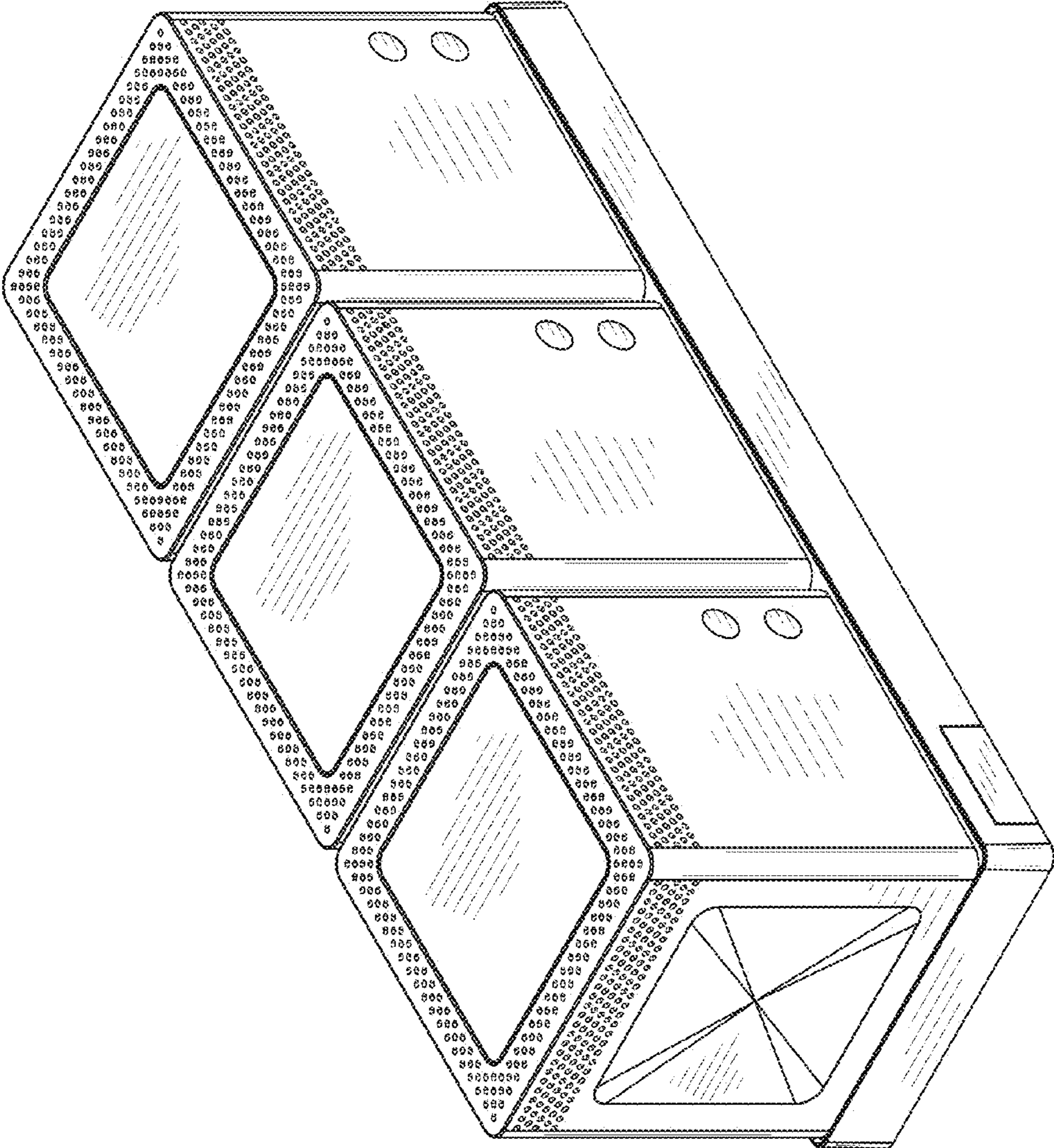


FIG. 1

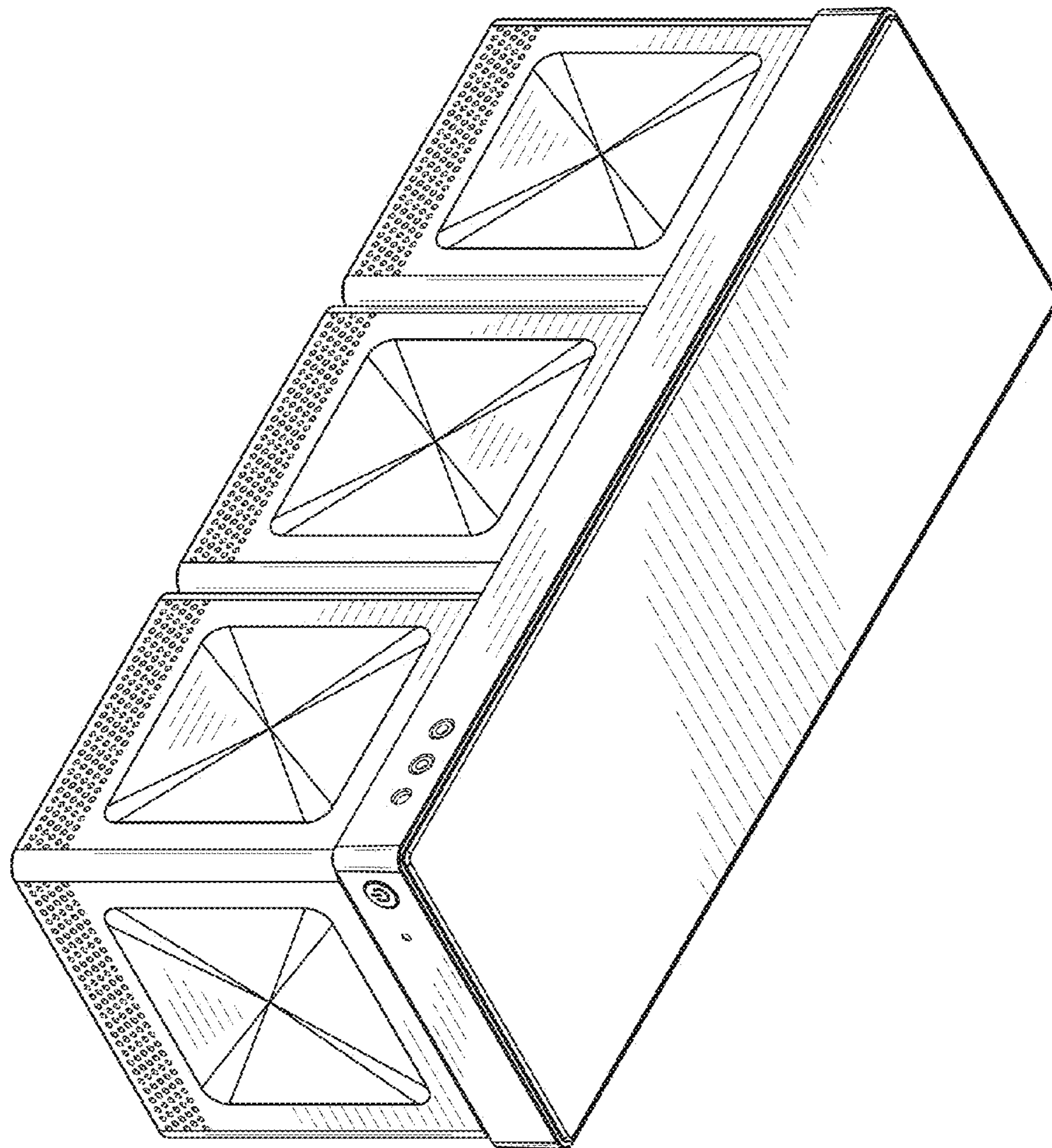


FIG. 2

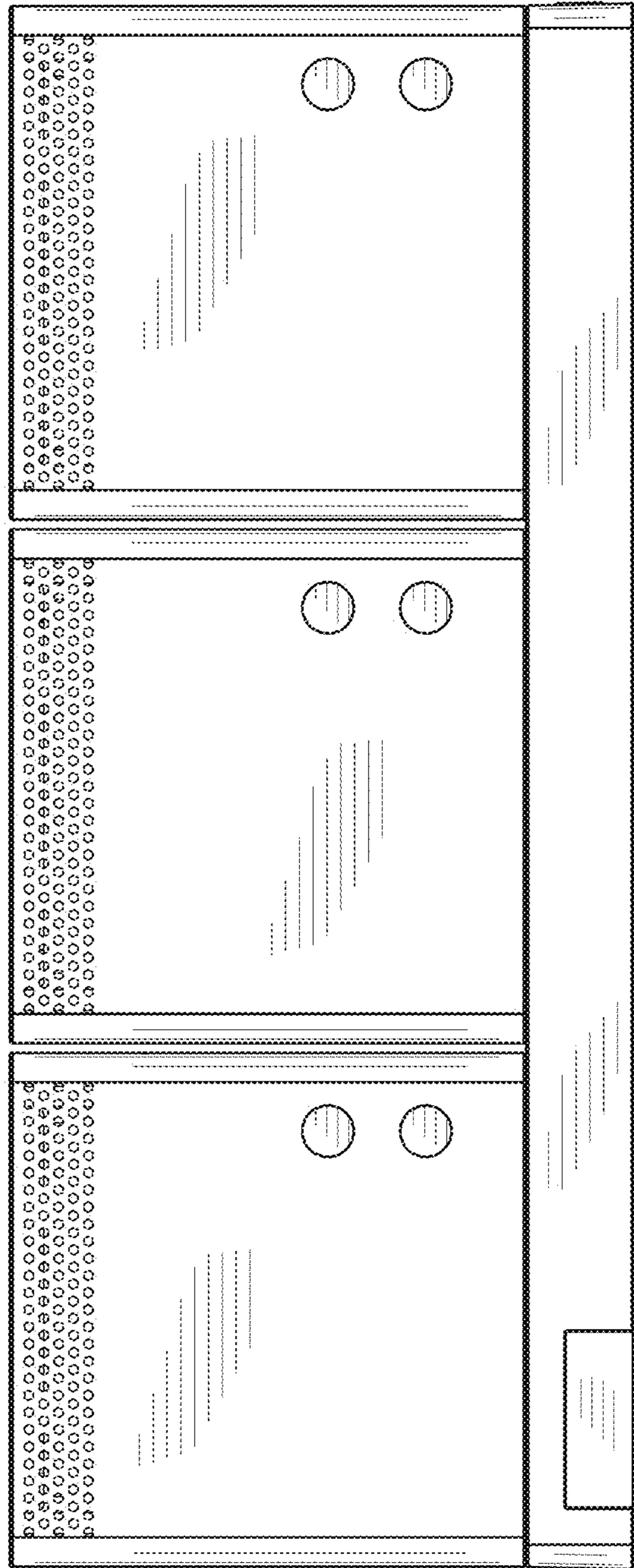


FIG. 3

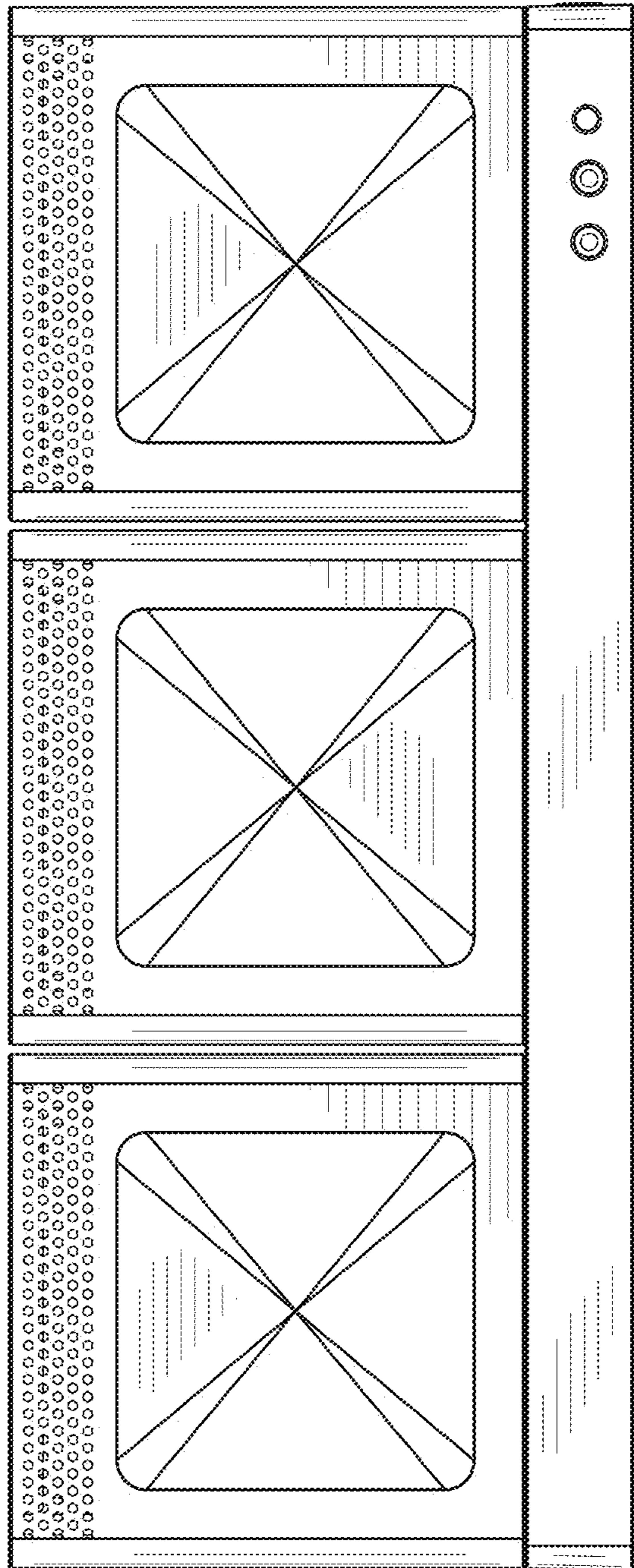


FIG. 4

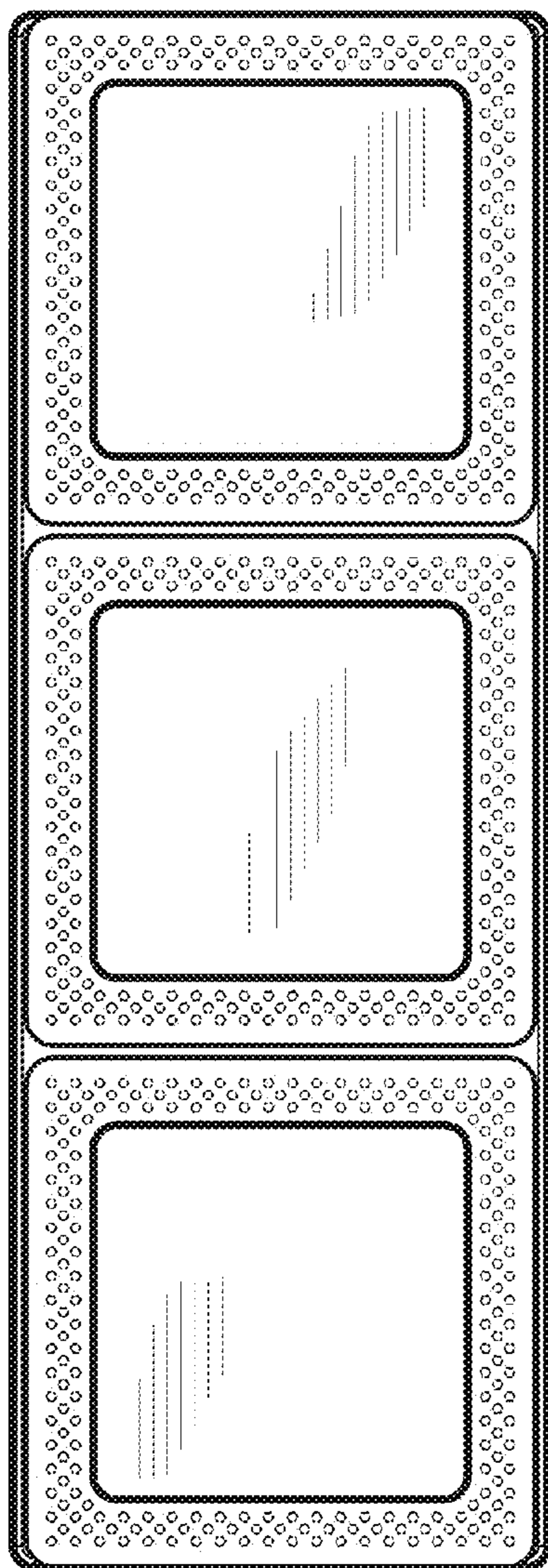


FIG. 5

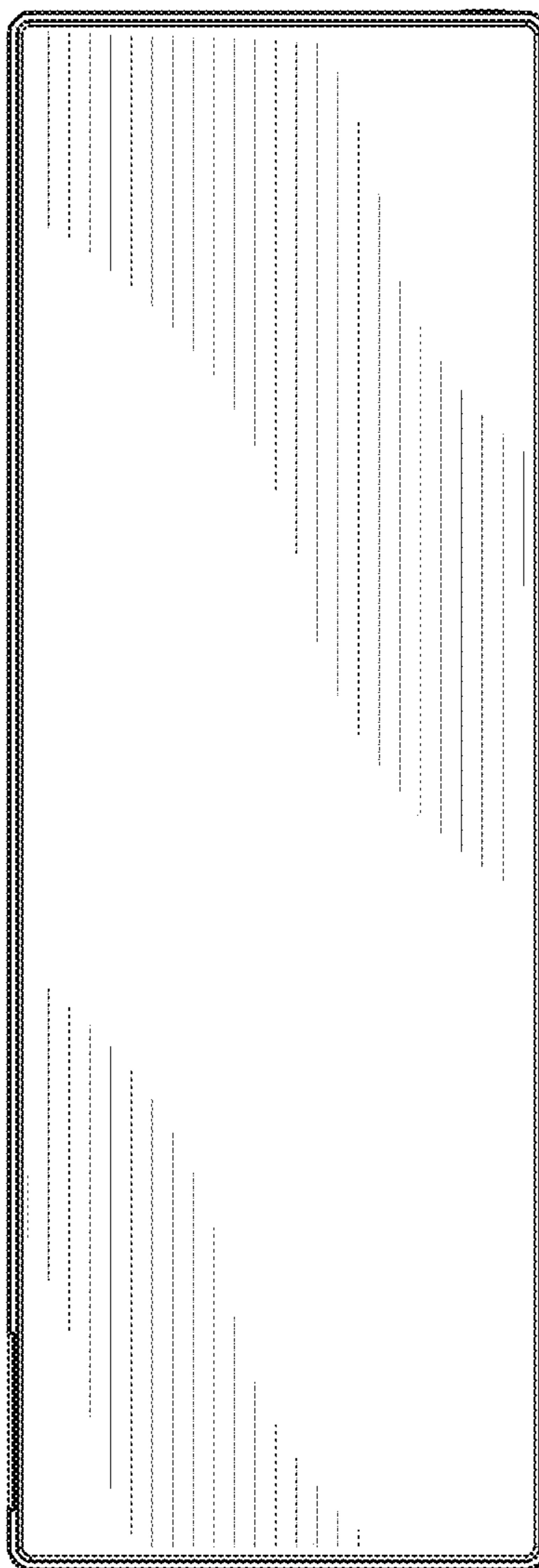


FIG. 6

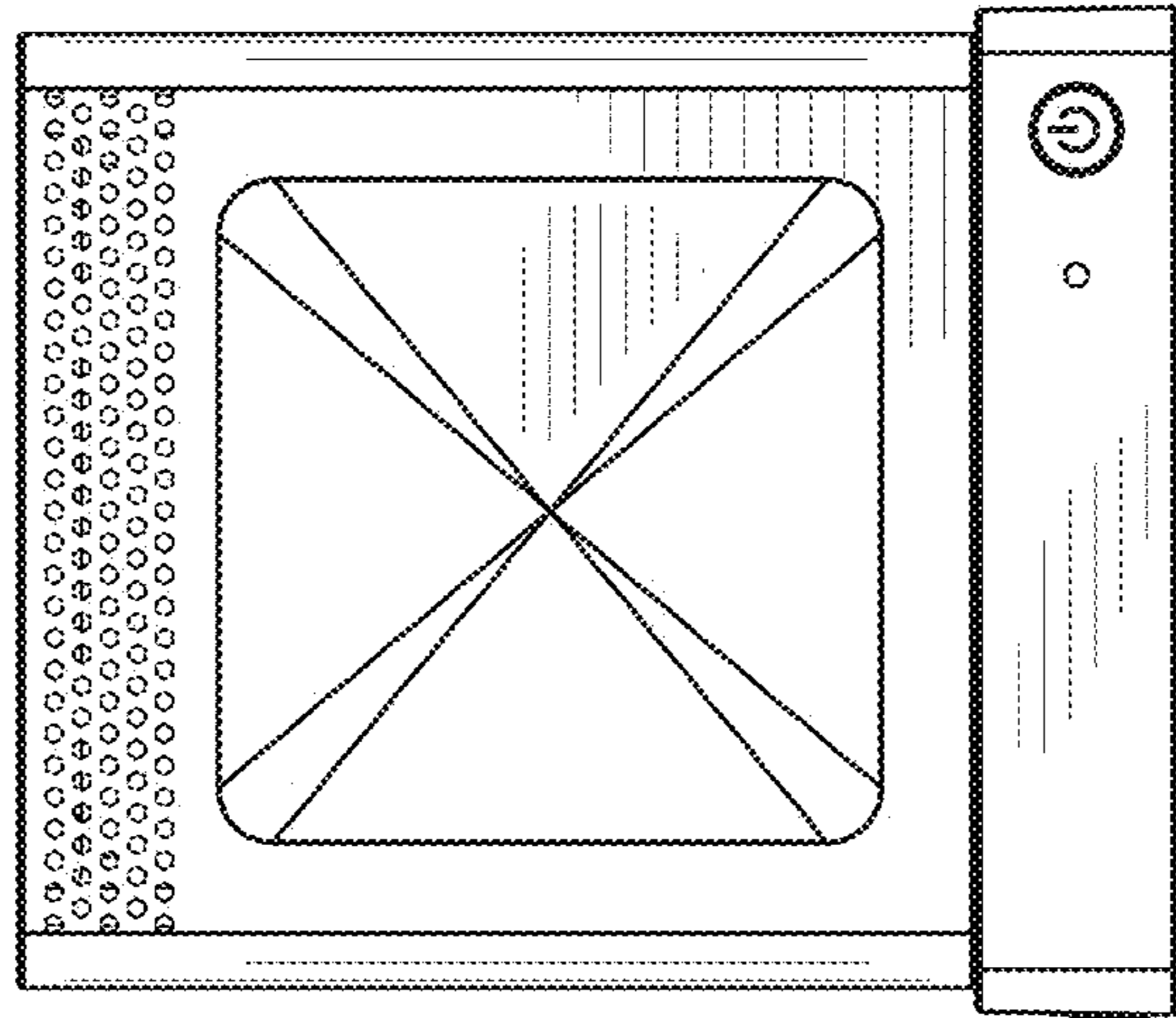


FIG. 7

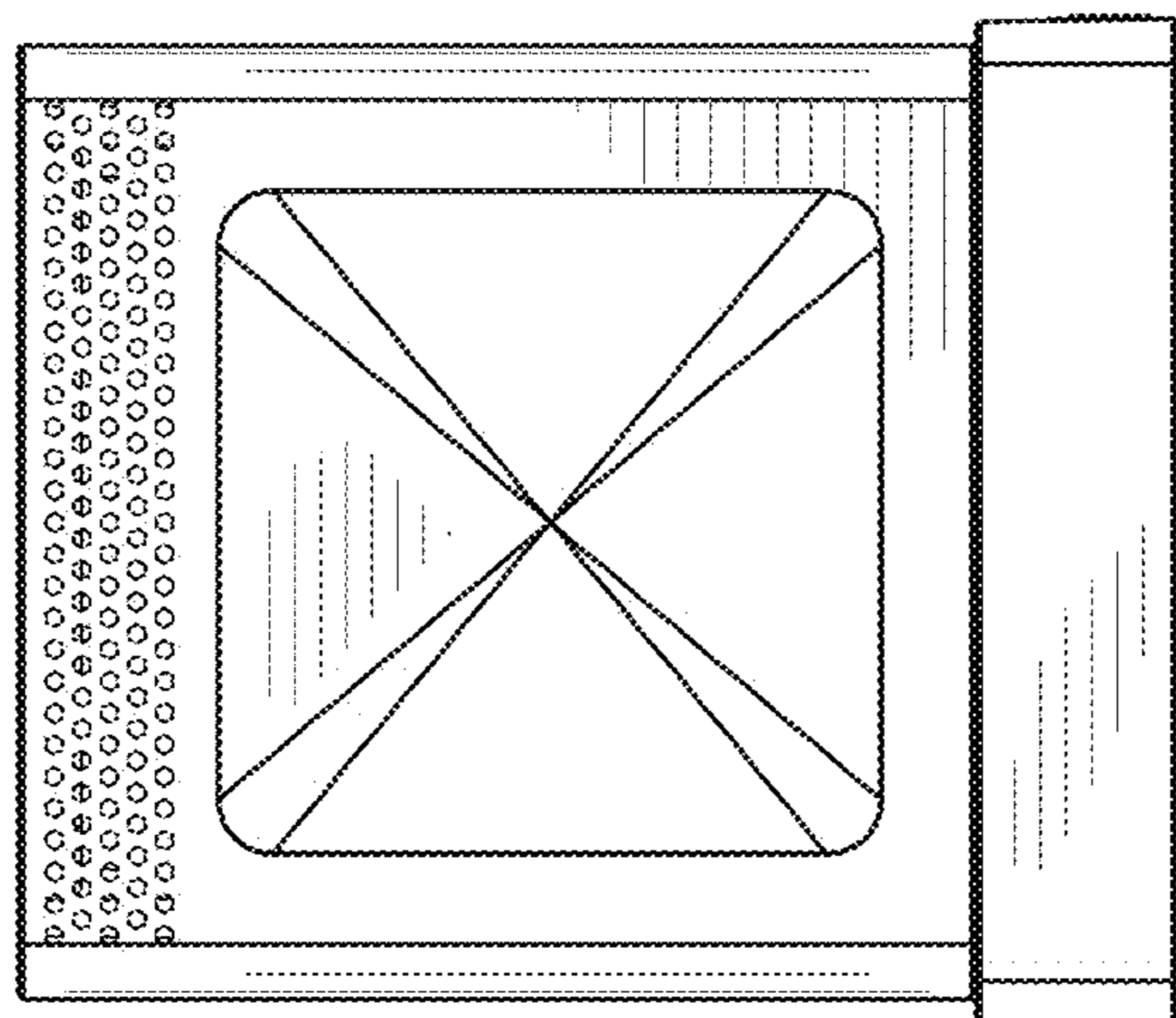


FIG. 8

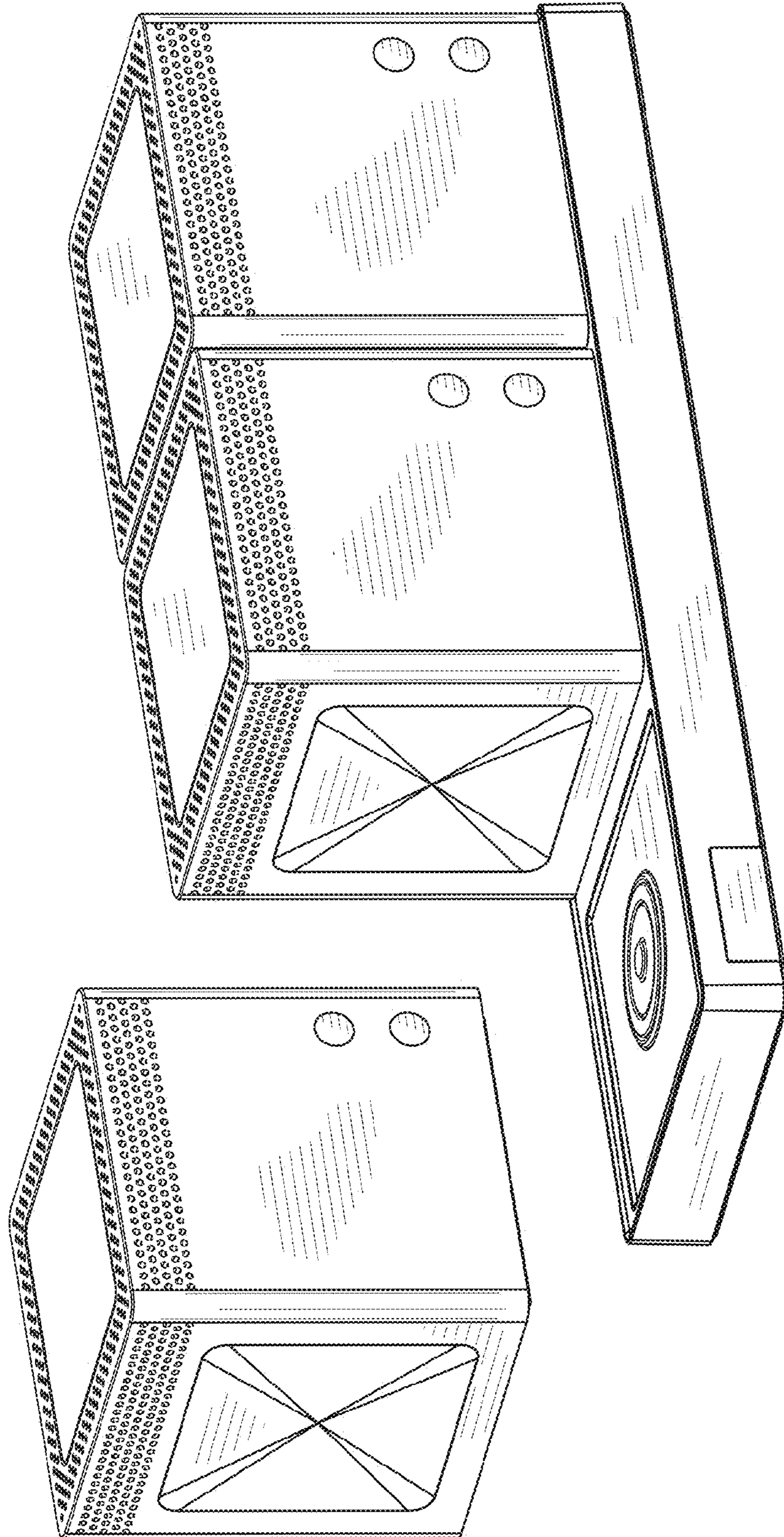


FIG. 9

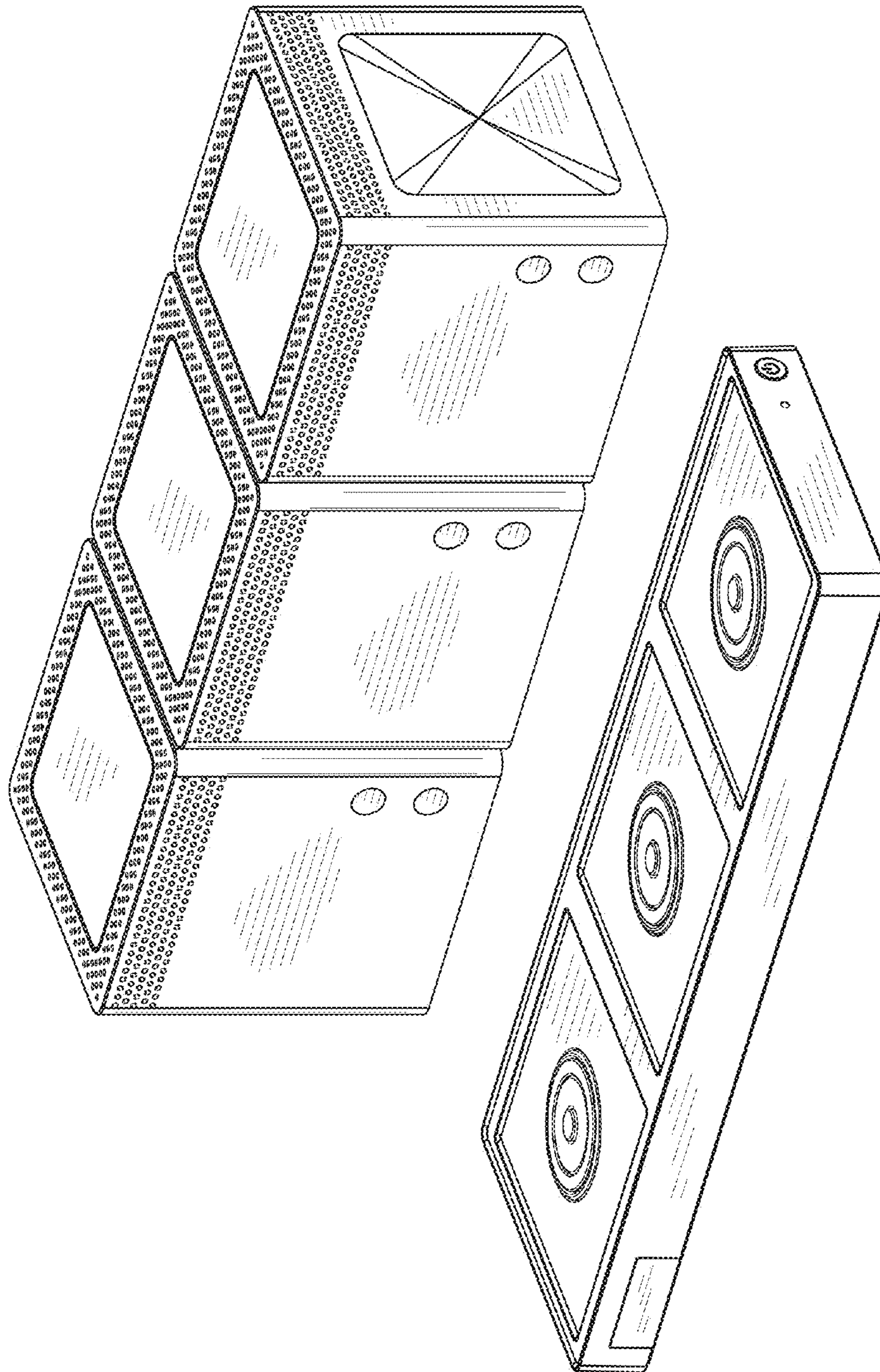


FIG. 10