



US00D722040S

(12) **United States Design Patent**
Tan et al.

(10) **Patent No.:** **US D722,040 S**
(45) **Date of Patent:** **** Feb. 3, 2015**

- (54) **WIRELESS STEREO HEADSET**
- (71) Applicants: **Zhimin Tan**, Guangdong (CN); **Decai Liu**, Guangdong (CN); **Xing Xu**, Guangdong (CN)
- (72) Inventors: **Zhimin Tan**, Guangdong (CN); **Decai Liu**, Guangdong (CN); **Xing Xu**, Guangdong (CN)
- (**) Term: **14 Years**
- (21) Appl. No.: **29/469,526**
- (22) Filed: **Oct. 11, 2013**
- (51) **LOC (10) Cl.** **14-01**
- (52) **U.S. Cl.**
USPC **D14/205**
- (58) **Field of Classification Search**
CPC H04R 1/10
USPC D14/205, 206, 223, 217, 218; 181/129, 181/130, 135; 379/430, 431; 381/380, 381; 455/90.3, 575.1
See application file for complete search history.

(56) **References Cited**

U.S. PATENT DOCUMENTS

D318,670	S	*	7/1991	Taniguchi	D14/205
D326,655	S	*	6/1992	Iribe	D14/192
D334,043	S	*	3/1993	Taniguchi et al.	D14/218
5,222,151	A	*	6/1993	Nagayoshi et al.	381/380
D462,945	S	*	9/2002	Skulley	D14/218
D464,945	S	*	10/2002	Bosch	D14/206
D465,472	S	*	11/2002	Bosch	D14/206
D467,240	S	*	12/2002	Ruohonen	D14/223
6,631,279	B2	*	10/2003	Rivera	455/575.2
D485,548	S	*	1/2004	Obata	D14/223
D554,627	S	*	11/2007	Gondo	D14/223
D569,841	S	*	5/2008	Chung et al.	D14/205
D578,507	S	*	10/2008	Ando	D14/205

D587,681	S	*	3/2009	Yanai	D14/205
D594,441	S	*	6/2009	Lee et al.	D14/205
7,551,748	B2	*	6/2009	Kamo et al.	381/380
D599,778	S	*	9/2009	Ando	D14/205
D599,781	S	*	9/2009	Lee et al.	D14/205
D605,170	S	*	12/2009	Keinanen	D14/205
D605,182	S	*	12/2009	Fagnot	D14/223
D605,628	S	*	12/2009	Ando	D14/205
D614,168	S	*	4/2010	Rogers et al.	D14/206
D626,117	S	*	10/2010	Lowry	D14/223
D636,756	S	*	4/2011	Fahrendorff et al.	D14/205
D641,738	S	*	7/2011	Perez	D14/223
D652,822	S	*	1/2012	Lee et al.	D14/223
8,144,915	B2	*	3/2012	Hankey et al.	381/384
D658,157	S	*	4/2012	McManigal	D14/205
D662,079	S	*	6/2012	Fahrendorff et al.	D14/205
8,295,533	B1	*	10/2012	Schachtman	381/385
D674,376	S	*	1/2013	Kelly et al.	D14/223
D680,102	S	*	4/2013	Chen	D14/223
D702,668	S	*	4/2014	Narita et al.	D14/223
D707,652	S	*	6/2014	Brunner et al.	D14/205

* cited by examiner

Primary Examiner — Paula Greene

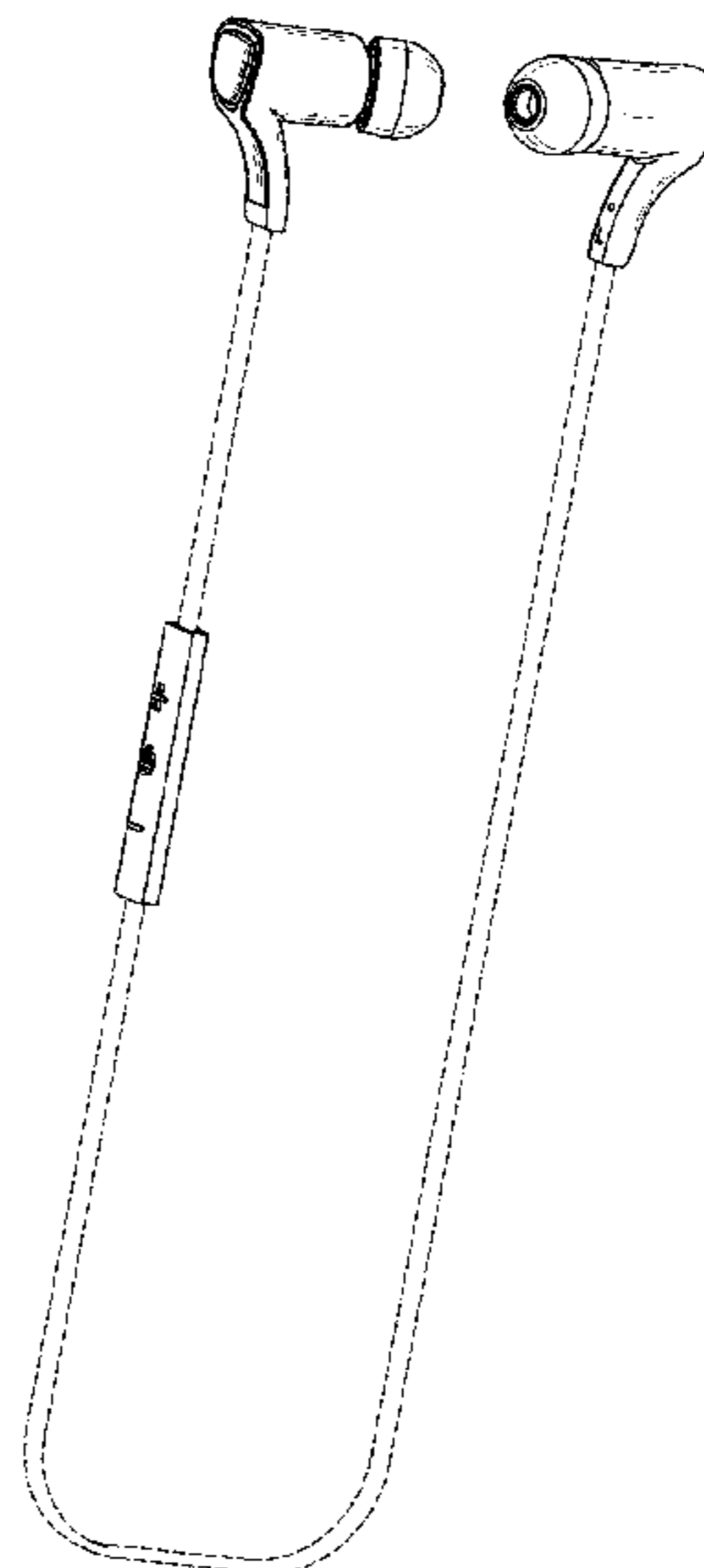
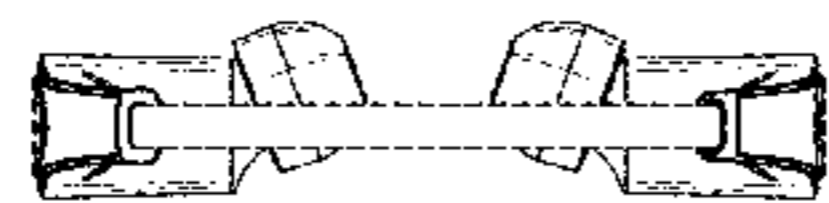
(57) **CLAIM**

The ornamental design for a wireless stereo headset, as shown and described.

DESCRIPTION

FIG. 1 is a front elevational view of a wireless stereo headset showing my new design;
 FIG. 2 is a rear elevational view thereof;
 FIG. 3 is a left side view thereof;
 FIG. 4 is a right side view thereof;
 FIG. 5 is a top plan view thereof;
 FIG. 6 is a first perspective view thereof; and,
 FIG. 7 is a second perspective view thereof.
 The broken lines portions of the drawings depict form no part of the claimed design.

1 Claim, 7 Drawing Sheets



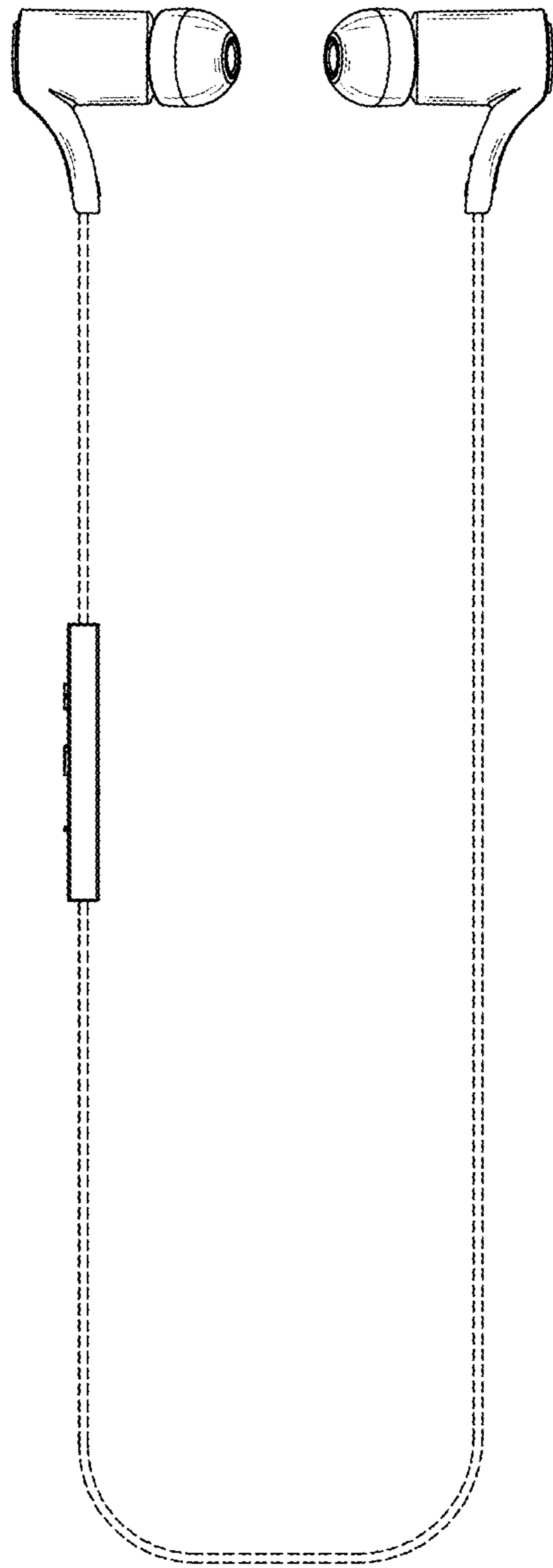


FIG. 1

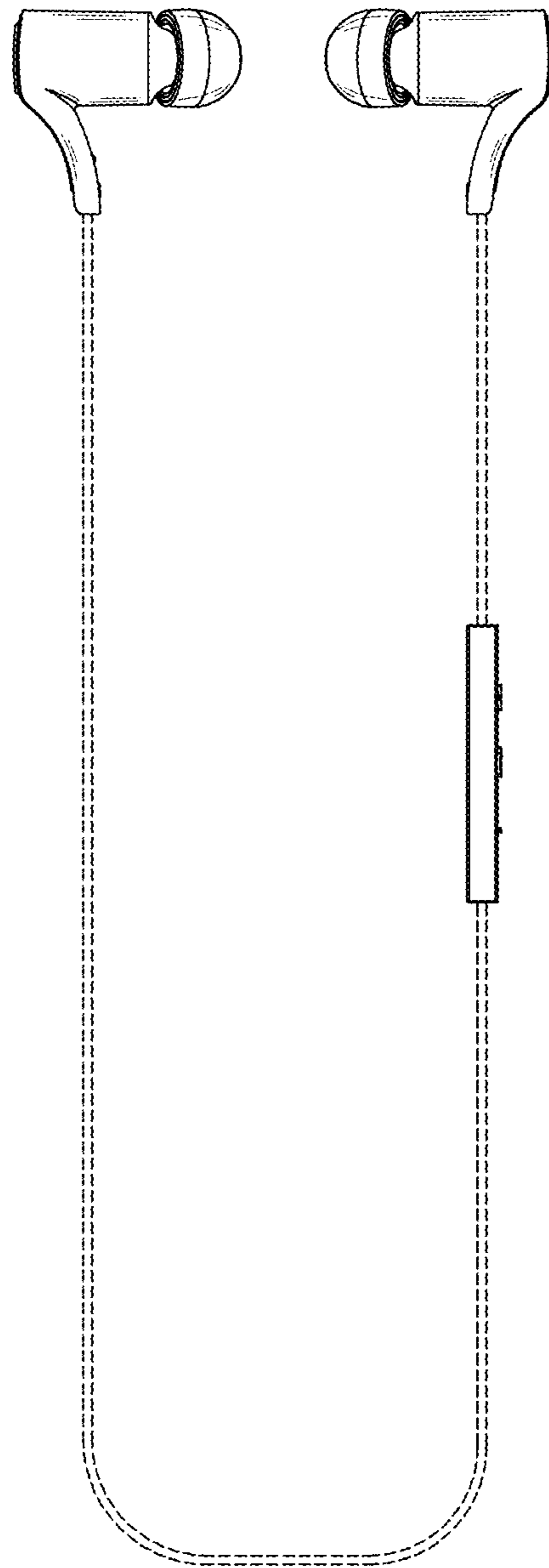


FIG.2

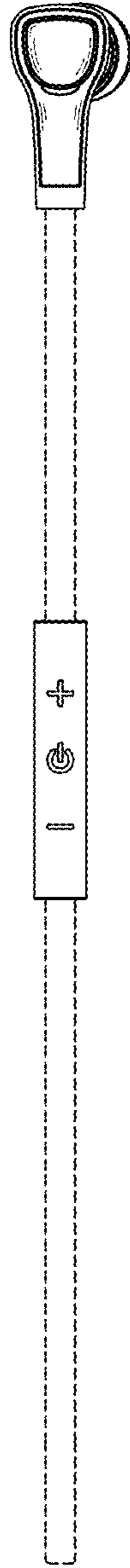


FIG.3

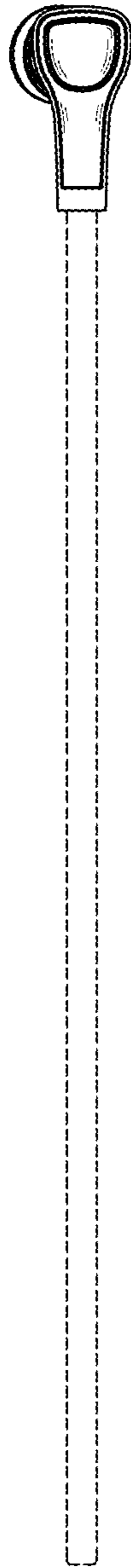


FIG.4

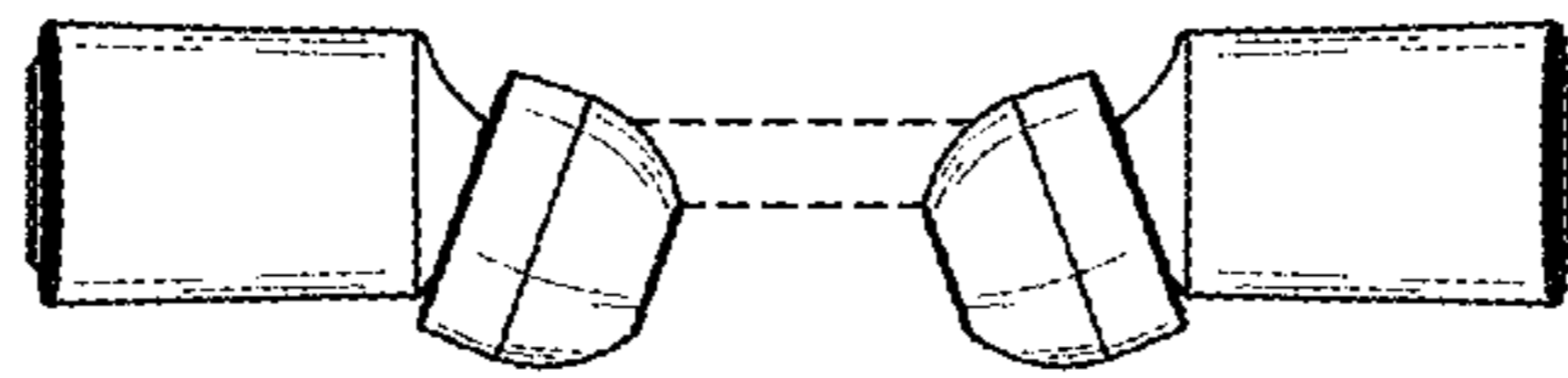


FIG.5

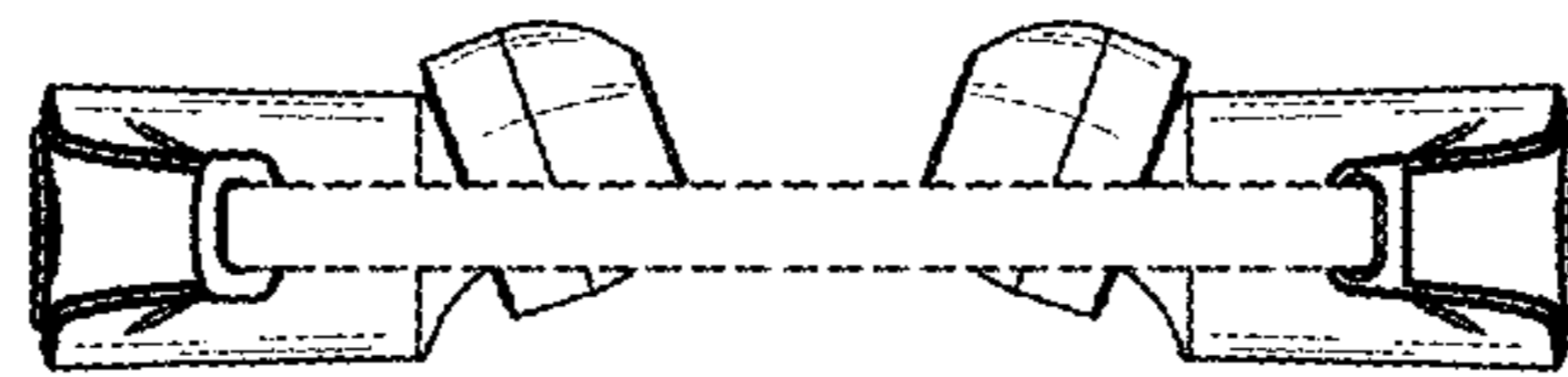


FIG.6

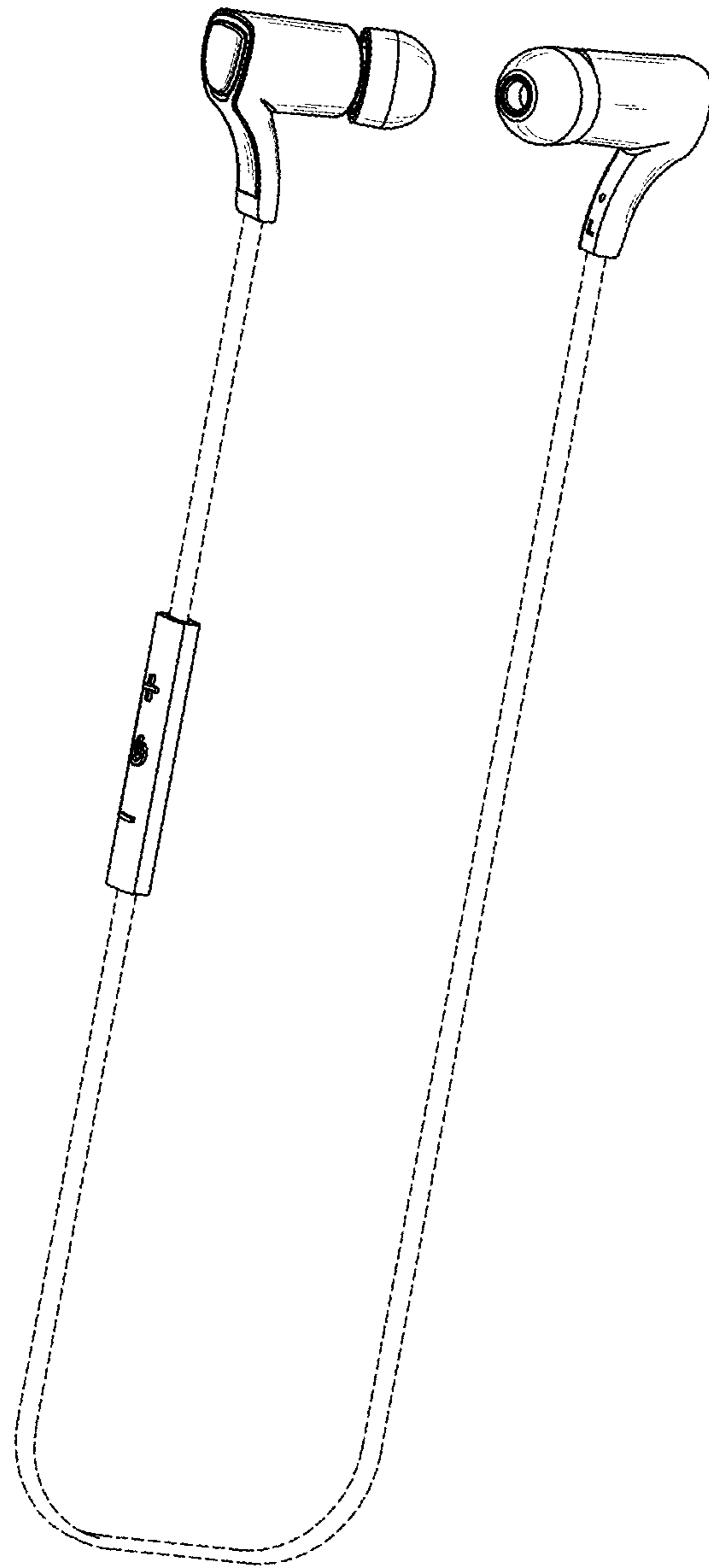


FIG.7