



US00D722039S

(12) **United States Design Patent**
Garneau et al.

(10) **Patent No.:** **US D722,039 S**
(45) **Date of Patent:** **** *Feb. 3, 2015**

(54) **JUKEBOX**

(56)

References Cited

(71) Applicant: **TouchTunes Music Corporation**, New York, NY (US)

U.S. PATENT DOCUMENTS

(72) Inventors: **Charles Garneau**, Bois-des-Filion (CA); **Ed Rivera**, New York, NY (US); **Benoit Tessier**, Boisbriand (CA); **Michael Tooker**, Pointe Claire (CA)

D197,669 S	3/1964	Kenney et al.	
D220,807 S	5/1971	Sunderberg	
3,878,631 A *	4/1975	Mileham	40/453
4,336,935 A	6/1982	Goldfarb	
D312,639 S *	12/1990	Krakauer et al.	D14/173
5,031,340 A	7/1991	Hilgarth	
D327,687 S *	7/1992	Arbiter	D14/173
D355,676 S	2/1995	Wilson	
D356,079 S	3/1995	Oba	
5,667,632 A *	9/1997	Burton et al.	438/570
5,704,146 A	1/1998	Herring et al.	
D390,843 S	2/1998	Rosen	
5,771,778 A	6/1998	MacLean, IV	
D397,335 S	8/1998	Matsushita	
D405,781 S	2/1999	Renk	

(73) Assignee: **TouchTunes Music Corporation**, New York, NY (US)

(*) Notice: This patent is subject to a terminal disclaimer.

(**) Term: **14 Years**

(Continued)

(21) Appl. No.: **29/458,293**

OTHER PUBLICATIONS

(22) Filed: **Jun. 18, 2013**

Design U.S. Appl. No. 29/426,317, filed Jul. 3, 2012; Garneau et al.

Related U.S. Application Data

(62) Division of application No. 29/426,317, filed on Jul. 3, 2012, now Pat. No. Des. 686,591, which is a division of application No. 29/371,255, filed on Dec. 14, 2010, now Pat. No. Des. 665,375.

Primary Examiner — Prabhakar Deshmukh

(74) *Attorney, Agent, or Firm* — Nixon & Vanderhye PC

(51) **LOC (10) Cl.** **14-01**

(57) **CLAIM**

The ornamental design for a “jukebox,” as shown and described.

(52) **U.S. Cl.**

USPC **D14/173**

DESCRIPTION

(58) **Field of Classification Search**

USPC D14/496, 401, 435, 474, 483, 217, 137, D14/138, 160, 168, 356, 203.1–203.8, 507, D14/184, 173; 345/156, 169, 173–179, 905; 715/727–729, 864; 710/1, 5, 8; 713/1, 713/600; 455/1.1, 1.7, 73, 344–347, 93, 95, 455/3.01–3.06, 550.1, 573.1; 370/342–344; 369/1, 2, 6–12; 463/43–47; 273/148 B

FIG. 1 is a front perspective view of a jukebox showing our new design;

FIG. 2 is a front elevation view thereof;

FIG. 3 is a rear elevation view thereof;

FIG. 4 is a right side view thereof;

FIG. 5 is a left side view thereof;

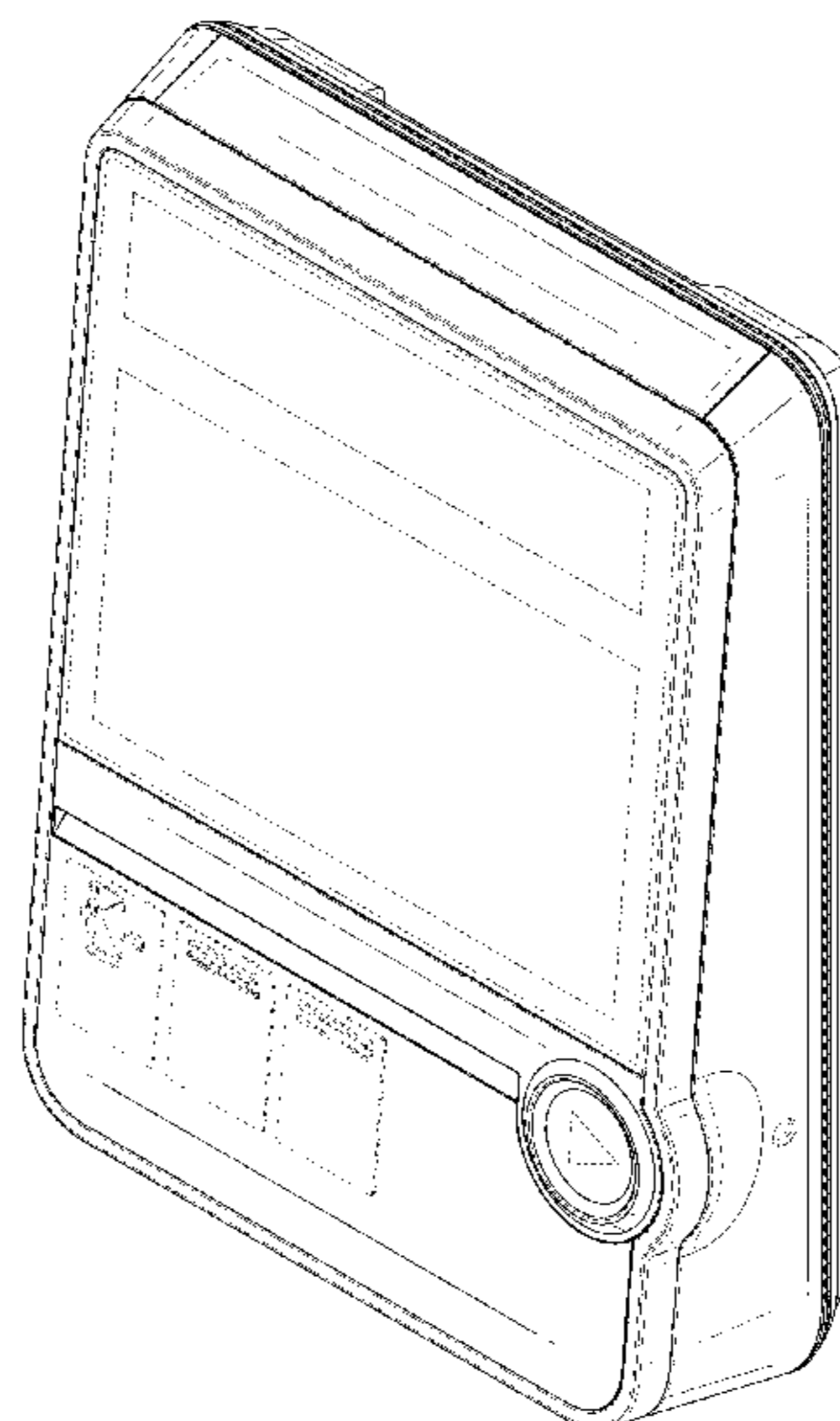
FIG. 6 is a top plan view thereof; and,

FIG. 7 is a bottom plan view thereof.

The broken lines represent environmental features of the claimed design. None of the broken lines form part of the claimed design.

See application file for complete search history.

1 Claim, 6 Drawing Sheets



(56)

References Cited

U.S. PATENT DOCUMENTS

D405,791 S 2/1999 Menke et al.
6,041,023 A 3/2000 Lakhansingh
D426,527 S 6/2000 Sakaguchi
6,079,985 A 6/2000 Wohl et al.
D442,152 S 5/2001 Roustaei
6,430,117 B2 8/2002 Zimmer
D475,029 S 5/2003 Nathan et al.
6,708,812 B2 3/2004 Greim

6,714,489 B2 3/2004 Kalis et al.
D494,188 S 8/2004 Huang
6,779,904 B1 8/2004 Van Dyk
6,846,238 B2 1/2005 Wells
D510,584 S 10/2005 Tierney
D560,651 S * 1/2008 Berkheimer et al. D14/173
D616,414 S 5/2010 Nathan et al.
D629,382 S 12/2010 Nathan et al.
D662,487 S * 6/2012 Nathan et al. D14/173
D665,375 S 8/2012 Garneau et al.

* cited by examiner

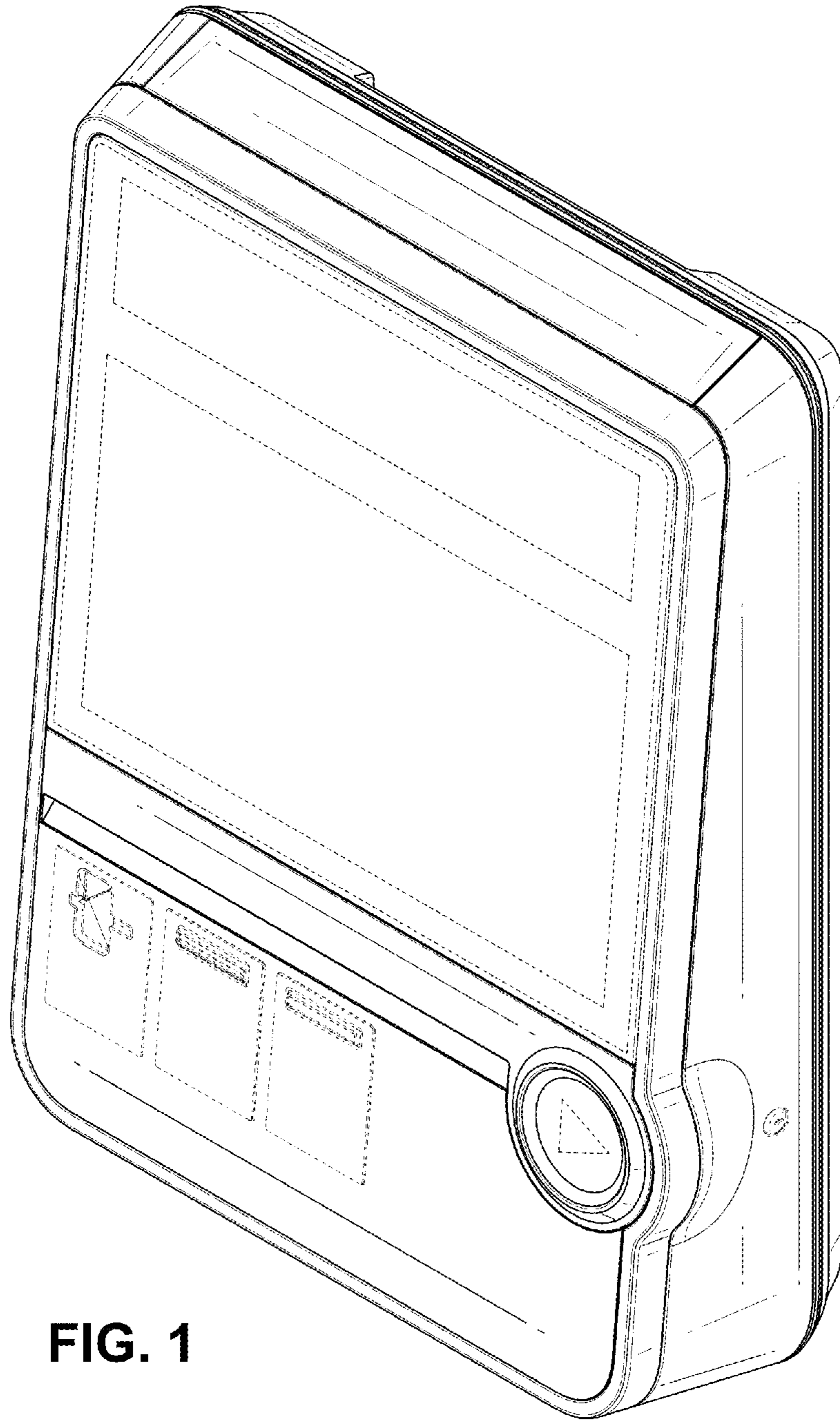


FIG. 1

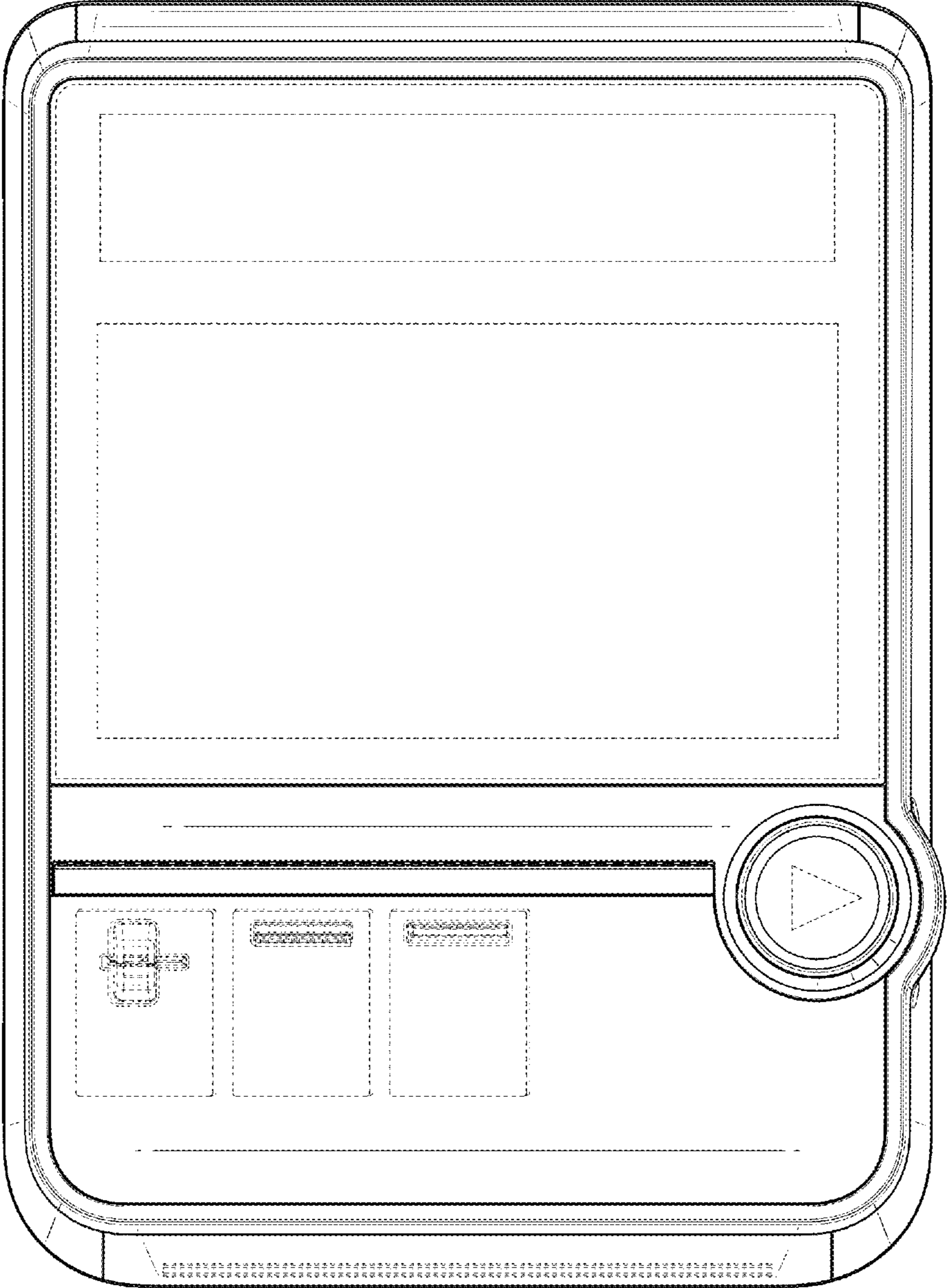


FIG. 2

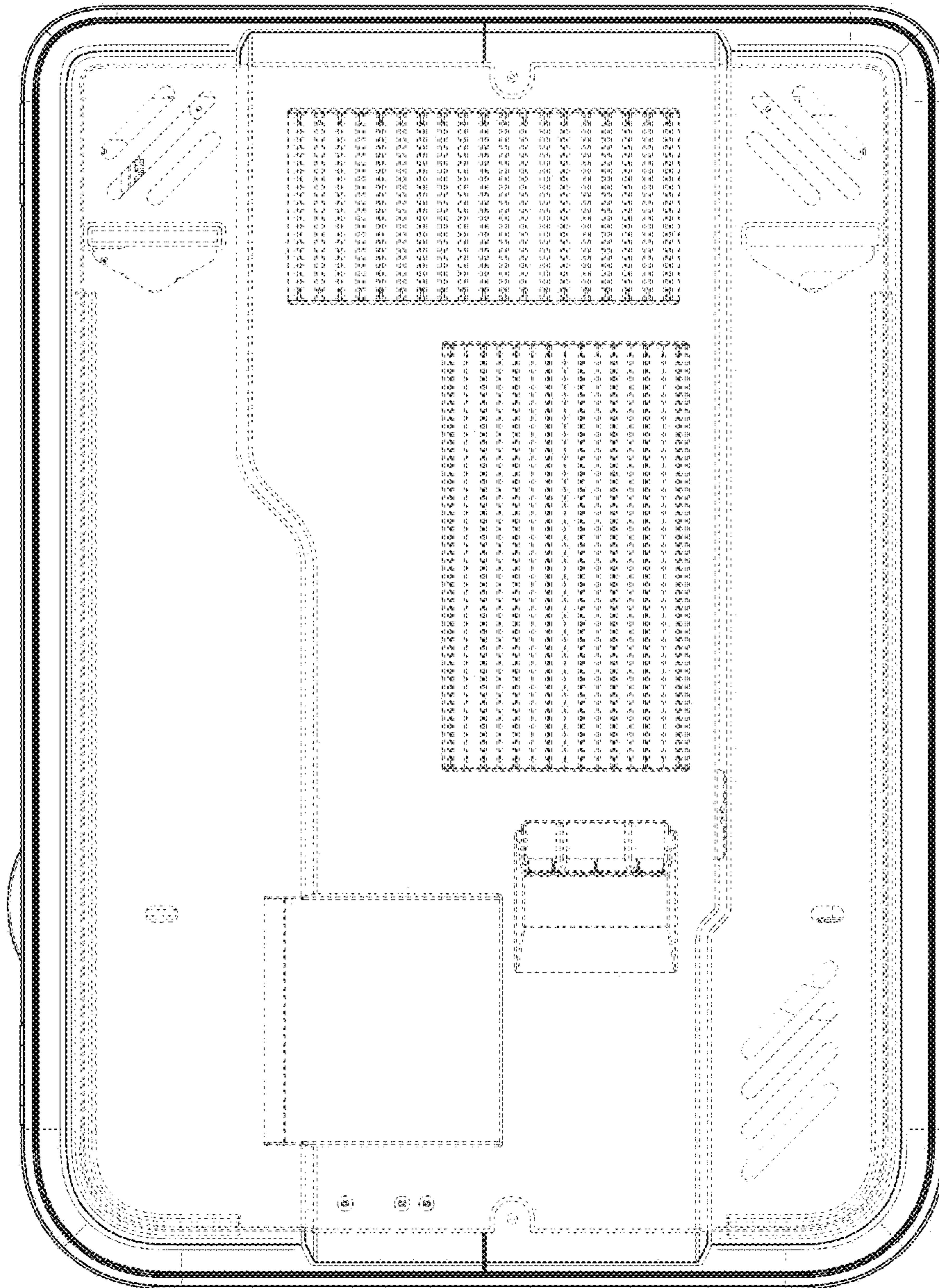


FIG. 3

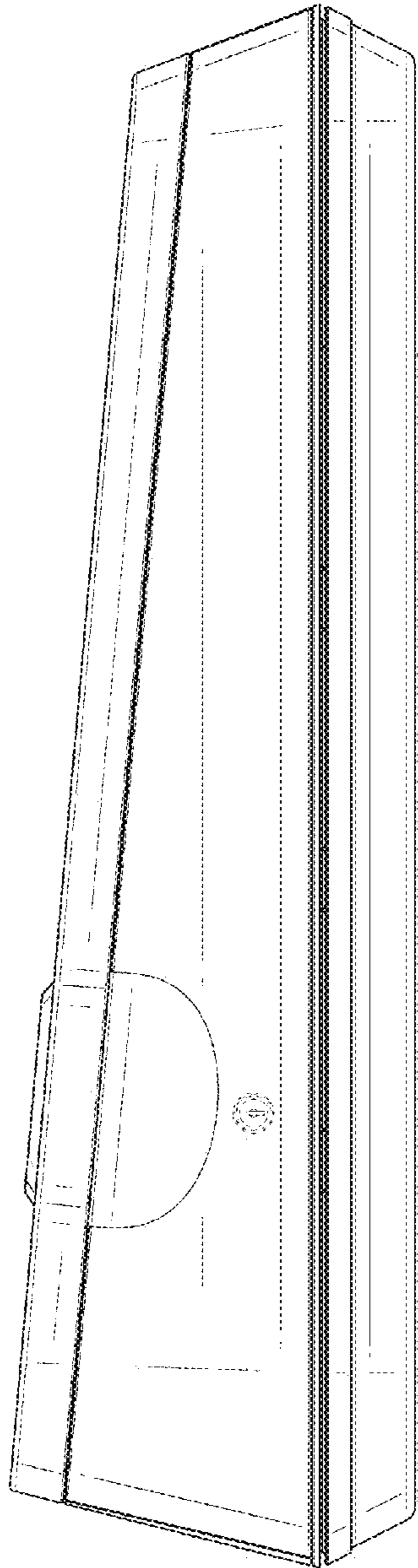


FIG. 4

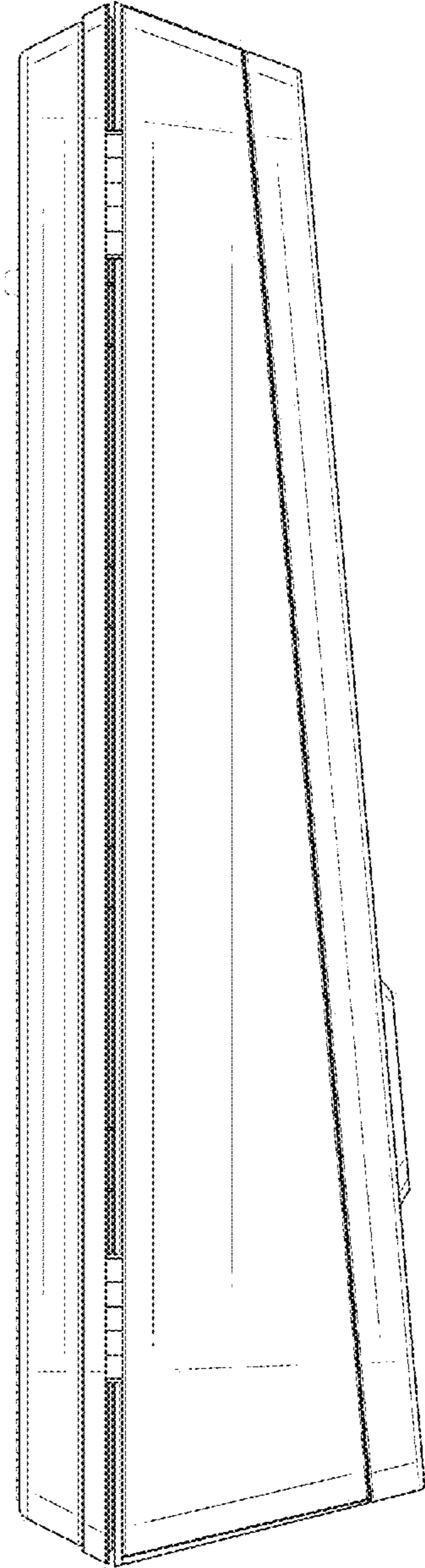


FIG. 5

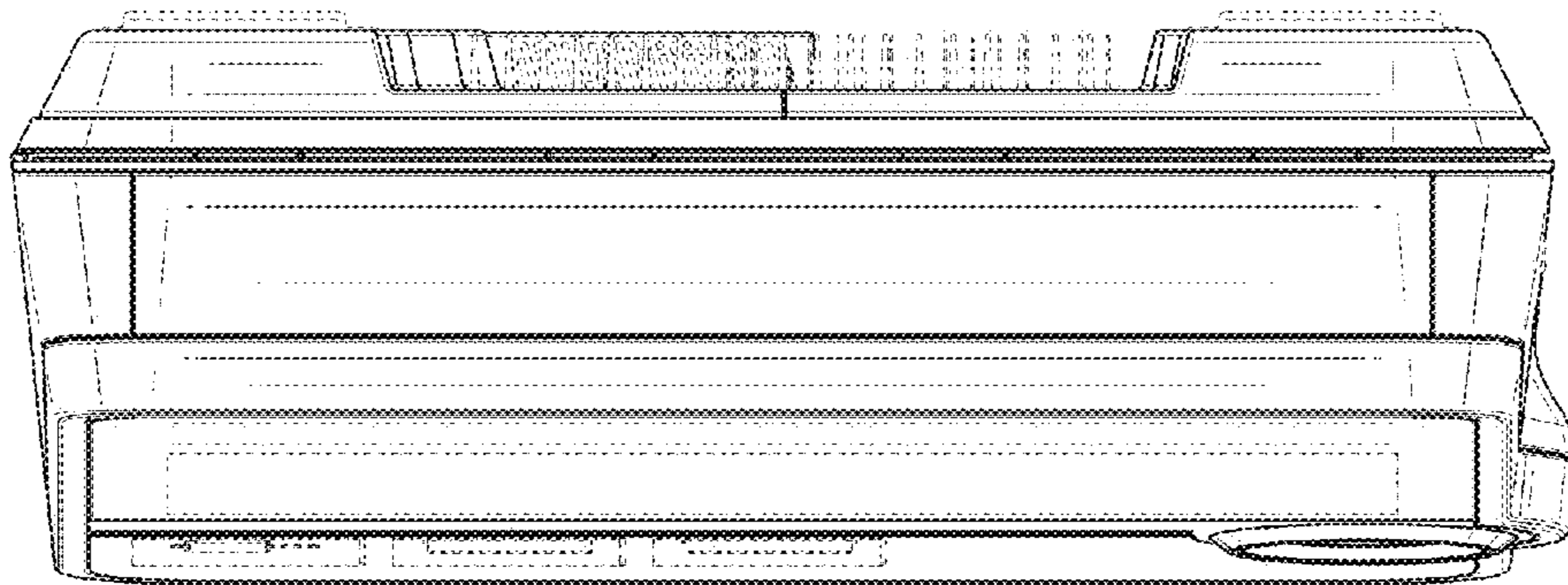


FIG. 6

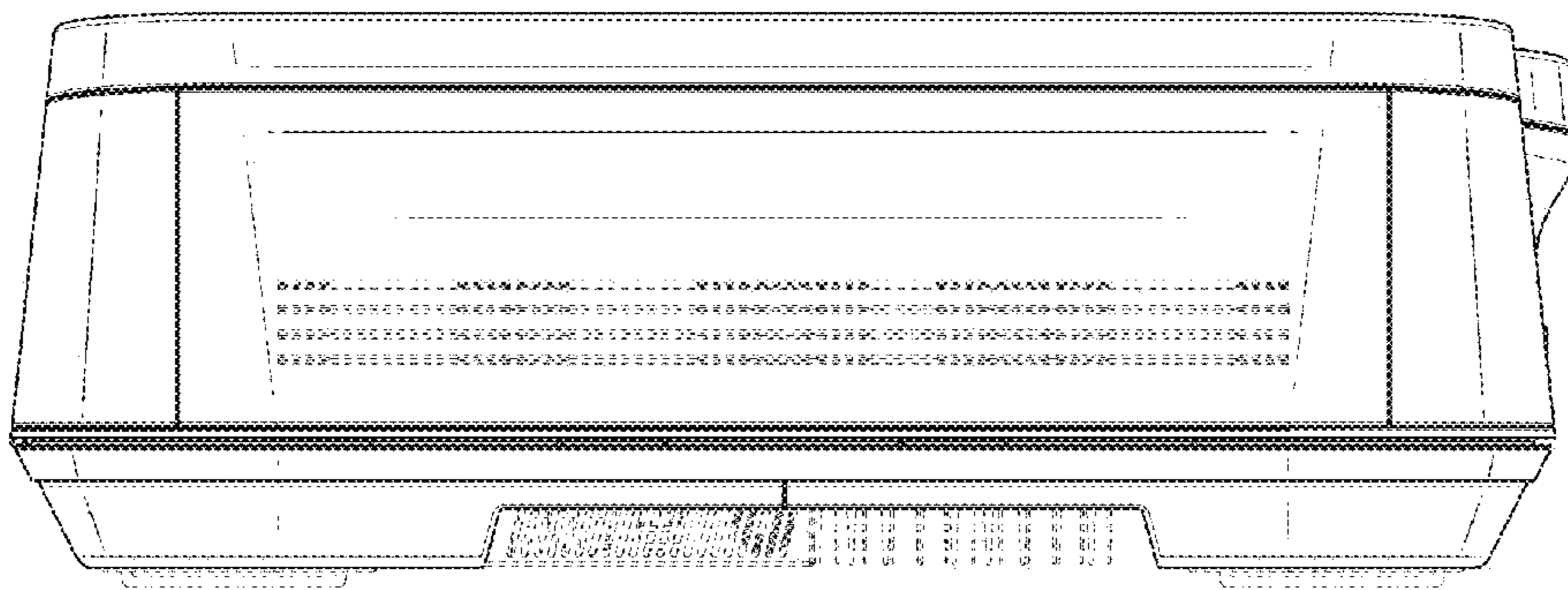


FIG. 7