



US00D722034S

(12) **United States Design Patent**
Lee et al.

(10) **Patent No.:** **US D722,034 S**
(45) **Date of Patent:** **** Feb. 3, 2015**

(54) **ELECTRONIC DEVICE**
(71) Applicant: **Samsung Electronics Co., Ltd.**,
Suwon-si (KR)
(72) Inventors: **Min-Hyook Lee**, Seongnam (KR);
Hyoung-Shin Park, Seoul (KR);
Kwan-Ue Hong, Yongin (KR); **Jong-Bo Jung**,
Seoul (KR); **Gi-Young Lee**, Seoul (KR)
(73) Assignee: **Samsung Electronics Co., Ltd.** (KR)
(**) Term: **14 Years**
(21) Appl. No.: **29/453,939**
(22) Filed: **May 3, 2013**

D677,643 S * 3/2013 Park D14/138 G
D677,644 S * 3/2013 Park D14/138 G
D684,554 S * 6/2013 Park et al. D14/138 G
D686,586 S * 7/2013 Cho et al. D14/138 G
D687,002 S * 7/2013 Song et al. D14/138 G
D687,792 S * 8/2013 Kim et al. D14/138 G
8,508,927 B2 * 8/2013 Chen 361/679.3
D694,214 S * 11/2013 Kim et al. D14/138 G
D696,220 S * 12/2013 Seo et al. D14/138 G
D697,889 S * 1/2014 Ahn et al. D14/138 G
D697,890 S * 1/2014 Choe et al. D14/138 G
D699,206 S * 2/2014 Kim D14/138 G
D700,165 S * 2/2014 Chung D14/138 G
D701,191 S * 3/2014 Suk D14/138 G
D702,208 S * 4/2014 Shin et al. D14/138 G
D703,668 S * 4/2014 Kim et al. D14/346
D708,159 S * 7/2014 Kim D14/138 G
D709,850 S * 7/2014 Kim et al. D14/138 G
2013/0331150 A1 * 12/2013 Butsusaka et al. 455/566

OTHER PUBLICATIONS

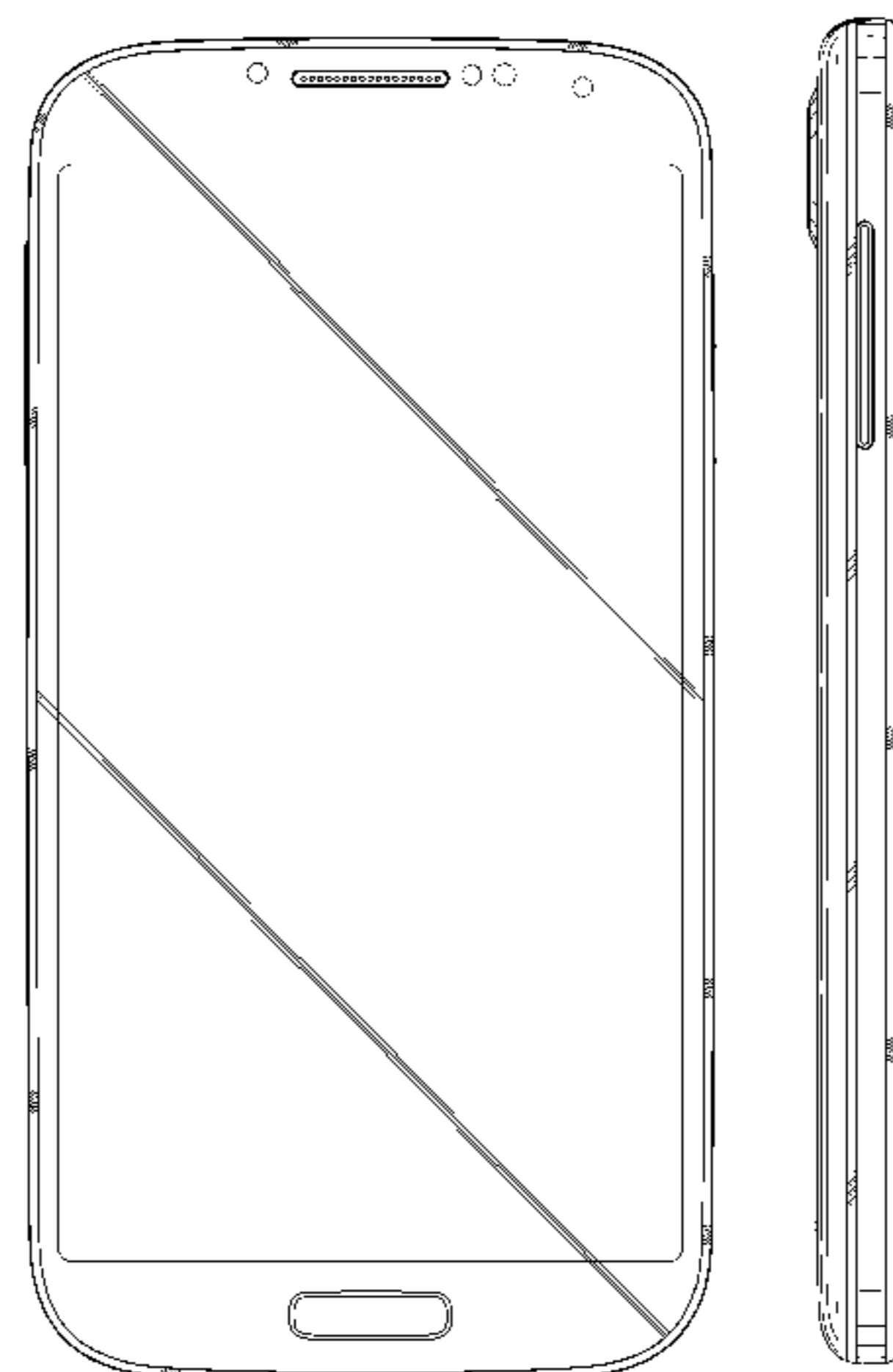
Samsung I9502 Galaxy S4 telephone, announced Mar. 2013, [online], [site visited Aug. 21, 2014]. Available from Internet, <URL: http://www.gsmarena.com/samsung_i9502_galaxy_s4-5420.php>.*
Samsung Galaxy Mega 5.8 I9150 telephone, announced Apr. 2013, [online], [site visited Aug. 21, 2014]. Available from Internet, <URL: http://www.gsmarena.com/samsung_galaxy_mega_5_8_i9150-5396.php>.*
Samsung Galaxy Mega 6.3 I9200 telephone, announced Apr. 2013, [online], [site visited Aug. 21, 2014]. Available from Internet, <URL: http://www.gsmarena.com/samsung_galaxy_mega_6_3_i9200-5398.php>.*
Samsung Galaxy Note 3 telephone, announced Sep. 2013, [online], [site visited Aug. 21, 2014]. Available from Internet, <URL: http://www.gsmarena.com/samsung_galaxy_note_3-5665.php>.*
Samsung I9190 Galaxy S4 mini telephone, announced May 2013, [online], [site visited Aug. 21, 2014]. Available from Internet, <URL: http://www.gsmarena.com/samsung_i9190_galaxy_s4_mini-5375.php>.*
HTC Desire 310 telephone, announced Jan. 2014, [online], [site visited Aug. 21, 2014]. Available from Internet, <URL: http://www.gsmarena.com/htc_desire_310-6009.php>.*

* cited by examiner

Primary Examiner — Jeffrey D Asch
(74) *Attorney, Agent, or Firm* — Cantor Colburn LLP

(30) **Foreign Application Priority Data**
Jan. 4, 2013 (KR) 30-2013-0000521
Feb. 6, 2013 (KR) 30-2013-0006489
(51) **LOC (10) Cl.** **14-03**
(52) **U.S. Cl.**
USPC **D14/138 G**
(58) **Field of Classification Search**
USPC D14/138 G, 138 AD, 138 AA, 138 AB,
D14/341, 346, 138 R, 496, 203.1–203.7,
D14/248, 218, 439, 217, 191; 455/575.1,
455/556.2, 575.3, 575.4; D21/517, 329;
379/433.01, 433.04; D10/65, 78;
361/679.3, 679.56; D27/186, 189
See application file for complete search history.

(56) **References Cited**
U.S. PATENT DOCUMENTS
D337,569 S * 7/1993 Kando D14/341
D638,815 S * 5/2011 Lee et al. D14/138 G
D650,352 S * 12/2011 Cho D14/138 G
D654,047 S * 2/2012 Kim et al. D14/138 G
D661,277 S * 6/2012 Kim D14/138 G
D668,628 S * 10/2012 Ha et al. D14/138 G
D676,824 S * 2/2013 Lee D14/138 G



(57)

CLAIM

We claim, the ornamental design for an electronic device, as shown and described.

DESCRIPTION

FIG. 1 is a top front perspective view of a first embodiment of an electronic device showing our new design;
FIG. 2 is a front view thereof;
FIG. 3 is a rear view thereof;
FIG. 4 is a left side view thereof;
FIG. 5 is a right side view thereof;
FIG. 6 is a top view thereof;
FIG. 7 is a bottom view thereof;
FIG. 8 is a top rear perspective view thereof;
FIG. 9 is a top front perspective view of a second embodiment thereof;
FIG. 10 is a front view thereof;
FIG. 11 is a rear view thereof;
FIG. 12 is a left side view thereof;
FIG. 13 is a right side view thereof;
FIG. 14 is a top view thereof;
FIG. 15 is a bottom view thereof;
FIG. 16 is a top rear perspective view thereof;
FIG. 17 is an enlarged detail view of the portion A encircled in FIG. 13;
FIG. 18 is a partial cross section view of FIG. 17;

FIG. 19 is an enlarged detail view of the portion B encircled in FIG. 14;

FIG. 20 is a partial cross section view of FIG. 19;

FIG. 21 is a top front perspective view of a third embodiment thereof;

FIG. 22 is a front view thereof;

FIG. 23 is a rear view thereof;

FIG. 24 is a left side view thereof;

FIG. 25 is a right side view thereof;

FIG. 26 is a top view thereof;

FIG. 27 is a bottom view thereof; and,

FIG. 28 is a top rear perspective view thereof.

The broken lines shown in the figures that are within the claimed surface, are immediately adjacent to the shaded areas, and define regions that are unshaded and uninterrupted by solid-line features, represent the bounds of the claim, while all other broken lines are directed to environment. The broken lines form no part of the claimed design.

In the third embodiment, the light stippling represents a metallic-looking, shiny and glossy surface, and the dark stippling represents a metallic-looking and matt surface.

Examples of an electronic device are: a computer; a portable or hand-held electronic device; media player such as a music, a video and/or a game player; media storage device; a personal digital assistant; and a communication device such as a cellular phone and smart phone.

1 Claim, 20 Drawing Sheets

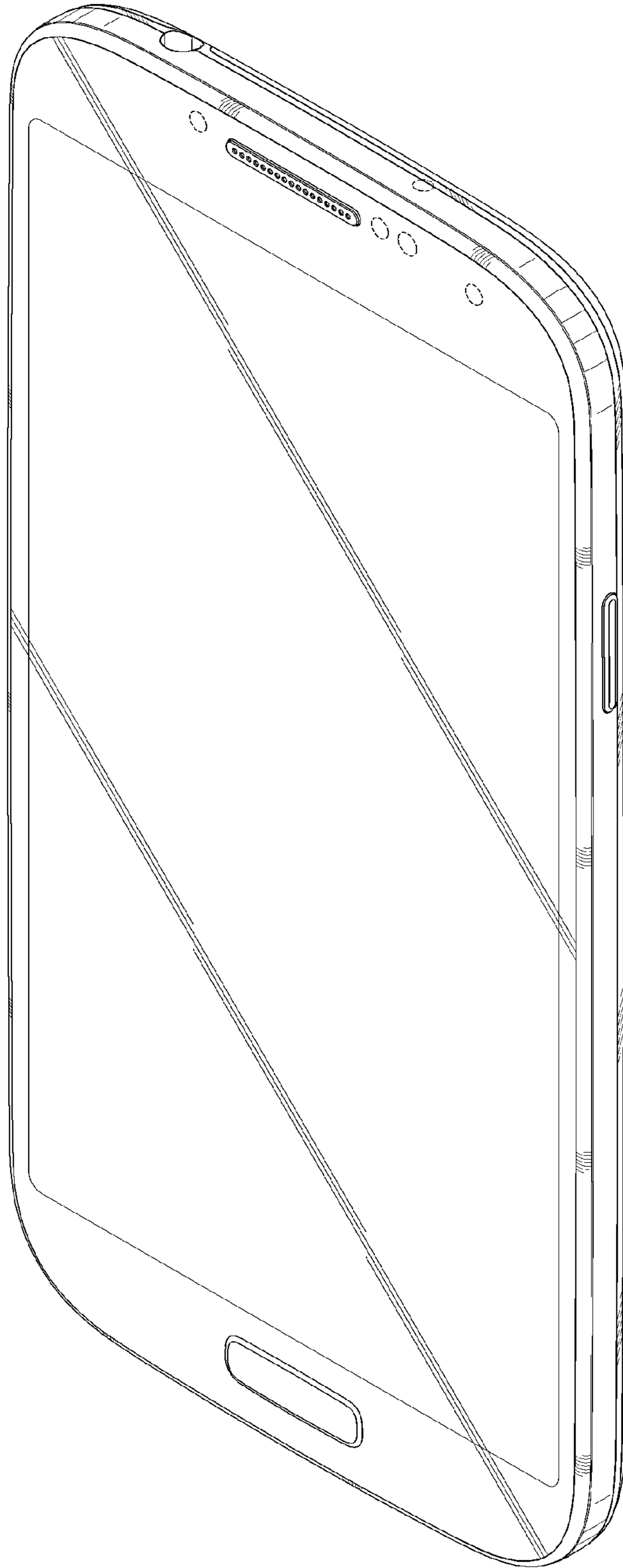


FIG.1

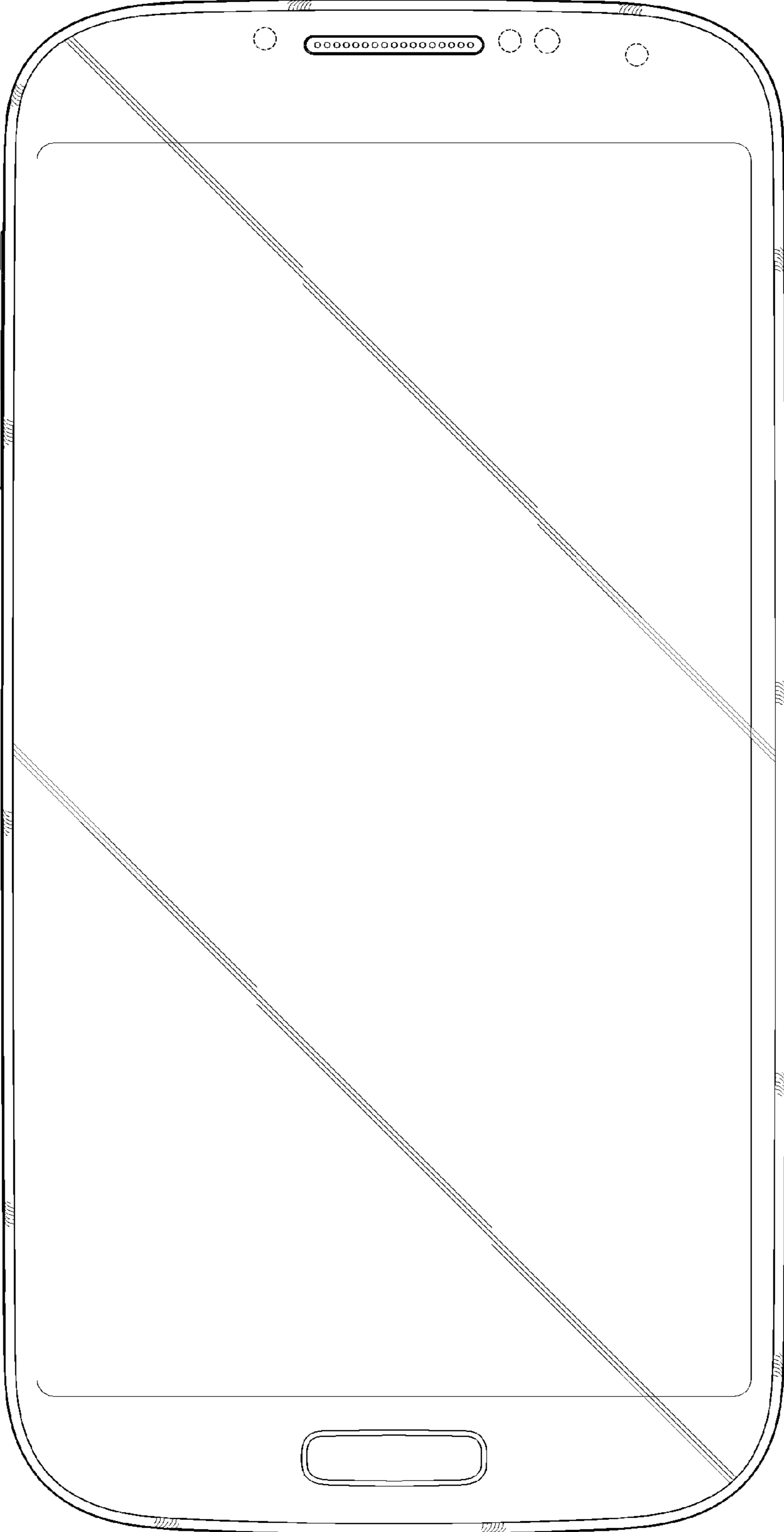


FIG.2

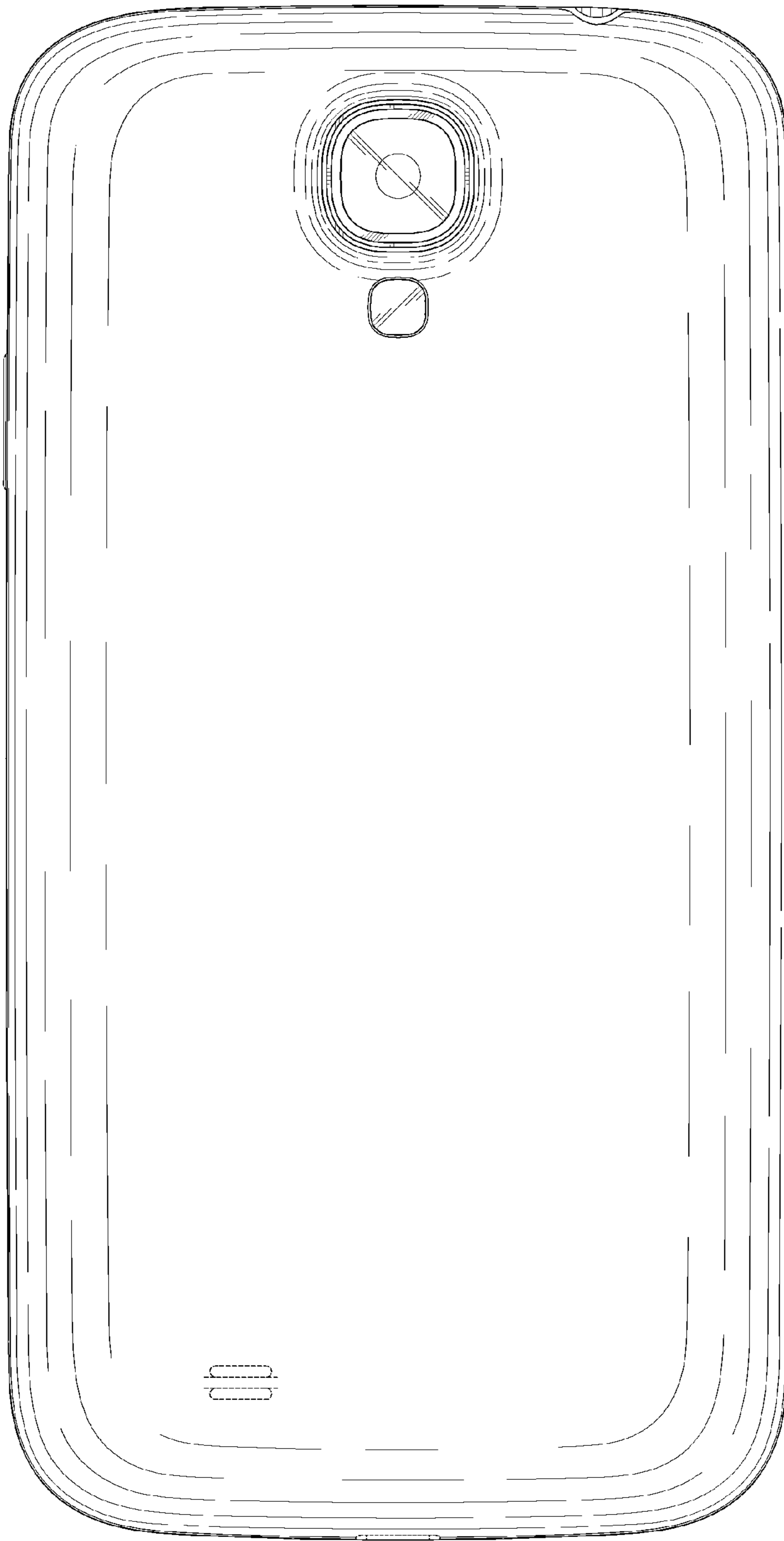


FIG.3

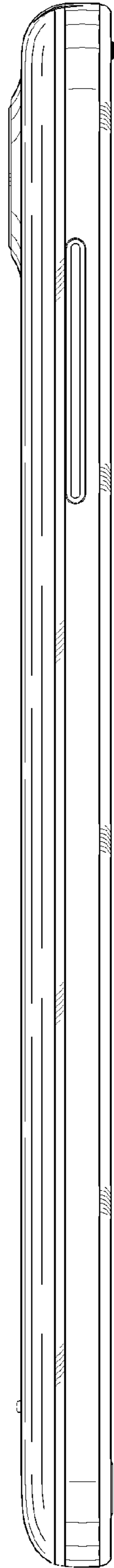


FIG.4

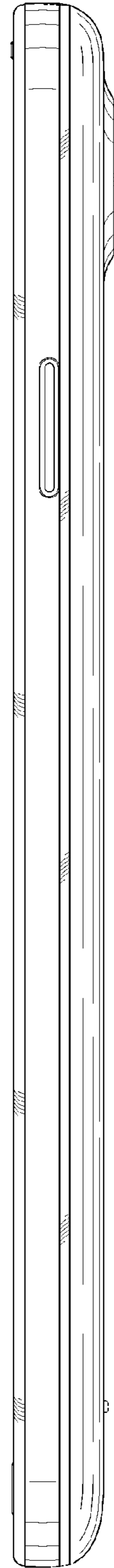


FIG.5

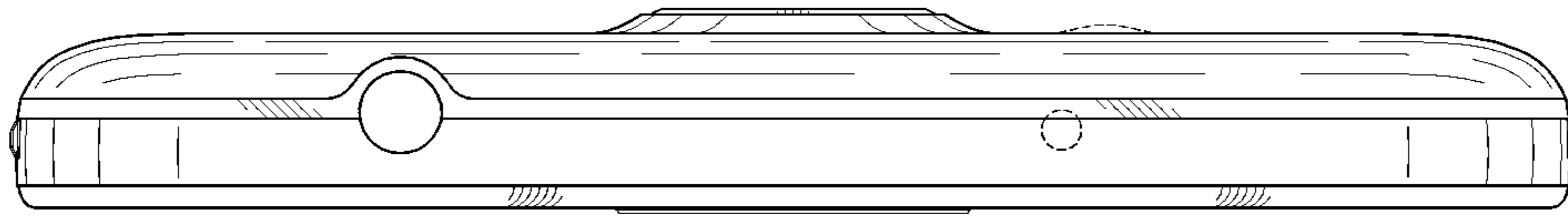


FIG. 6

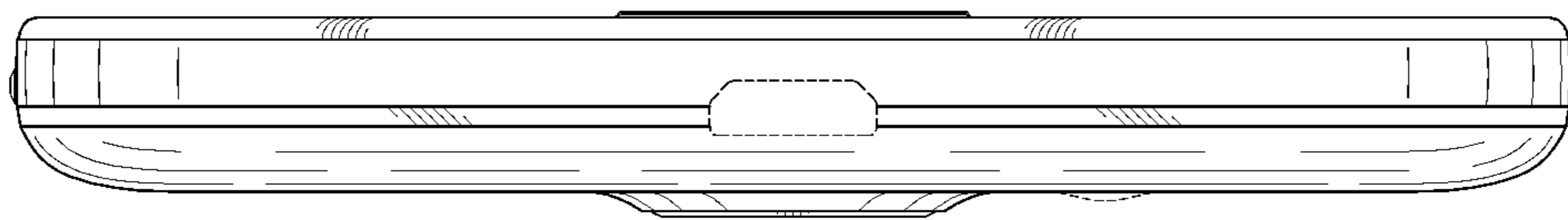


FIG. 7

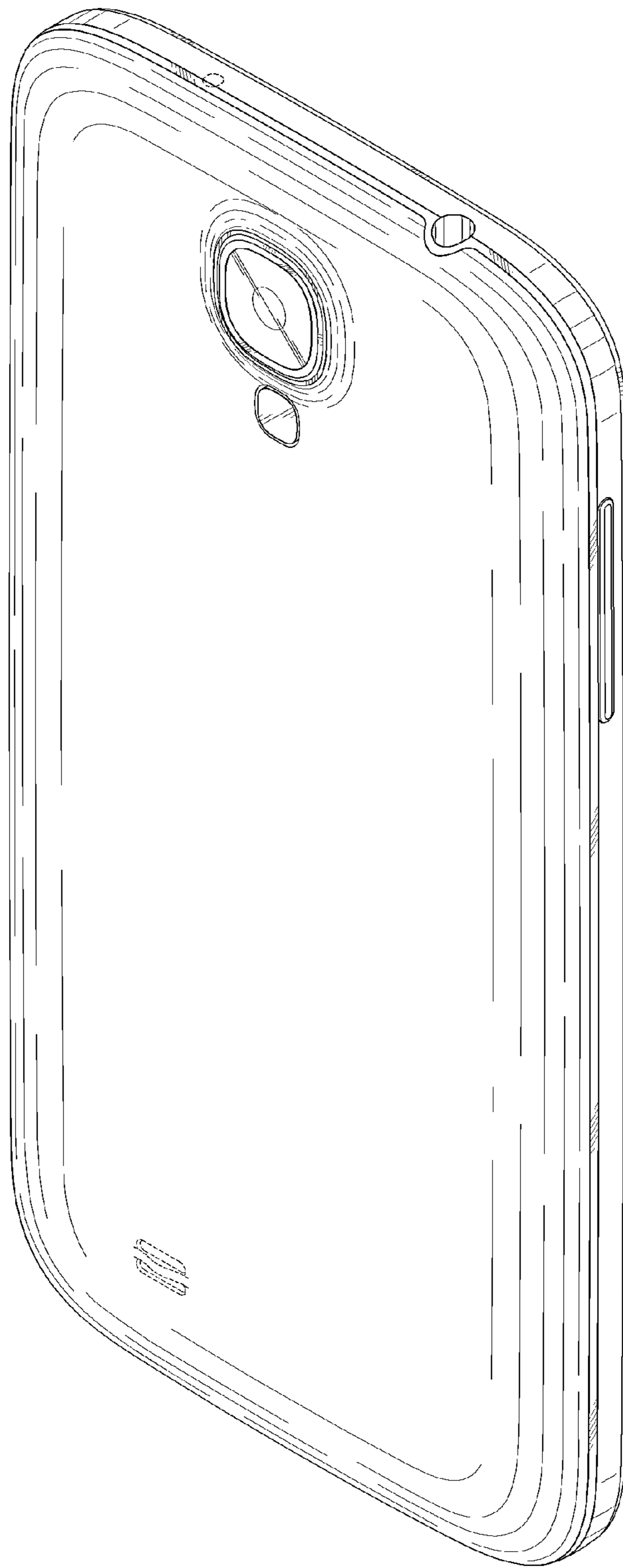


FIG.8

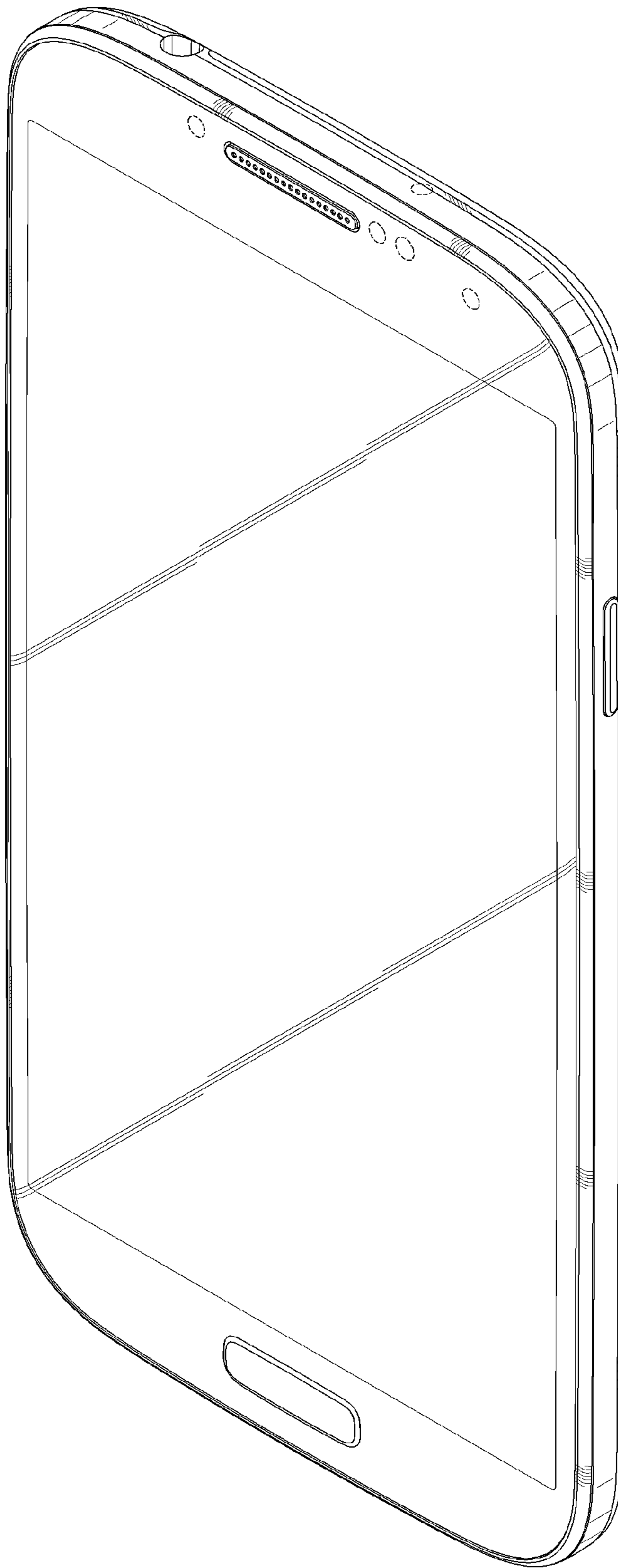


FIG. 9

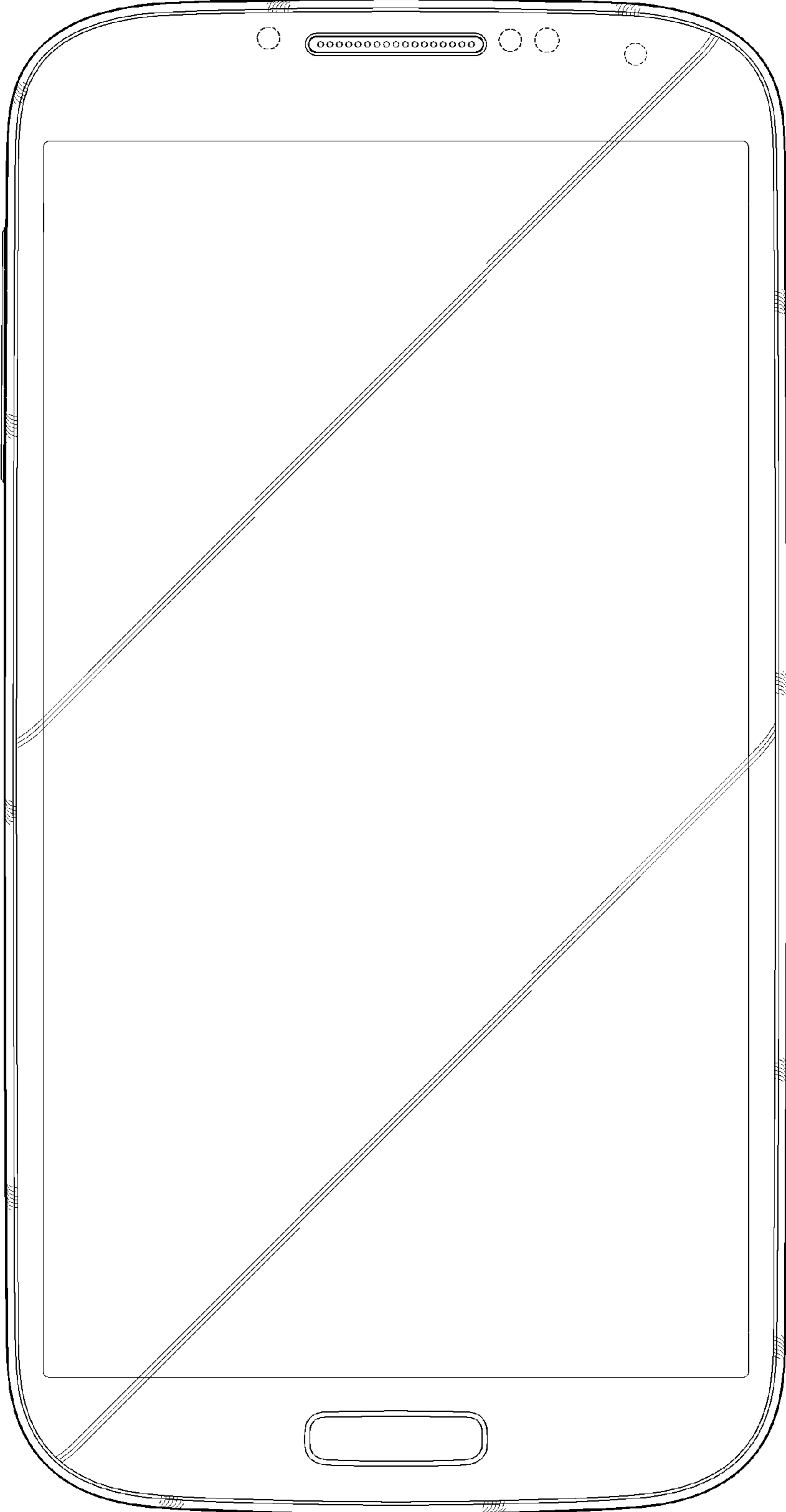


FIG.10

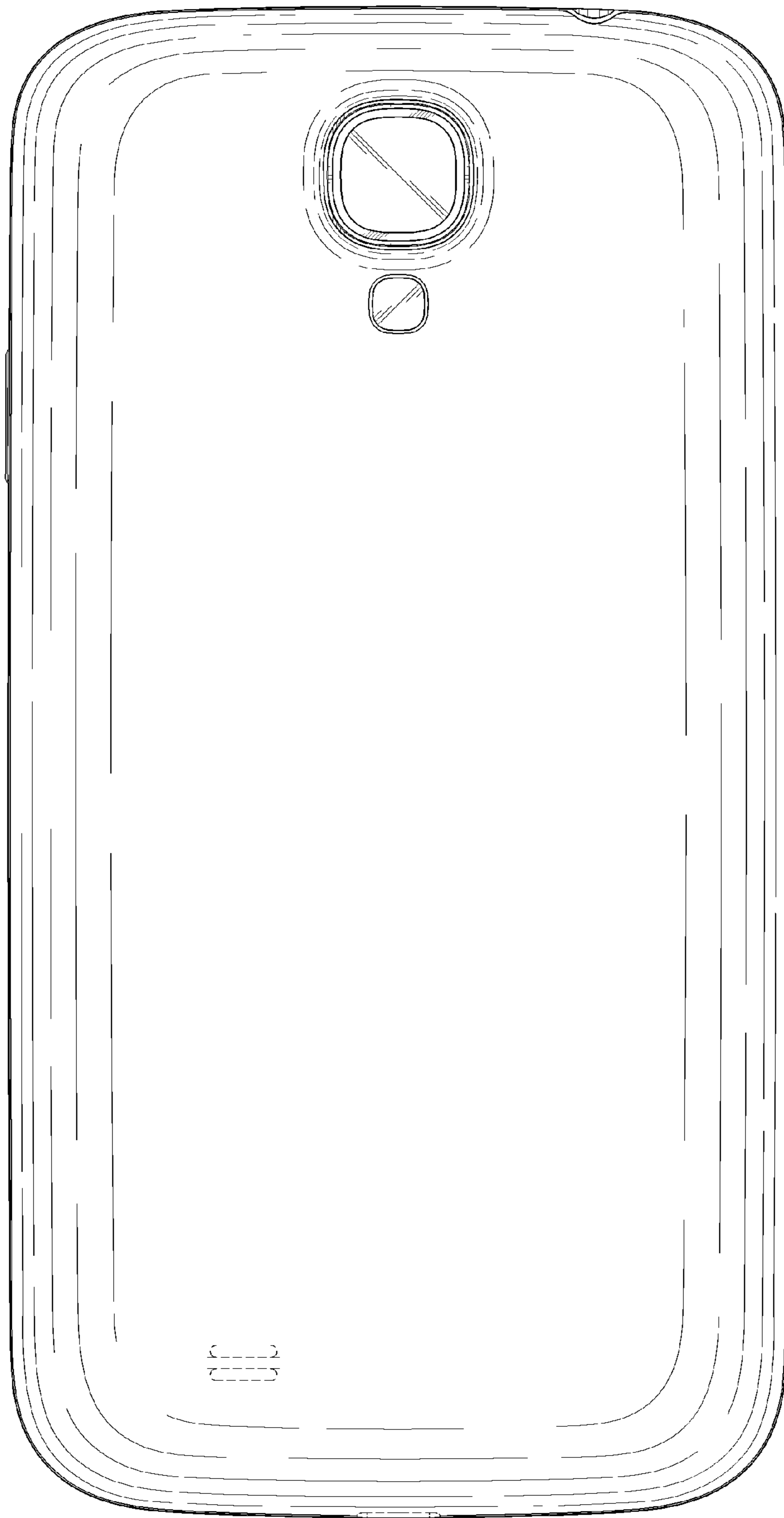


FIG.11

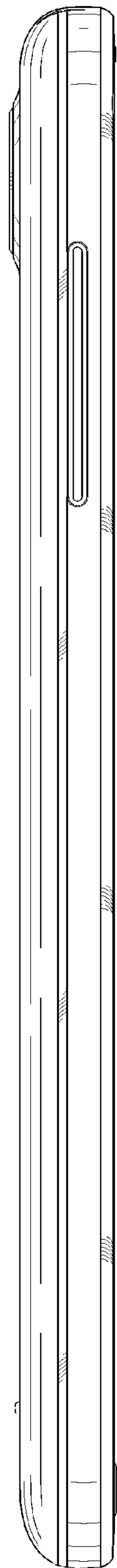


FIG. 12

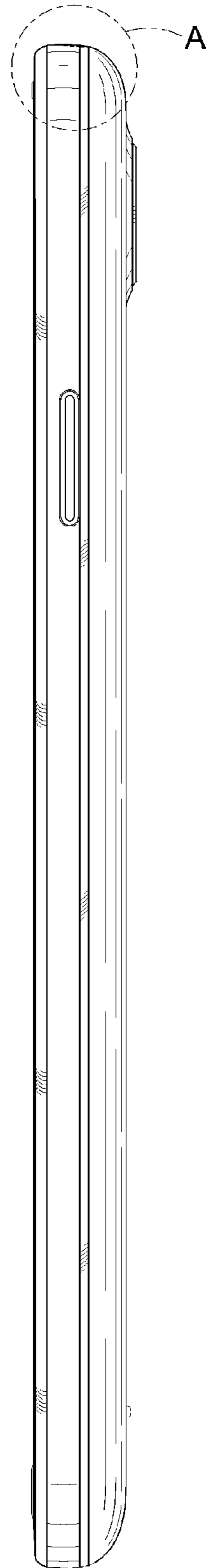


FIG. 13

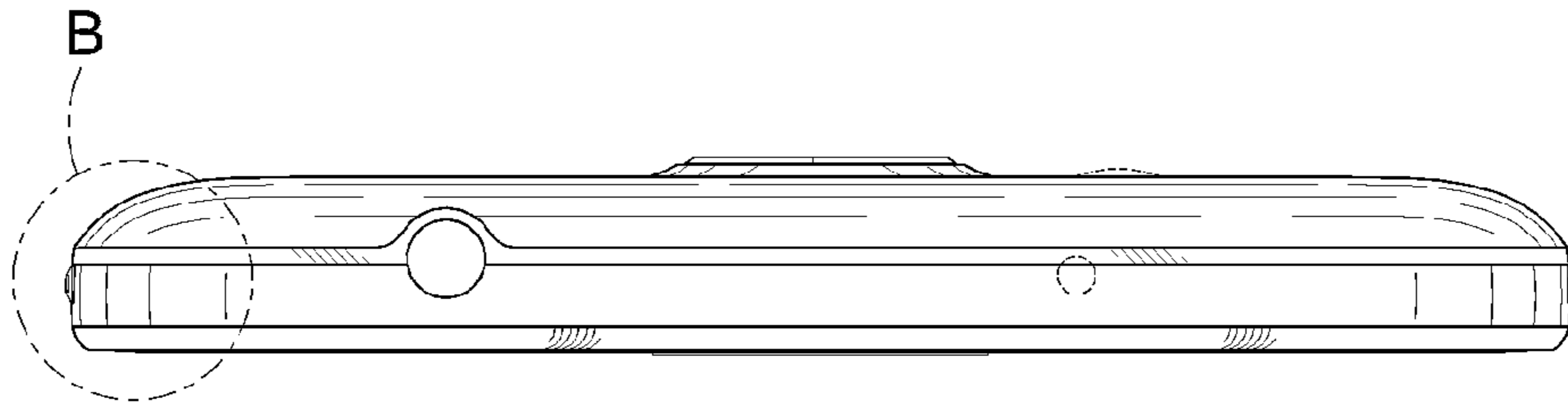


FIG.14

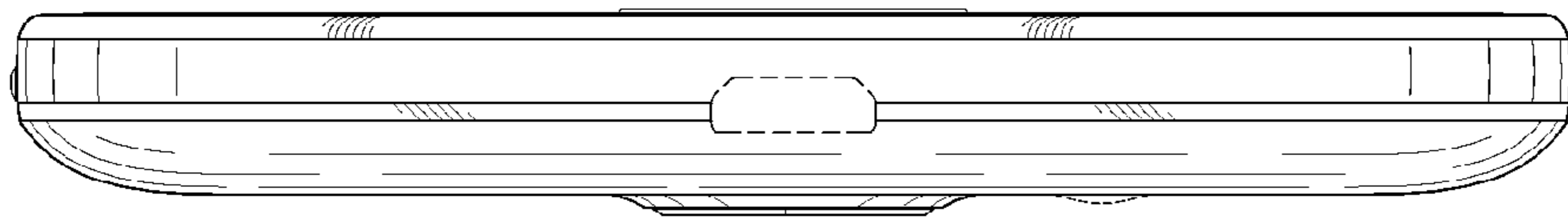


FIG.15

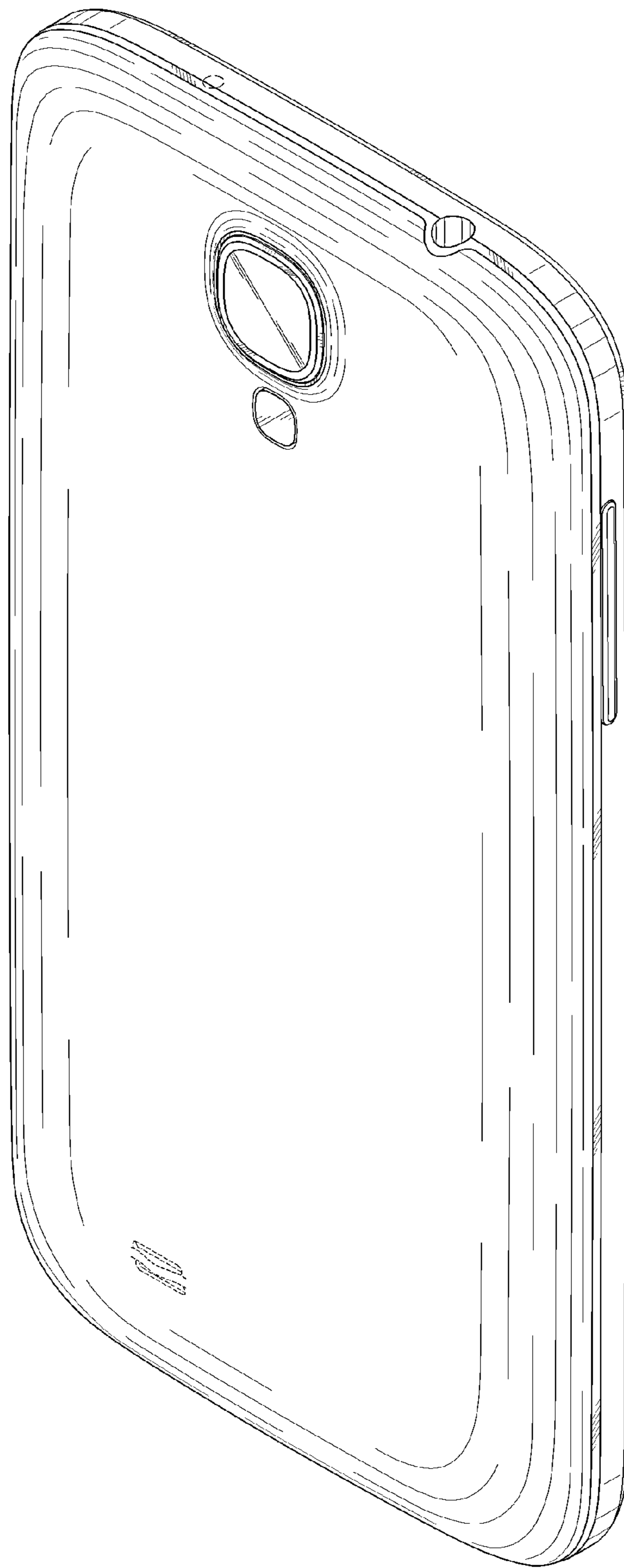


FIG.16

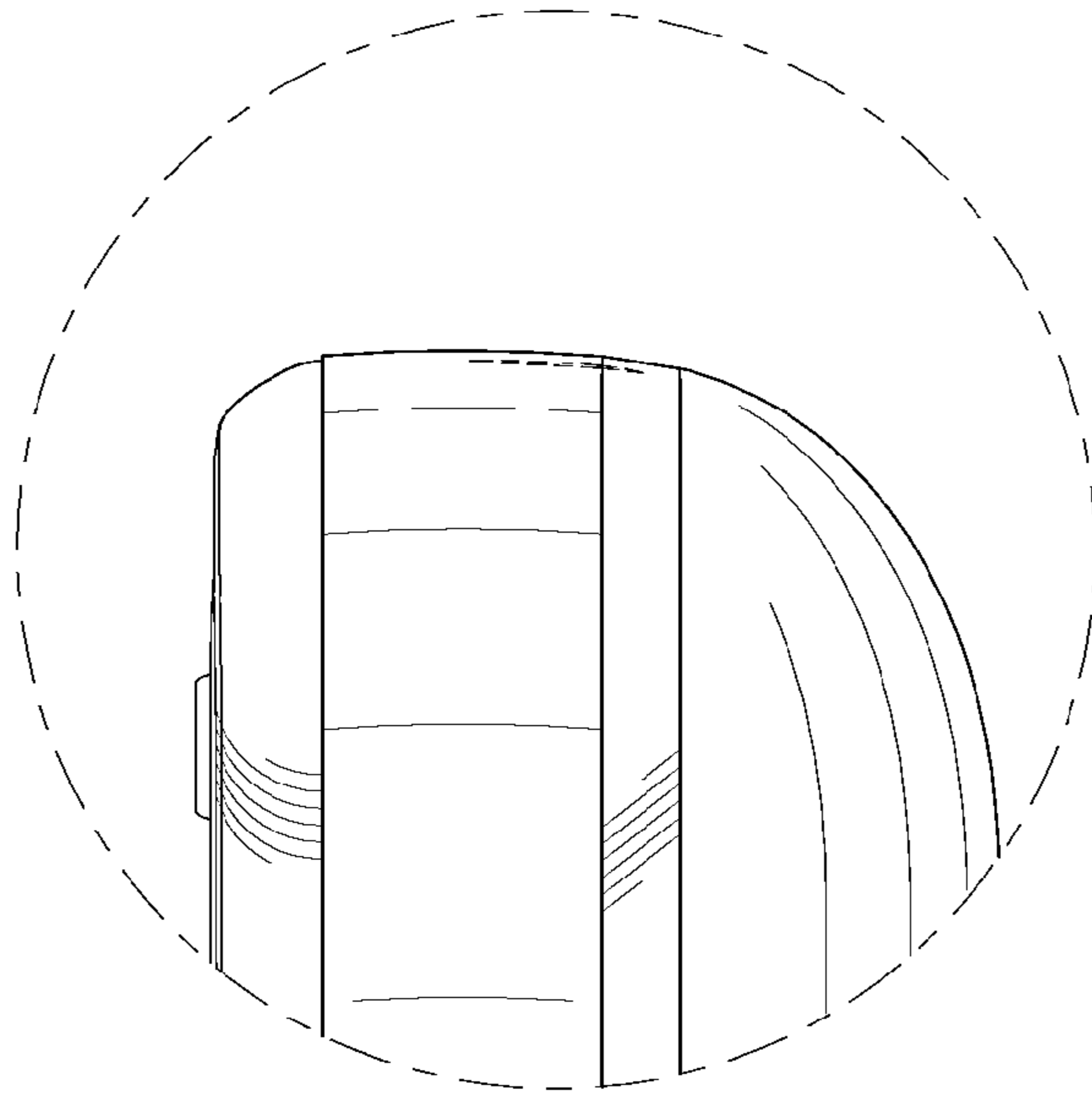


FIG.17

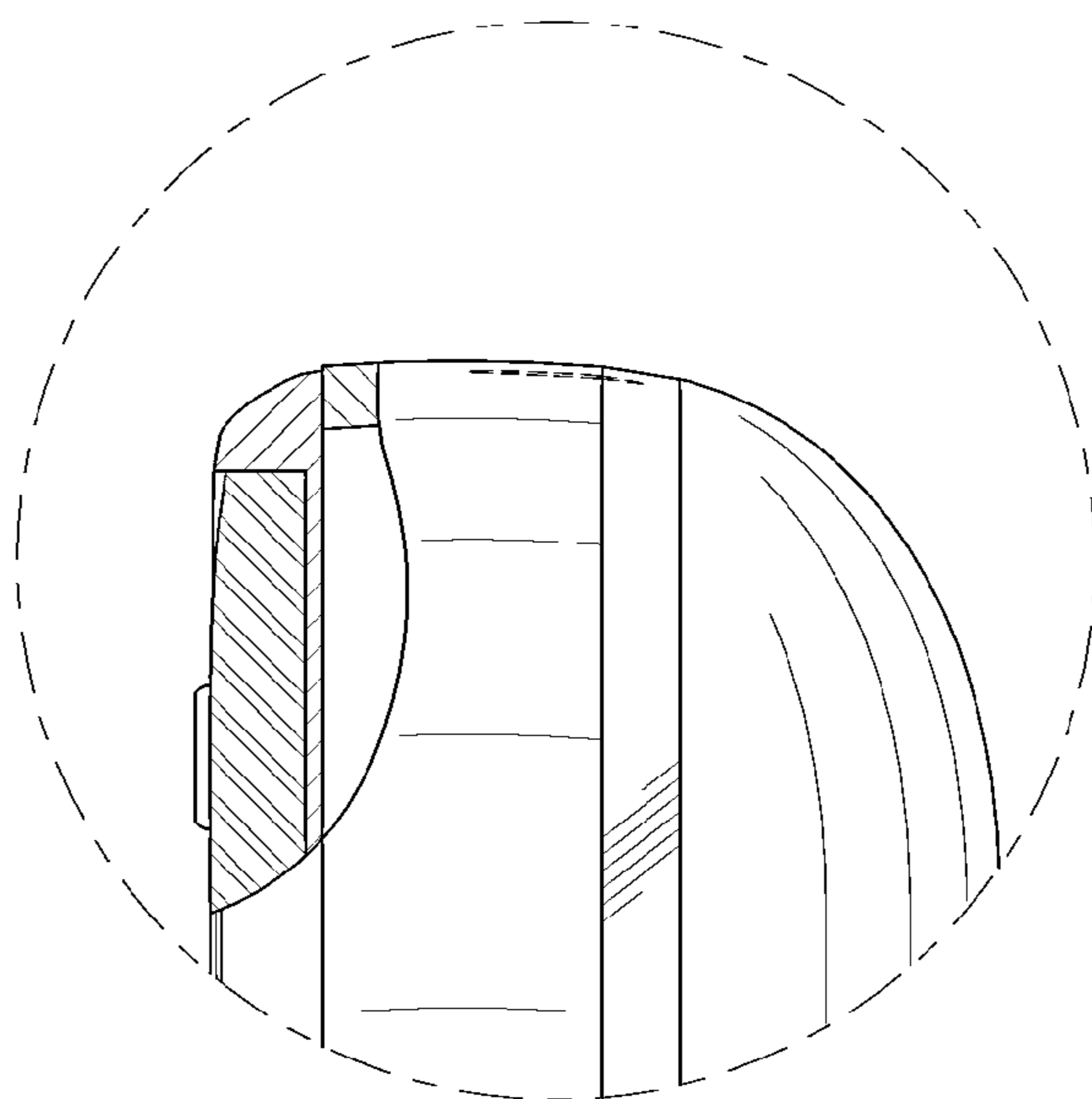


FIG.18

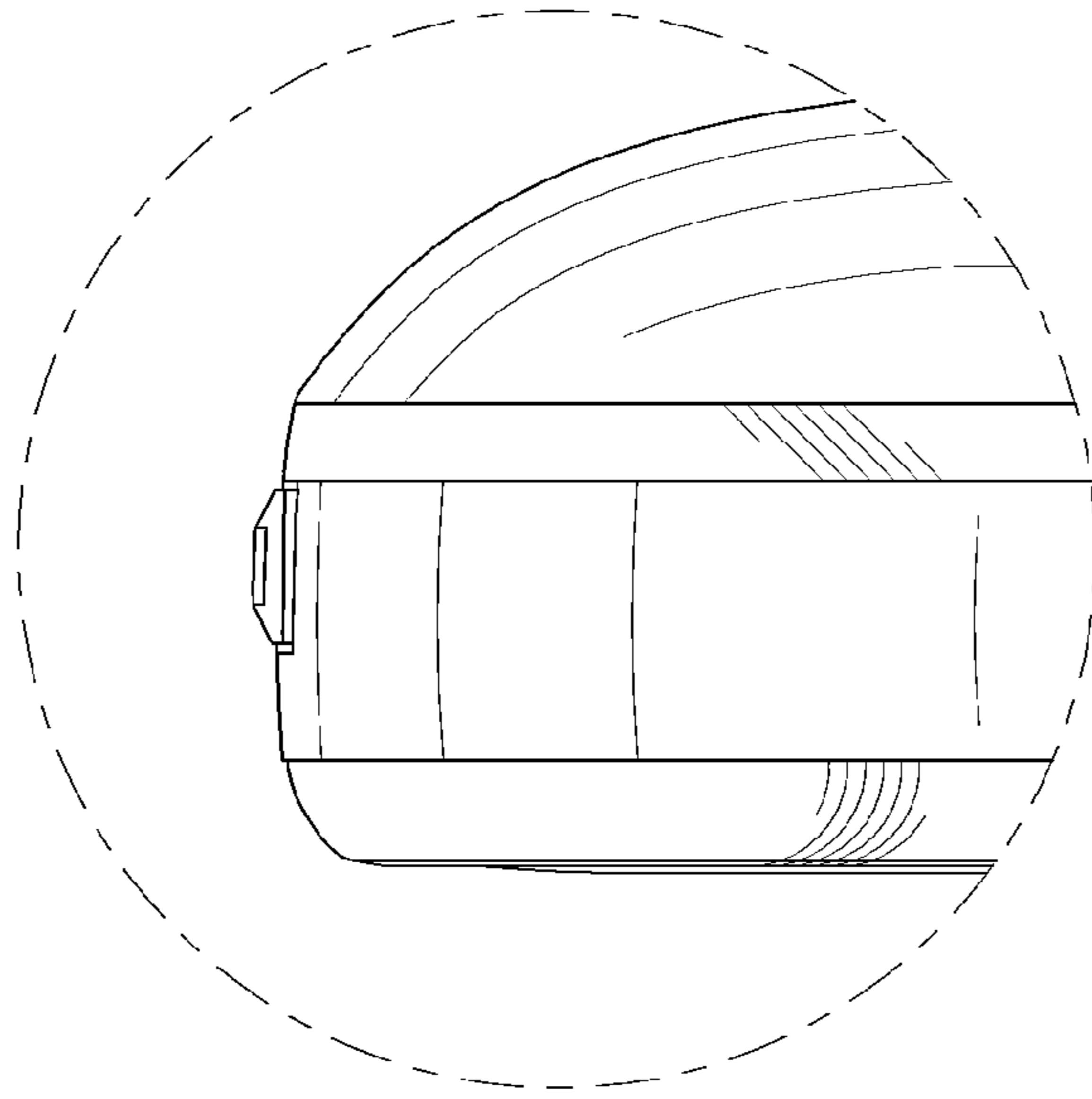


FIG.19

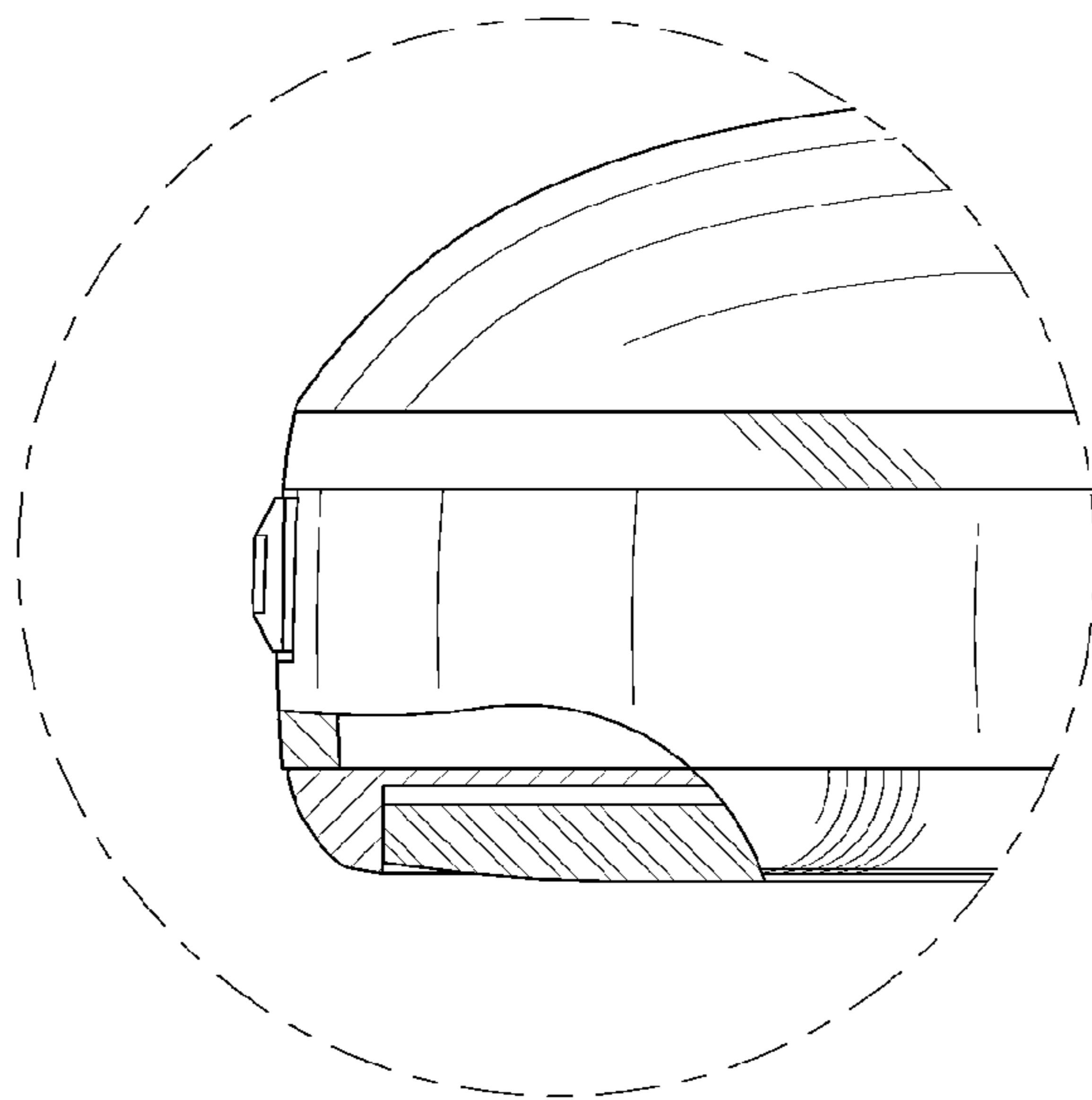


FIG.20

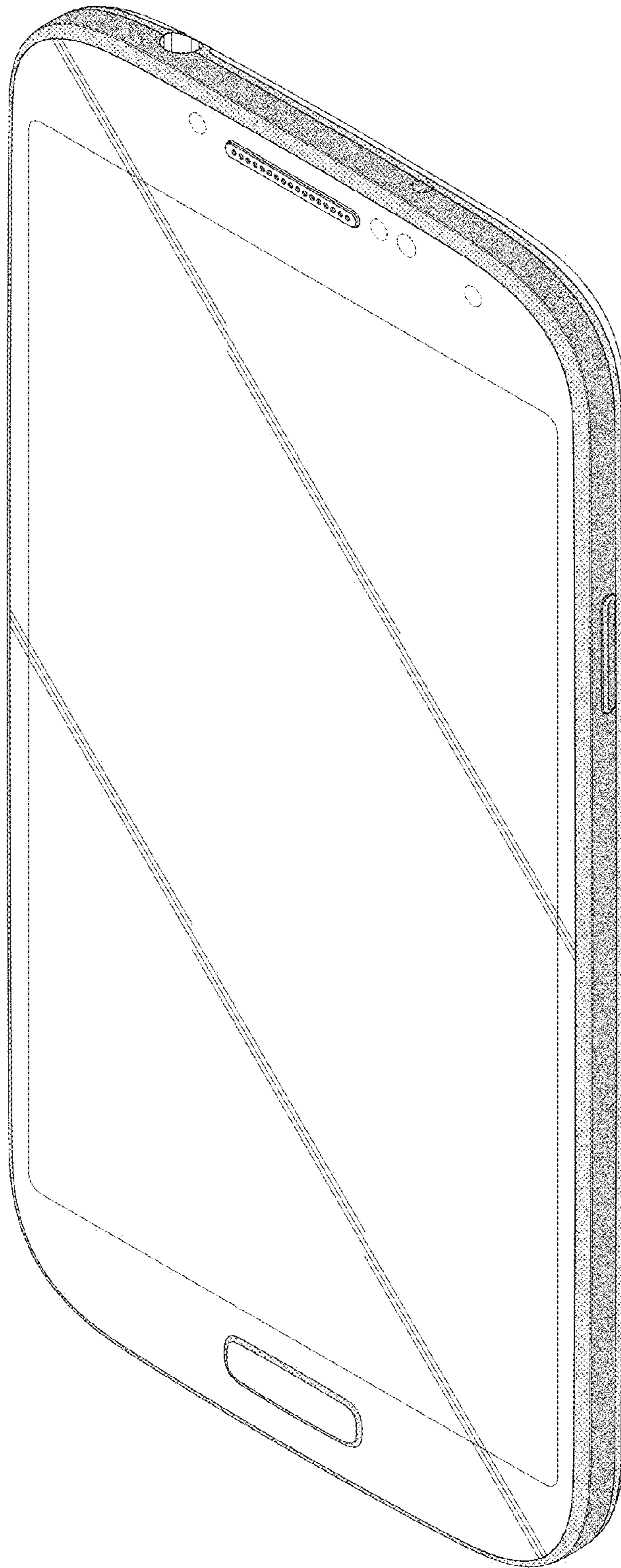


FIG.21

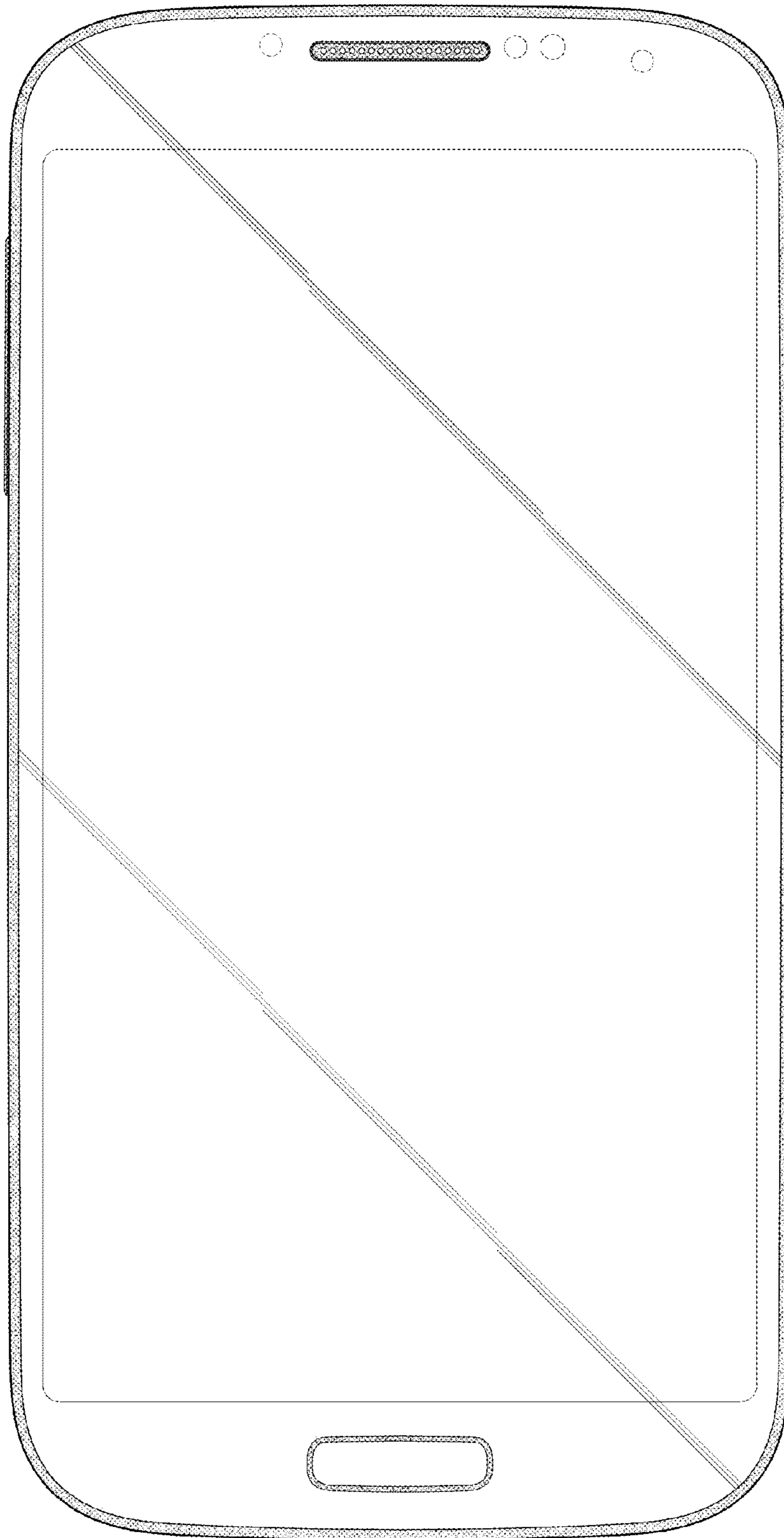


FIG. 22

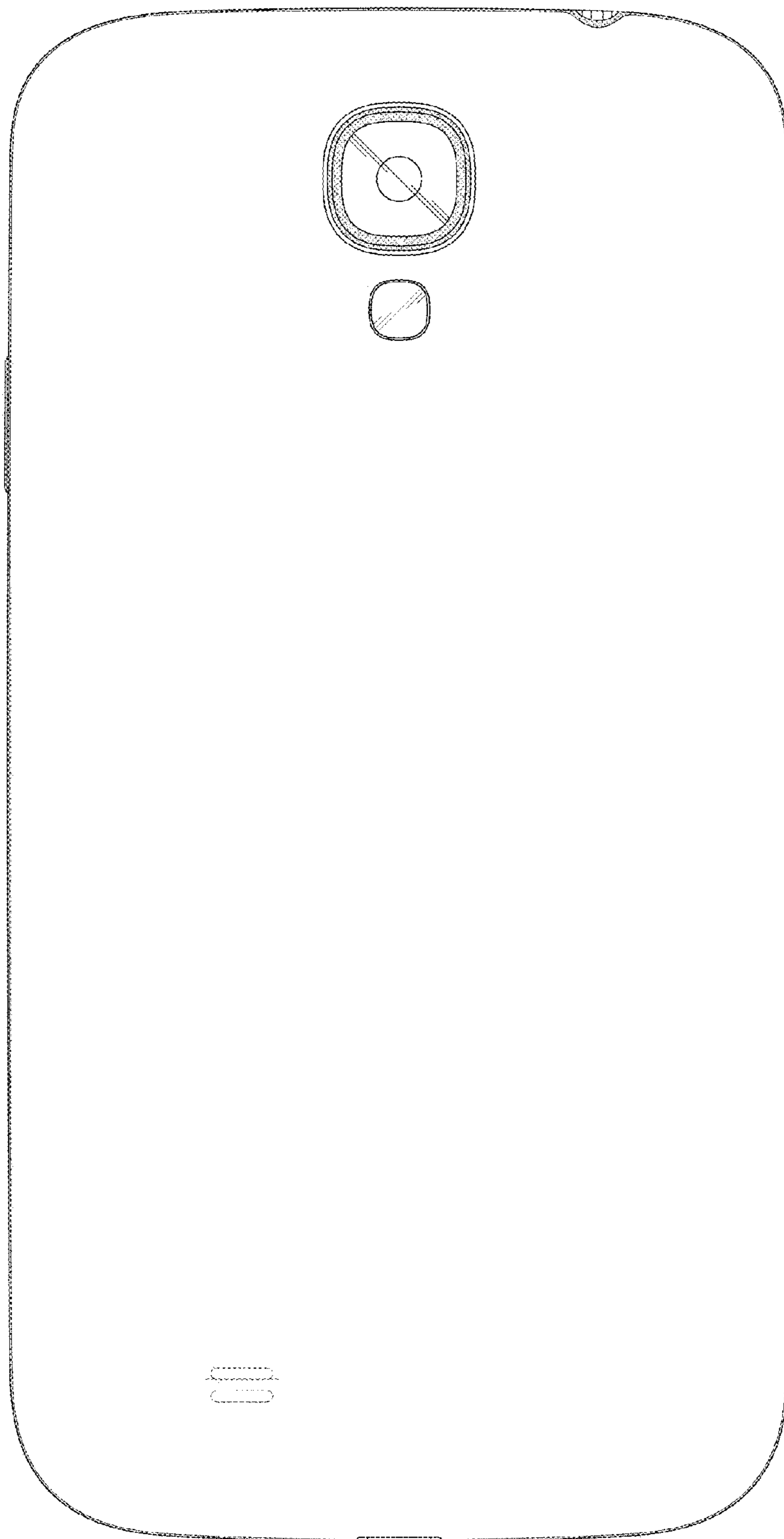


FIG.23

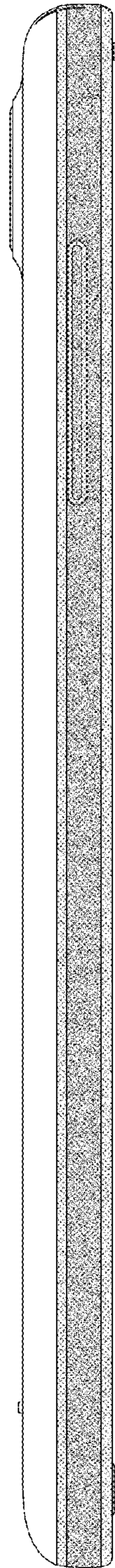


FIG. 24

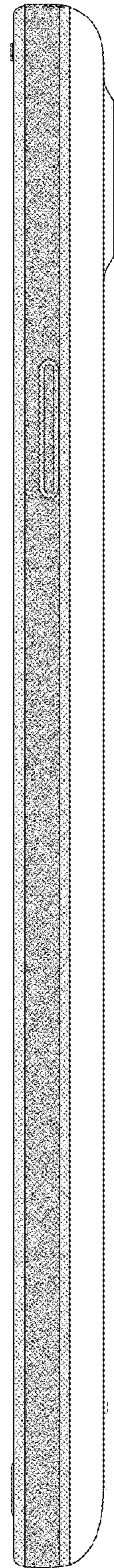


FIG. 25

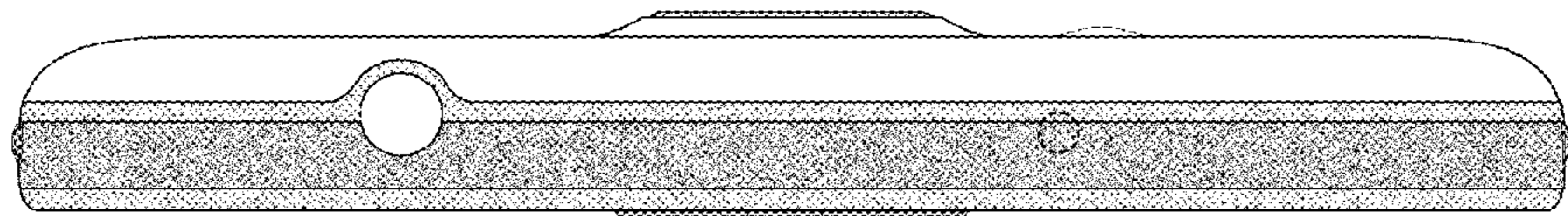


FIG.26

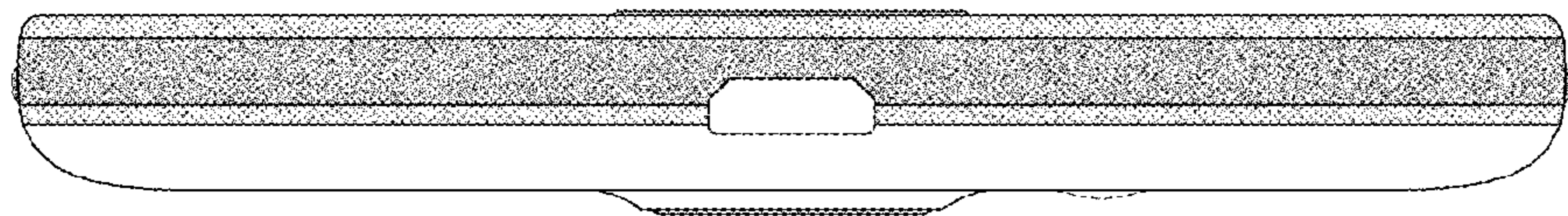


FIG.27

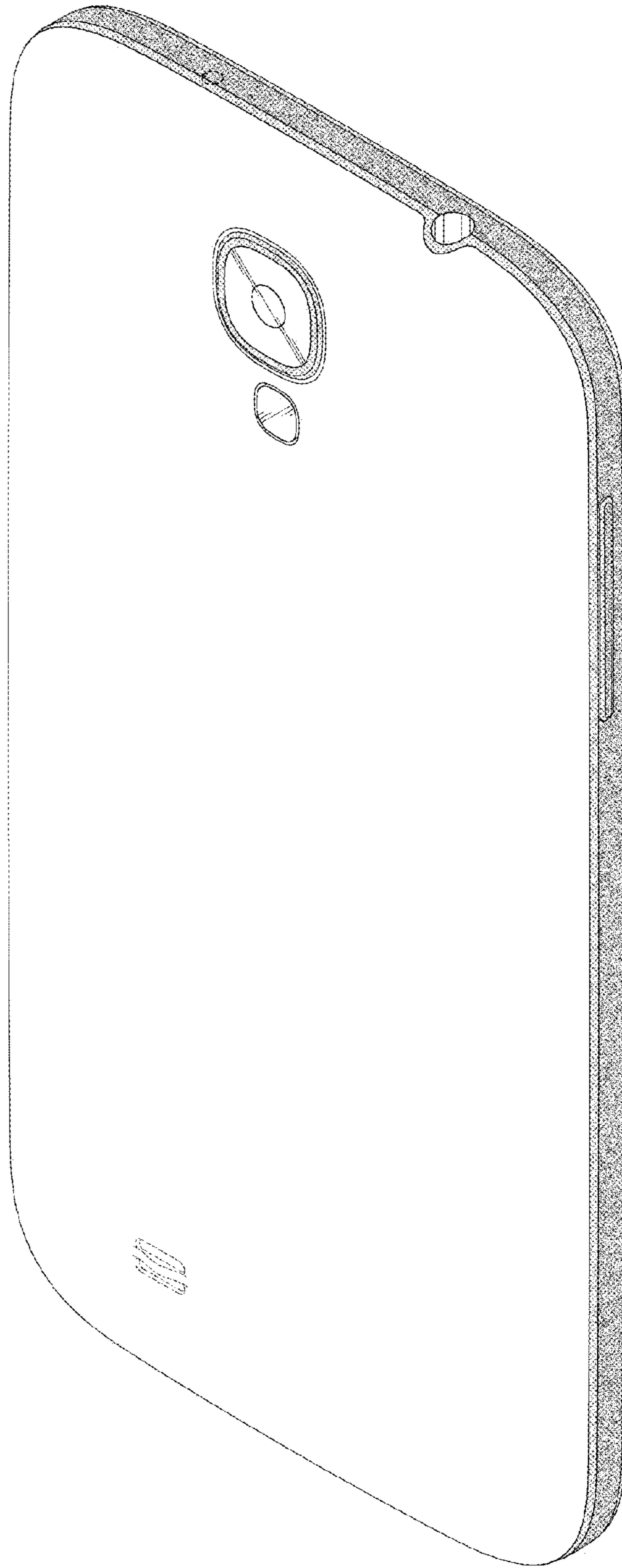


FIG.28