



US00D722030S

(12) **United States Design Patent**
Opfer et al.

(10) **Patent No.:** **US D722,030 S**

(45) **Date of Patent:** **** Feb. 3, 2015**

(54) **POLE UNIT HOUSING FOR ELECTRICAL SWITCHGEAR**

(56) **References Cited**

U.S. PATENT DOCUMENTS

(71) Applicant: **S&C Electric Company**, Chicago, IL (US)

D317,749	S	*	6/1991	Swanson et al.	D13/132
D556,696	S	*	12/2007	Ruemenapp	D13/158
7,364,691	B2	*	4/2008	Barker et al.	266/275
7,910,852	B2	*	3/2011	Chen et al.	218/153
D635,600	S	*	4/2011	Wu	D15/143
D658,589	S	*	5/2012	Shang et al.	D13/158
D660,253	S	*	5/2012	Gentsch	D13/158
D665,433	S	*	8/2012	Beam et al.	D15/143
8,334,738	B2	*	12/2012	Smith et al.	335/18
D707,258	S	*	6/2014	Tomioka et al.	D15/5
2014/0333282	A1	*	11/2014	Javora et al.	324/76.11

(72) Inventors: **John C. Opfer**, Chicago, IL (US);
James W. Baker, Jr., Niles, IL (US);
Jason Robert Bogusz, Chicago, IL (US)

(73) Assignee: **S&C Electric Company**, Chicago, IL (US)

* cited by examiner

(**) Term: **14 Years**

Primary Examiner — Thomas Johannes

(21) Appl. No.: **29/487,238**

Assistant Examiner — Shawn T Gingrich

(22) Filed: **Apr. 7, 2014**

(74) *Attorney, Agent, or Firm* — Ingrassia Fisher & Lorenz P.C.

(51) **LOC (10) Cl.** **13-03**

(57) **CLAIM**

(52) **U.S. Cl.**
USPC **D13/158**

The ornamental design for a pole unit housing for electrical switchgear, as shown and described.

(58) **Field of Classification Search**

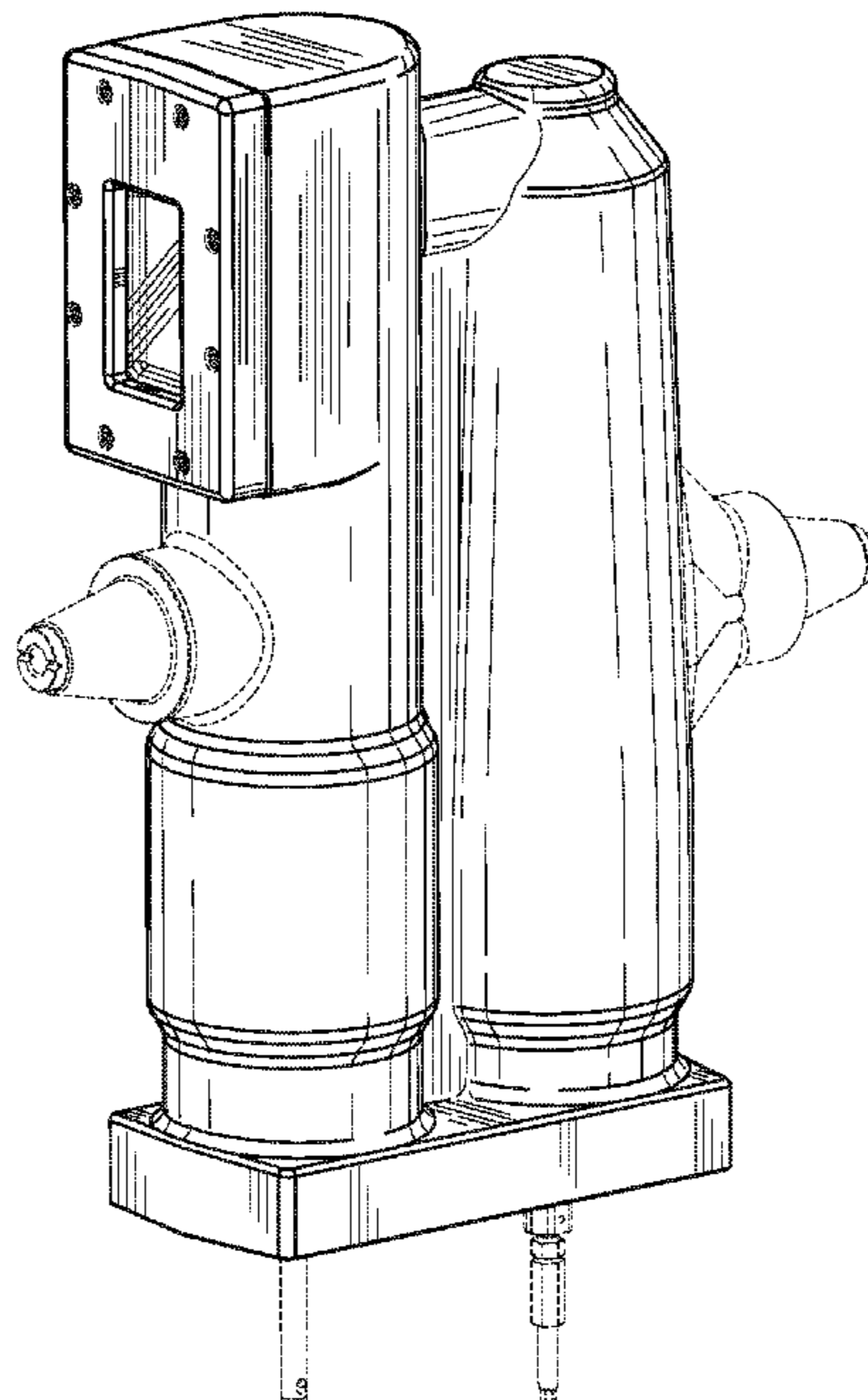
DESCRIPTION

CPC . H02M 7/003; H05K 7/20918; H05K 7/1418;
G02B 6/3897; G02B 6/4453; G06F 1/18;
G06F 1/1632; H04N 5/268; H01H 33/66;
H02K 11/046; H02K 19/365; H02K 5/225
USPC D12/332; D13/101, 107, 110–112, 114,
D13/117, 118, 120, 122–128, 133, 158–160,
D13/164, 167, 184; D14/125, 142, 240,
D14/348, 353, 358; D15/5, 138, 143;
D21/330; D23/200, 207; 218/2, 77–79,
218/102, 118; 290/31, 36 R, 38 R; 310/10,
310/40 R, 40.5; 361/66, 605, 612

FIG. 1 is a front perspective view of the pole unit housing;
FIG. 2 is a rear perspective view;
FIG. 3 is a front elevation;
FIG. 4 is a right side elevation;
FIG. 5 is a top plan view;
FIG. 6 is a bottom plan view;
FIG. 7 is a right side elevation; and,
FIG. 8 is a back elevation.
The broken lines shown in FIGS. 1-8 are for the purposes of illustrating unclaimed portions of the pole unit and form no part of the claimed design.

See application file for complete search history.

1 Claim, 7 Drawing Sheets



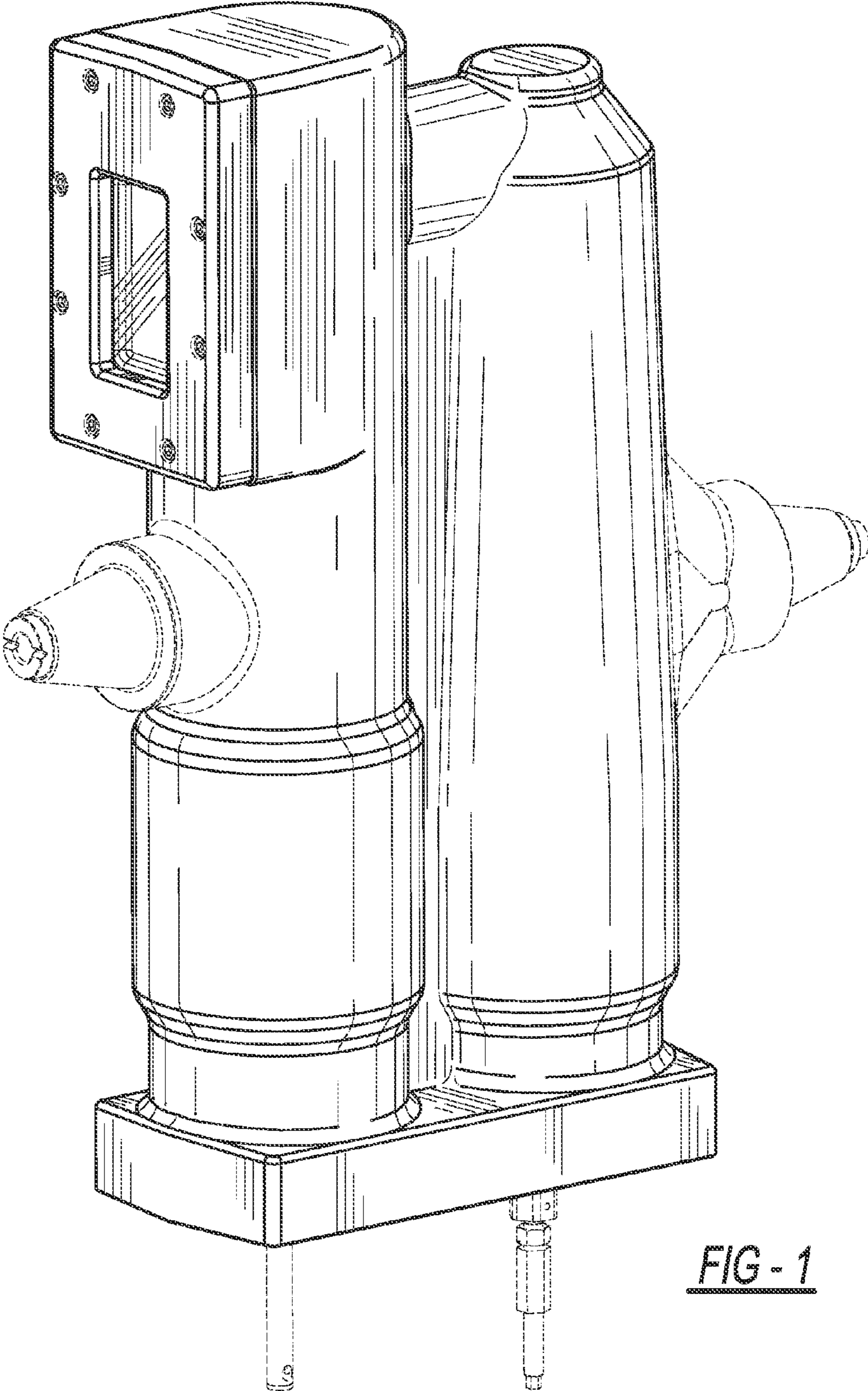


FIG - 1

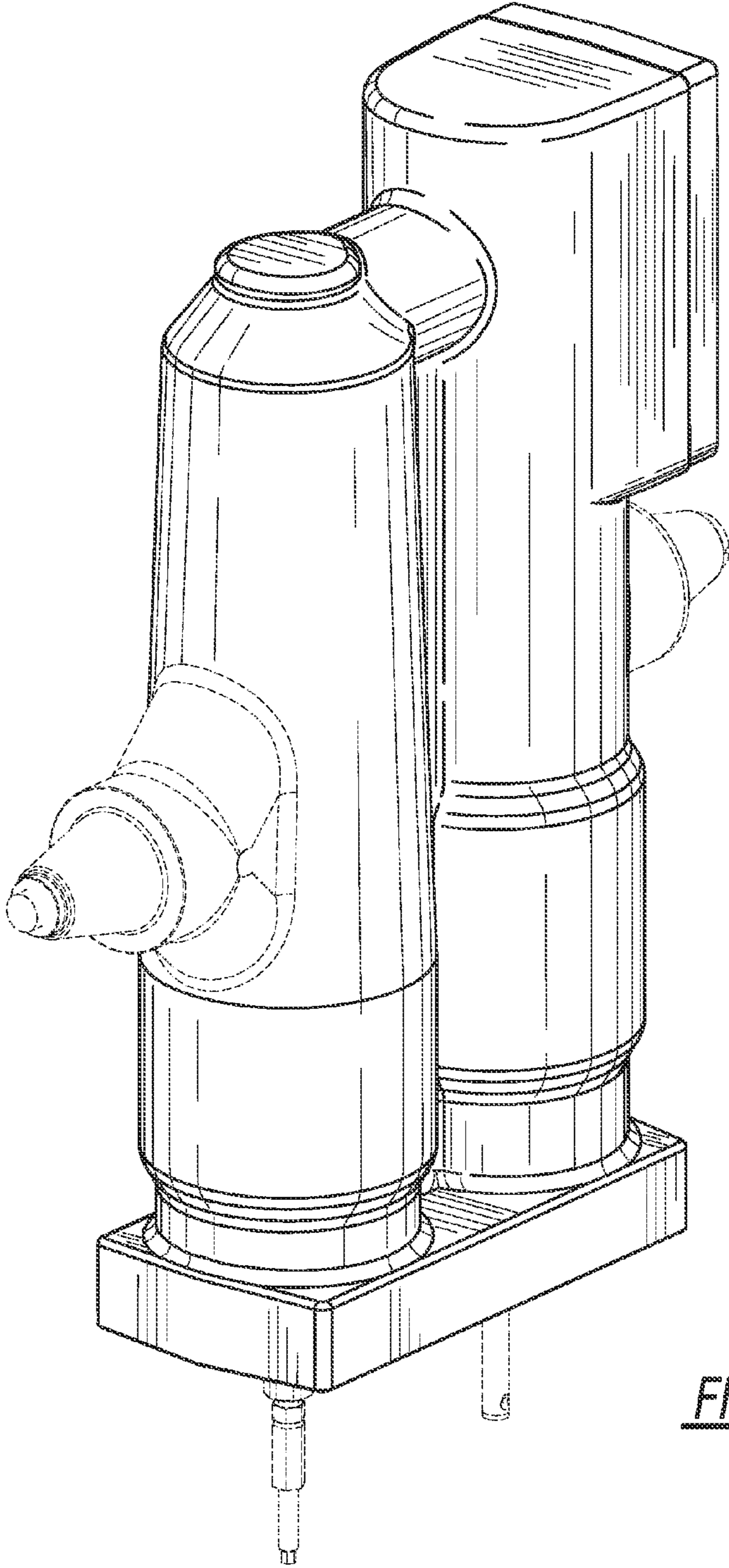


FIG - 2

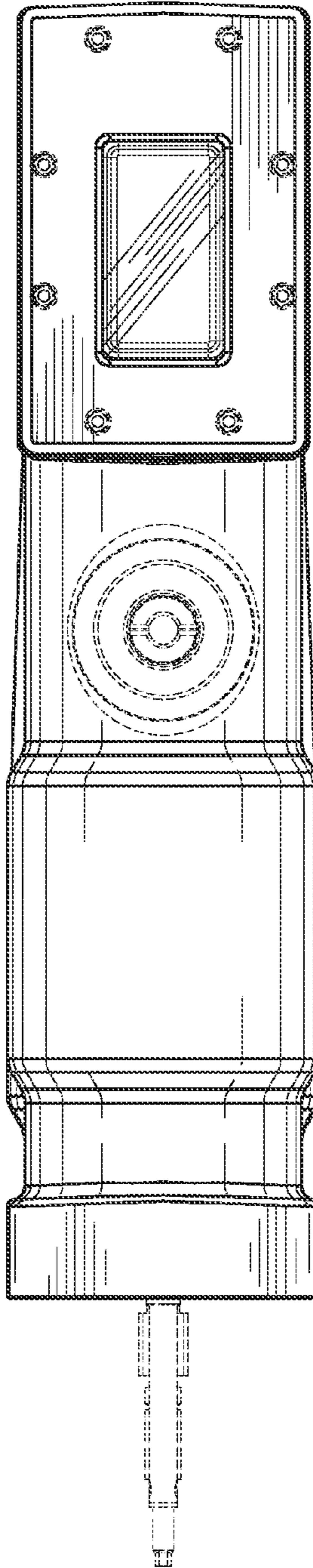


FIG - 3

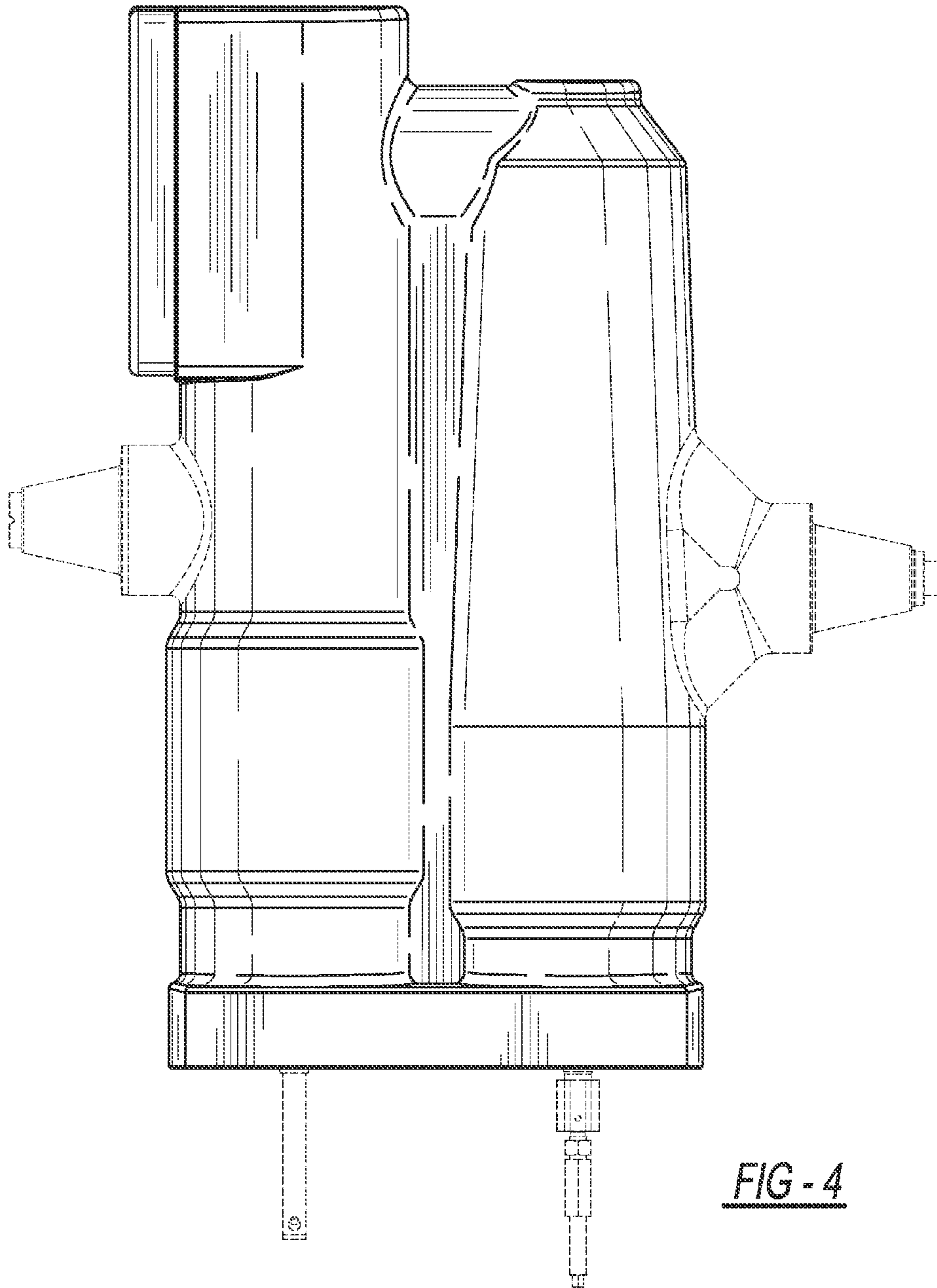


FIG - 4

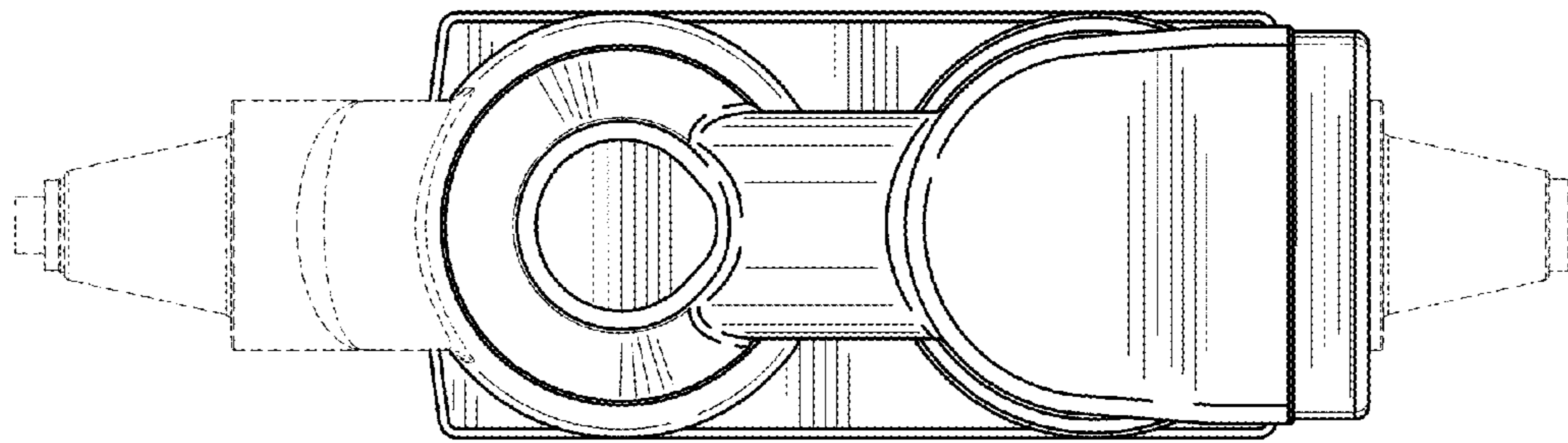


FIG - 5

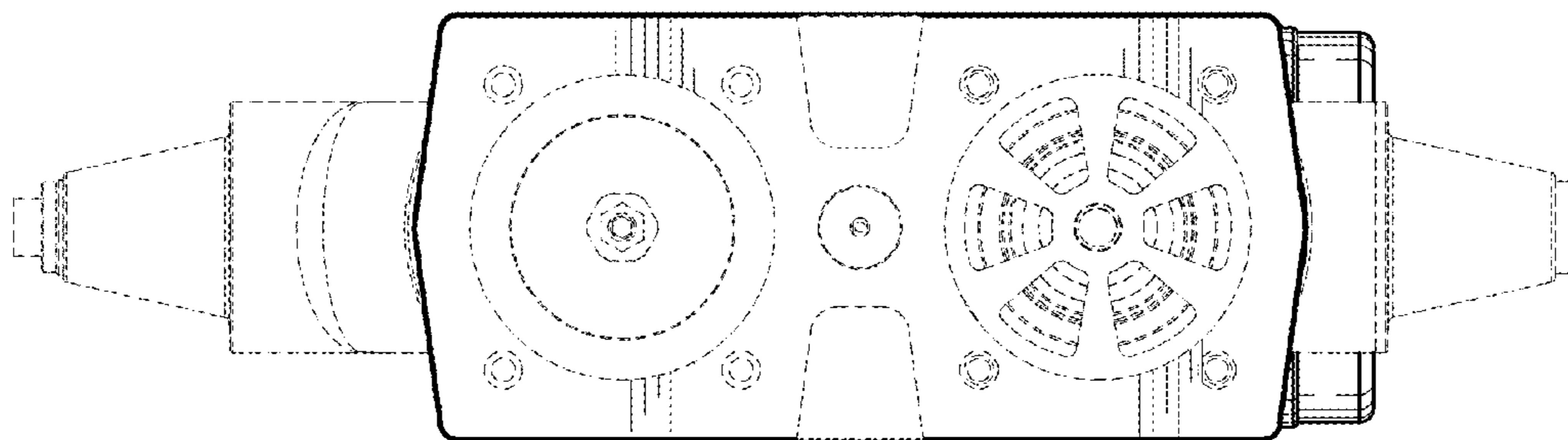


FIG - 6

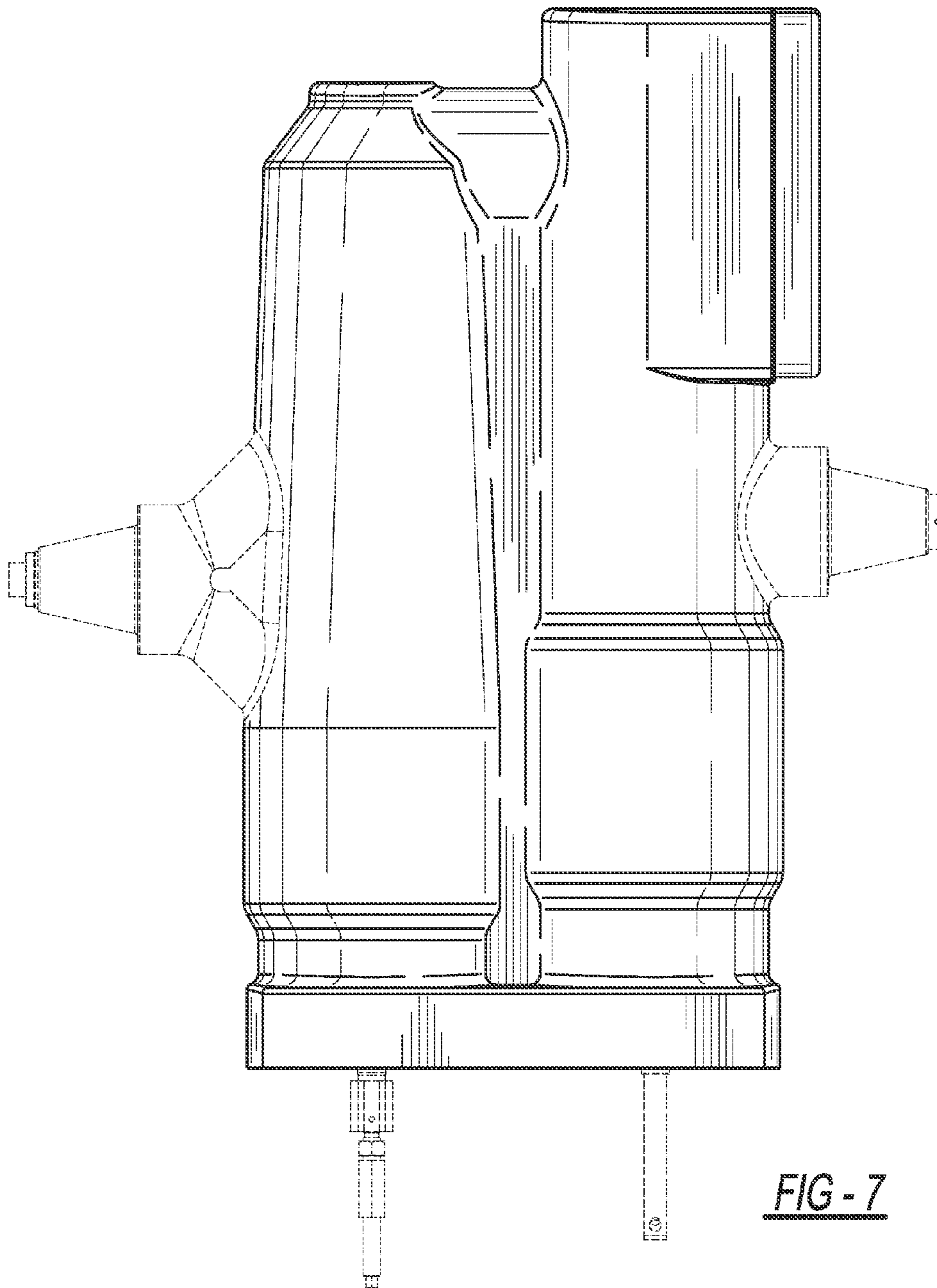


FIG - 7

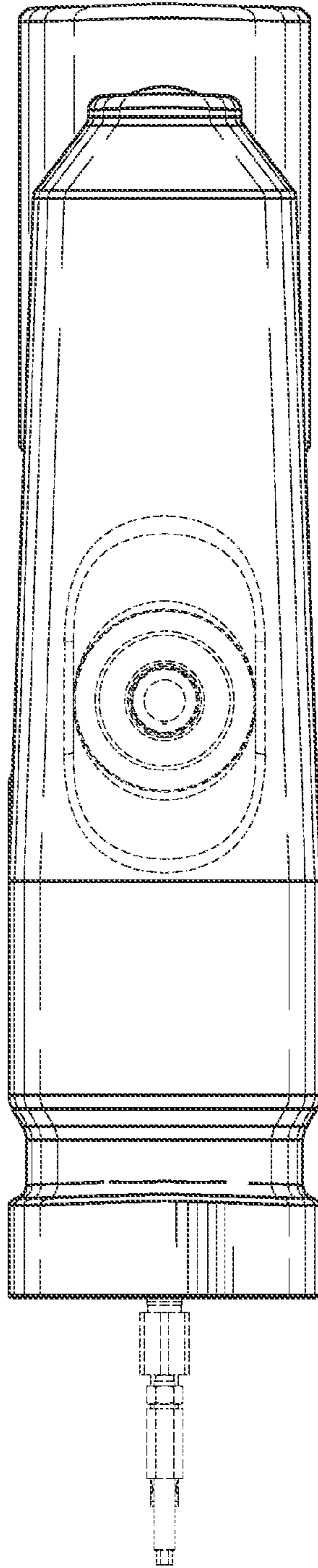


FIG - 8