



US00D722029S

(12) **United States Design Patent**
Hagarty

(10) **Patent No.:** **US D722,029 S**
(45) **Date of Patent:** **** Feb. 3, 2015**

(54) **BOX SUPPORT BRACKET**
(71) Applicant: **RANDL Industries, Inc.**, Spokane Valley, WA (US)
(72) Inventor: **Robert J. Hagarty**, Spokane, WA (US)
(73) Assignee: **RANDL Industries, Inc.**, Spokane Valley, WA (US)

7,456,358 B2 * 11/2008 Swiencicki et al. 174/66
D584,236 S * 1/2009 Wegner et al. D13/152
D588,067 S * 3/2009 Seropian D13/152
D609,182 S * 2/2010 Ladewig et al. D13/118
D635,098 S * 3/2011 Ismert D13/152
8,253,040 B2 8/2012 Hopkins
D686,997 S * 7/2013 Inaba et al. D13/152
D691,024 S * 10/2013 Stanic et al. D8/354
D698,737 S 2/2014 Hagarty
D707,635 S * 6/2014 Hagarty D13/156

(**) Term: **14 Years**
(21) Appl. No.: **29/475,957**
(22) Filed: **Dec. 9, 2013**
(51) **LOC (10) Cl.** **13-03**
(52) **U.S. Cl.**
USPC **D13/152**
(58) **Field of Classification Search**
USPC D13/152, 156, 154, 162, 184, 199;
439/535, 536; 174/54, 55, 66, 65, 67;
220/241, 242; D8/350, 364, 366;
709/250
See application file for complete search history.

OTHER PUBLICATIONS

Hagarty, R.J., "Plaster Ring," U.S. Appl. No. 29/424,576, filed Jun. 13, 2012.
Hagarty, R.J., "Plaster Ring," U.S. Appl. No. 29/447,297, filed Mar. 1, 2013.

(Continued)

Primary Examiner — Ian Simmons
Assistant Examiner — Rhea Shields
(74) *Attorney, Agent, or Firm* — Christensen O'Connor Johnson Kindness PLLC

(57) **CLAIM**
The ornamental design for a box support bracket, as shown.

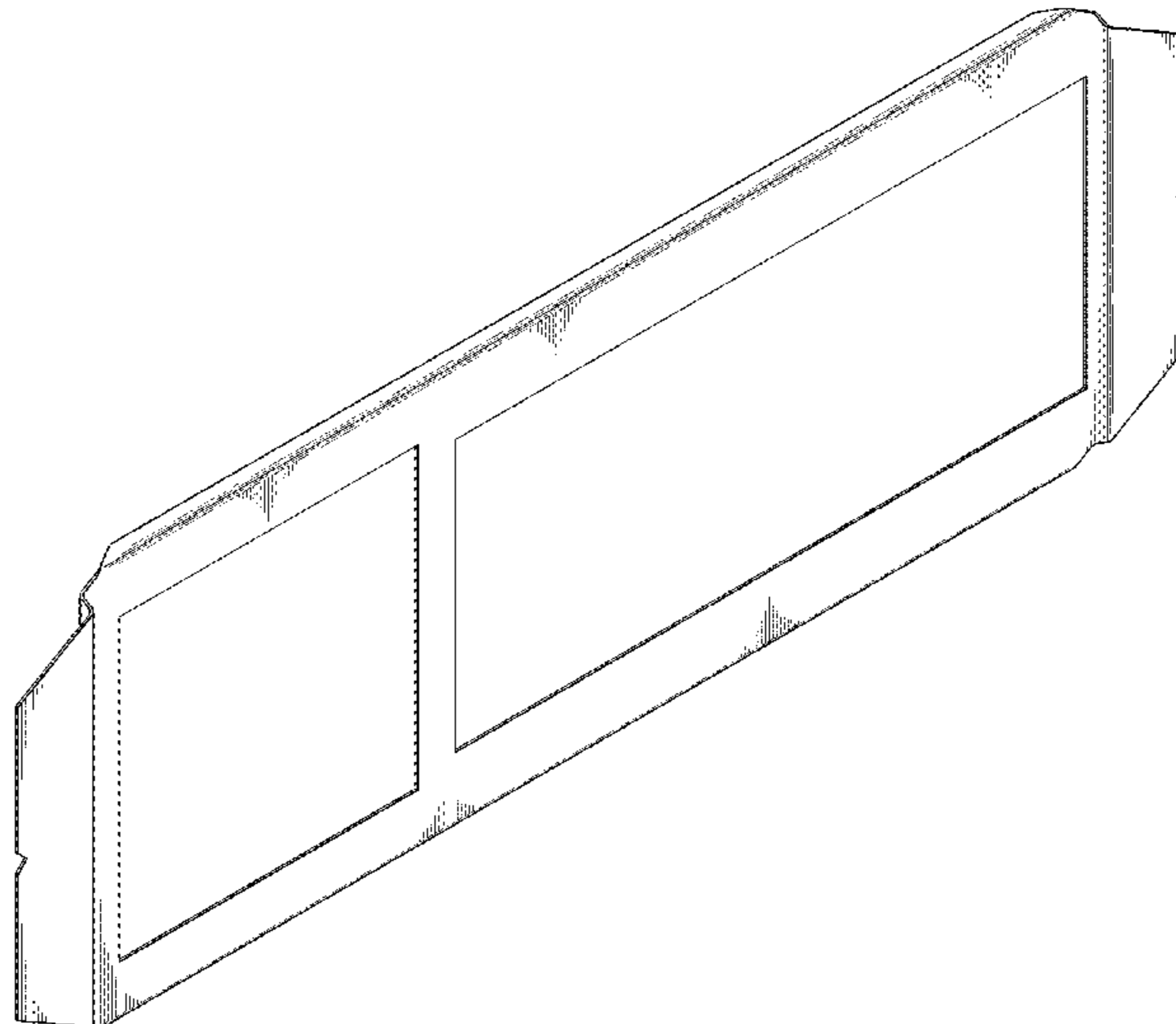
(56) **References Cited**
U.S. PATENT DOCUMENTS

4,790,505	A	12/1988	Rose	
D328,453	S *	8/1992	Naumann D13/152
D342,938	S	1/1994	Cheatham	
5,572,676	A *	11/1996	Ohnishi 709/250
D379,622	S	6/1997	Lynn	
6,066,803	A	5/2000	Hagarty	
6,103,972	A	8/2000	Hagarty	
6,379,166	B1	4/2002	Hagarty	
6,384,334	B1	5/2002	Webb	
D492,888	S *	7/2004	Wilson D8/349
6,858,802	B2	2/2005	Hagarty	
D529,787	S *	10/2006	Swiencicki et al. D8/350
7,271,336	B2	9/2007	Dinh	

DESCRIPTION

FIG. 1 is a first perspective of a box support bracket in accordance with the present design;
FIG. 2 is a front view of the box support bracket shown in FIG. 1;
FIG. 3 is a rear view of the box support bracket shown in FIG. 1;
FIG. 4 is a left side view of the box support bracket shown in FIG. 1, which is the same as the right side view; and,
FIG. 5 is a plan view of the box support bracket shown in FIG. 1, which is the same as the bottom view.

1 Claim, 4 Drawing Sheets



(56)

References Cited

OTHER PUBLICATIONS

Hagarty, R.J., "Plaster Ring With Wide Flange," U.S. Appl. No. 29/471,962, filed Nov. 6, 2013.

Hagarty, R.J., "Plaster Ring With Off-Center Aperture," U.S. Appl.

No. 29/471,963, filed Nov. 6, 2013.

* cited by examiner

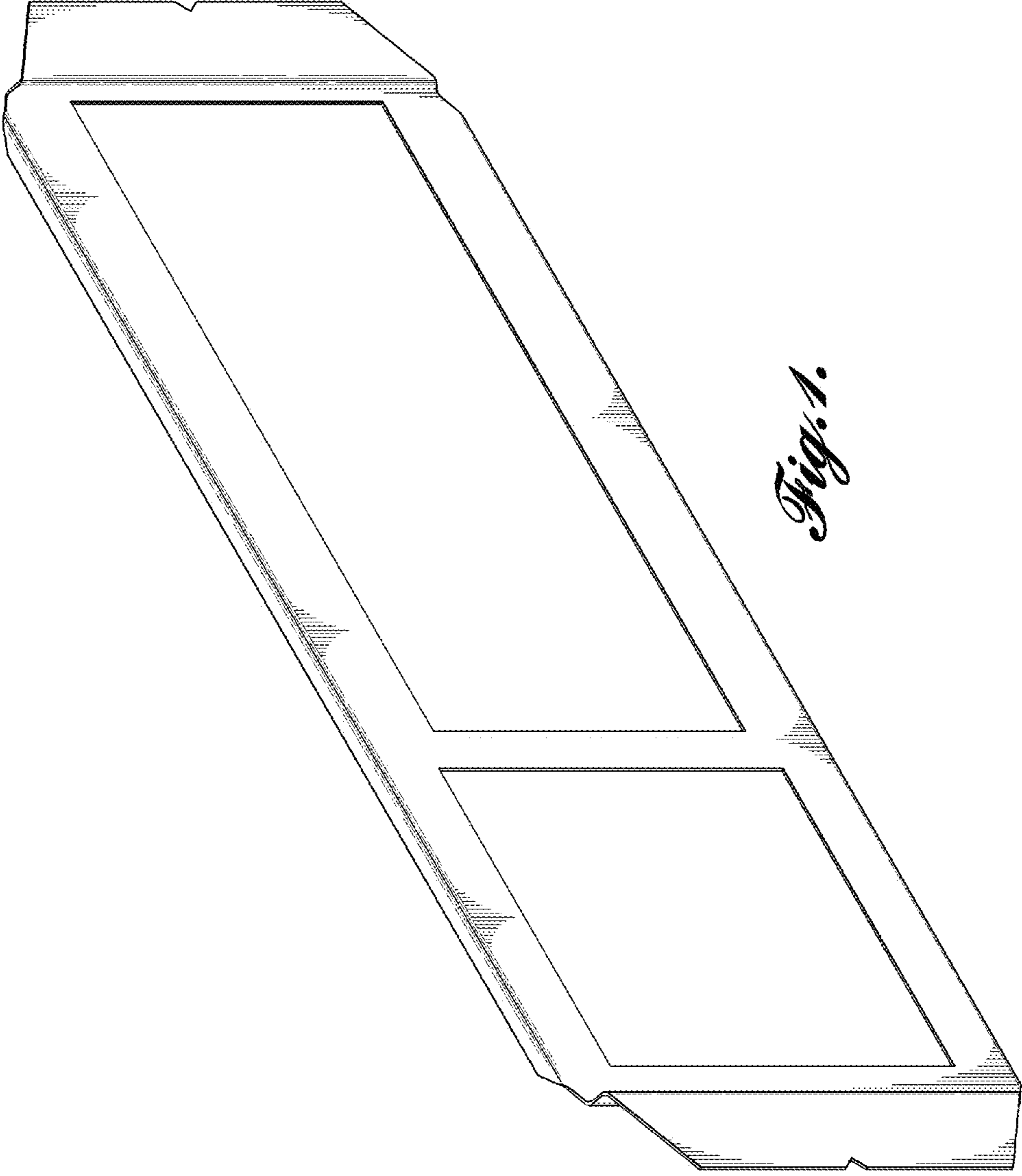


Fig. 1.

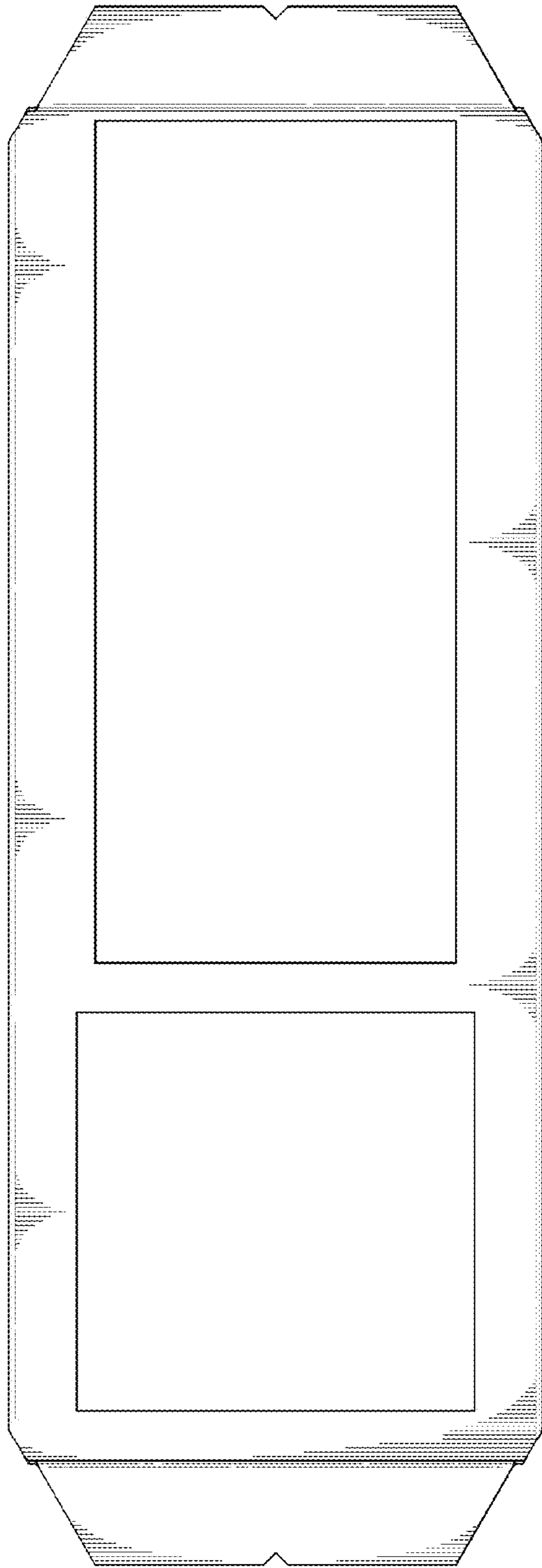


Fig. 2.

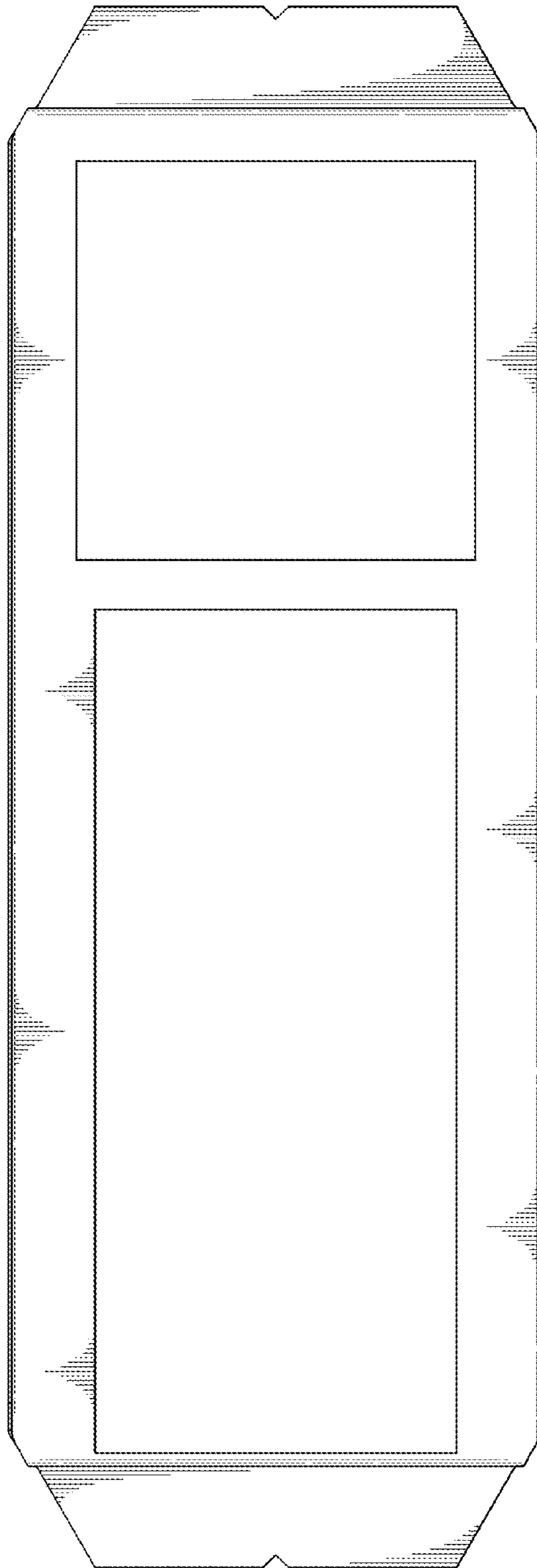


Fig. 3.

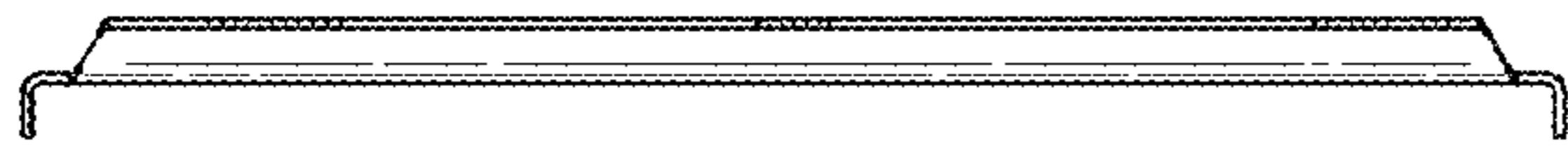


Fig. 4.

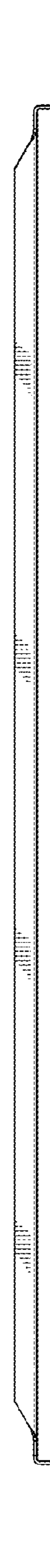


Fig. 5.