

US00D722026S

(12) **United States Design Patent**
Yokoyama

(10) **Patent No.:** **US D722,026 S**
(45) **Date of Patent:** **** Feb. 3, 2015**

(54) **ELECTRICAL CONNECTOR**

(71) Applicant: **Japan Aviation Electronics Industry, Limited**, Tokyo (JP)

(72) Inventor: **Yohei Yokoyama**, Tokyo (JP)

(73) Assignee: **Japan Aviation Electronics Industry, Limited**, Tokyo (JP)

(**) Term: **14 Years**

(21) Appl. No.: **29/488,749**

(22) Filed: **Apr. 23, 2014**

(30) **Foreign Application Priority Data**

Nov. 8, 2013 (JP) 2013-026101

(51) **LOC (10) Cl.** **13-03**

(52) **U.S. Cl.**
USPC **D13/147**

(58) **Field of Classification Search**
USPC D13/147, 154, 184, 199; 439/79, 108,
439/350, 353, 357, 378, 476.1, 489, 587,
439/594, 595, 598, 607.01, 607.04, 607.05,
439/607.17, 607.25, 607.34, 607.41,
439/607.53, 656, 660, 668, 680, 711, 745,
439/752

See application file for complete search history.

(56) **References Cited**

U.S. PATENT DOCUMENTS

D578,071 S * 10/2008 Shen et al. D13/147
D601,505 S * 10/2009 Fukazawa et al. D13/147
D697,483 S * 1/2014 Ikari D13/147
D703,615 S * 4/2014 Takenaga et al. D13/147

FOREIGN PATENT DOCUMENTS

JP D1480722 S 9/2013

* cited by examiner

Primary Examiner — Daniel Bui

(74) *Attorney, Agent, or Firm* — Cermak Nakajima & McGowan LLP; Tomoko Nakajima

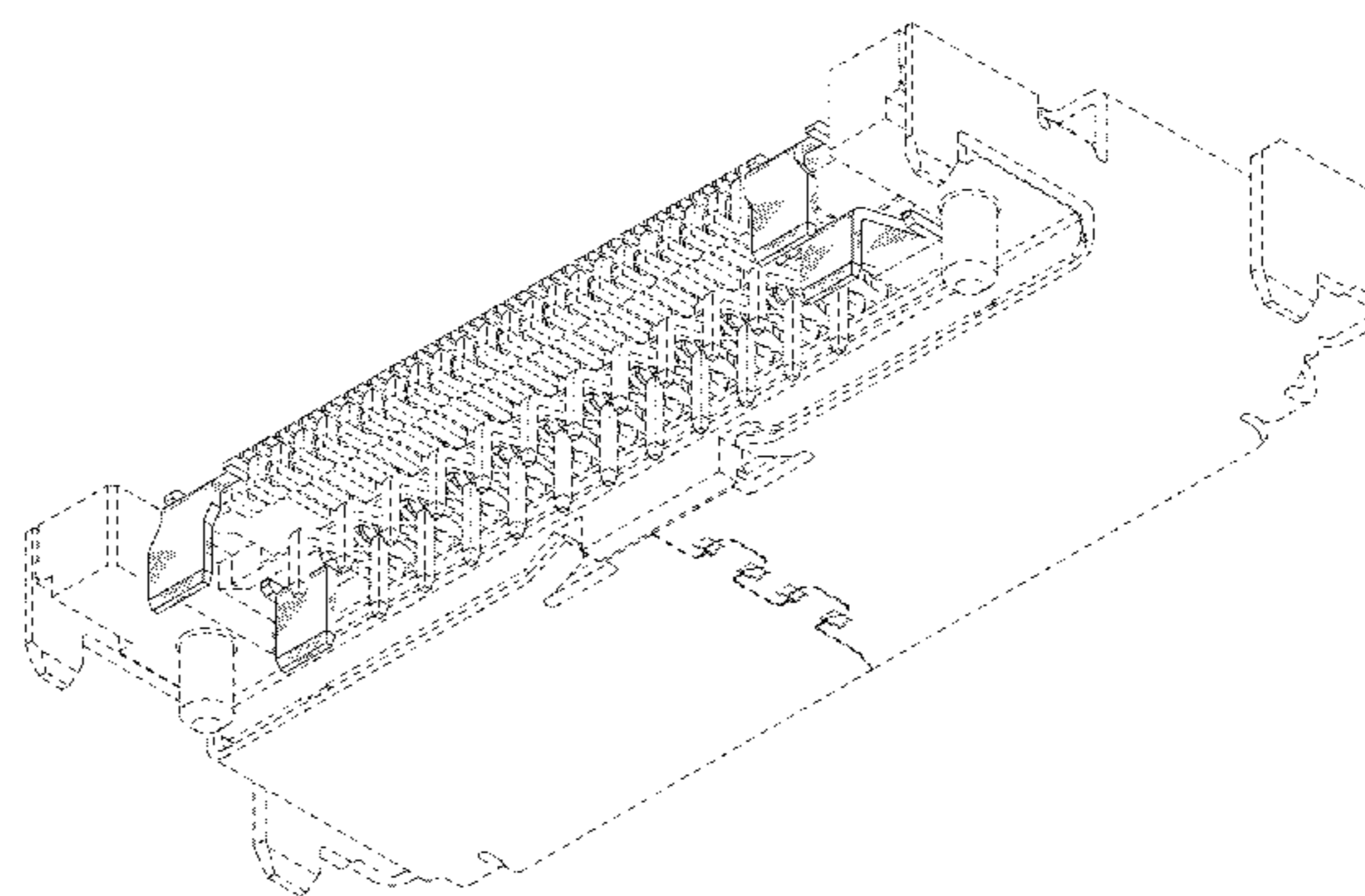
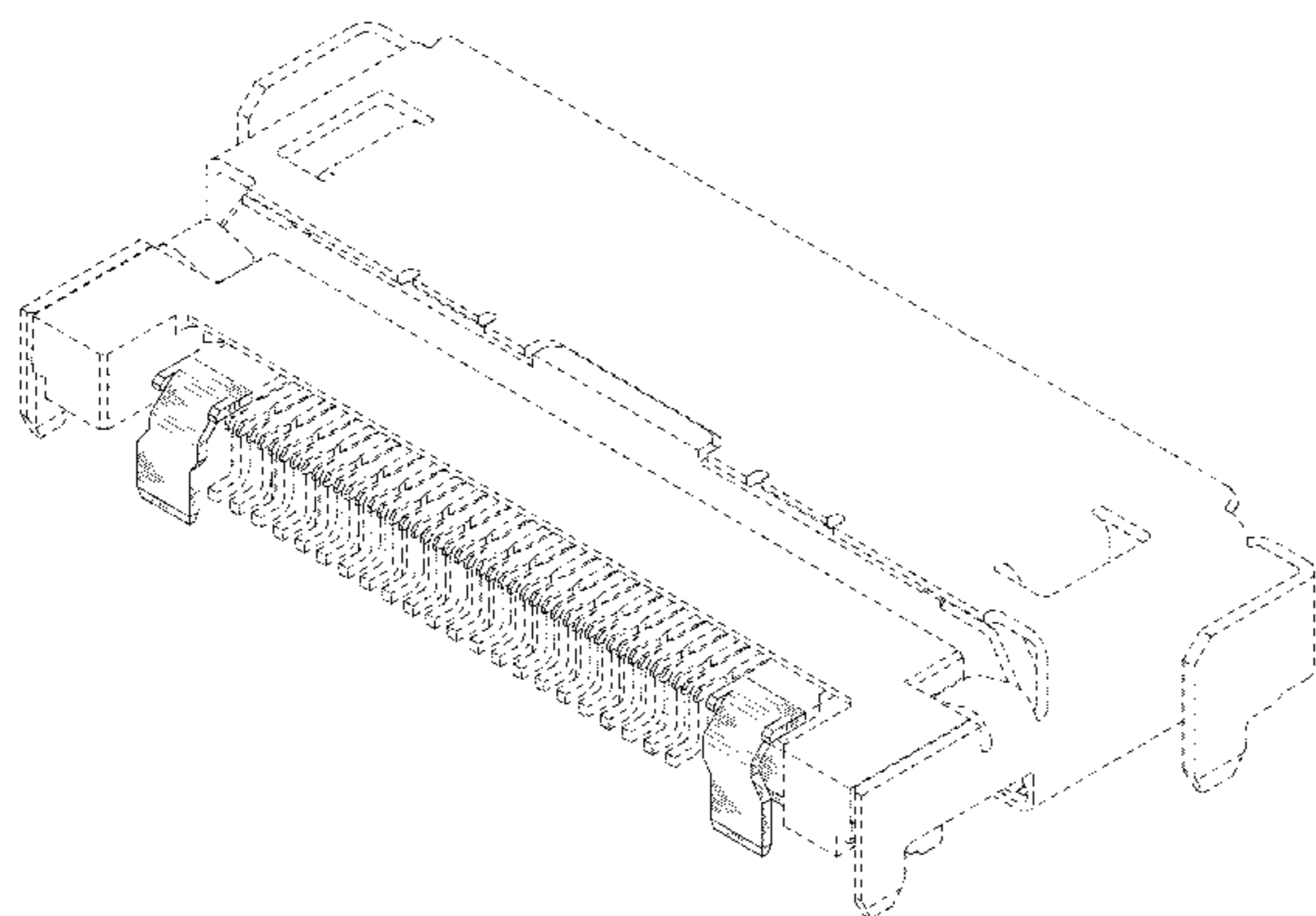
(57) **CLAIM**

The ornamental design for an electrical connector, as shown and described.

DESCRIPTION

FIG. 1 is a top plan view of an electrical connector showing my new design;
FIG. 2 is a right side elevational view thereof;
FIG. 3 is a left side elevational view thereof;
FIG. 4 is a rear elevational view thereof; and
FIG. 5 is a bottom plan view thereof.
FIG. 6 is a rear and top perspective view thereof;
FIG. 7 is a front and bottom perspective view thereof; and,
FIG. 8 is a rear and bottom perspective view thereof.
The broken line in the figure drawings is included for the purpose of illustrating environment and forms no part of the claimed design. The dash-dot line represents the boundary of the claimed design.

1 Claim, 8 Drawing Sheets



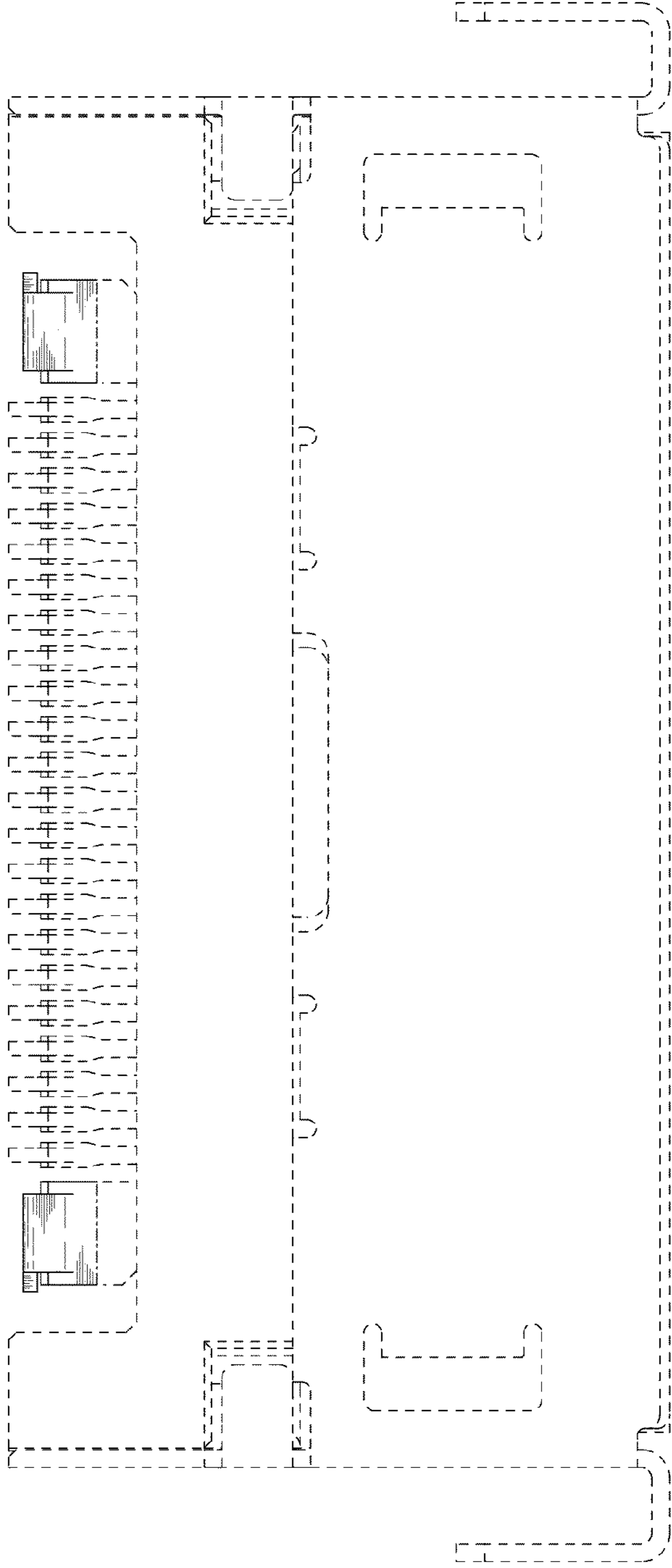


FIG.1

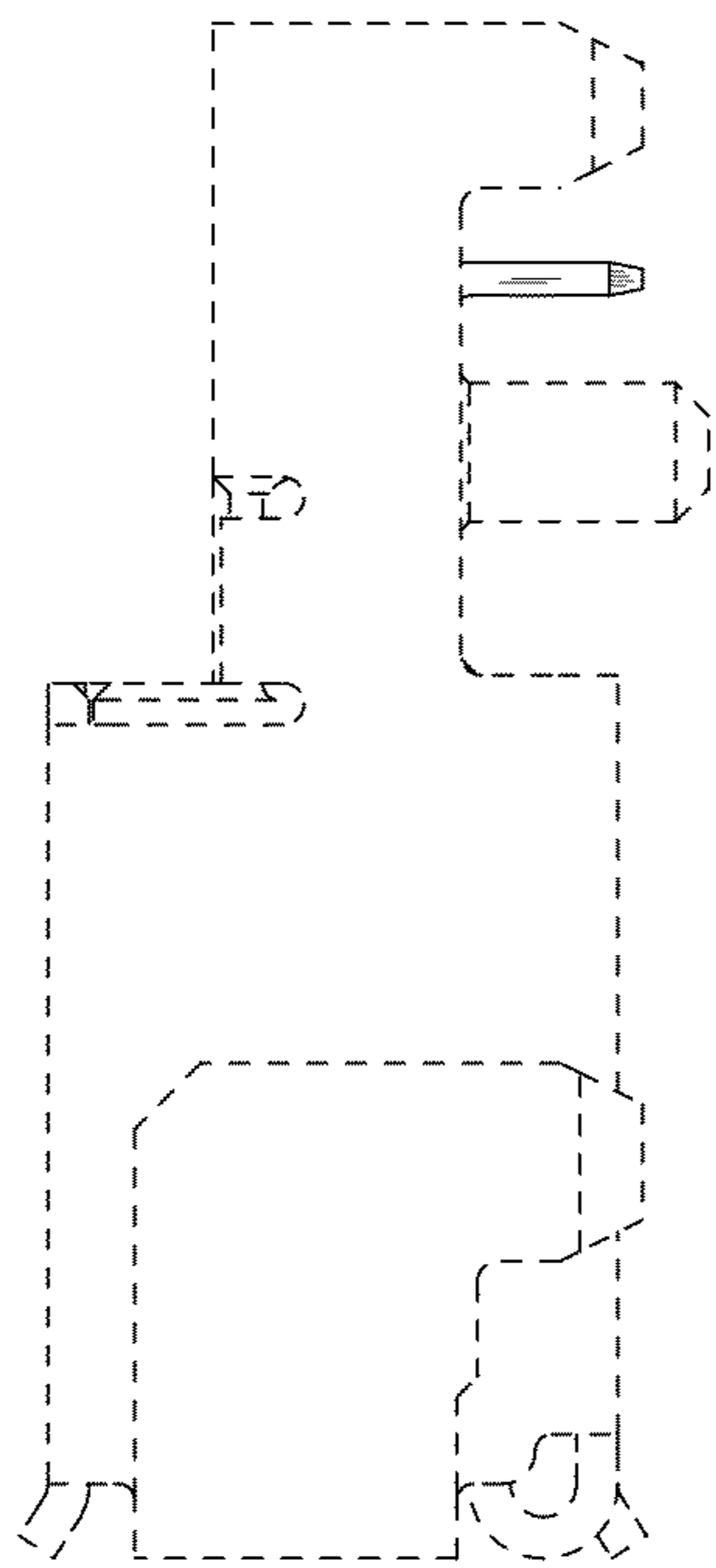


FIG. 2

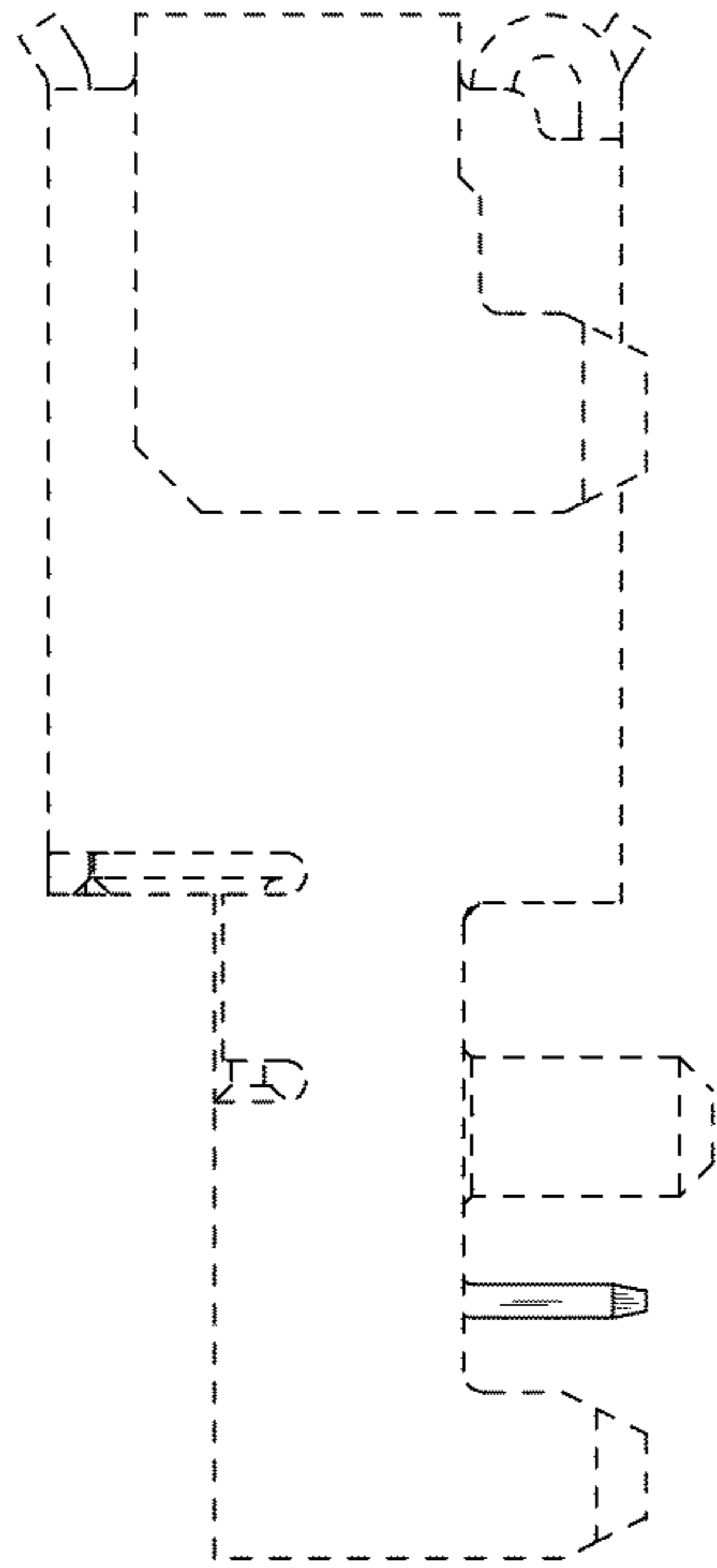


FIG.3

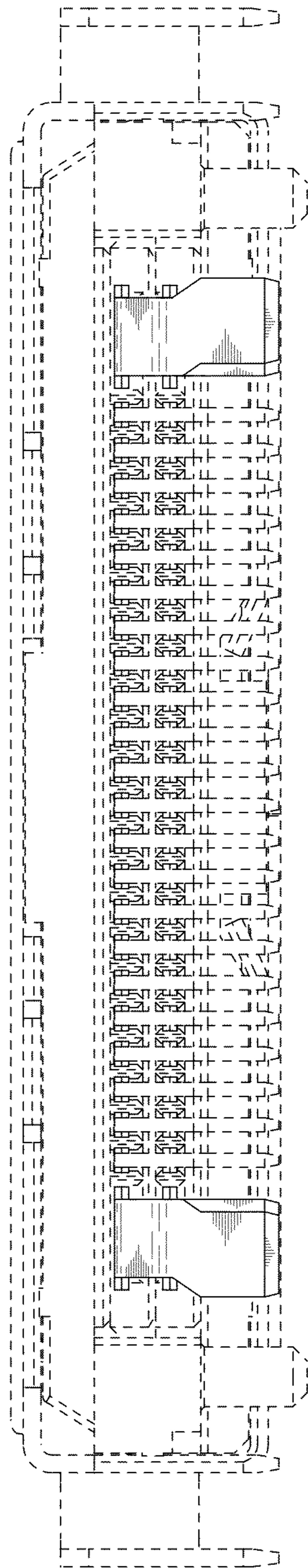


FIG.4

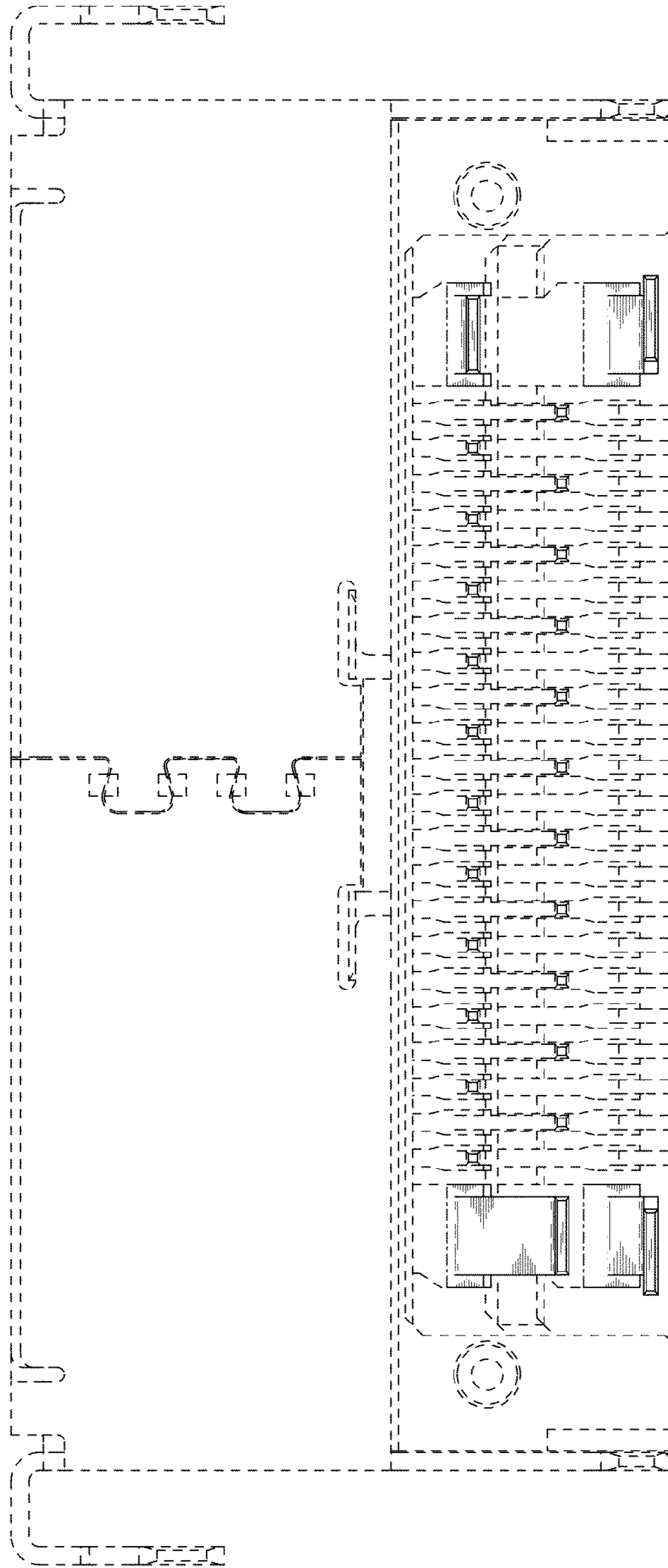


FIG.5

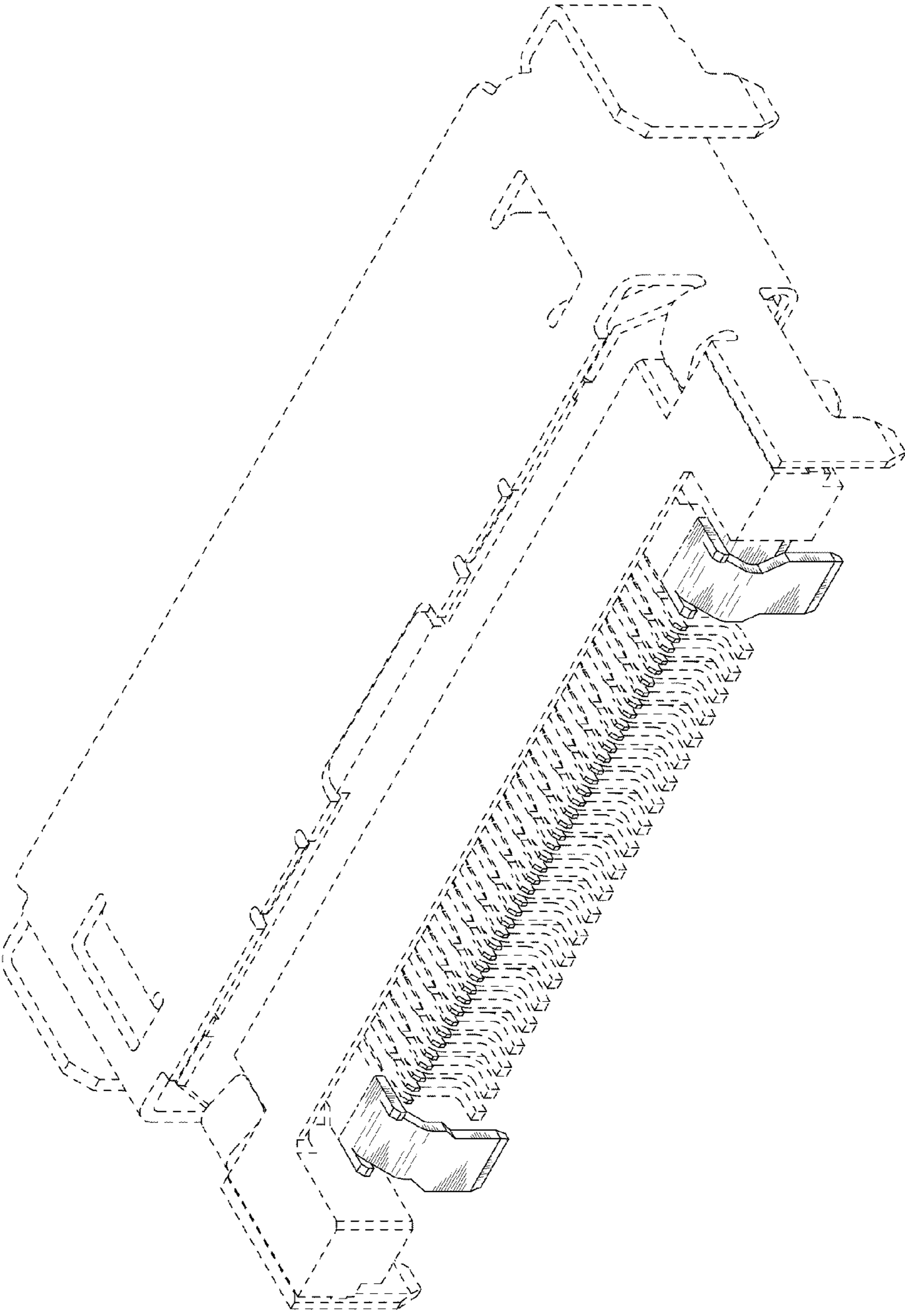


FIG.6

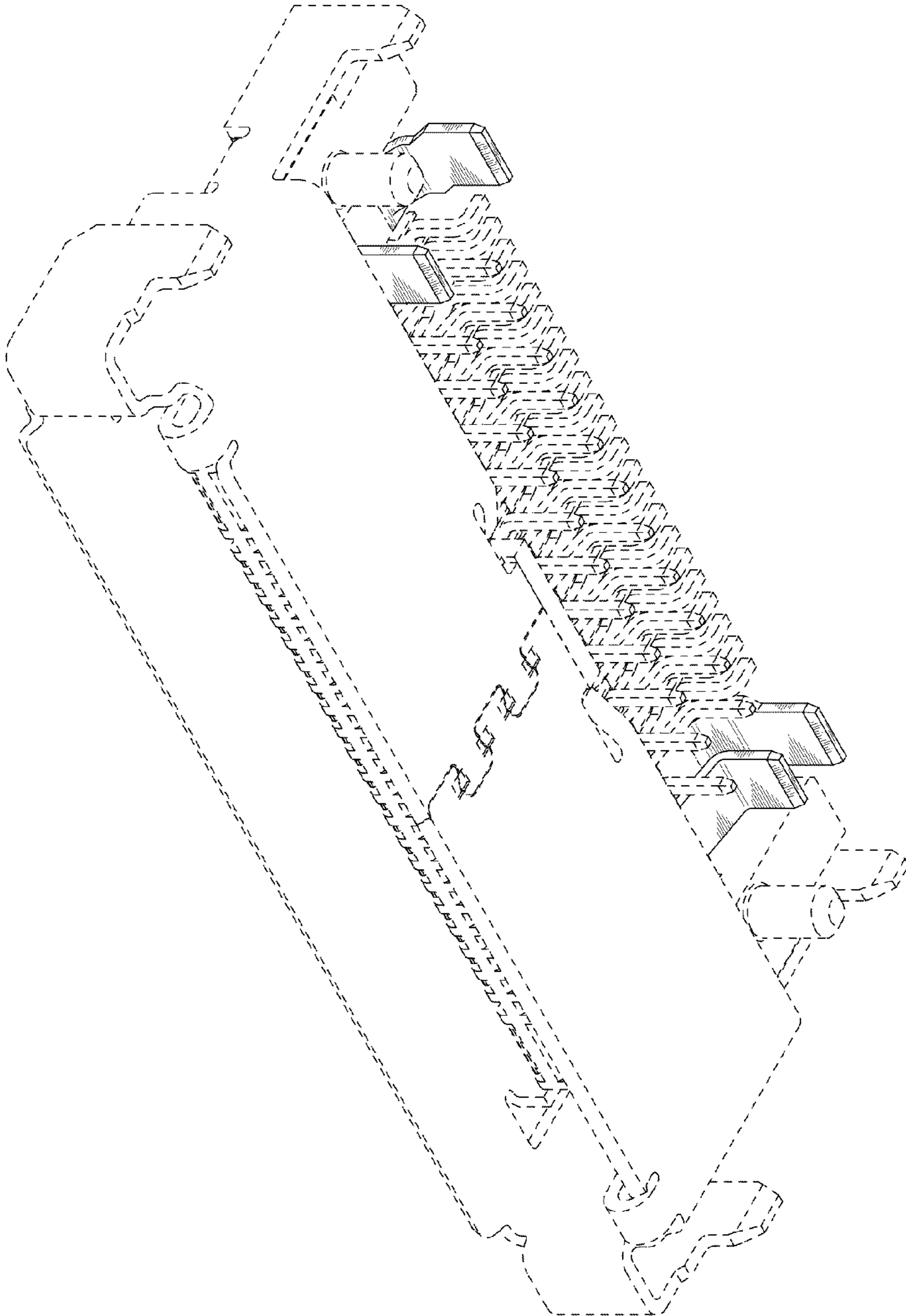


FIG.7

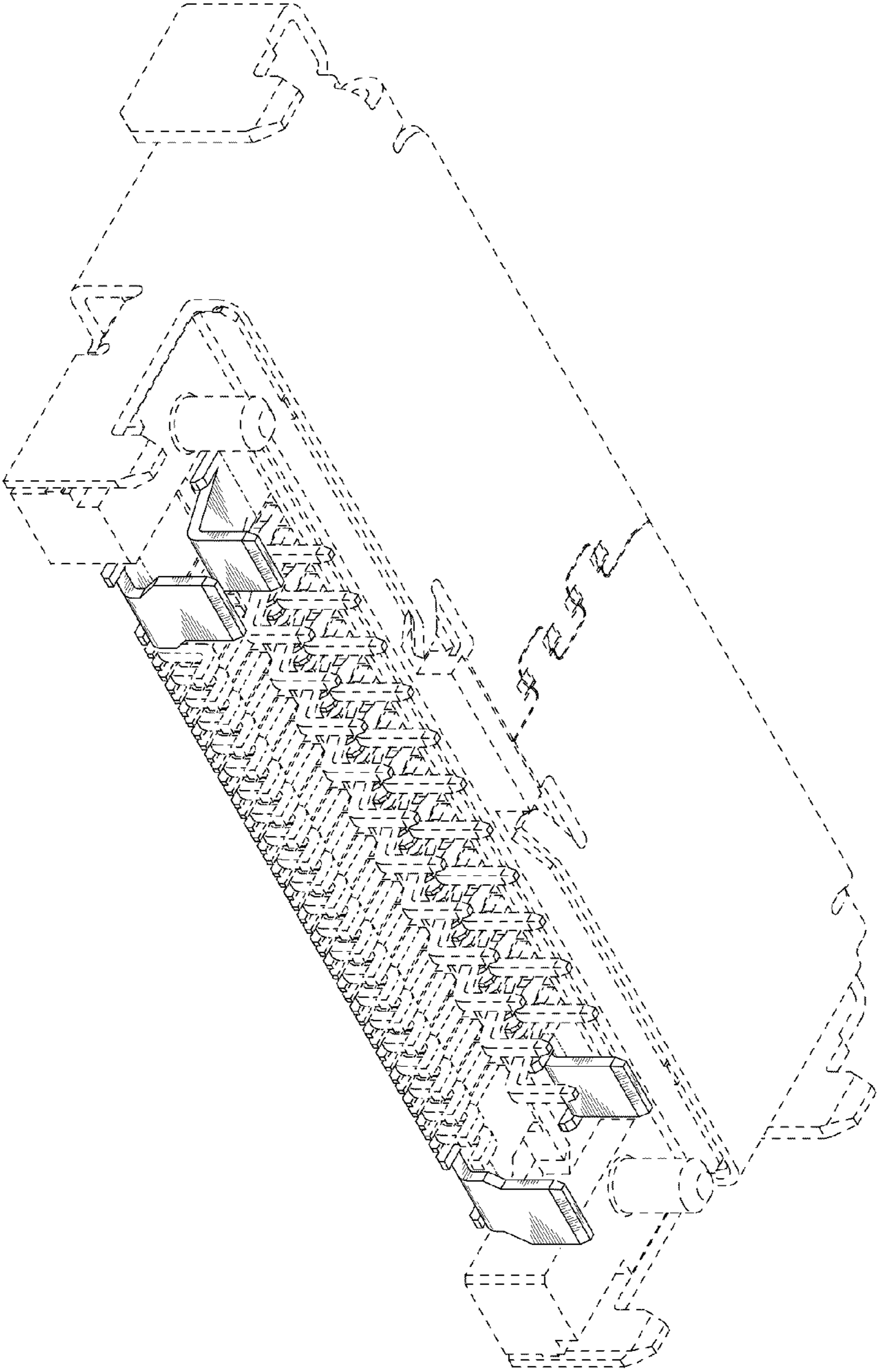


FIG.8