



US00D722025S

(12) **United States Design Patent**
Smith

(10) **Patent No.:** **US D722,025 S**
(45) **Date of Patent:** **** Feb. 3, 2015**

(54) **MALE POWER CONNECTOR HOUSING**

(71) Applicant: **Ideal Industries, Inc.**, Sycamore, IL (US)

(72) Inventor: **Nathan T. Smith**, Worcester, MA (US)

(73) Assignee: **IDEAL Industries, Inc.**, Sycamore, IL (US)

(**) Term: **14 Years**

(21) Appl. No.: **29/481,110**

(22) Filed: **Jan. 31, 2014**

(51) **LOC (10) Cl.** **13-03**

(52) **U.S. Cl.**
USPC **D13/147**

(58) **Field of Classification Search**
USPC D13/147, 154, 184, 199
See application file for complete search history.

(56) **References Cited**

U.S. PATENT DOCUMENTS

D188,419 S * 7/1960 Danesi D13/146
D251,491 S * 4/1979 Snyder et al. D13/146

(Continued)

Primary Examiner — Daniel Bui

(74) *Attorney, Agent, or Firm* — Greenberg Traurig, LLP

(57) **CLAIM**

The ornamental design for a male power connector housing, as shown and described.

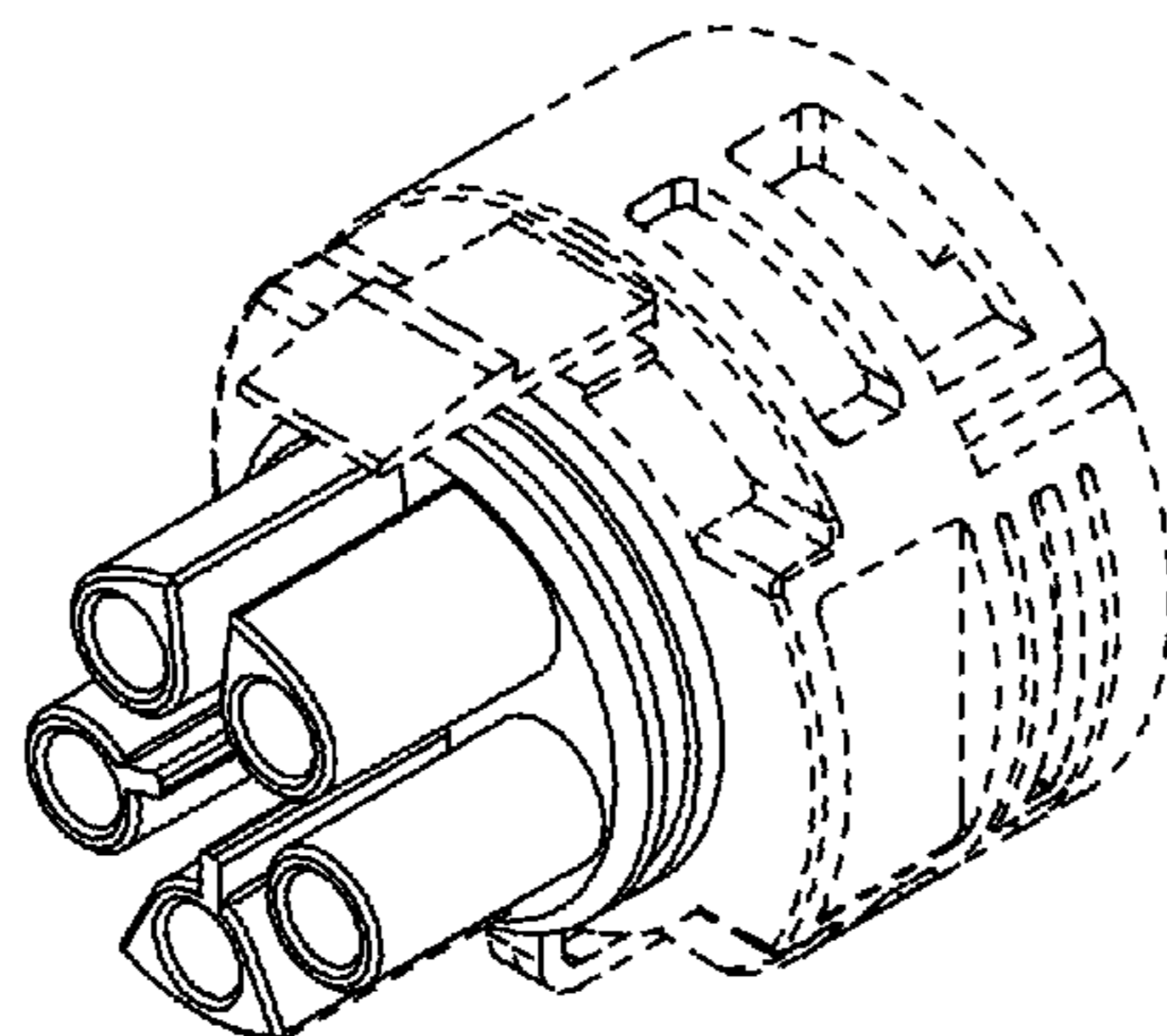
DESCRIPTION

FIG. 1 is a front perspective view of a first embodiment of a male power connector housing, showing my new design; FIG. 2 is a rear perspective view thereof; FIG. 3 is a front elevation view thereof; FIG. 4 is a rear elevation view thereof; FIG. 5 is a top plan view thereof; FIG. 6 is a bottom plan view thereof; FIG. 7 is a left side elevation view thereof; and FIG. 8 is a right side elevation view thereof;

FIG. 9 is a front perspective view of a second embodiment of a male power connector housing, showing my new design; FIG. 10 is a rear perspective view thereof; FIG. 11 is a front elevation view thereof; FIG. 12 is a top plan view thereof; FIG. 13 is a left side elevation view thereof; and FIG. 14 is a right side elevation view thereof; FIG. 15 is a front perspective view of a third embodiment of a male power connector housing, showing my new design; FIG. 16 is a rear perspective view thereof; FIG. 17 is a front elevation view thereof; FIG. 18 is a top plan view thereof; FIG. 19 is a left side elevation view thereof; and FIG. 20 is a right side elevation view thereof; FIG. 21 is a front perspective view of a fourth embodiment of a male power connector housing, showing my new design; FIG. 22 is a rear perspective view thereof; FIG. 23 is a front elevation view thereof; FIG. 24 is a top plan view thereof; FIG. 25 is a left side elevation view thereof; and FIG. 26 is a right side elevation view thereof; FIG. 27 is a front perspective view of a fifth embodiment of a male power connector housing, showing my new design; FIG. 28 is a rear perspective view thereof; FIG. 29 is a front elevation view thereof; FIG. 30 is a top plan view thereof; FIG. 31 is a left side elevation view thereof; and FIG. 32 is a right side elevation view thereof; FIG. 33 is a front elevation view of a sixth embodiment of a male power connector housing, showing my new design; FIG. 34 is a front elevation view of a seventh embodiment of a male power connector housing, showing my new design; FIG. 35 is a front elevation view of an eighth embodiment of a male power connector housing, showing my new design; FIG. 36 is a front elevation view of a ninth embodiment of a male power connector housing, showing my new design; FIG. 37 is a front elevation view of a tenth embodiment of a male power connector housing, showing my new design; and FIG. 38 is a front elevation view of an eleventh embodiment of a male power connector housing, showing my new design. The rear elevation view, the top plan view, the bottom plan view, the left side elevation view, and the right side elevation view of embodiments 6, 7, 8, 9, 10 and 11 are the same as that of in embodiment 1, with only difference of the location of 2 small tabs as shown in each embodiment's front elevation view.

The broken line in the drawing view represent unclaimed environment only and forms no part of the claimed design.

1 Claim, 38 Drawing Sheets



(56)

References Cited

U.S. PATENT DOCUMENTS

D472,523 S * 4/2003 Hansen D13/146
D478,549 S * 8/2003 Porzelt D13/146

D560,610 S * 1/2008 McCoy D13/146
D639,743 S * 6/2011 Smith et al. D13/146
D639,744 S * 6/2011 Smith et al. D13/146
D702,189 S * 4/2014 Kagelmacher et al. D13/146

* cited by examiner

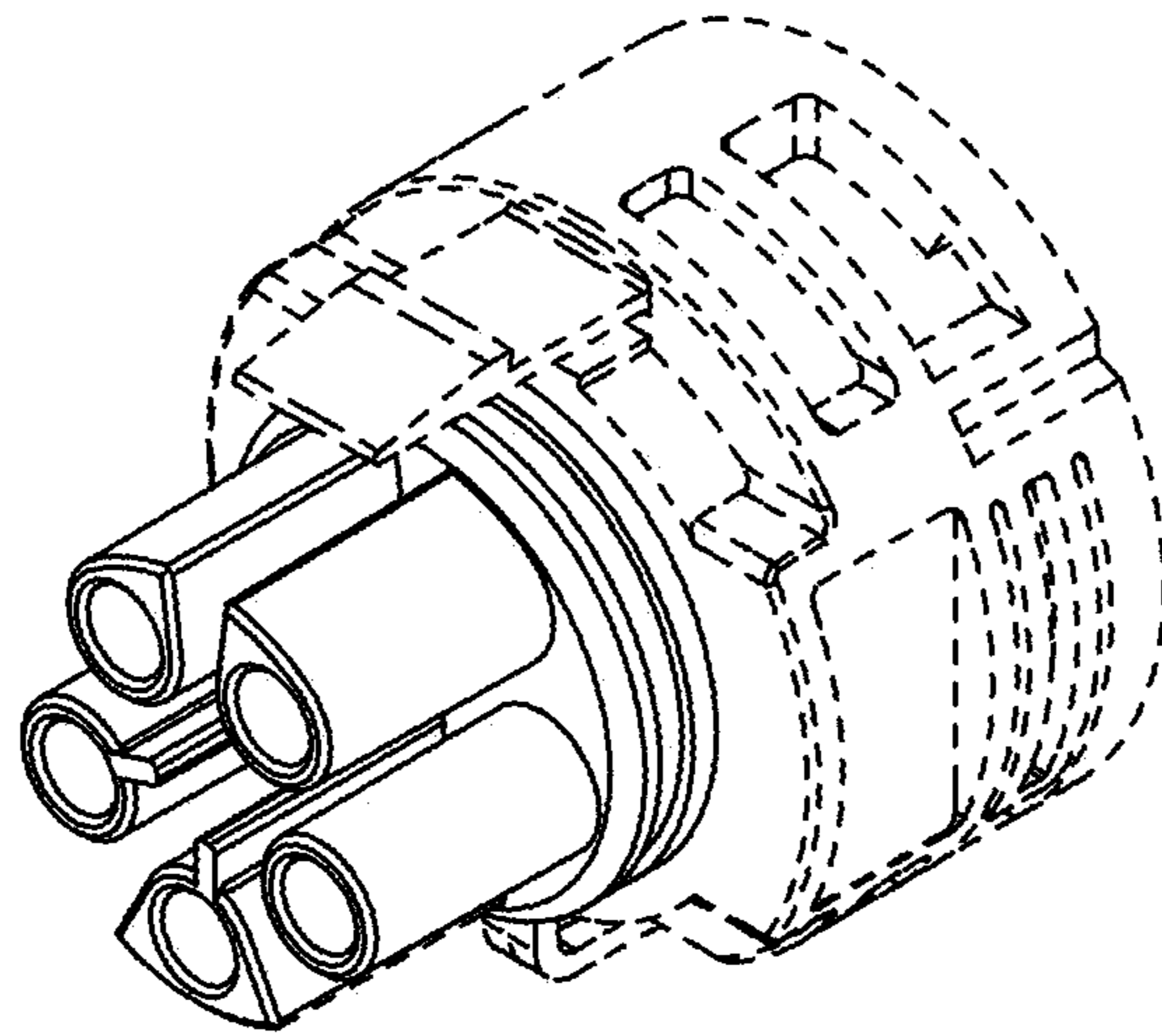


FIG. 1

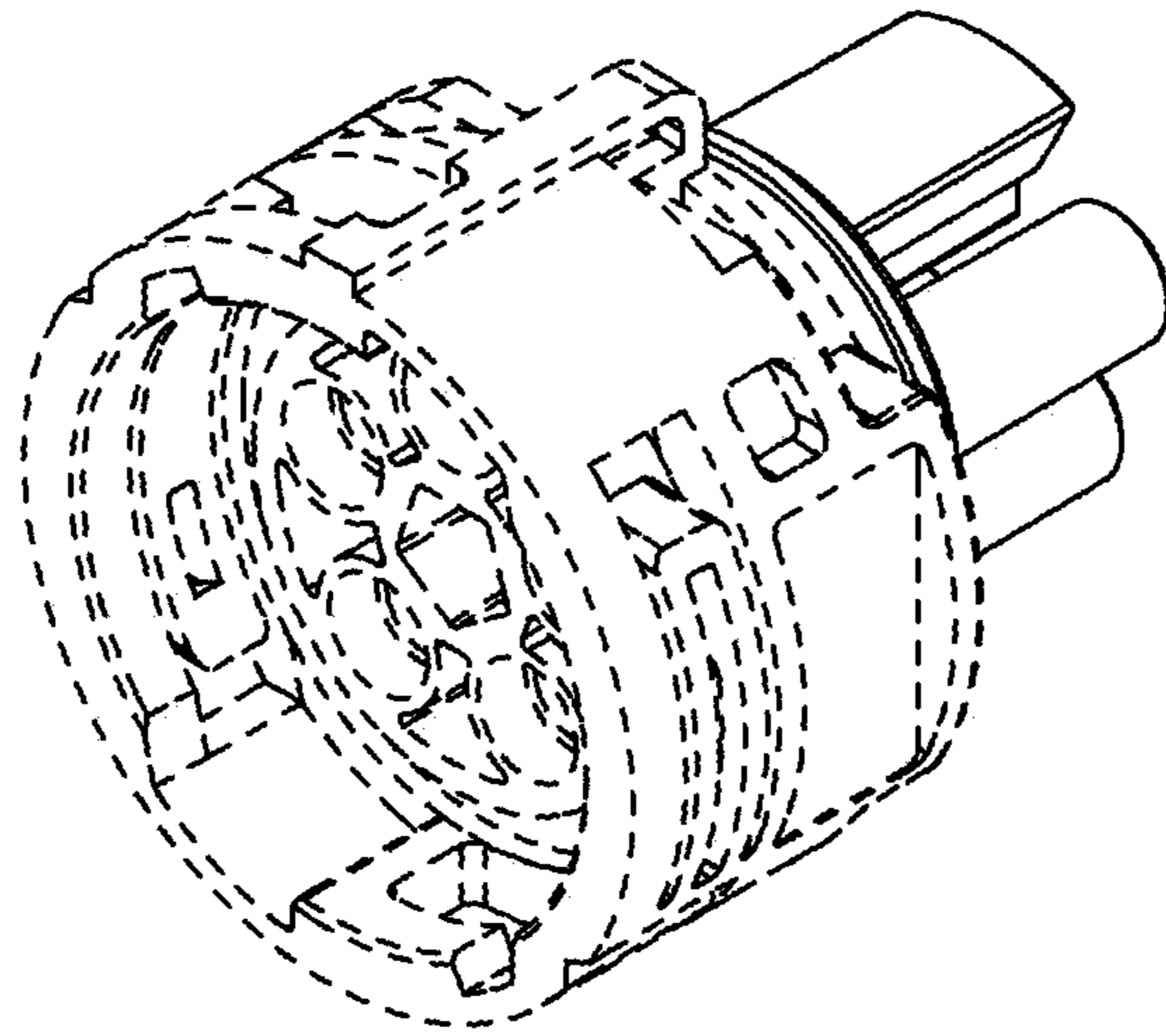


FIG. 2

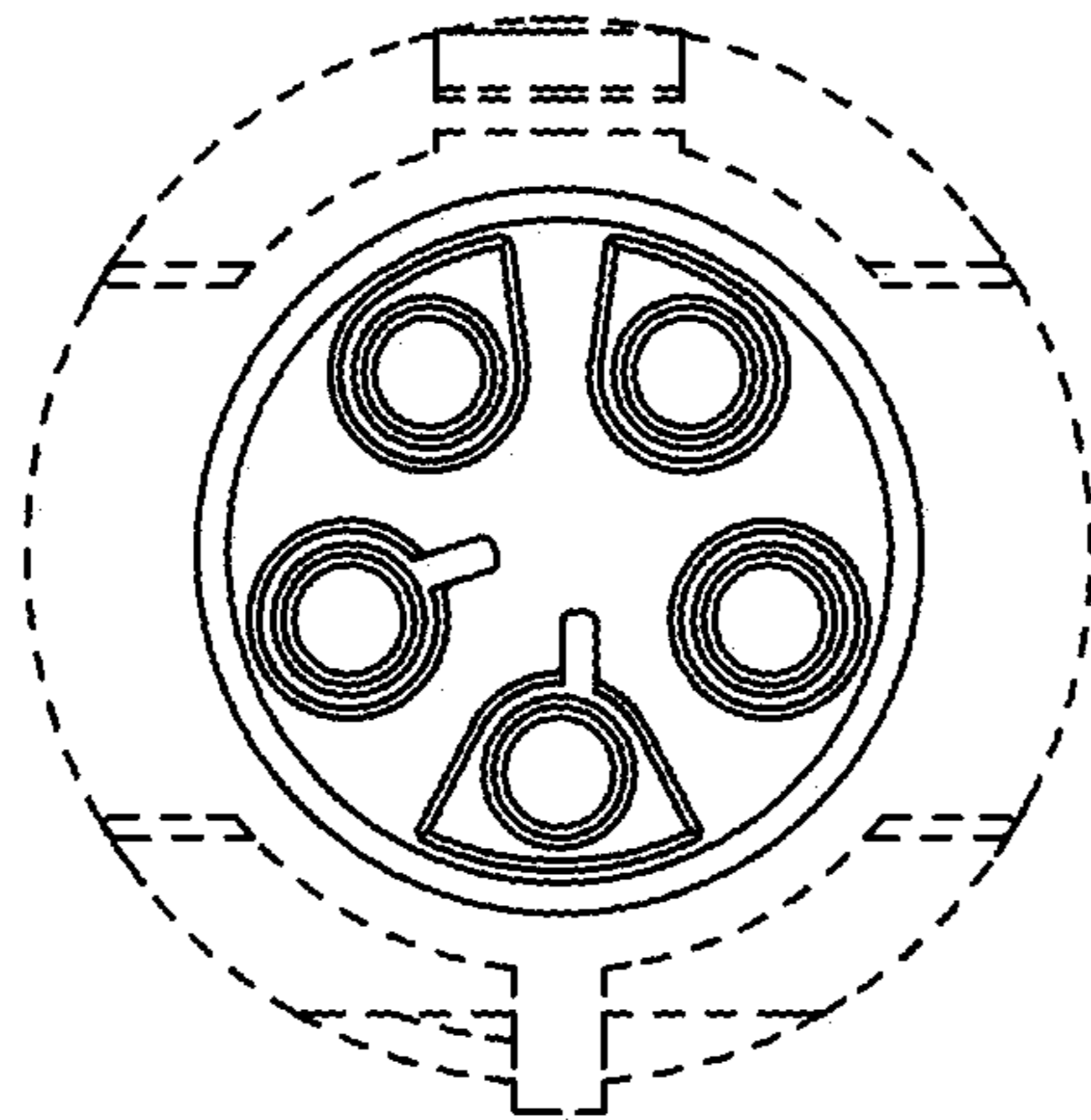


FIG. 3

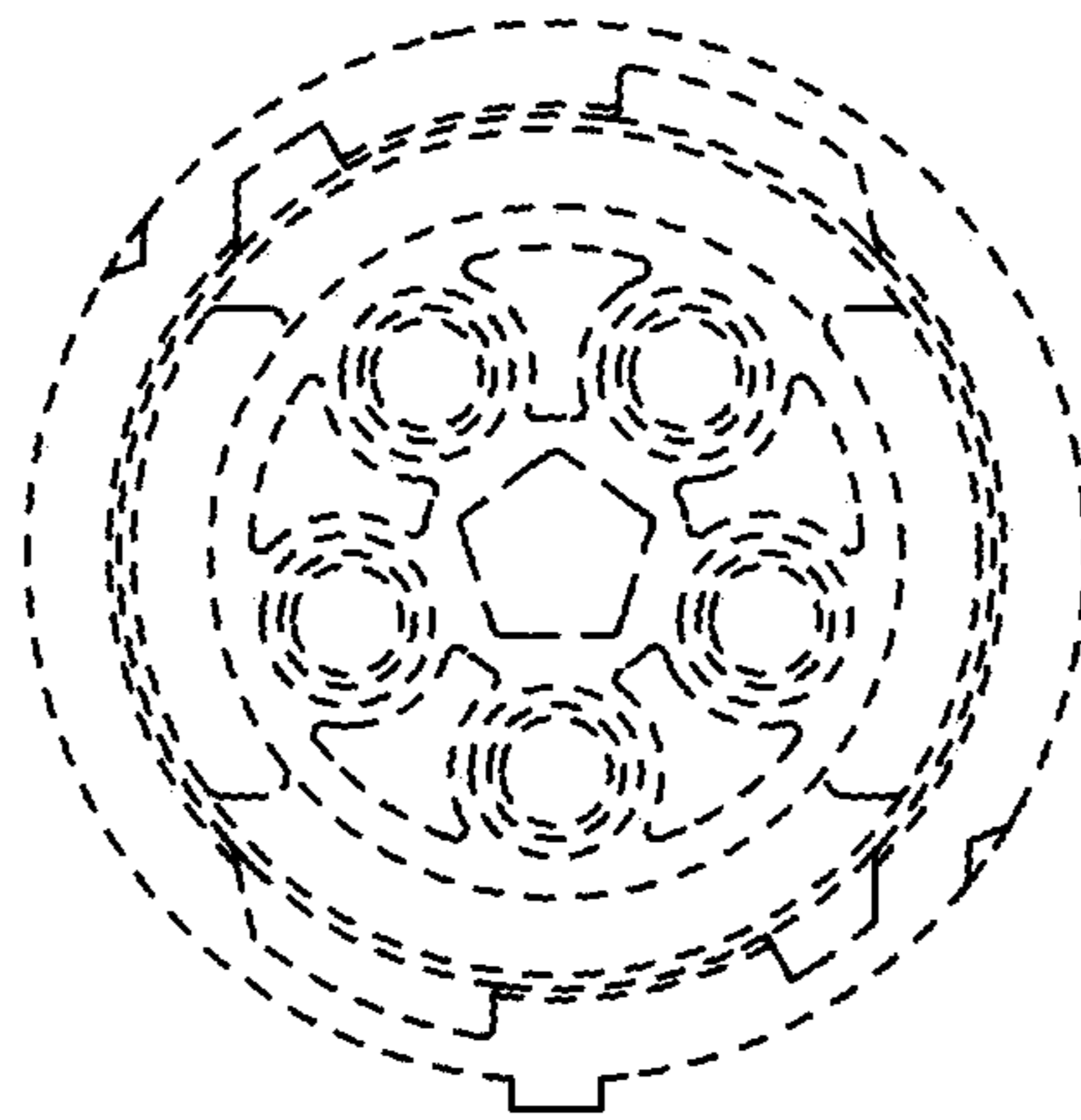


FIG. 4

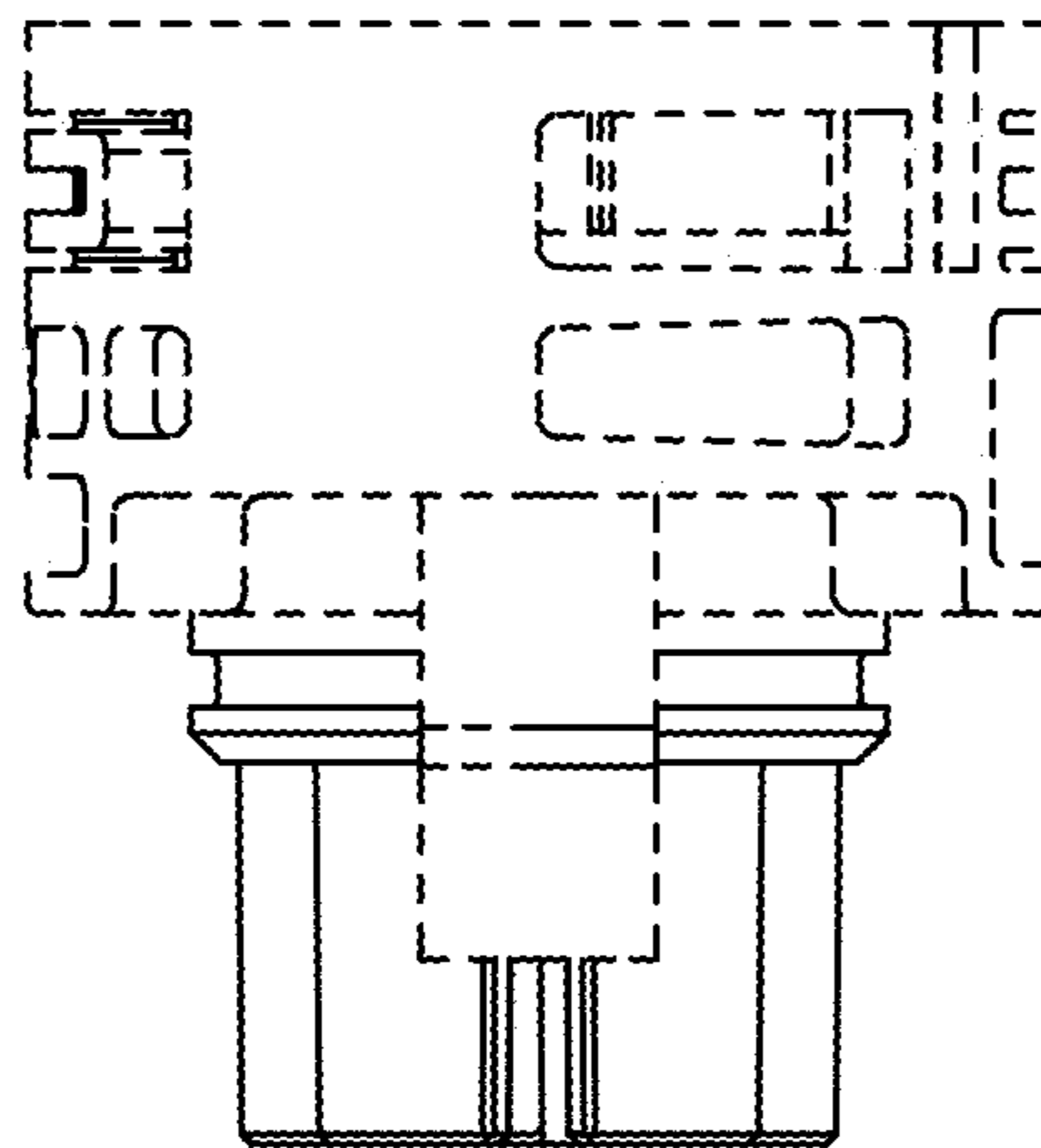


FIG. 5

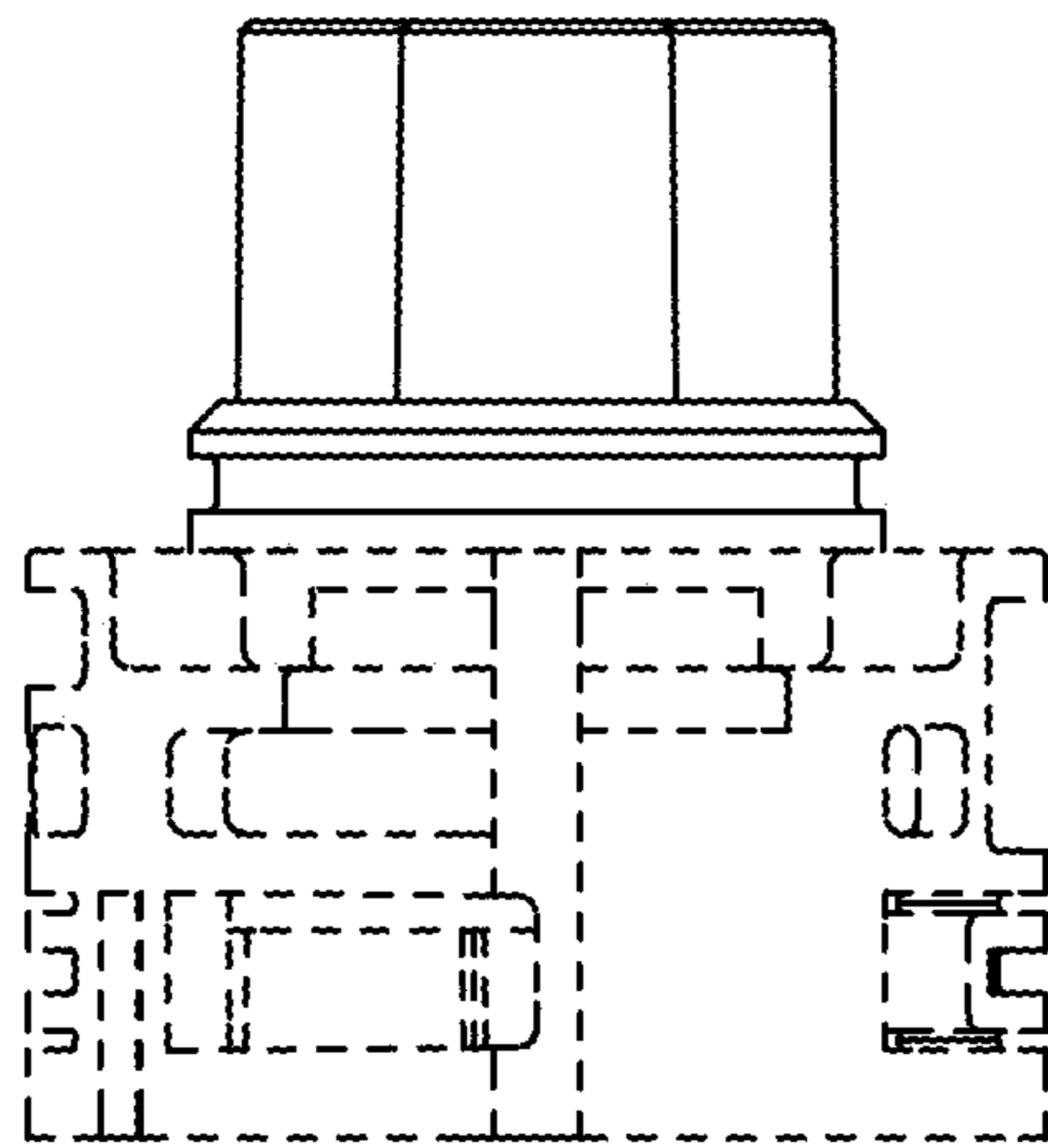


FIG. 6

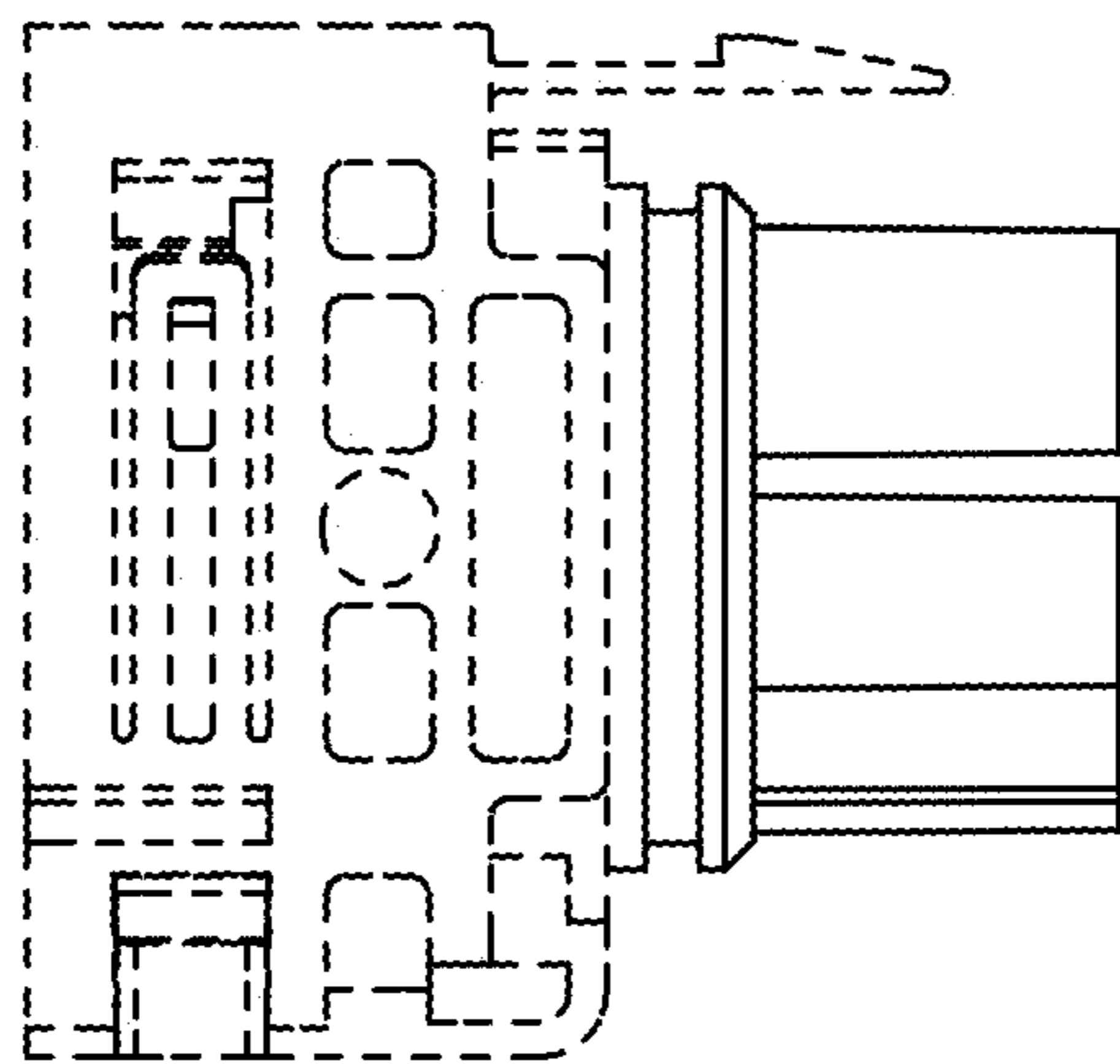


FIG. 7

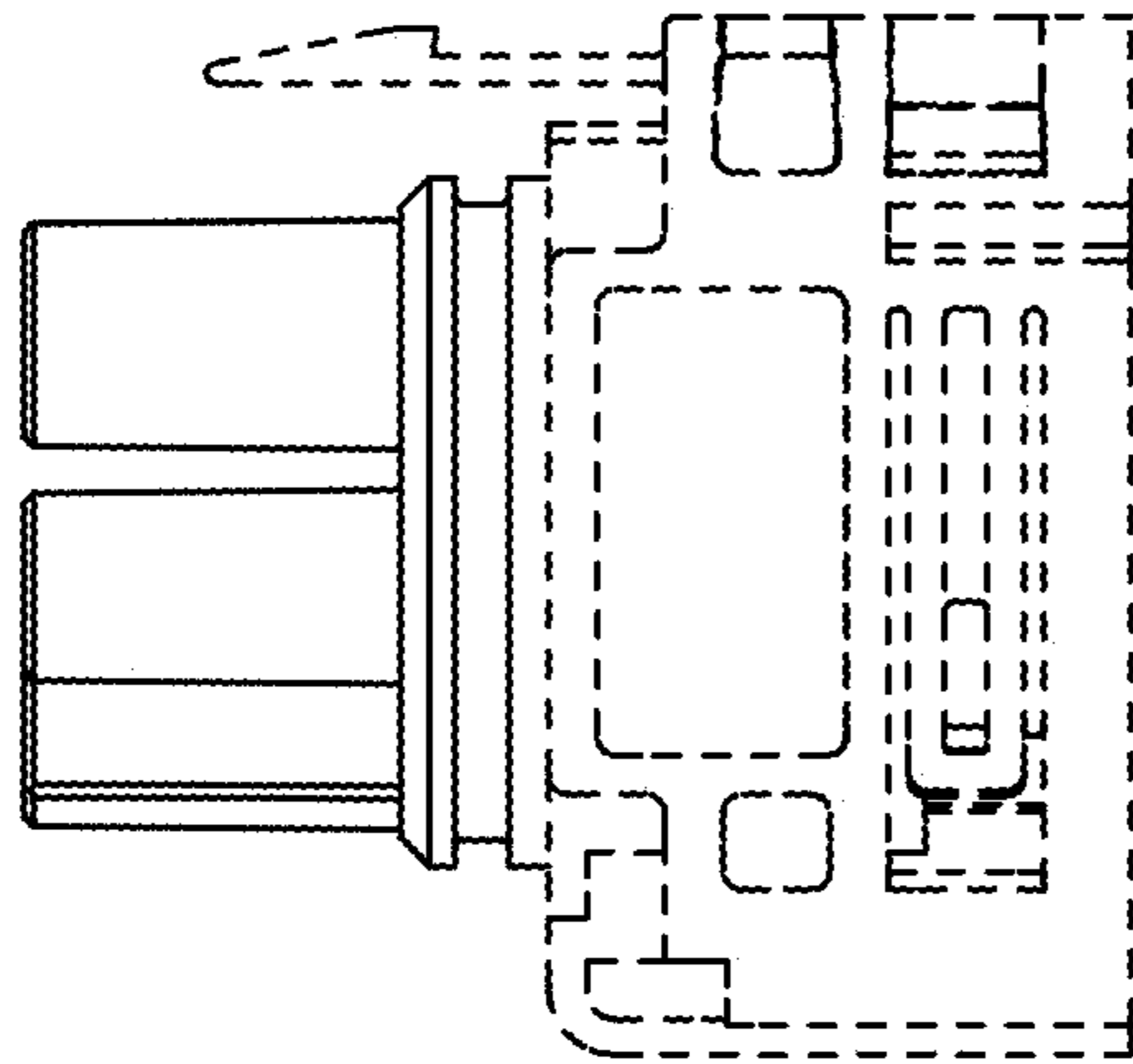


FIG. 8

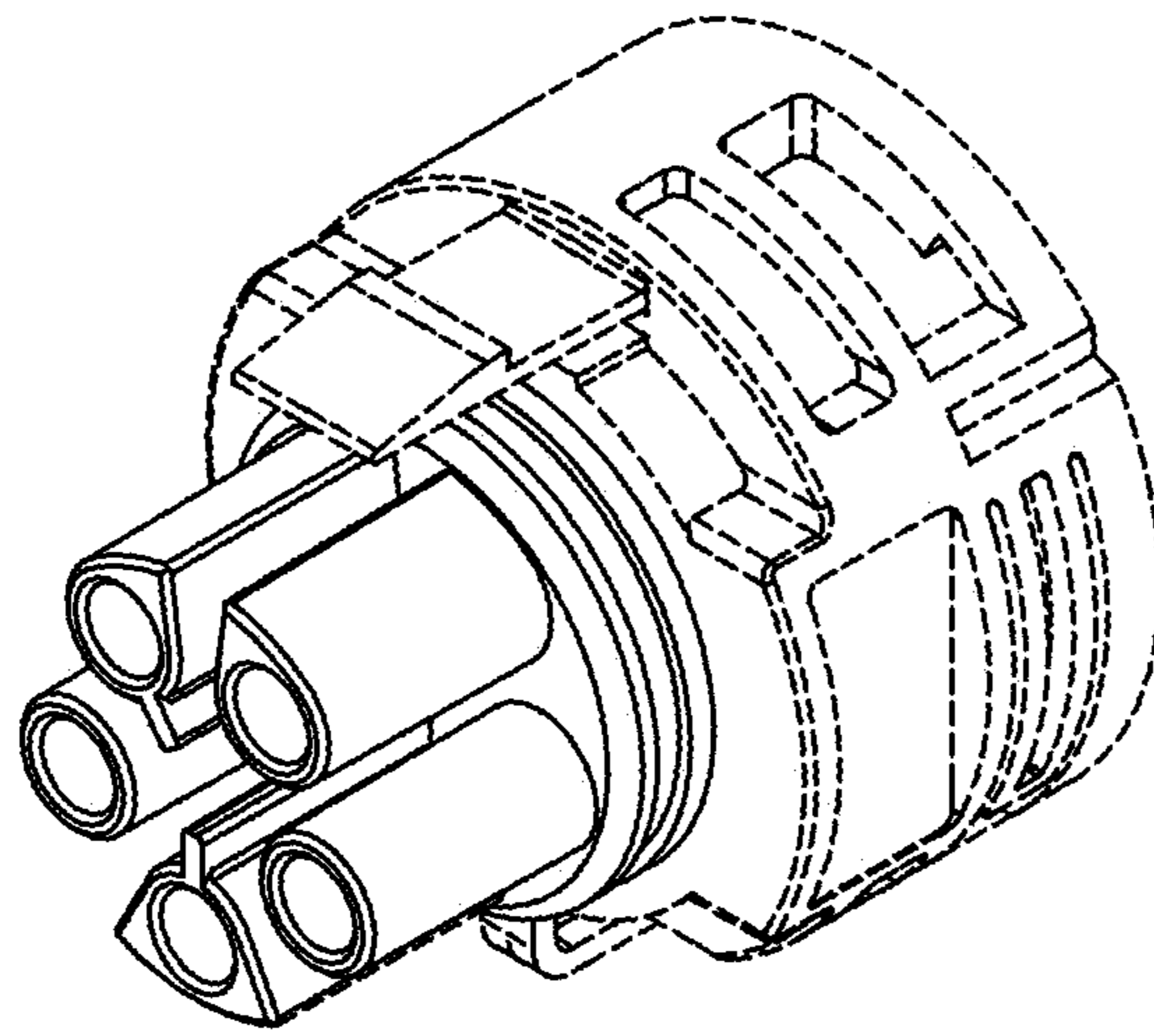


FIG. 9

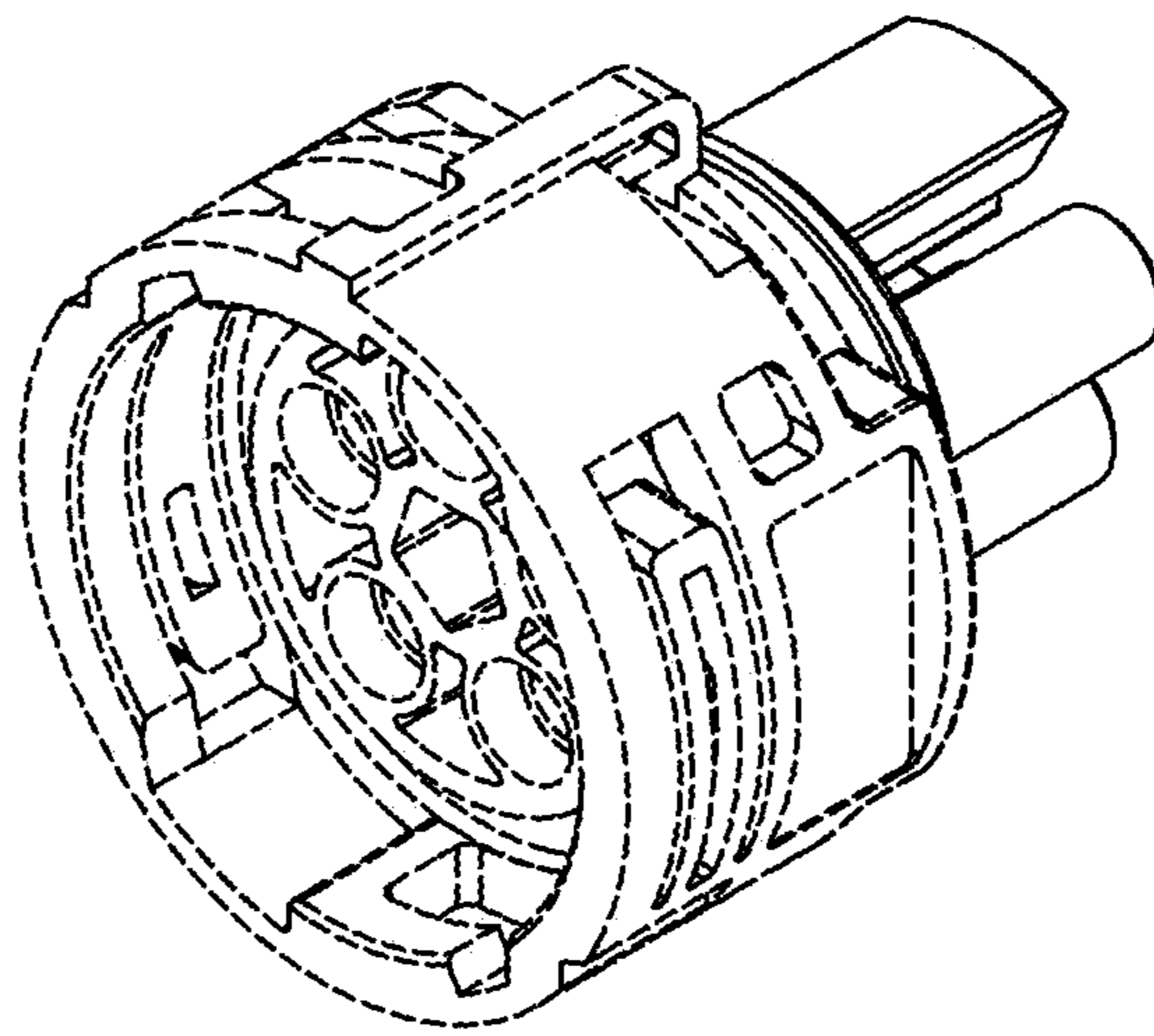


FIG. 10

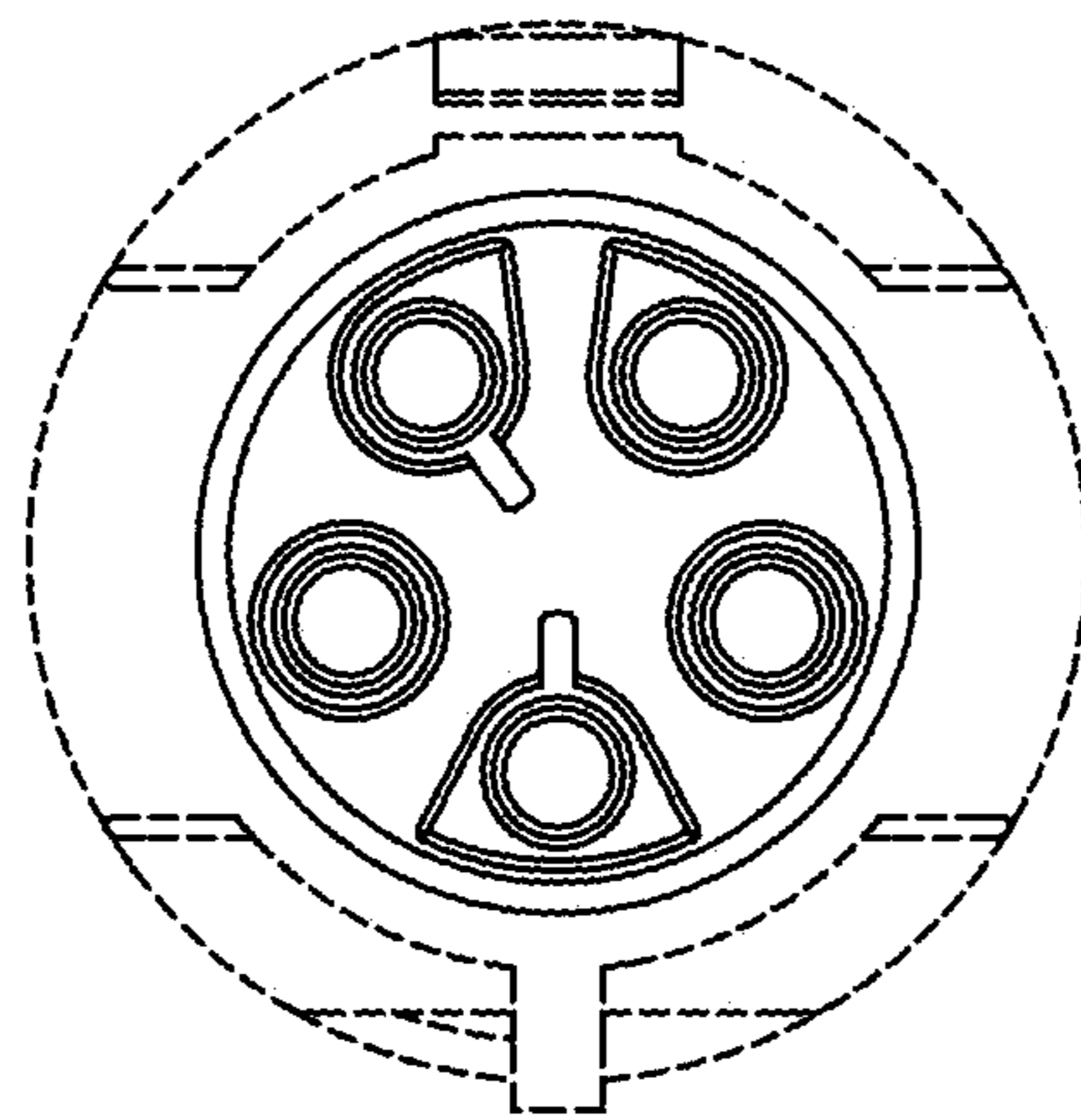


FIG. 11

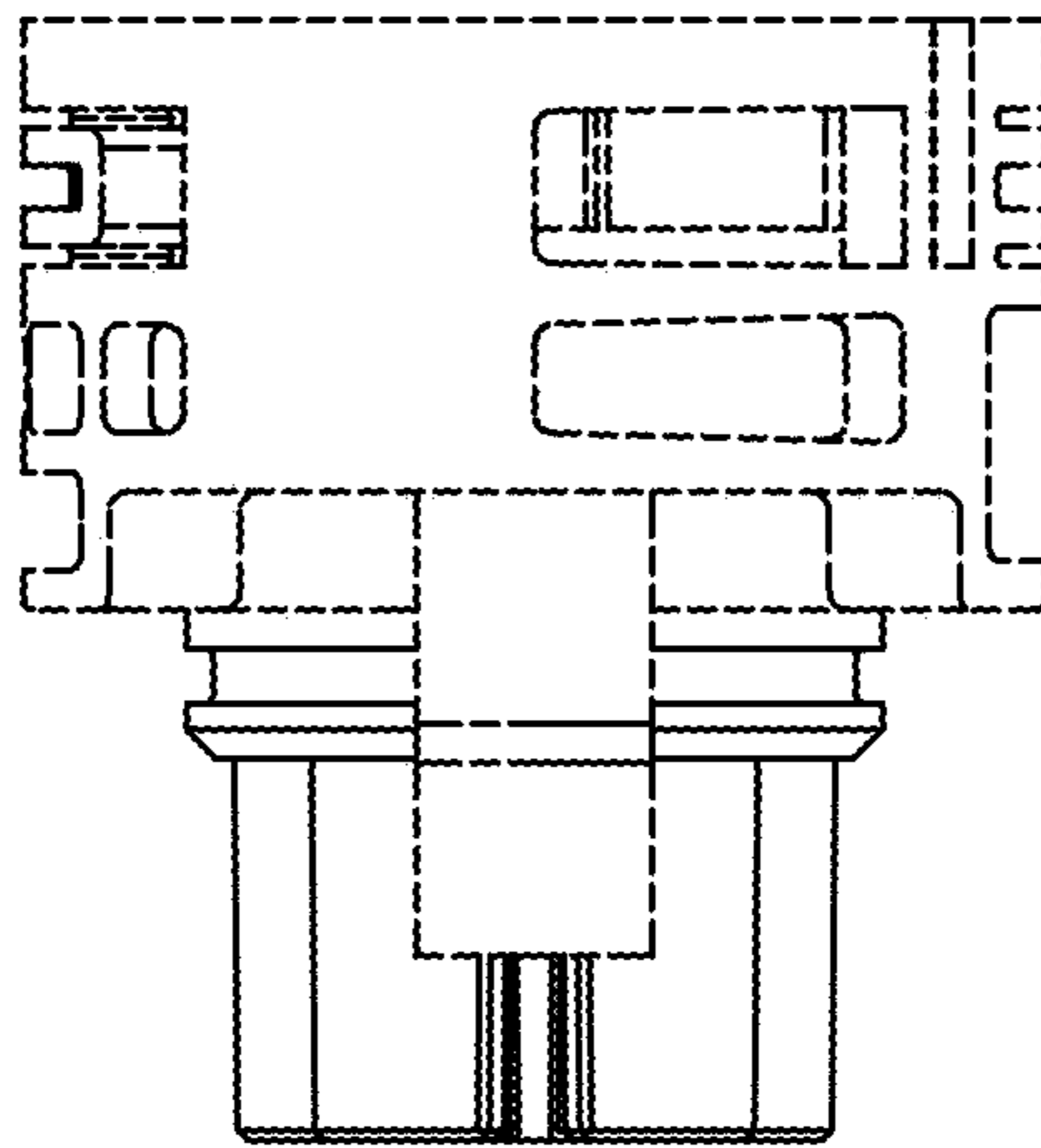


FIG. 12

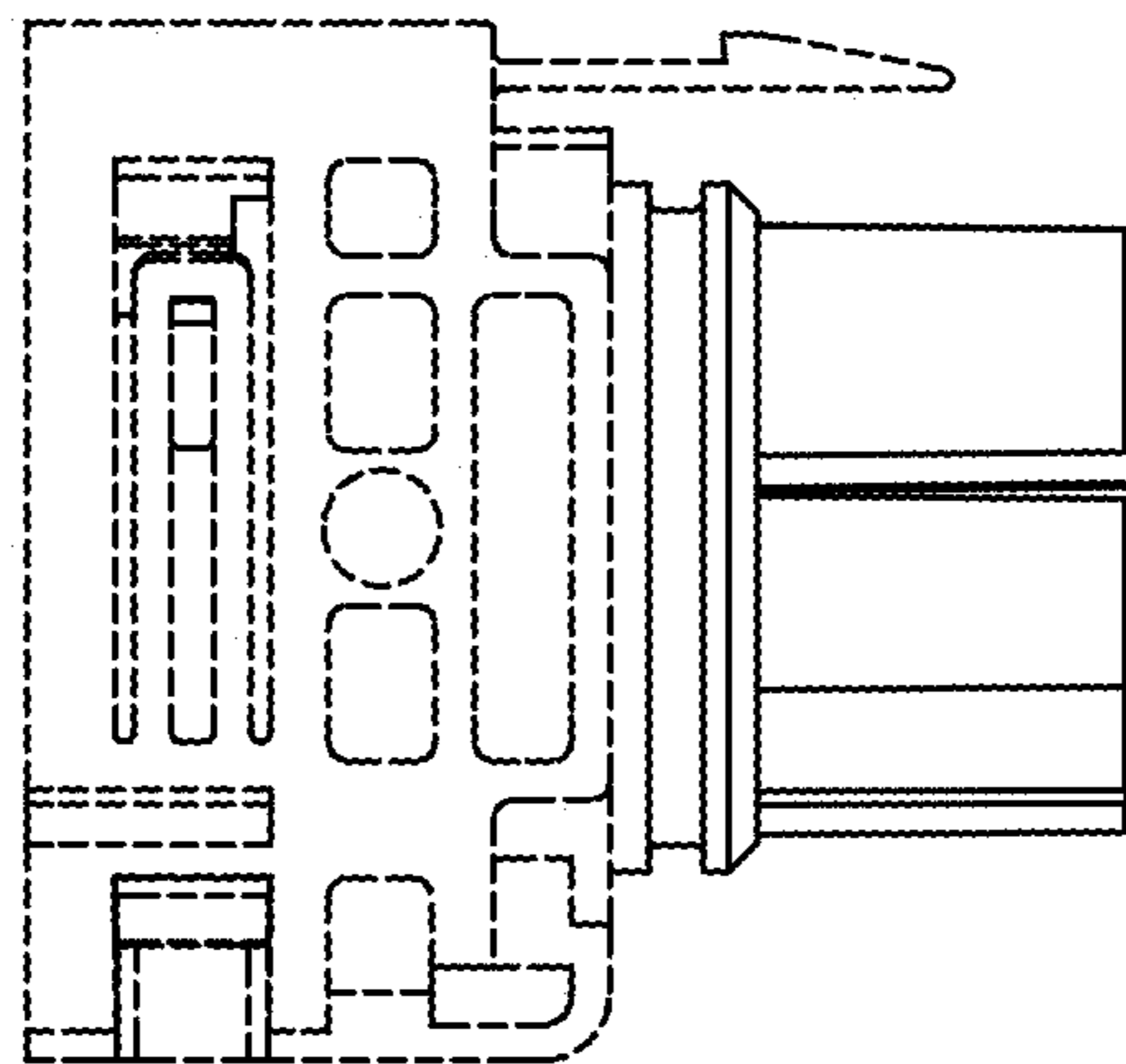


FIG. 13

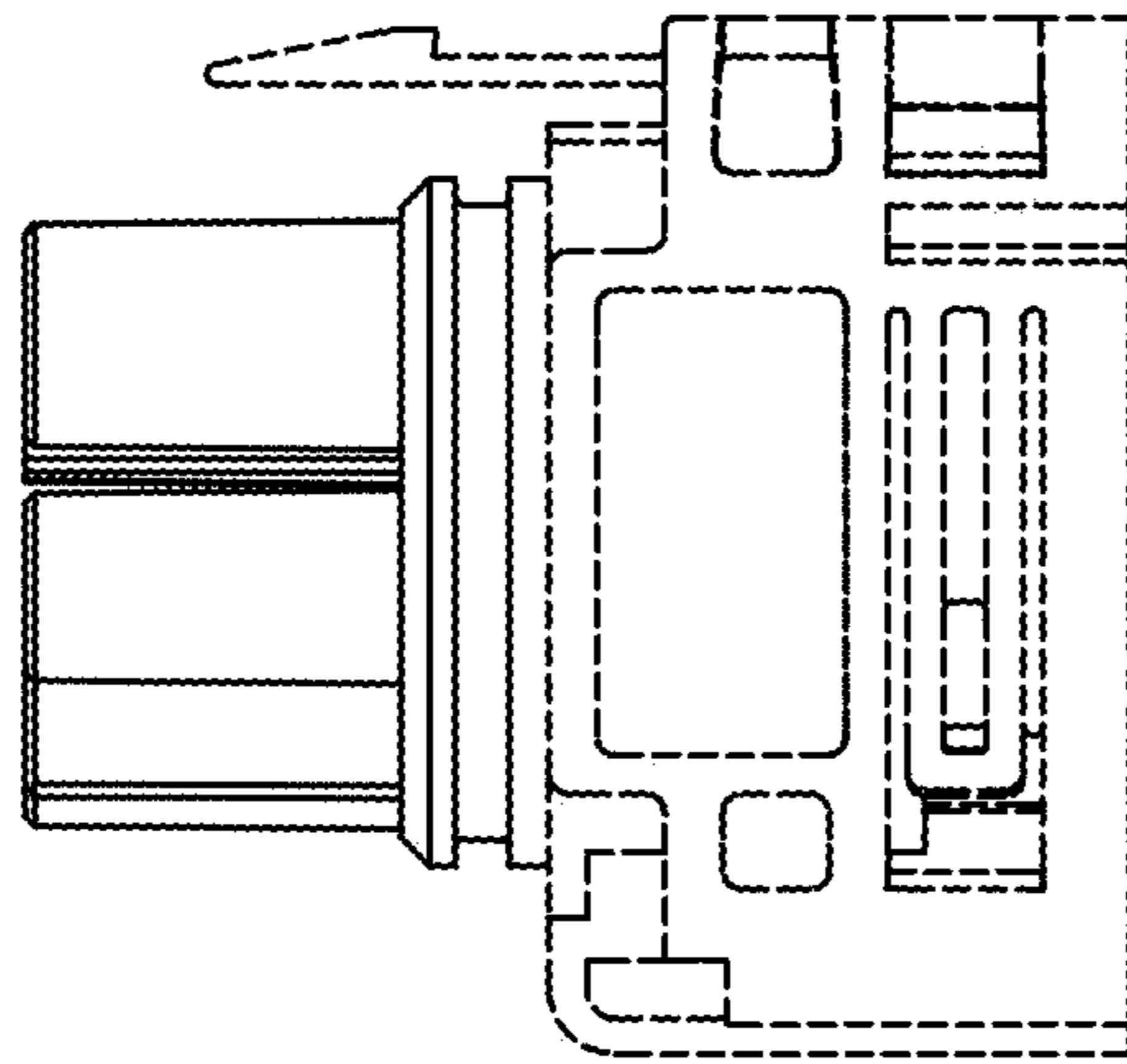


FIG. 14

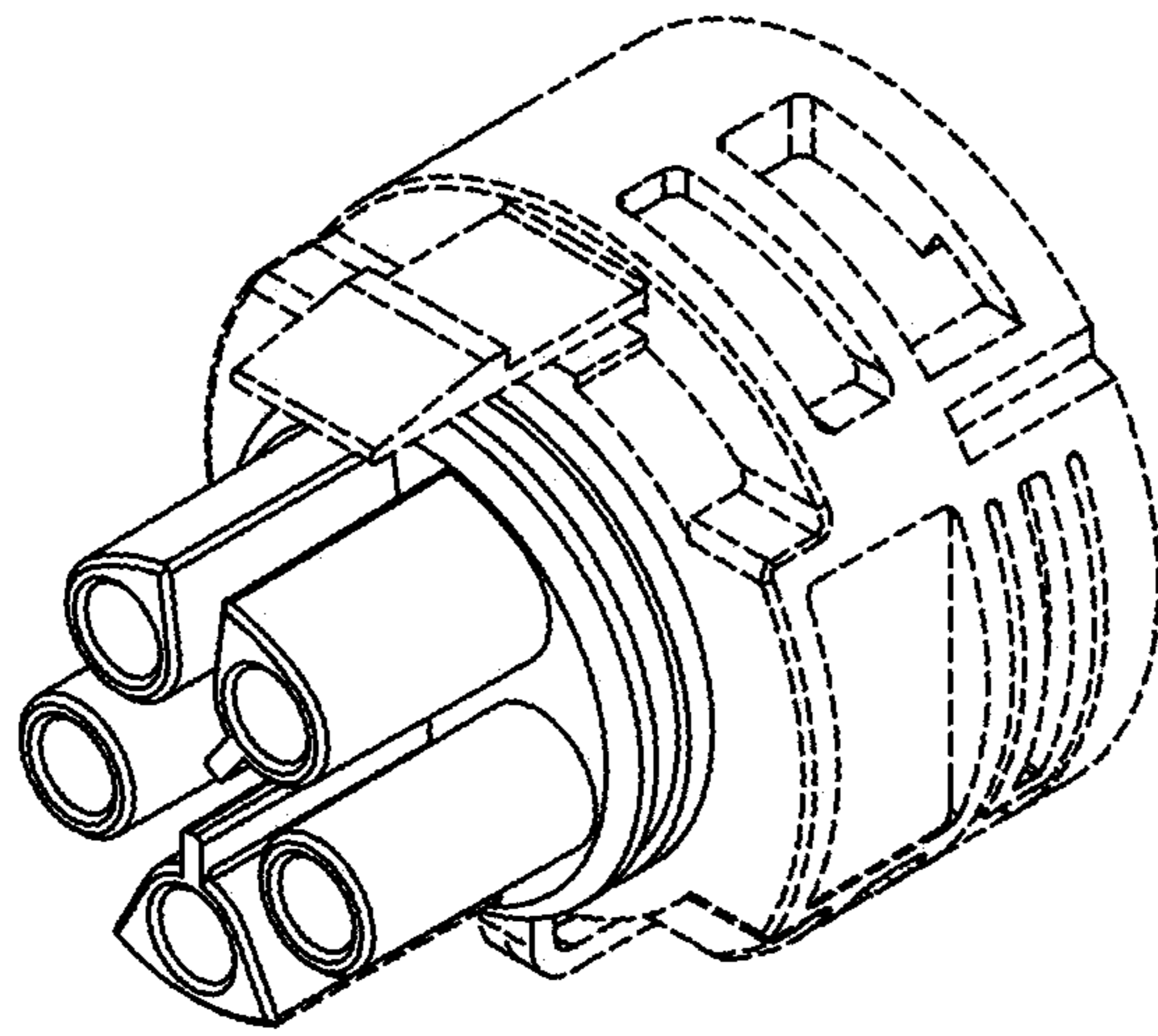


FIG. 15

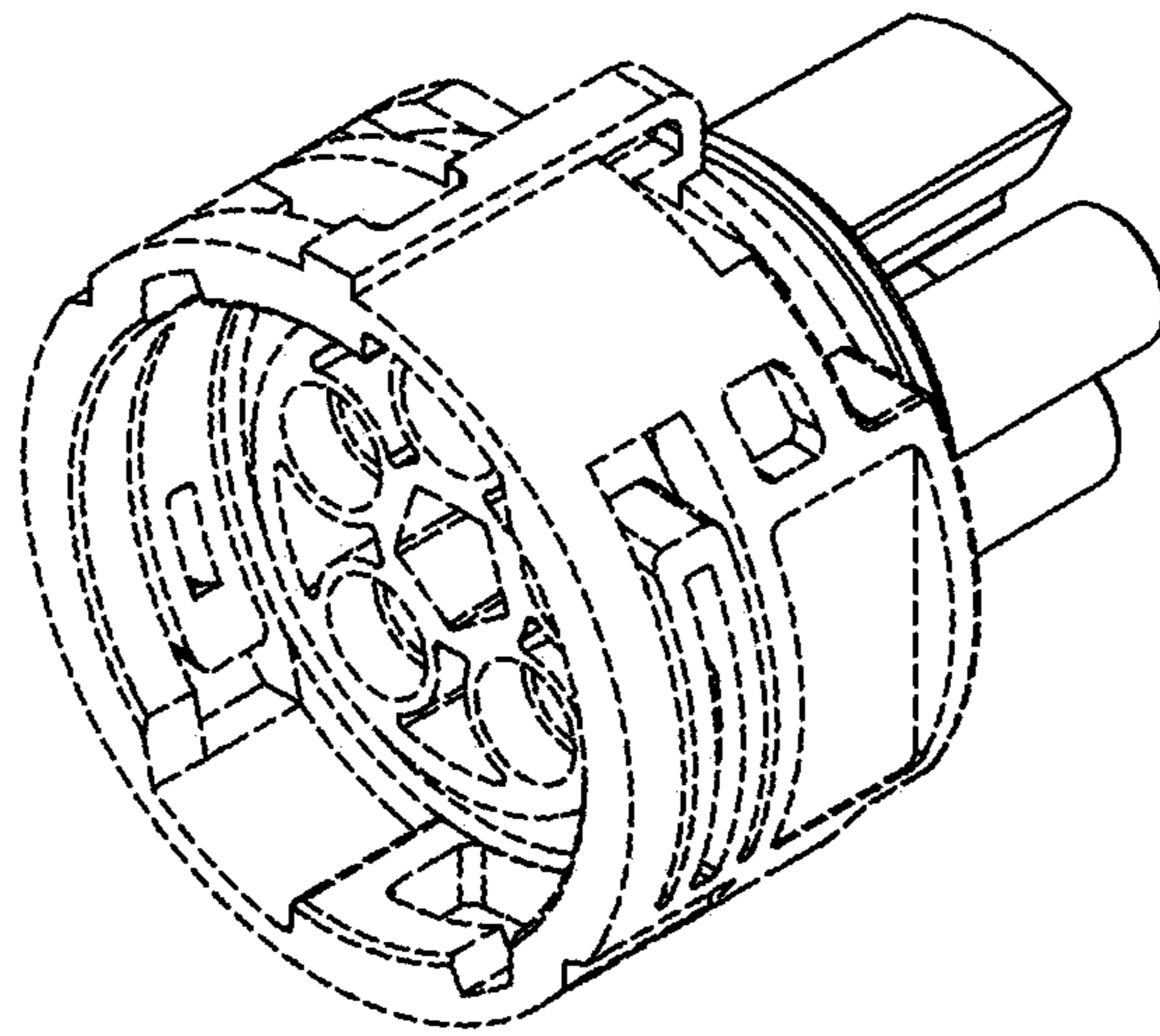


FIG. 16

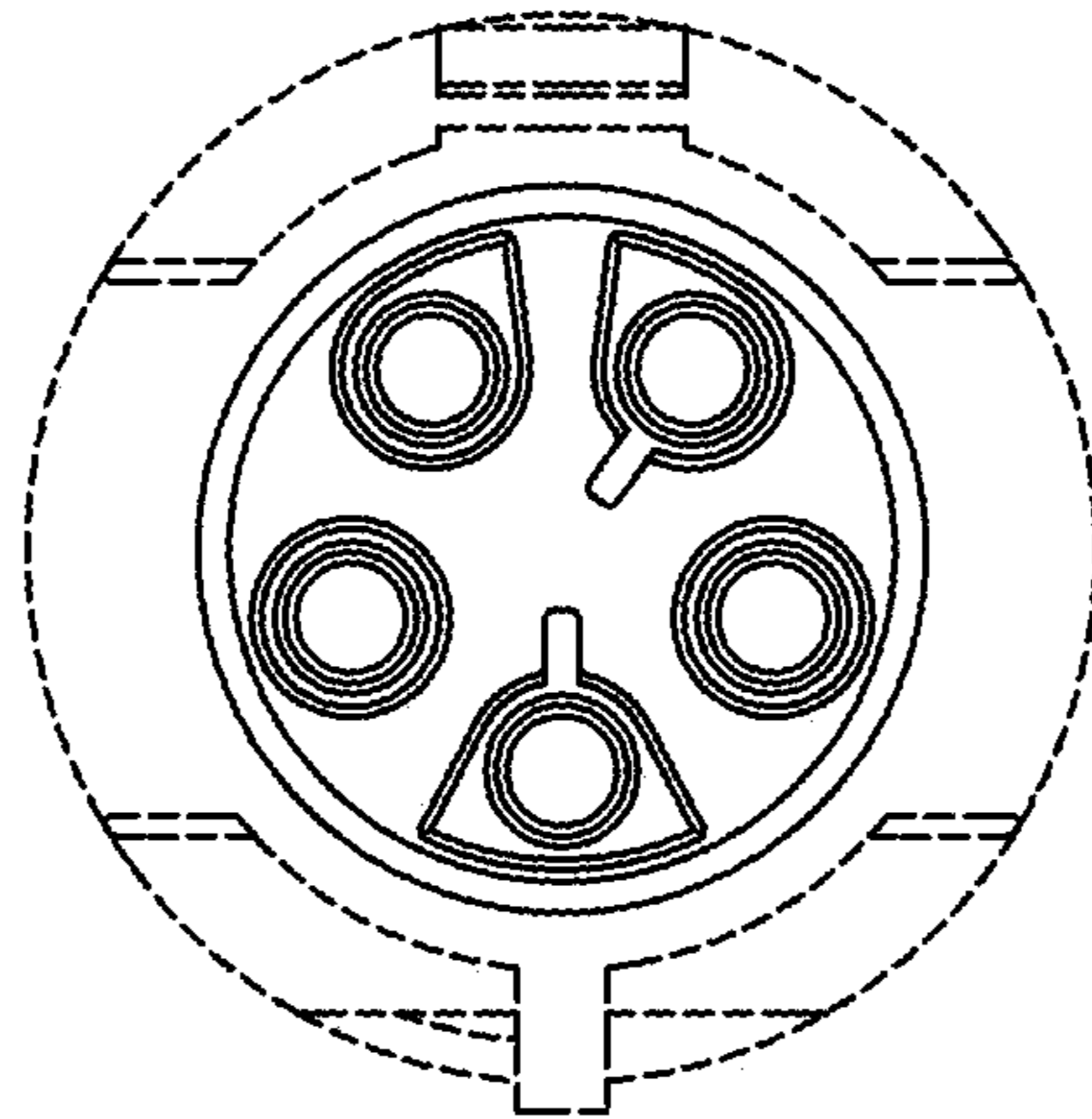


FIG. 17

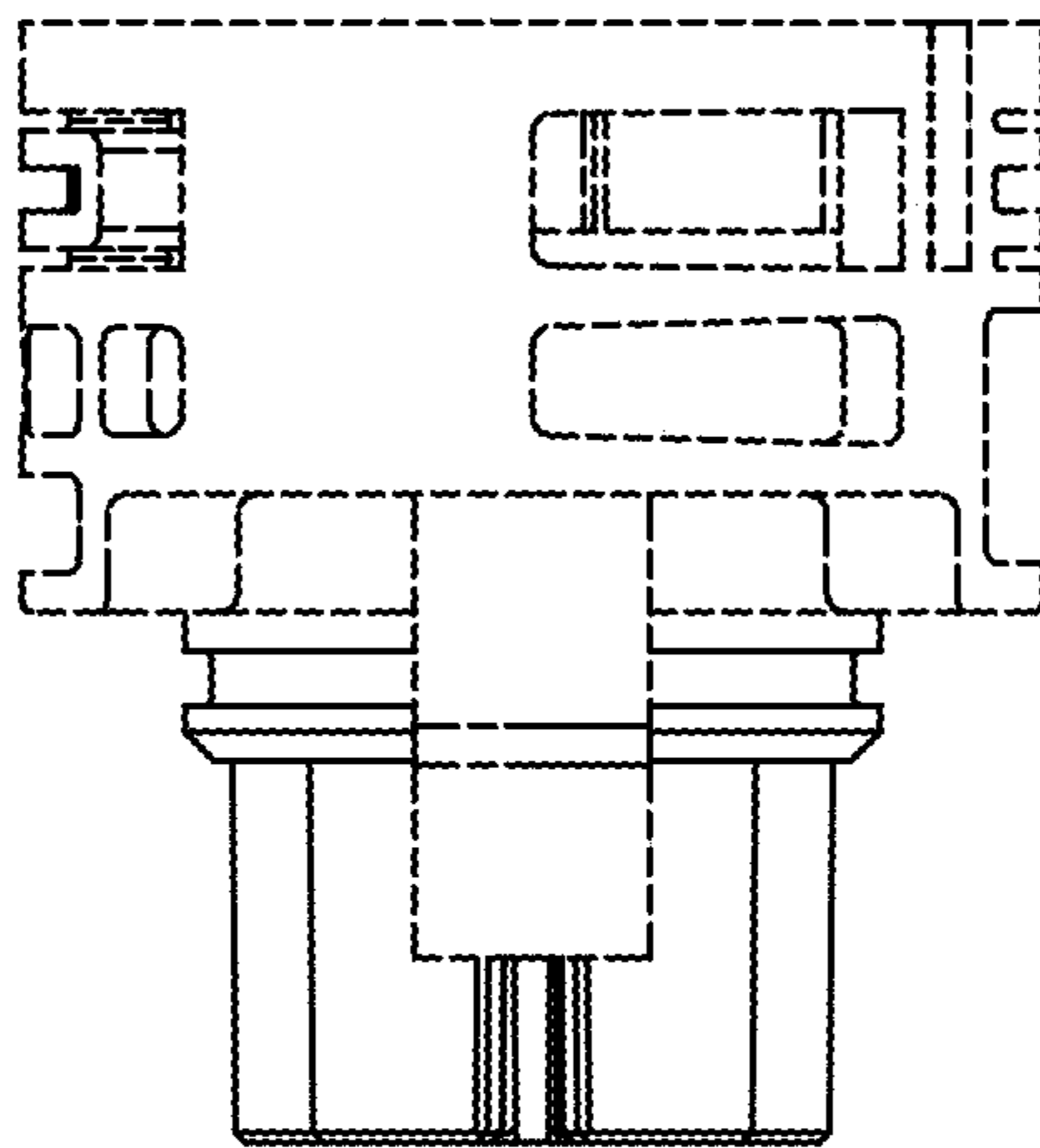


FIG. 18

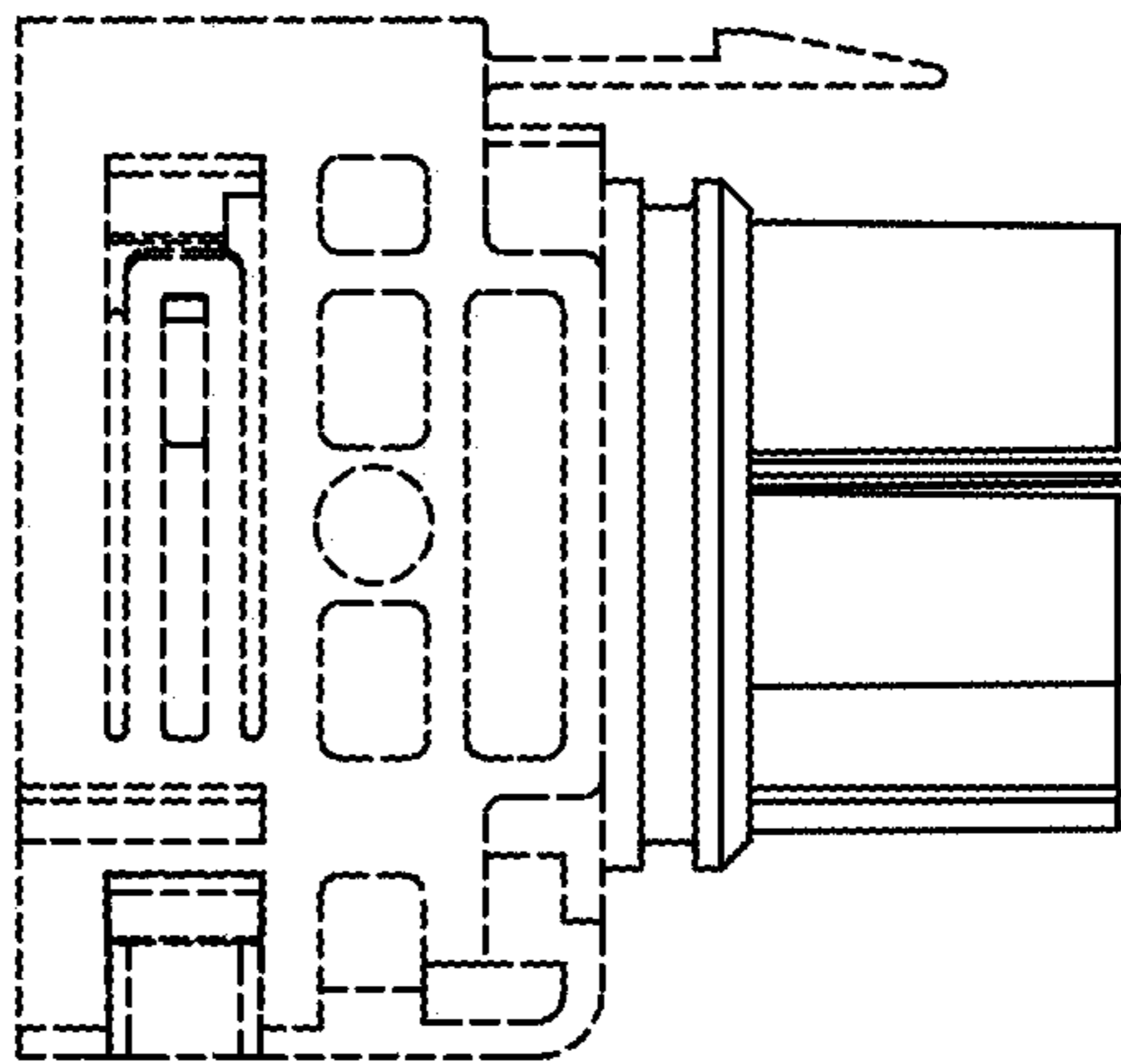


FIG. 19

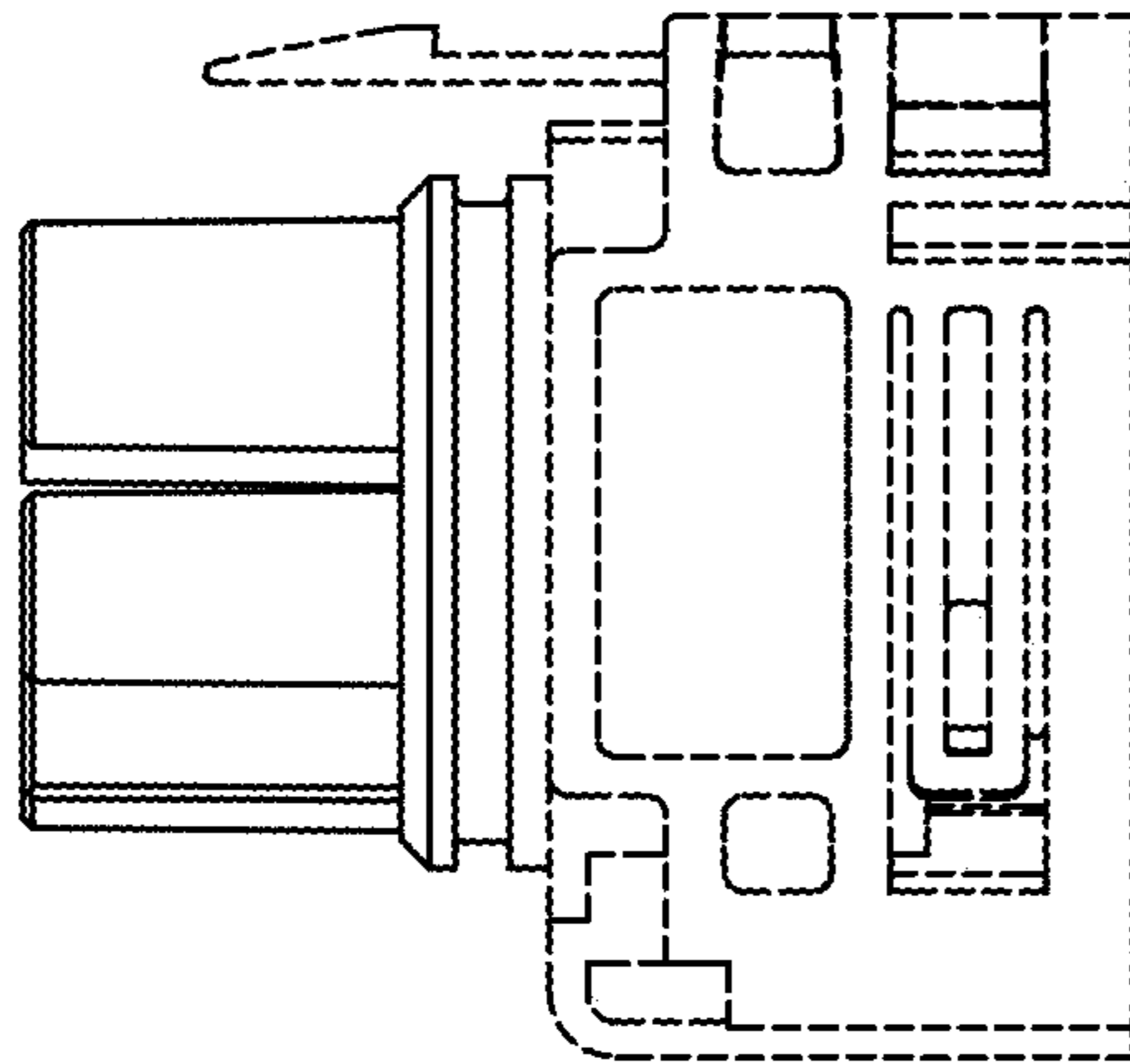


FIG. 20

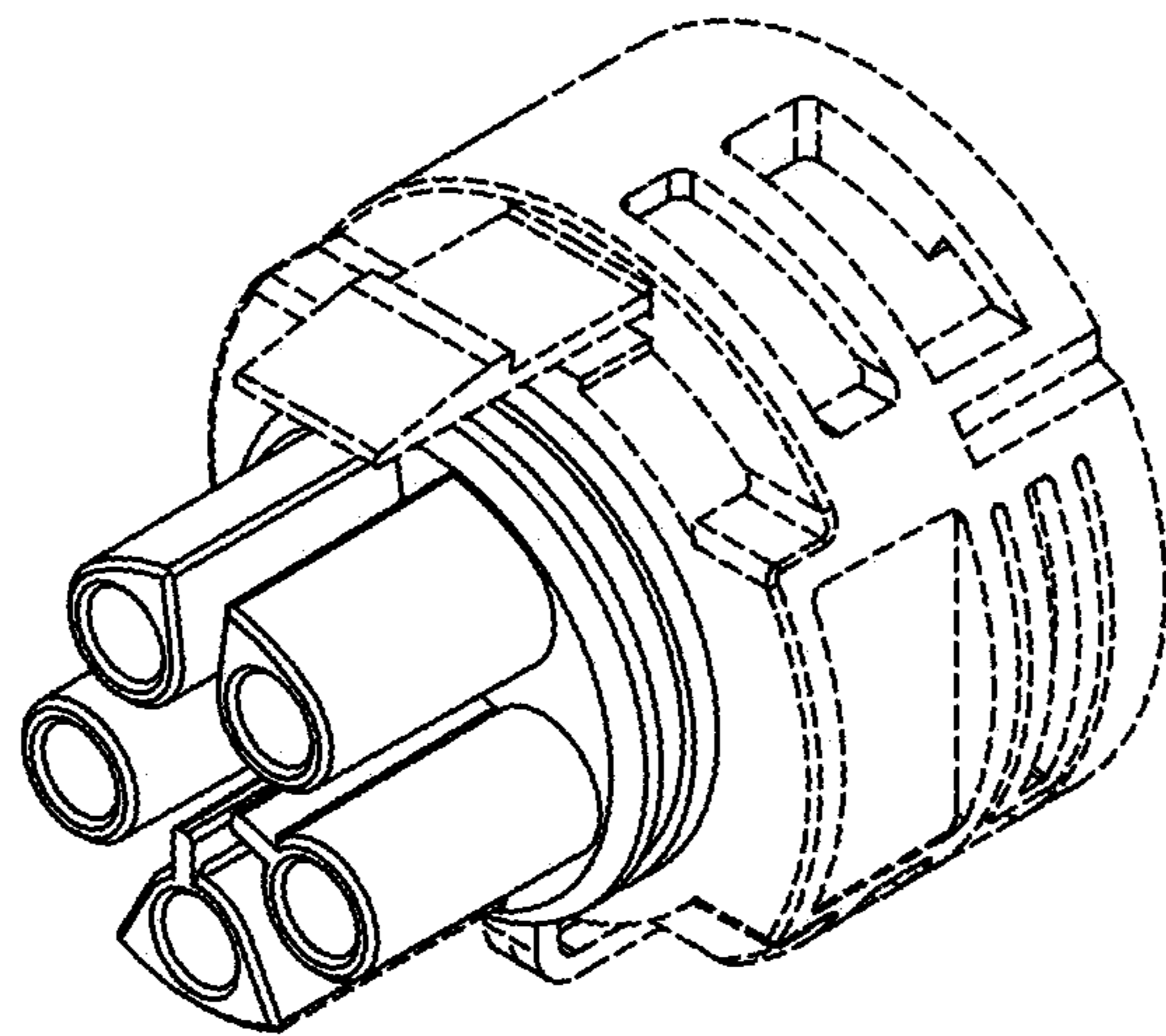


FIG. 21

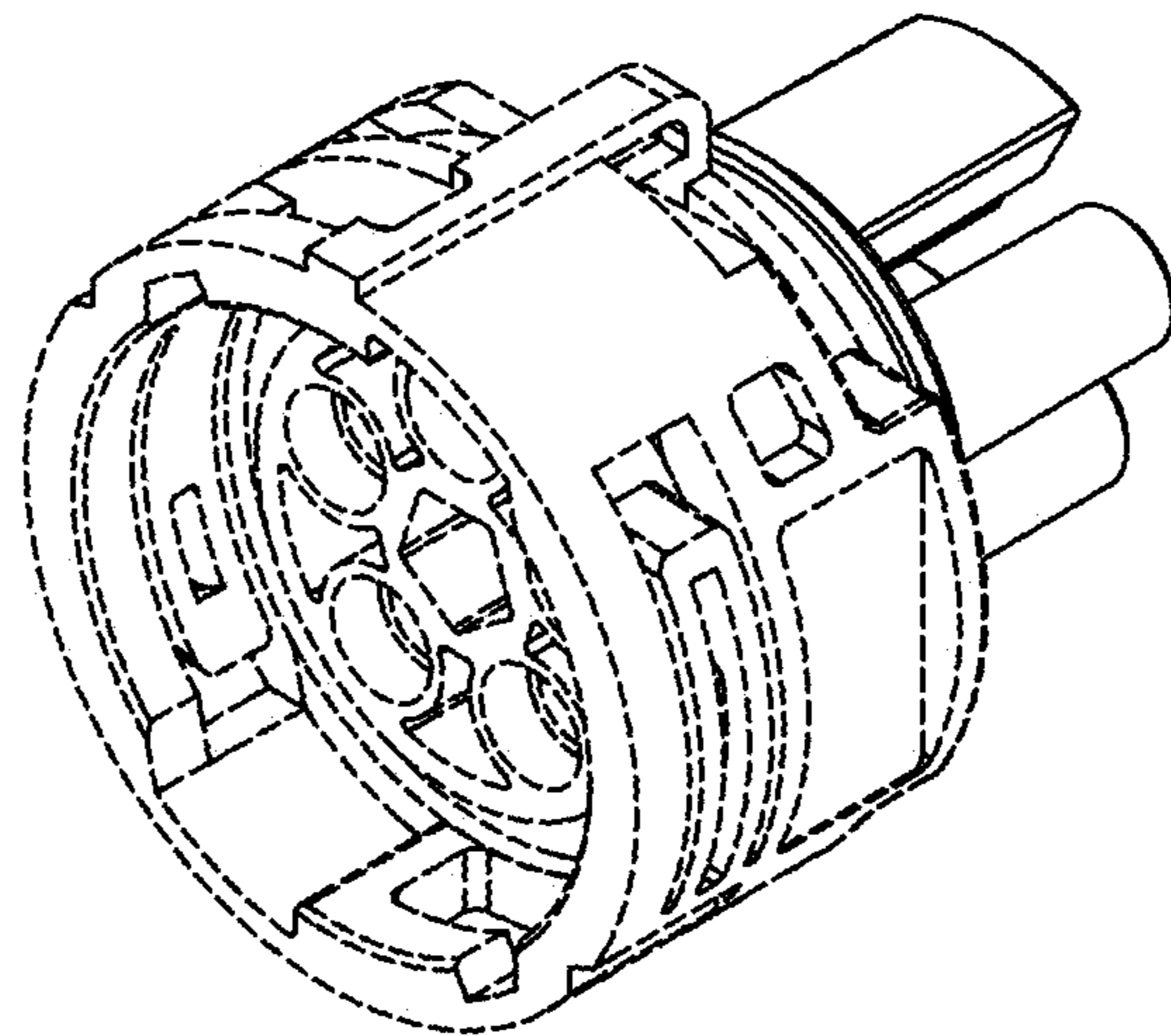


FIG. 22

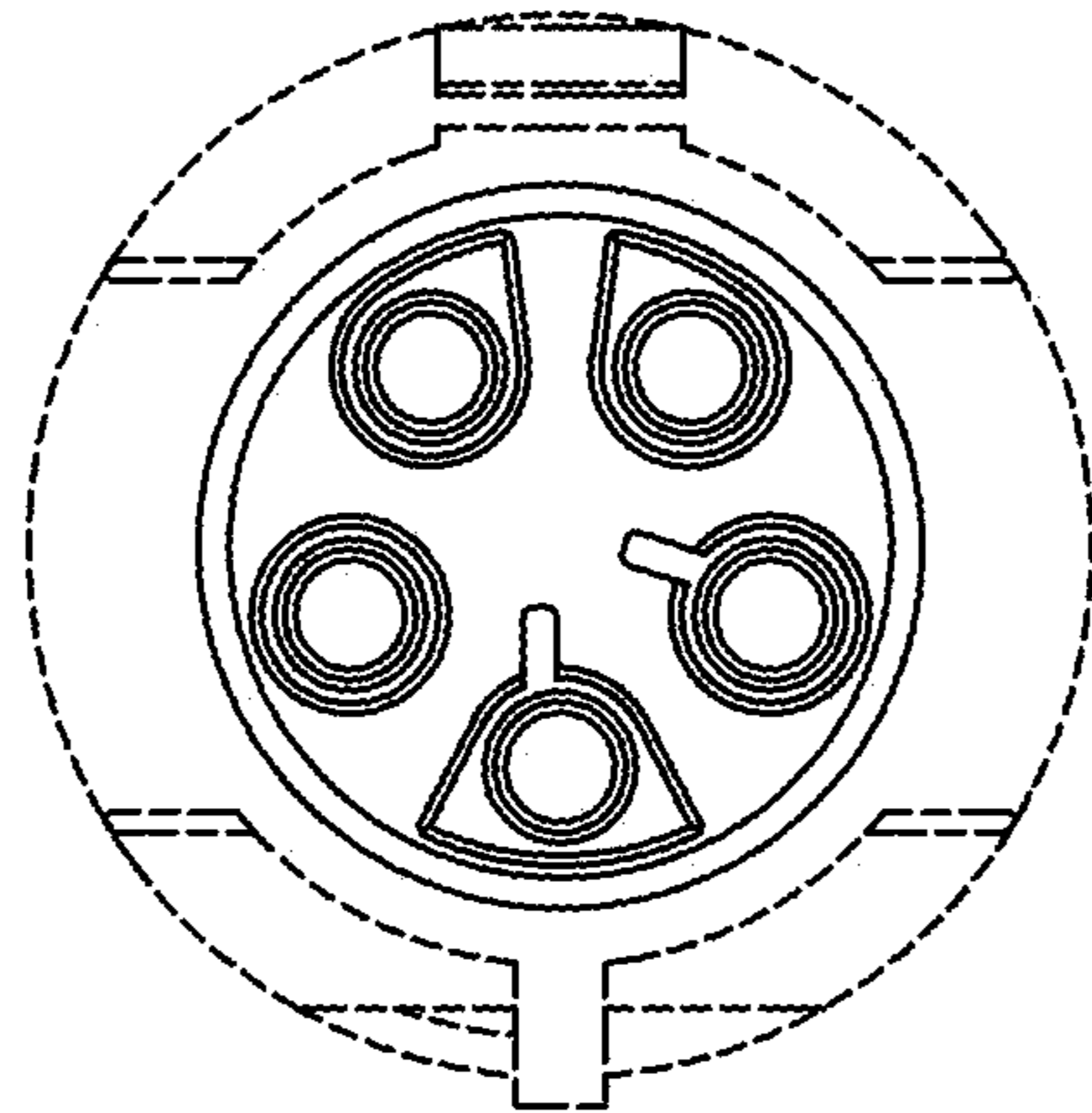


FIG. 23

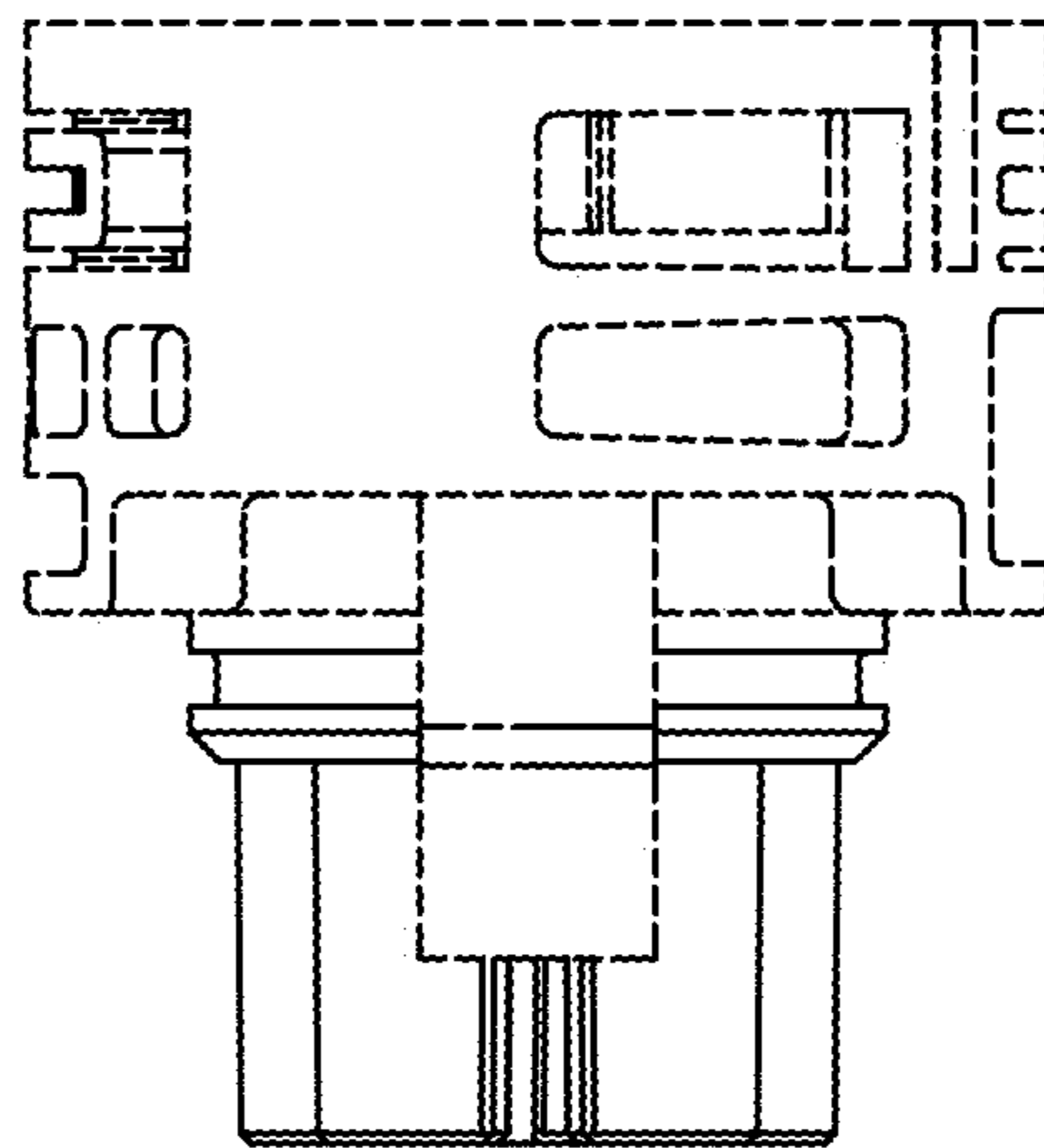


FIG. 24

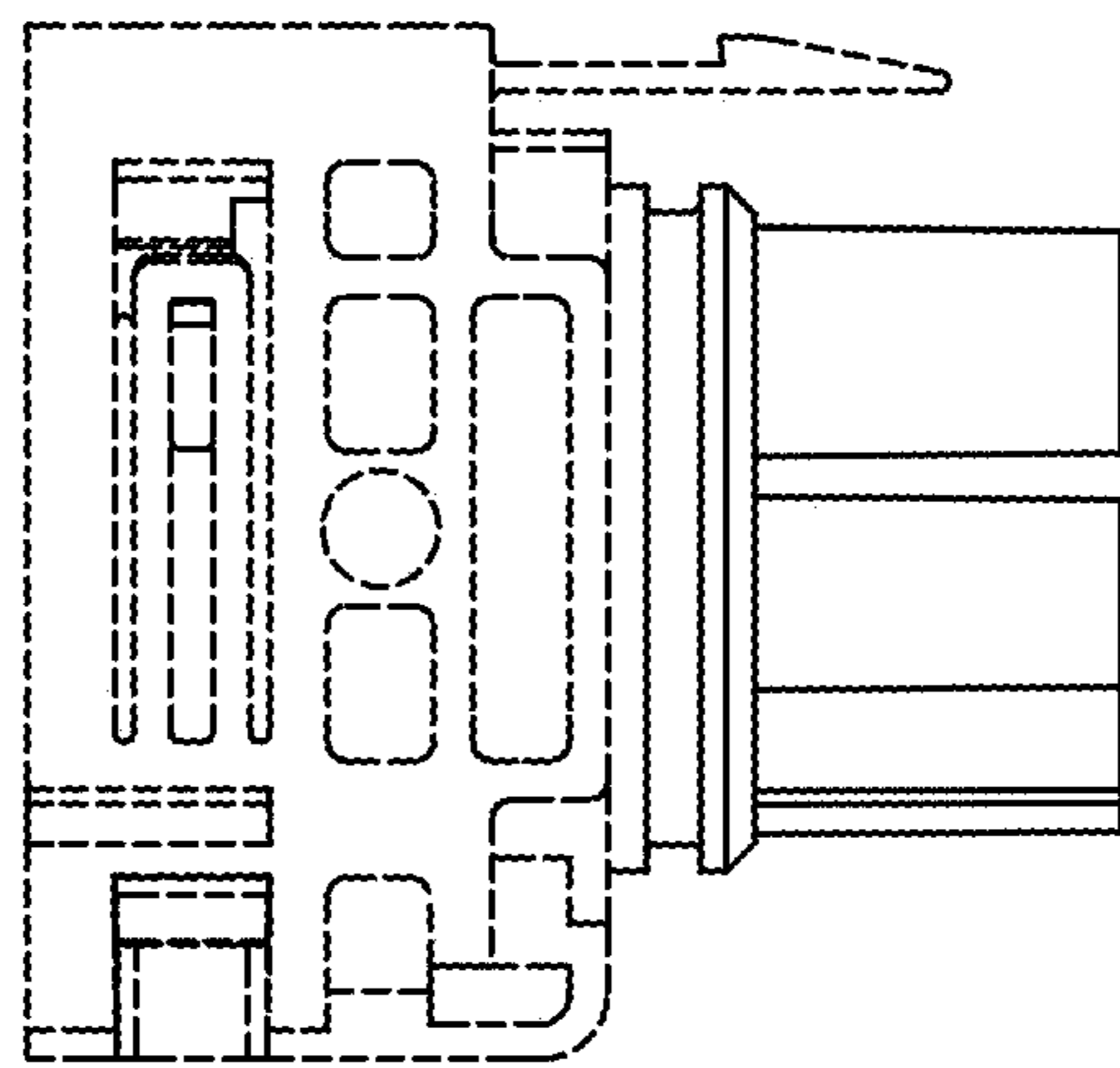


FIG. 25

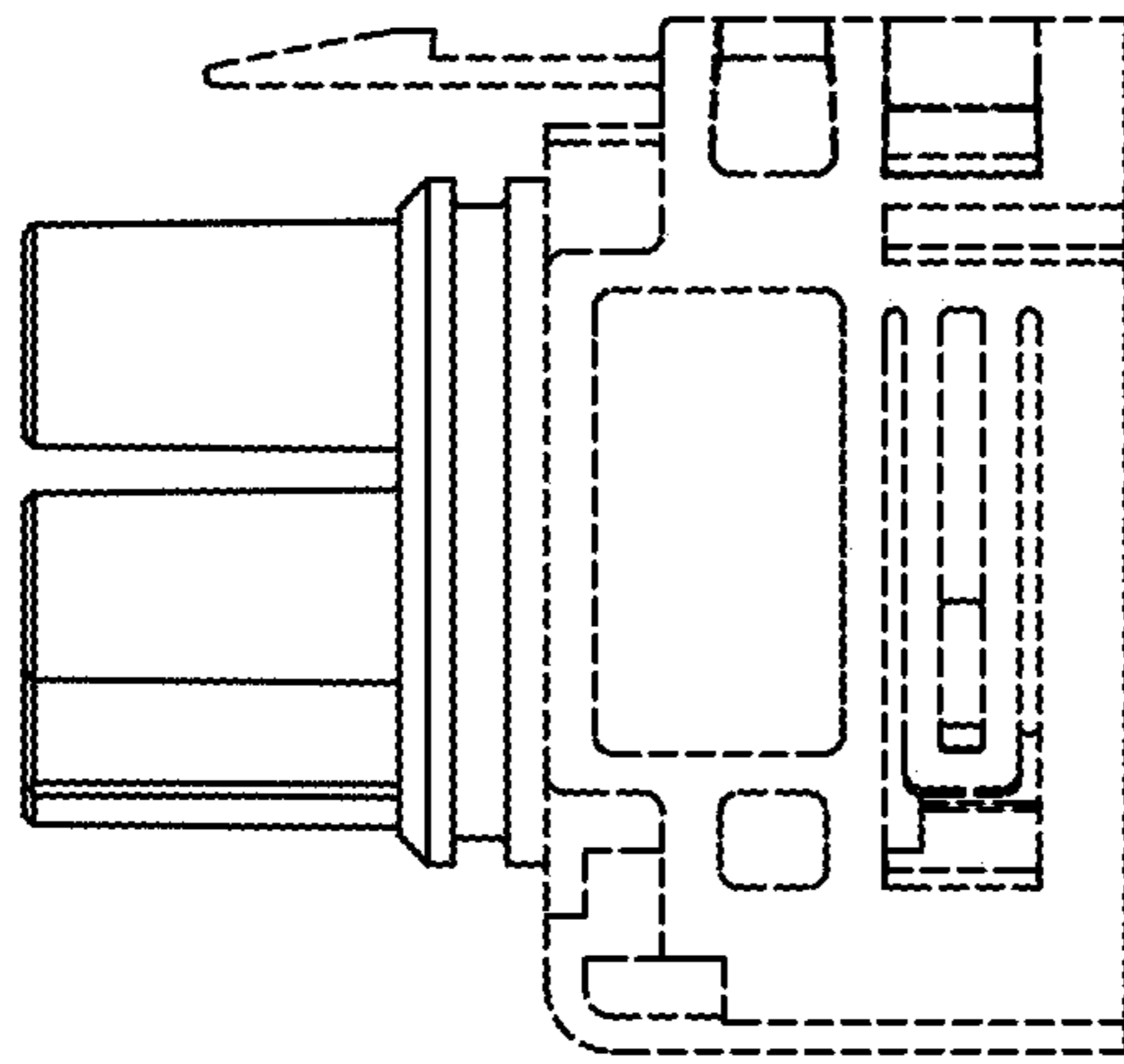


FIG. 26

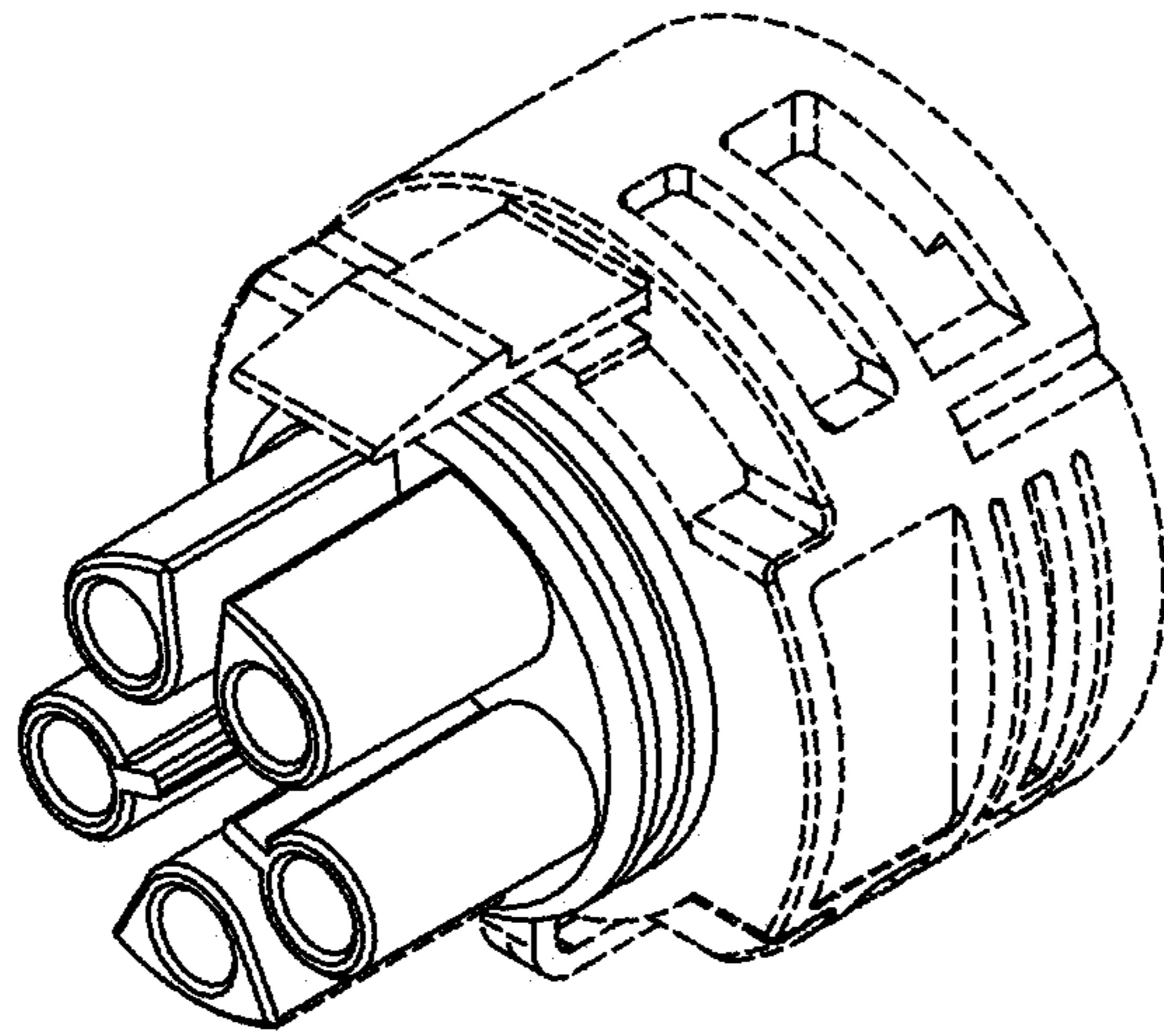


FIG. 27

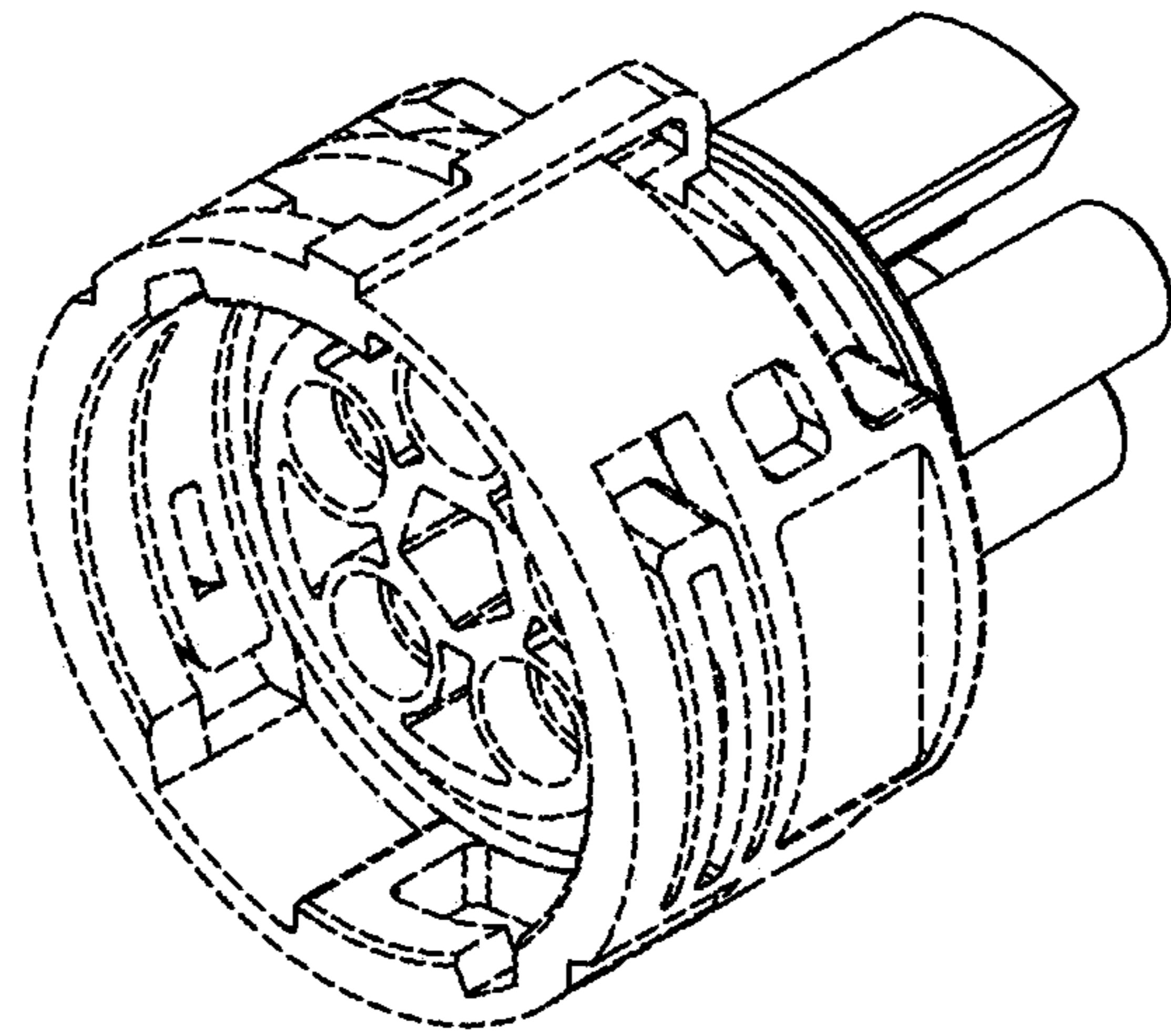


FIG. 28

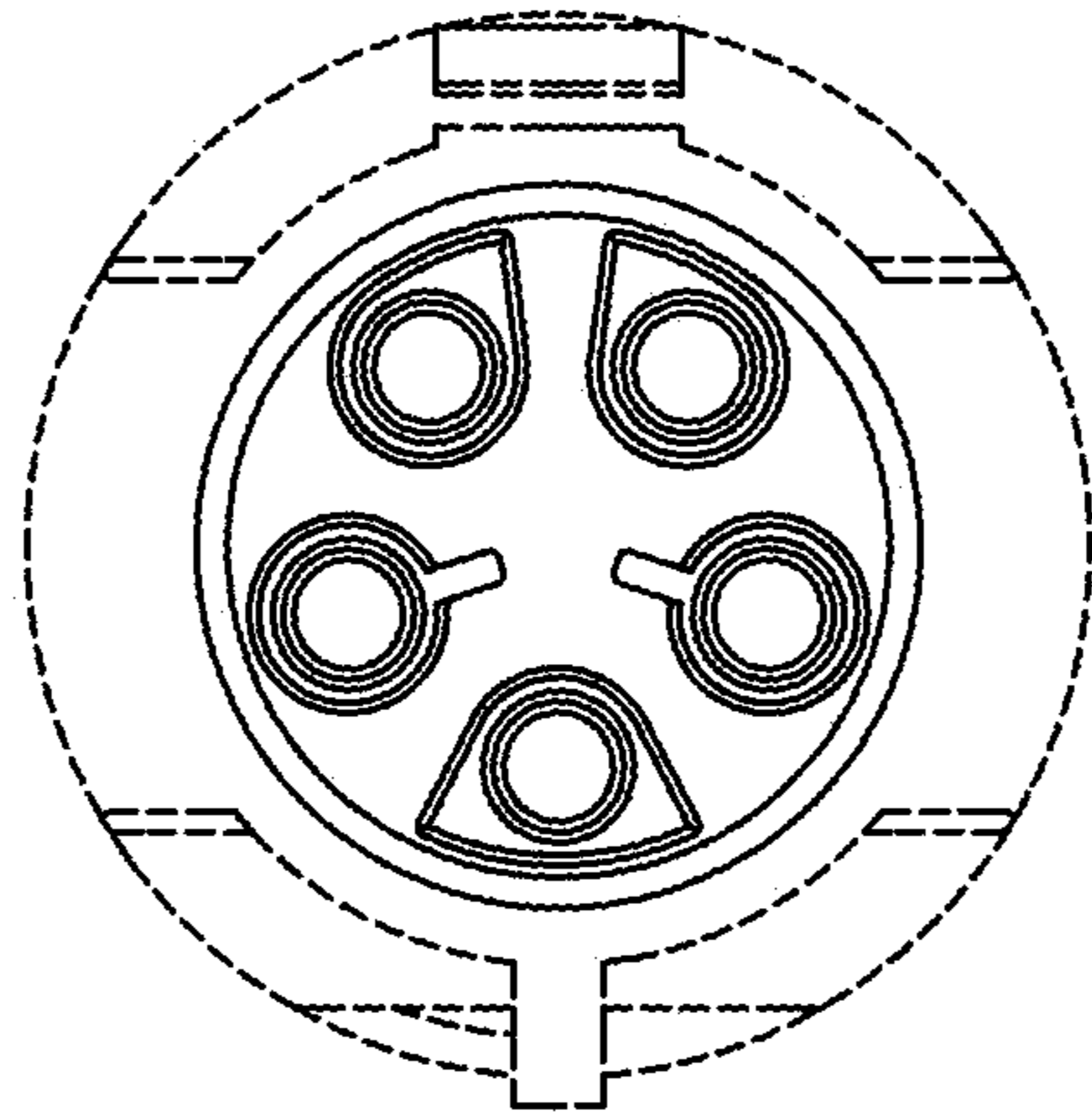


FIG. 29

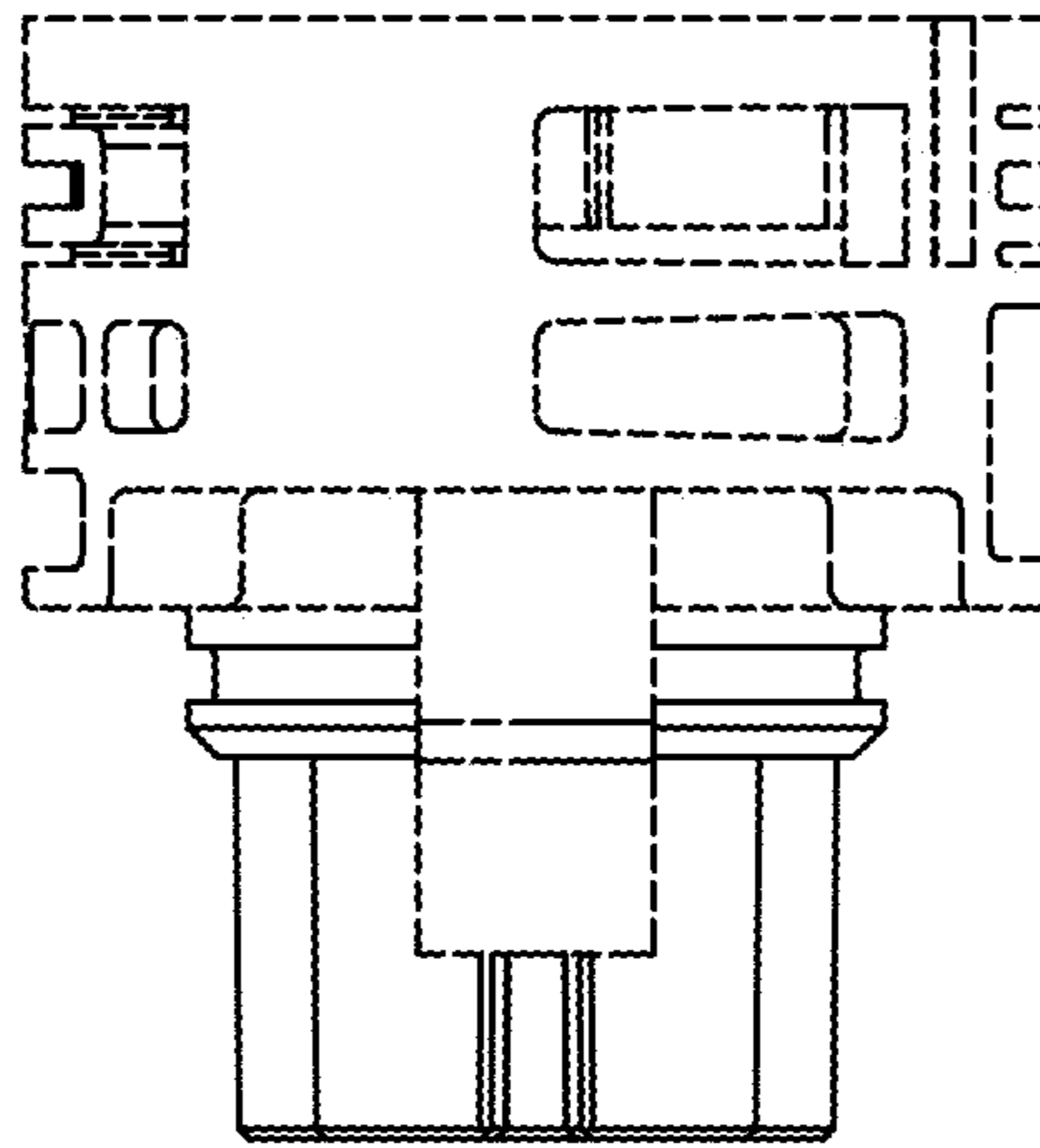


FIG. 30

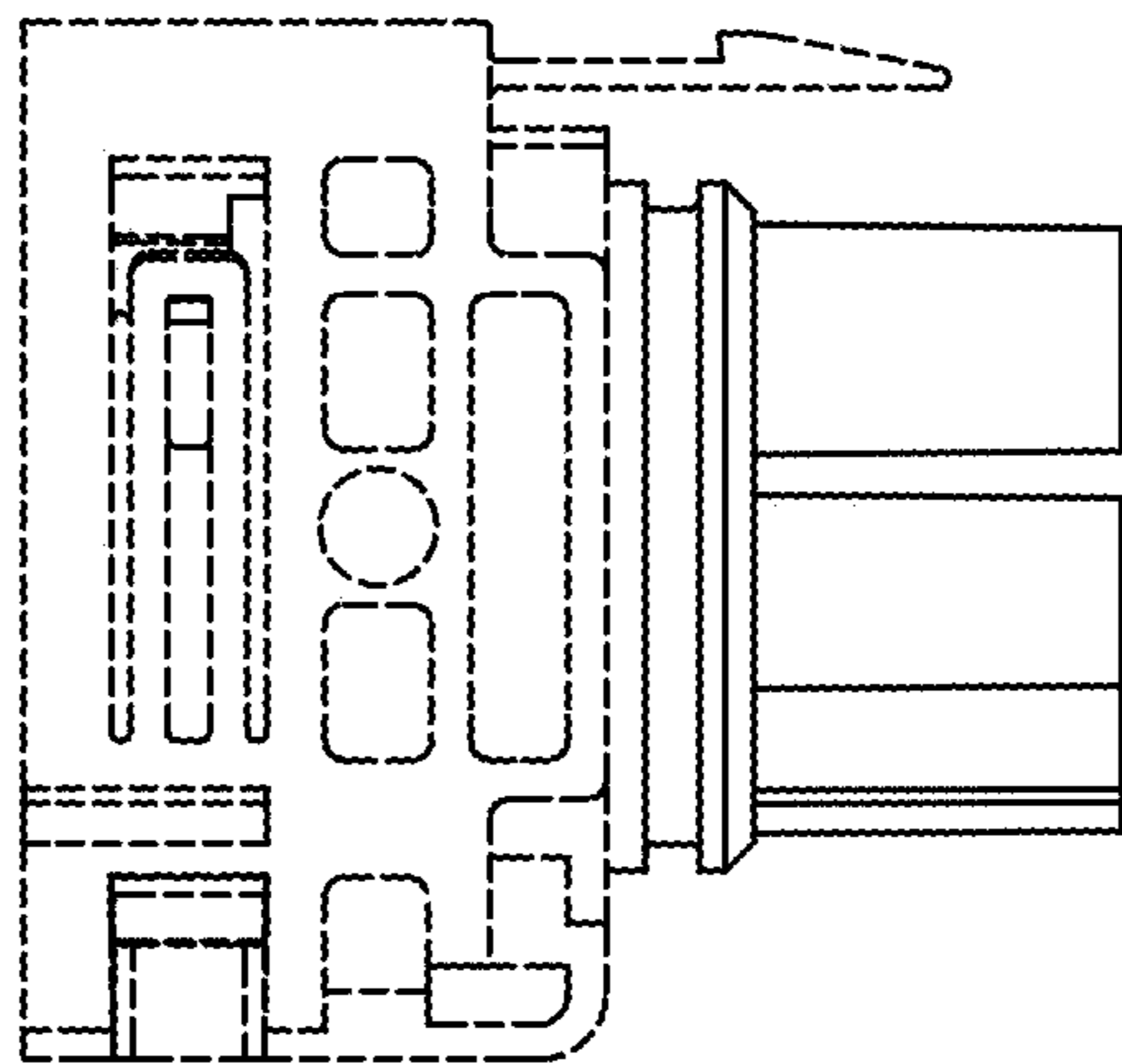


FIG. 31

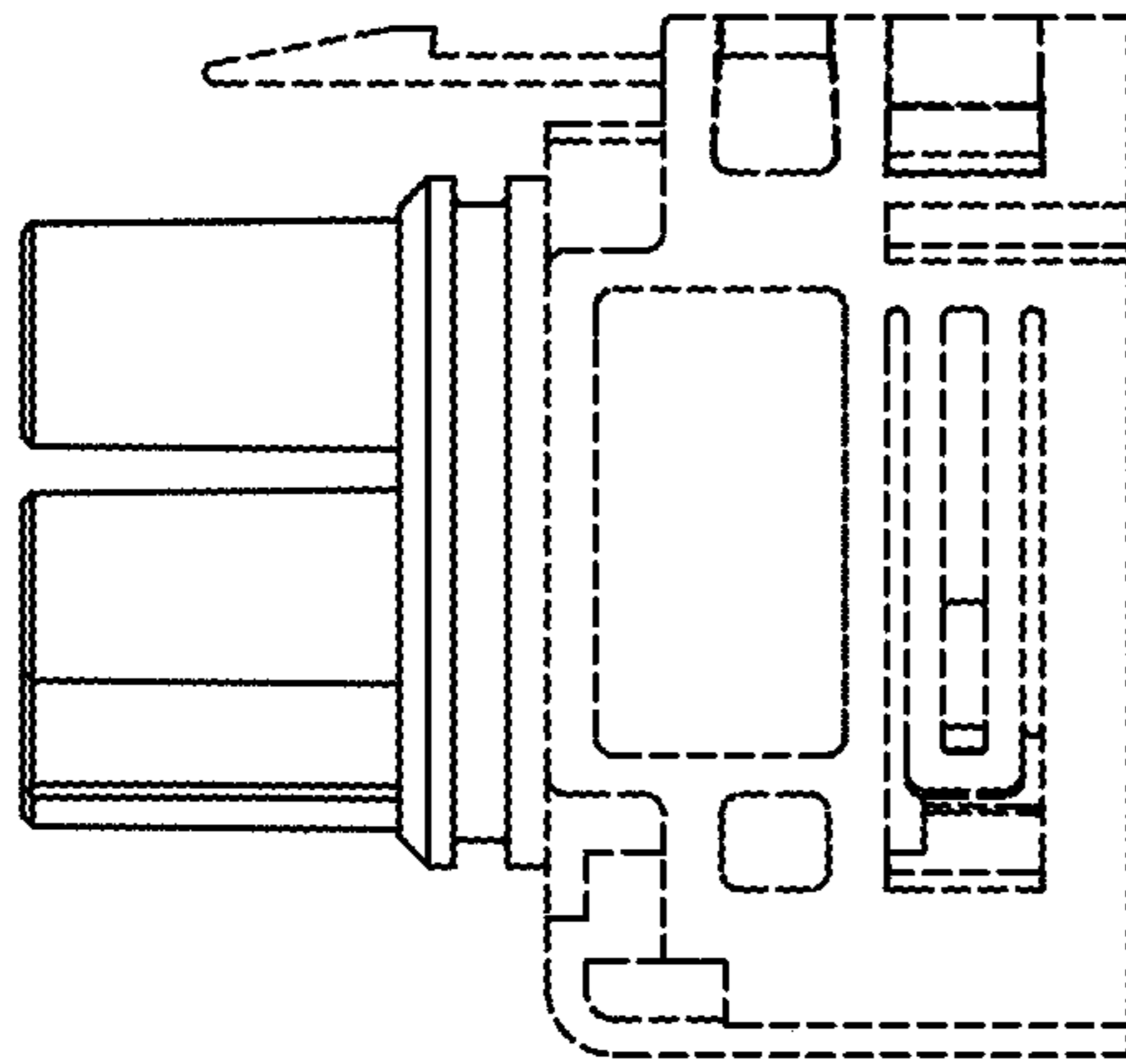


FIG. 32

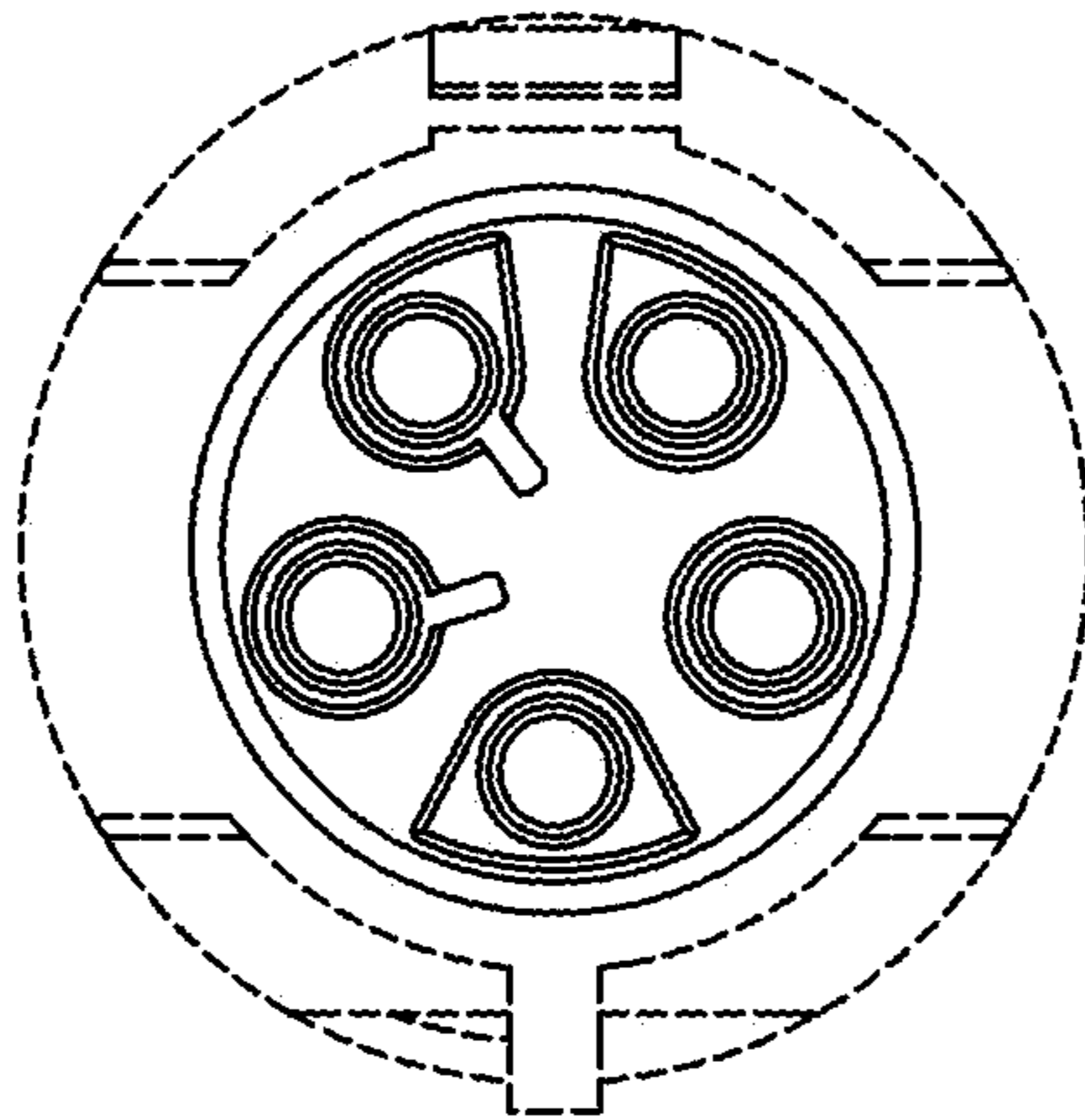


FIG. 33

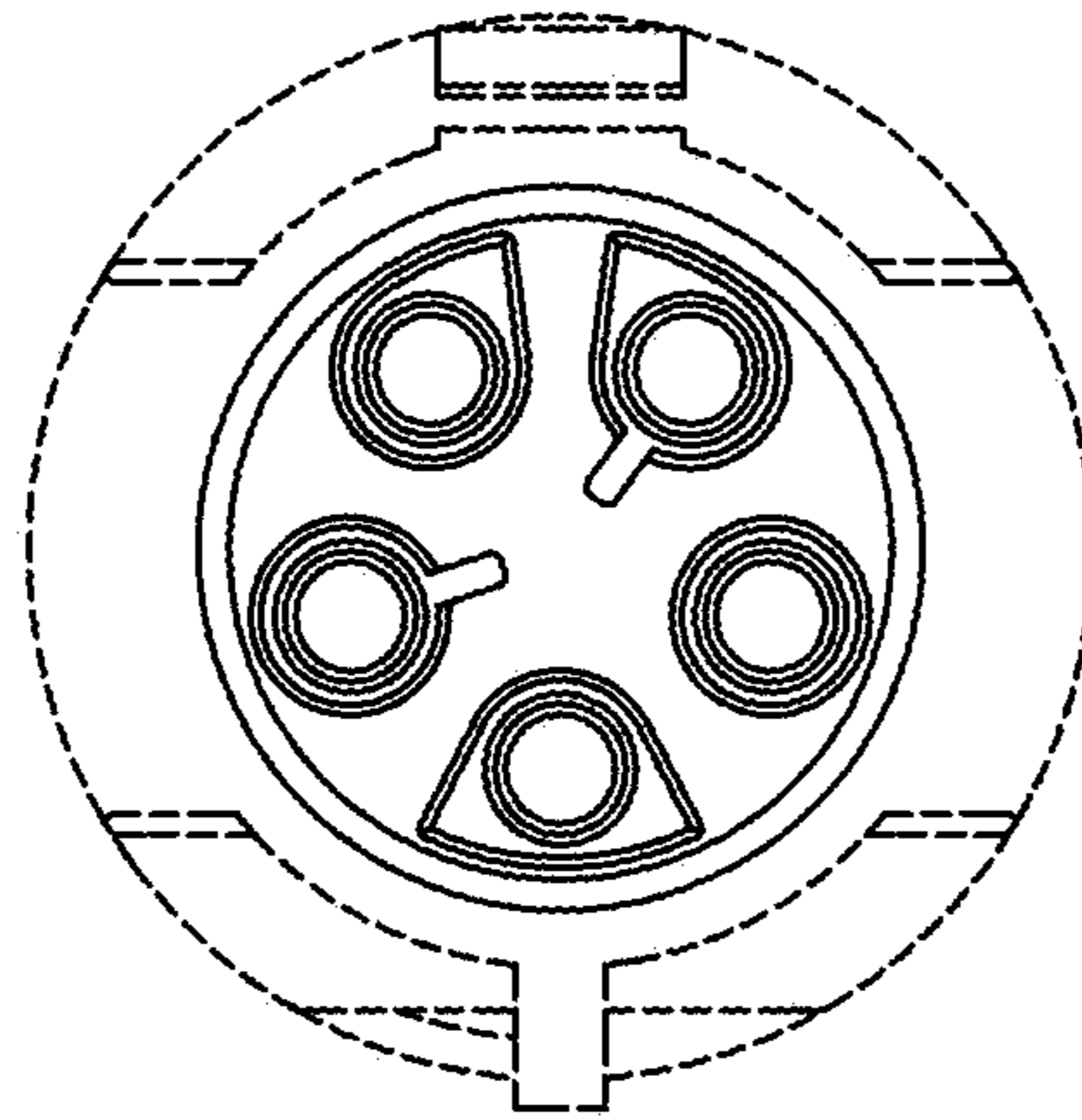


FIG. 34

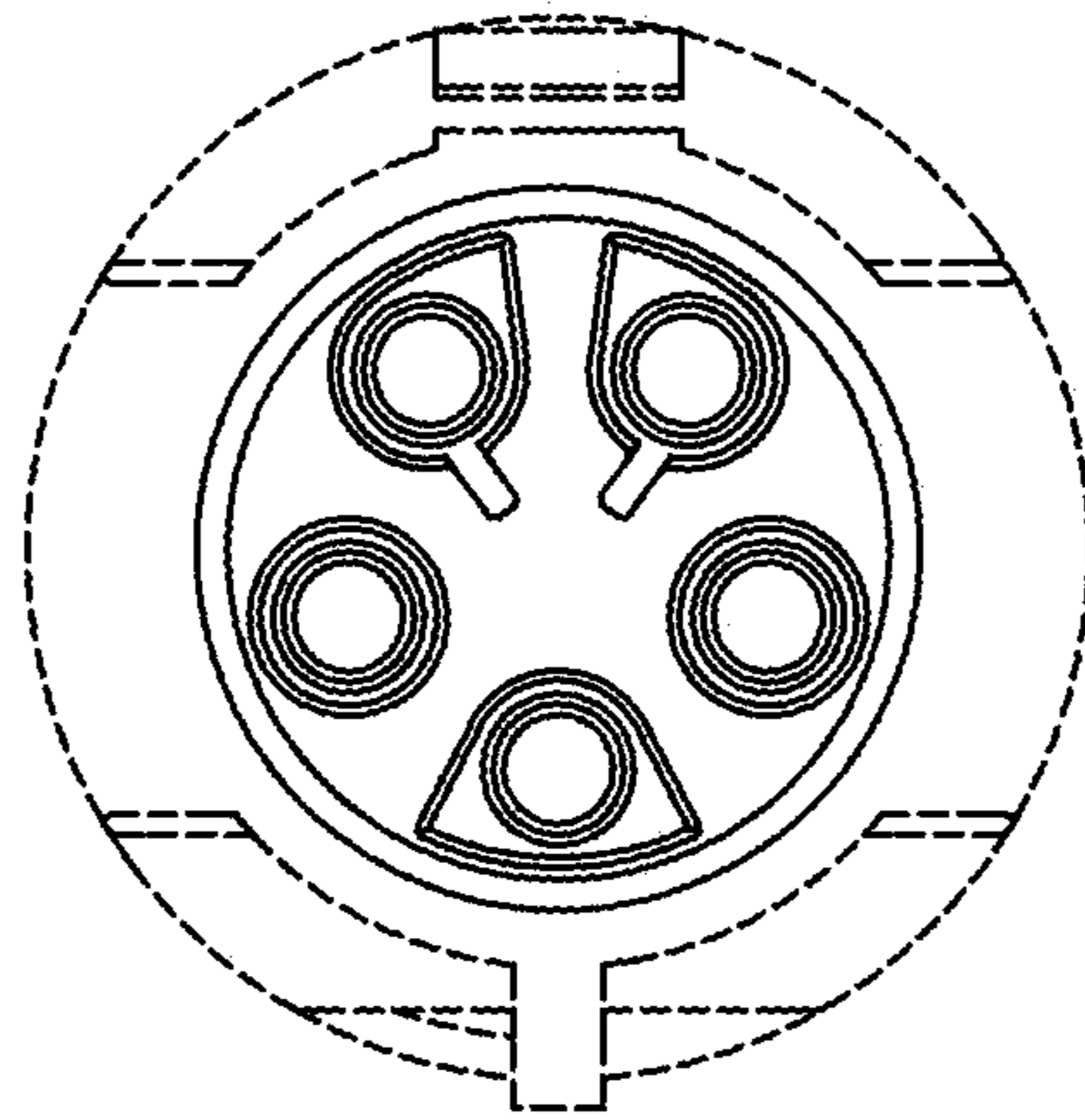


FIG. 35

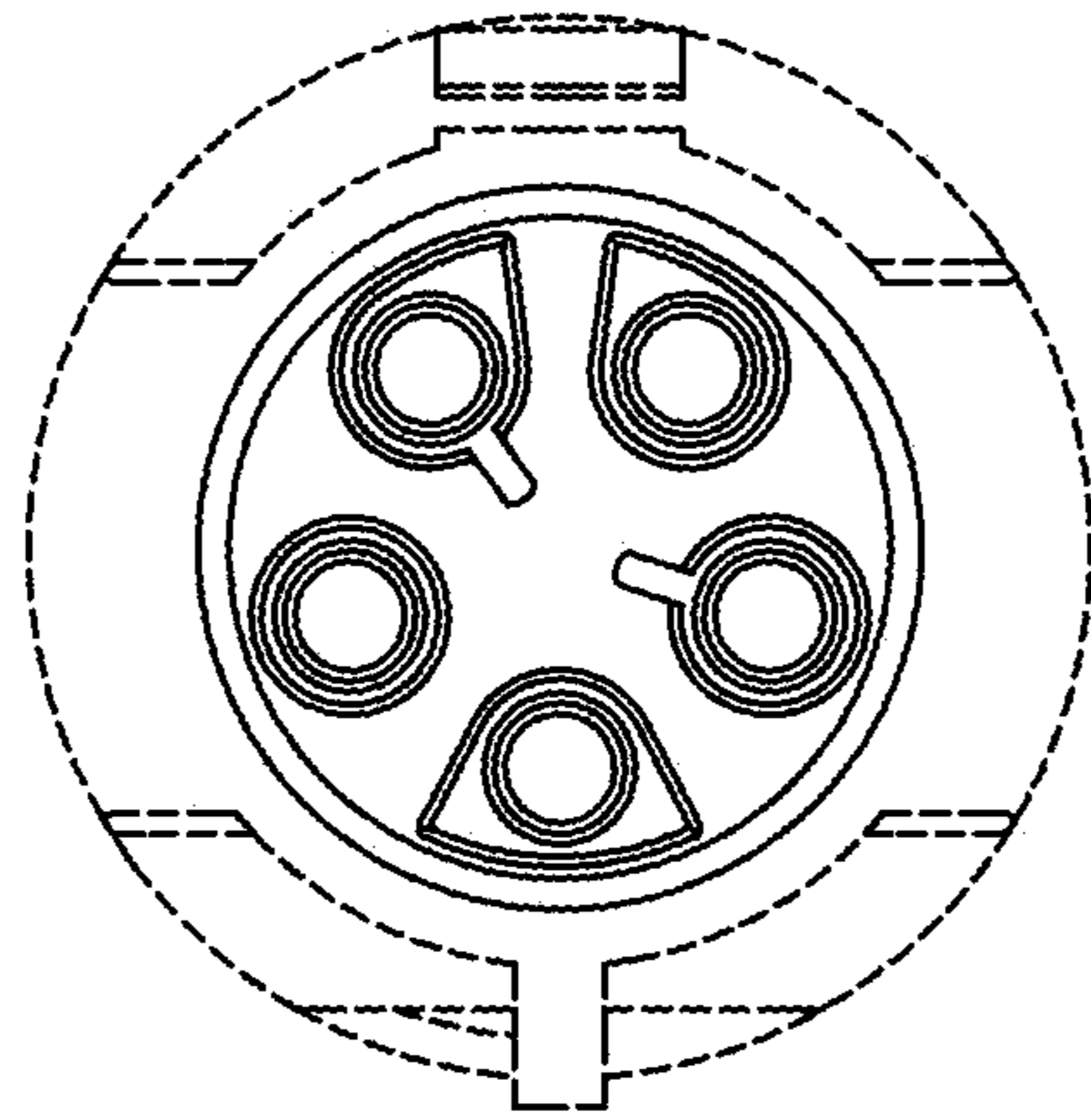


FIG. 36

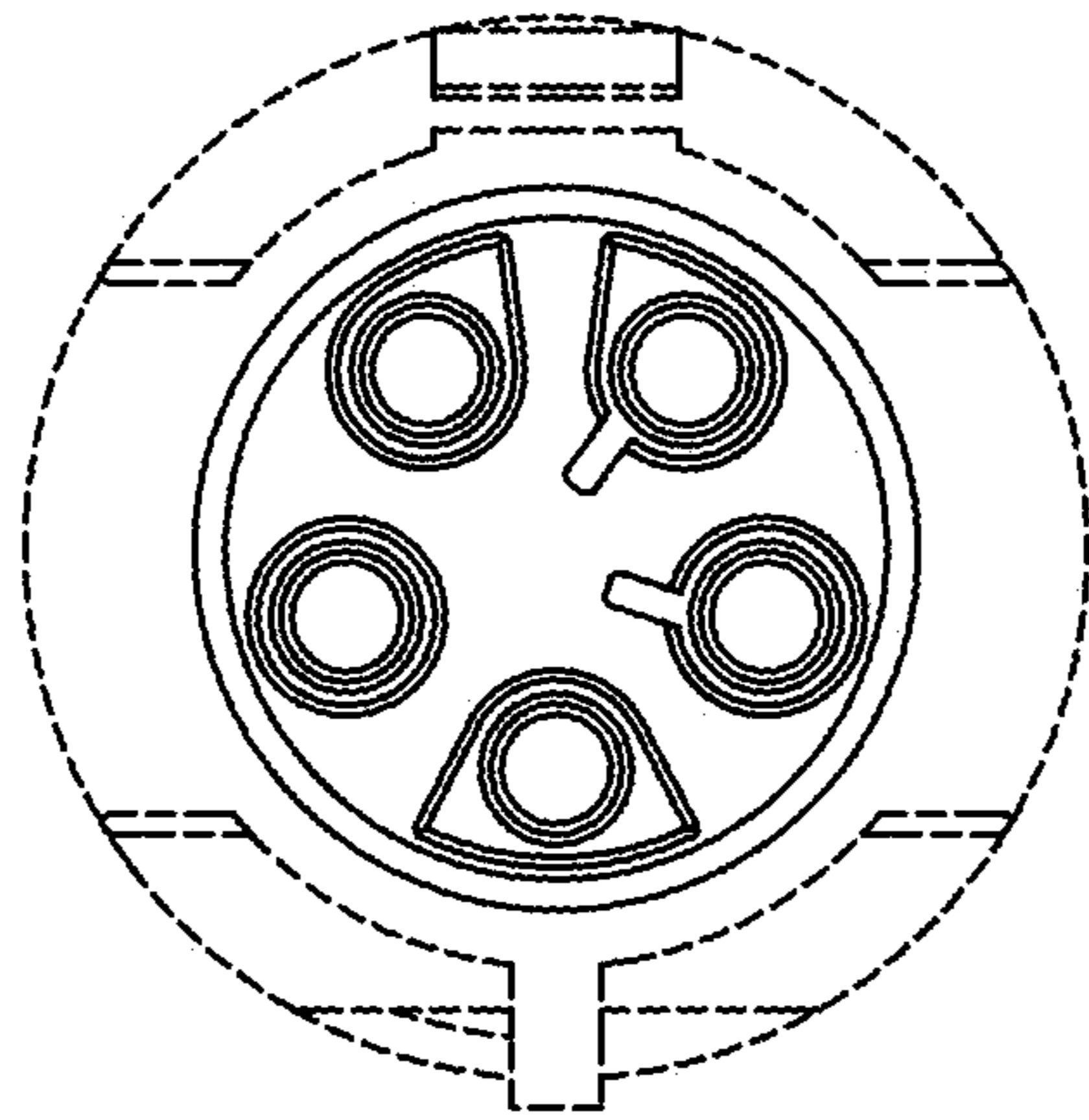


FIG. 37

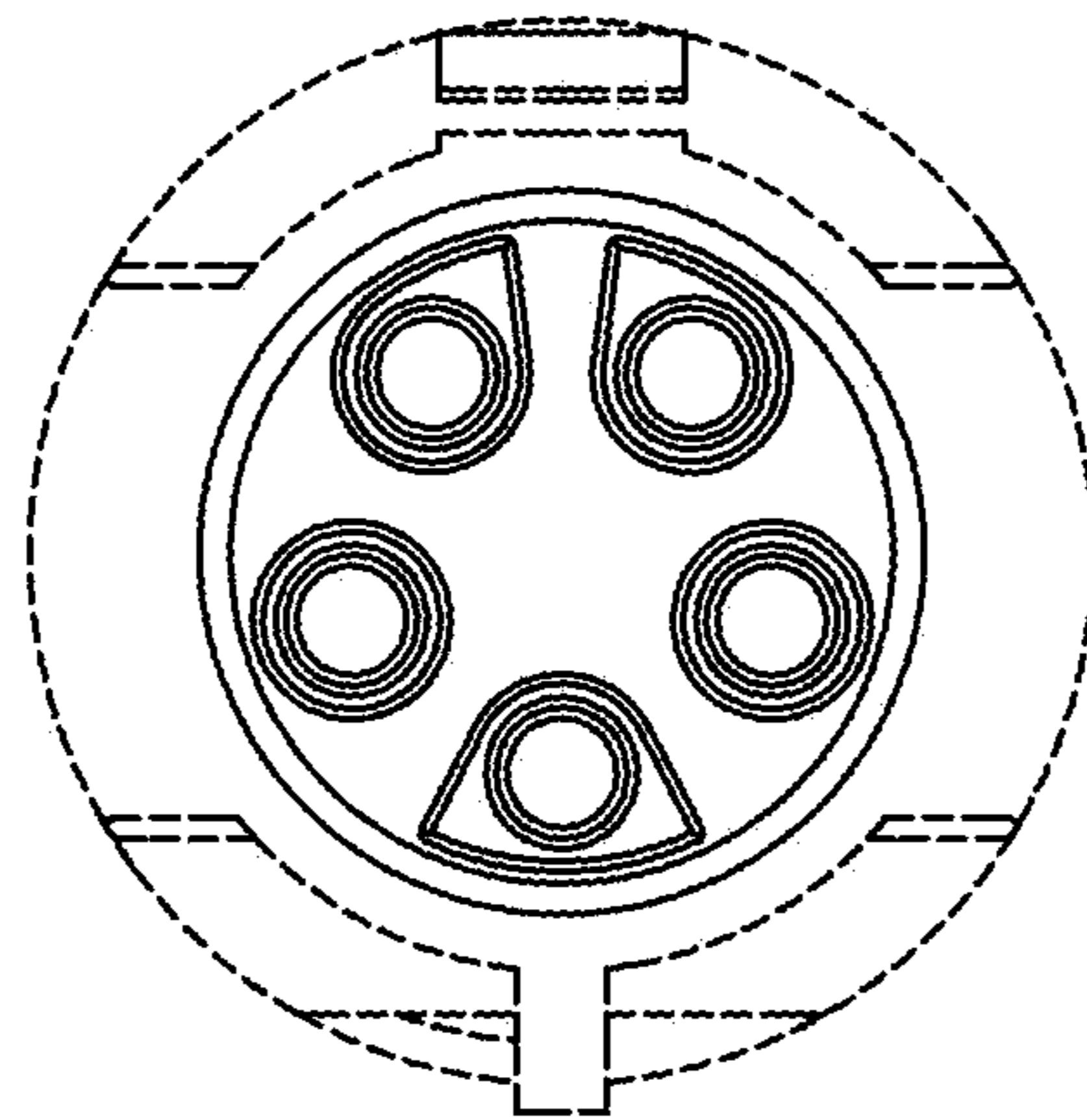


FIG. 38