



US00D722020S

(12) **United States Design Patent**
Benedict et al.

(10) **Patent No.:** **US D722,020 S**

(45) **Date of Patent:** **** Feb. 3, 2015**

(54) **CIRCUIT ANALYZER**

(71) Applicants: **Dominic W Benedict**, Stokesdale, NC
(US); **Jeffrey R Russell**, Winston-Salem,
NC (US)

(72) Inventors: **Dominic W Benedict**, Stokesdale, NC
(US); **Jeffrey R Russell**, Winston-Salem,
NC (US)

(73) Assignee: **Camco Manufacturing, Inc.**,
Greensboro, NC (US)

(**) Term: **14 Years**

(21) Appl. No.: **29/474,357**

(22) Filed: **Aug. 18, 2014**

(51) **LOC (10) Cl.** **13-02**

(52) **U.S. Cl.**
USPC **D13/110**

(58) **Field of Classification Search**
USPC D13/110, 107, 108, 118, 119, 123, 133,
D13/137.1, 138.1, 138.2, 139.1, 184, 199;
D14/251, 432, 434; 174/53, 54, 59, 61;
307/11, 150, 151; 320/107, 111, 112,
320/113, 114, 115; 361/679.01; 363/142,
363/146; 439/131, 172, 626, 628, 638
See application file for complete search history.

(56) **References Cited**

U.S. PATENT DOCUMENTS

D381,624 S * 7/1997 Muller et al. D13/110
D480,358 S * 10/2003 Klant D13/110

7,052,309 B1 * 5/2006 Chen 439/484
D549,650 S * 8/2007 Russell et al. D13/137.2
D562,766 S * 2/2008 Yang D13/110
D583,318 S * 12/2008 Kagami et al. D13/108

OTHER PUBLICATIONS

Technology Research Corporation—Circuit Analyzer—
AECM10086—Vendor Website (www.trci.net/products/surge-
guard/circuit-analyzer), May 23, 2013, 3 Pages.
Progressive Industries—30amp male Replacement Plug—Vendor
Website (www.progressiveindustries.net.), 1999-2013, 1 Page.

* cited by examiner

Primary Examiner — Derrick Holland

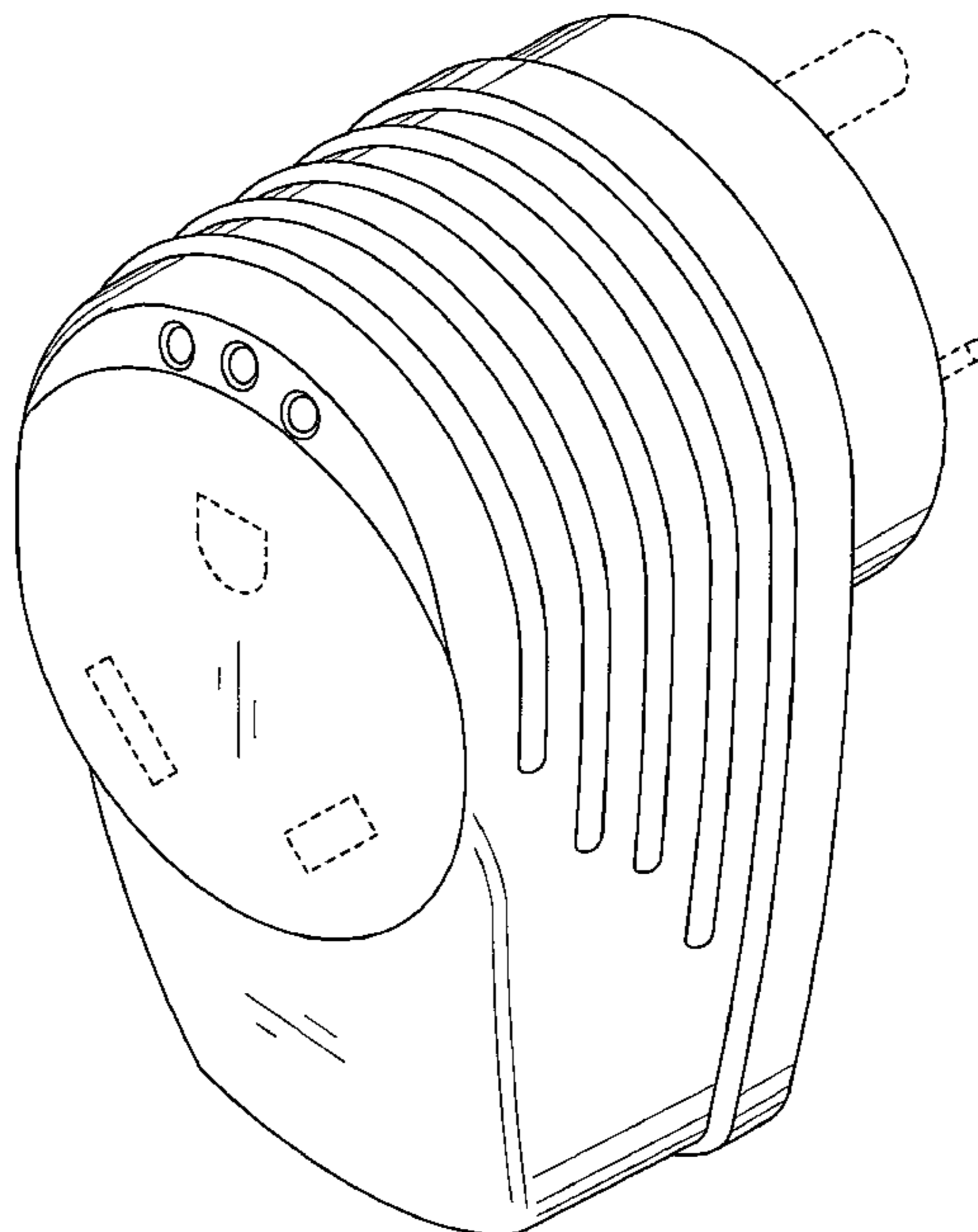
(57) **CLAIM**

The ornamental design for a circuit analyzer, as shown and
described.

DESCRIPTION

FIG. 1 is a front, top, right perspective view of a circuit
analyzer according to the invention;
FIG. 2 is a front elevation view thereof;
FIG. 3 is a rear elevation view thereof;
FIG. 4 is a top plan view thereof;
FIG. 5 is a bottom plan view thereof;
FIG. 6 is a left side elevational view thereof, the right side
elevational view being a mirror image; and,
FIG. 7 is a top, rear, left perspective view thereof.
The broken lines shown represent unclaimed subject matter
and form no part of the claimed design.

1 Claim, 7 Drawing Sheets



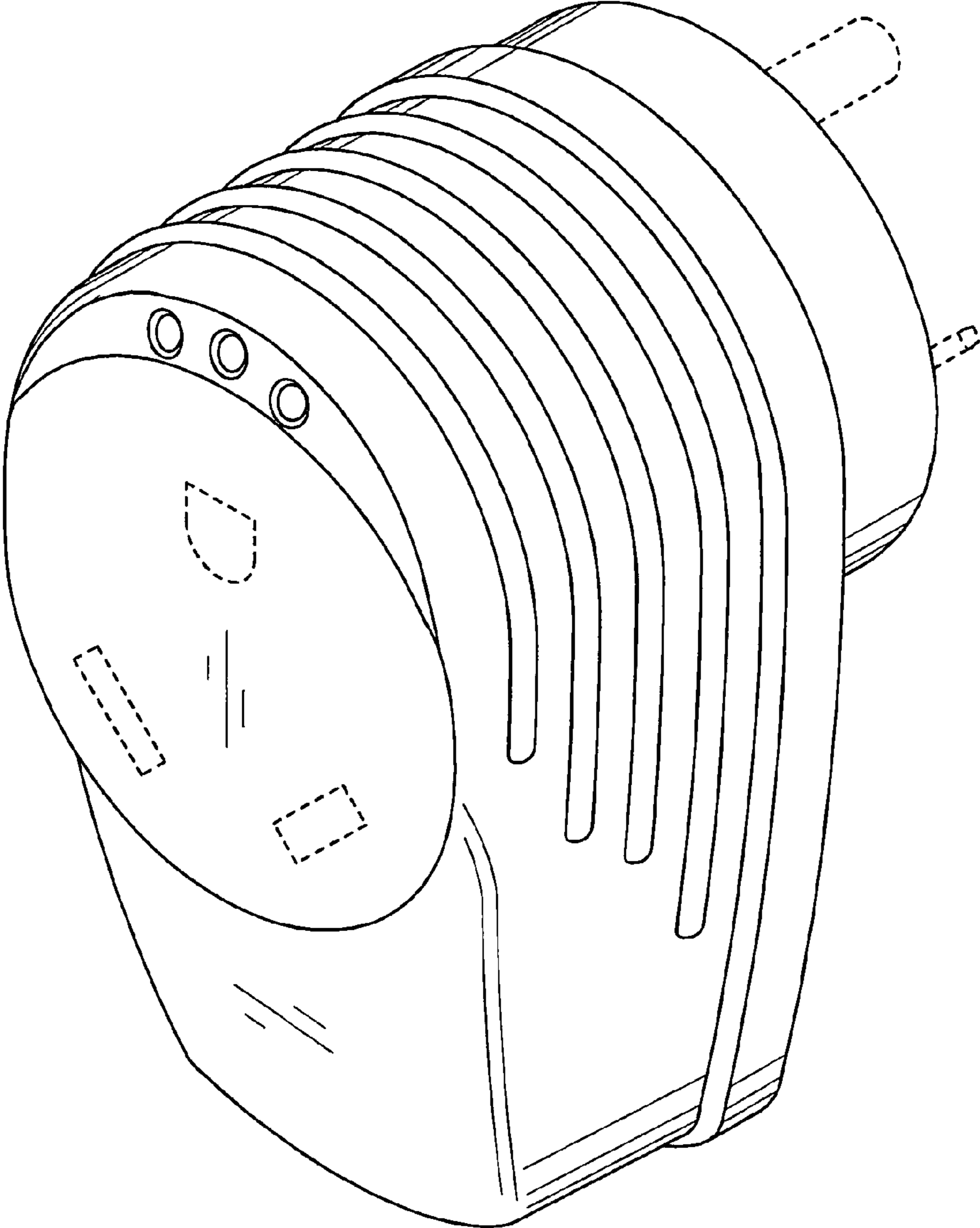


Fig. 1

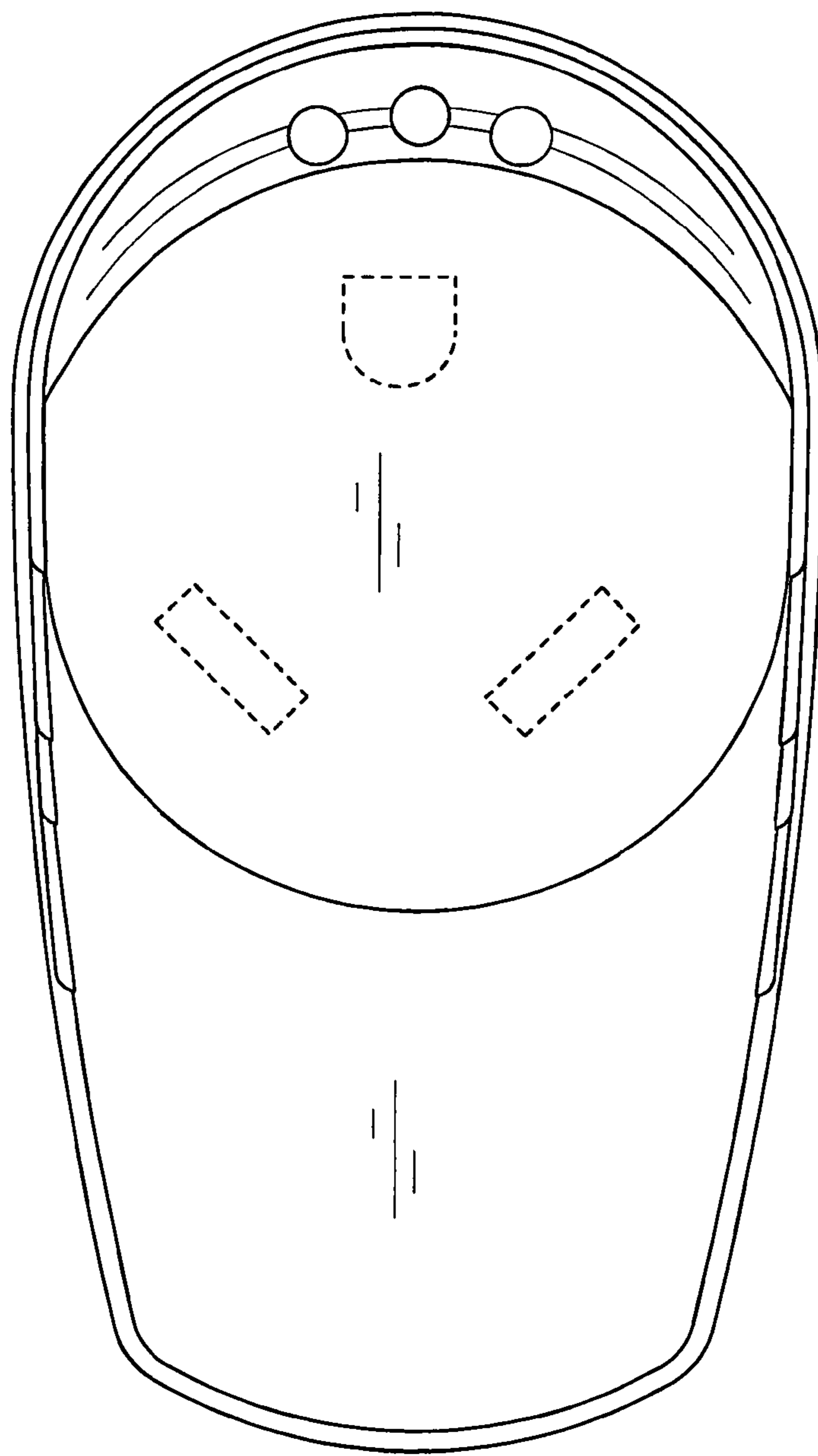


Fig. 2

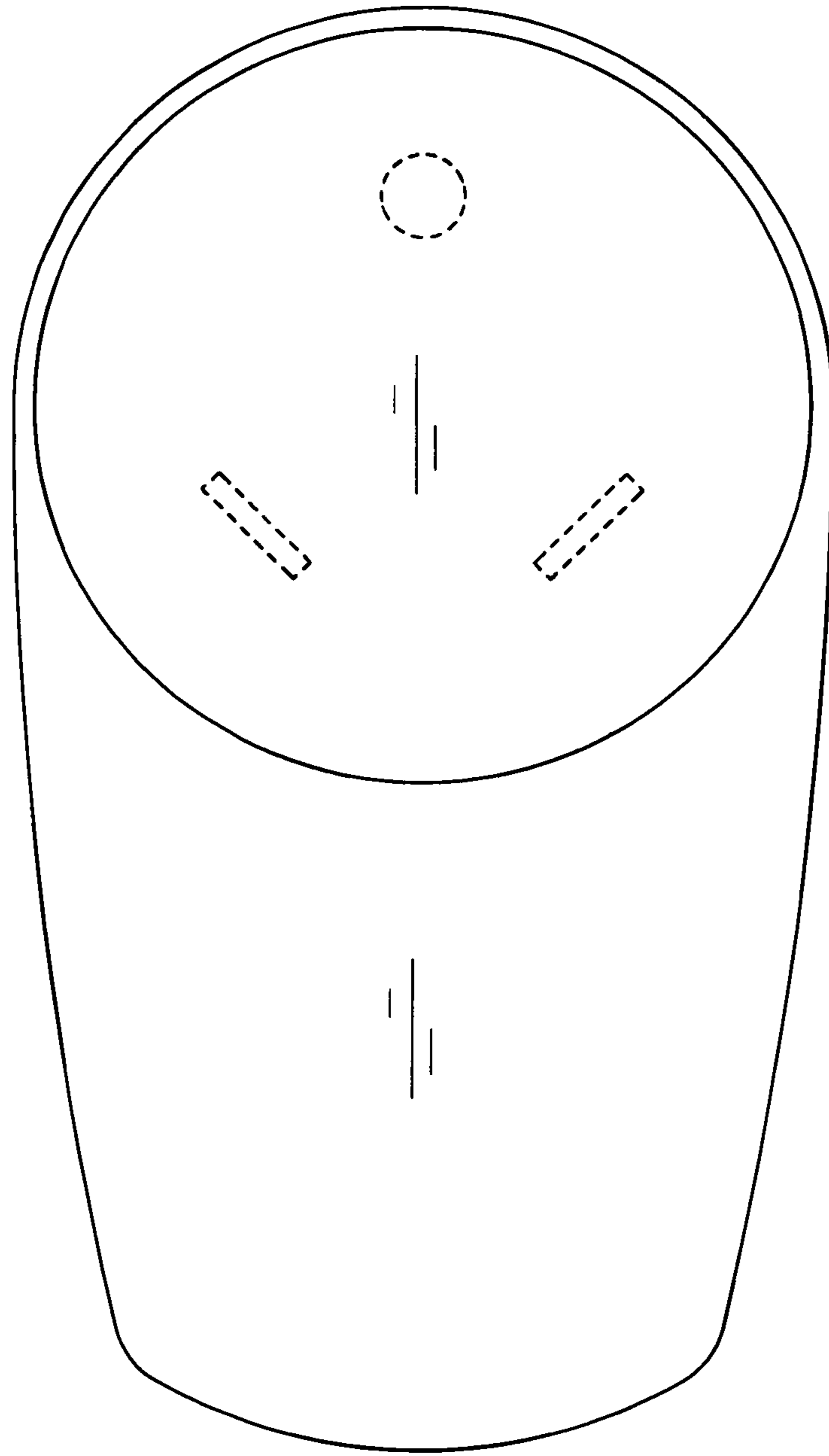


Fig. 3

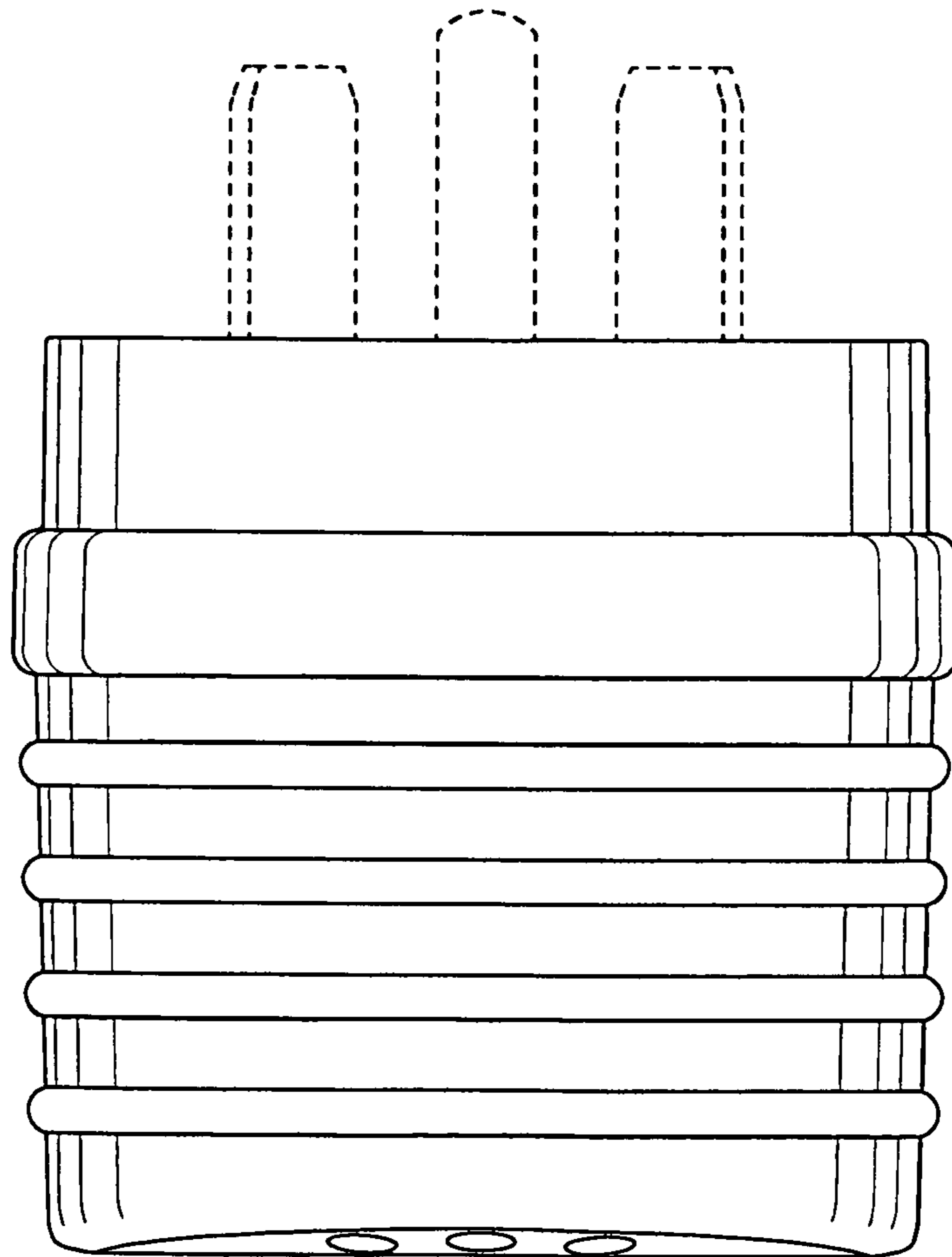


Fig. 4

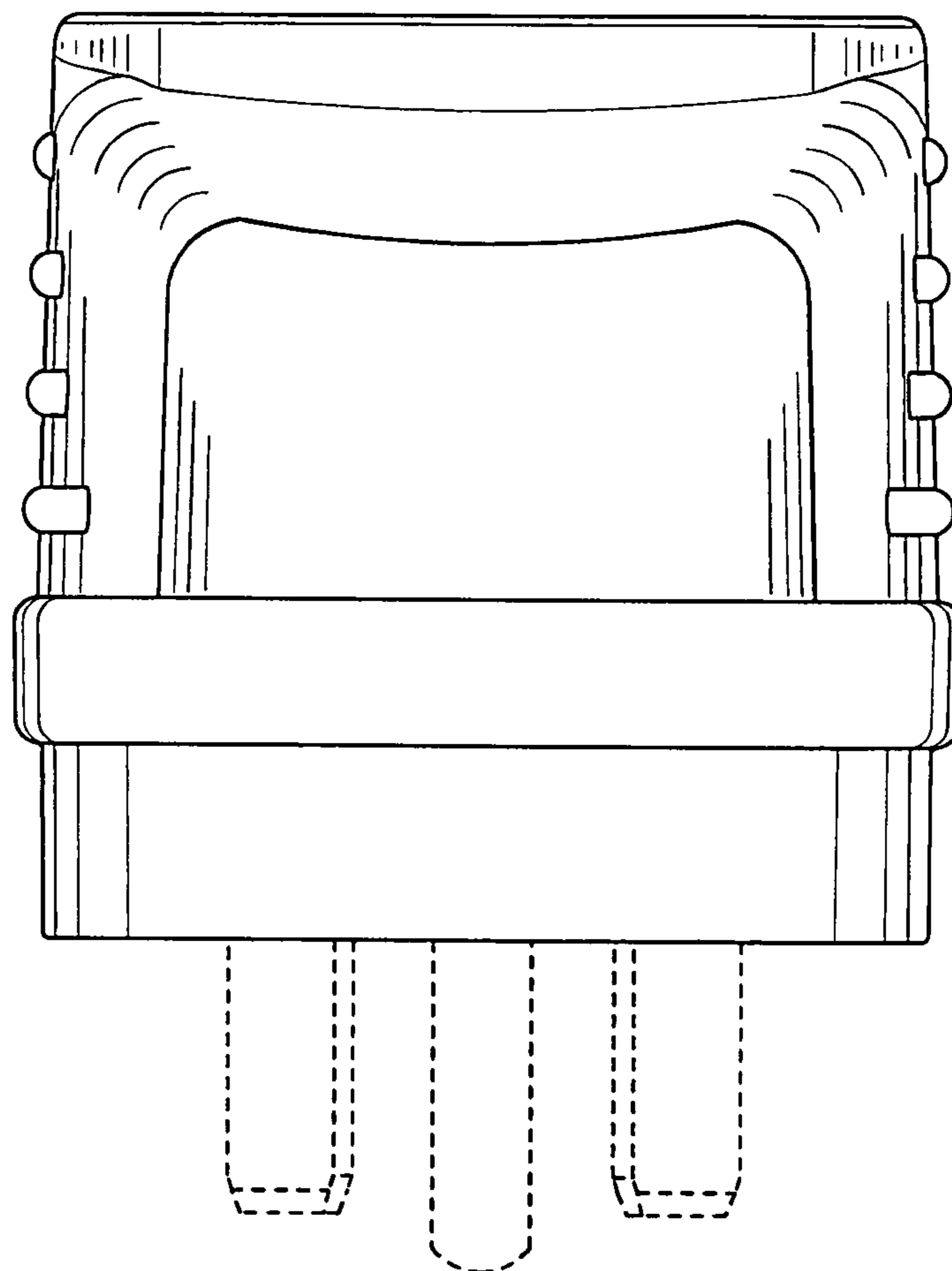


Fig. 5

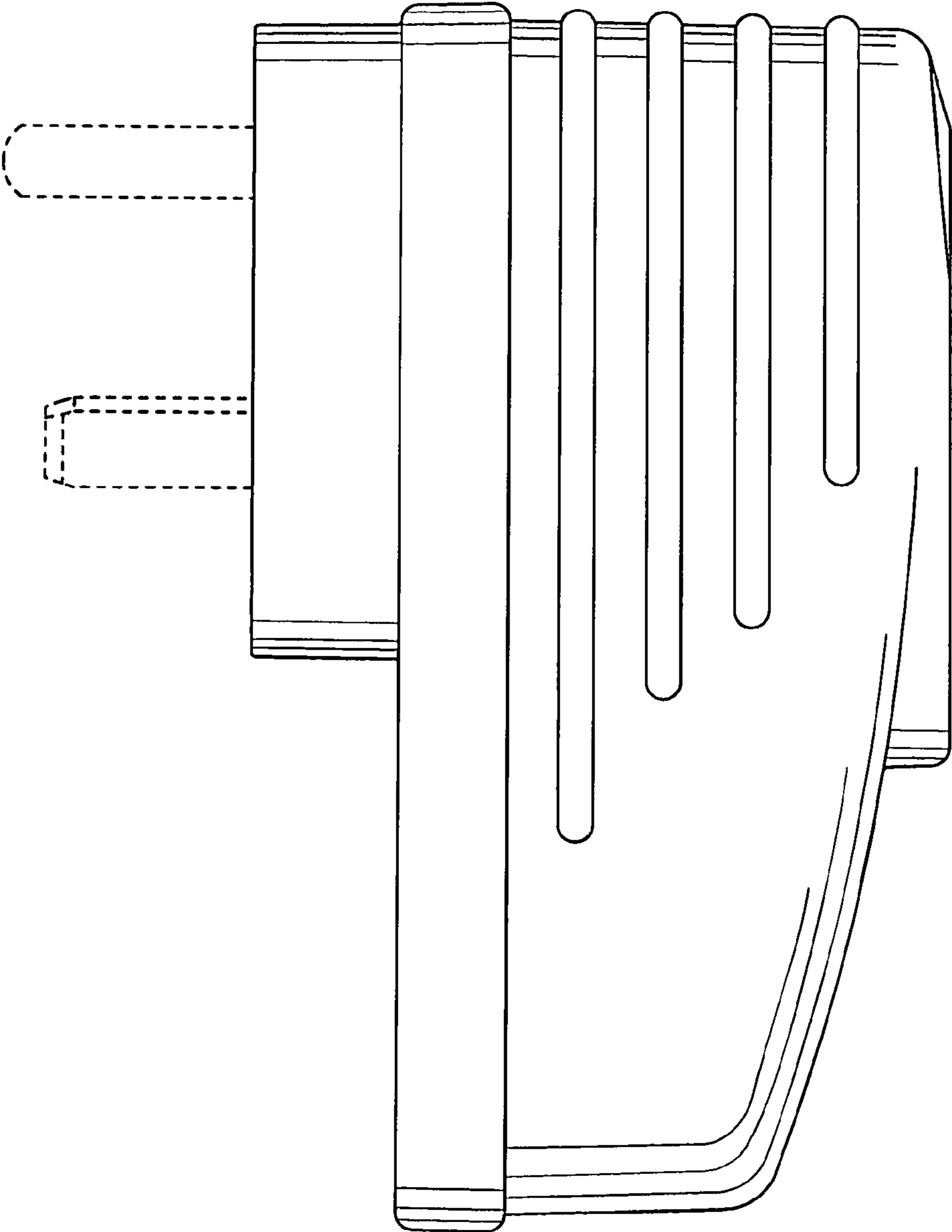


Fig. 6

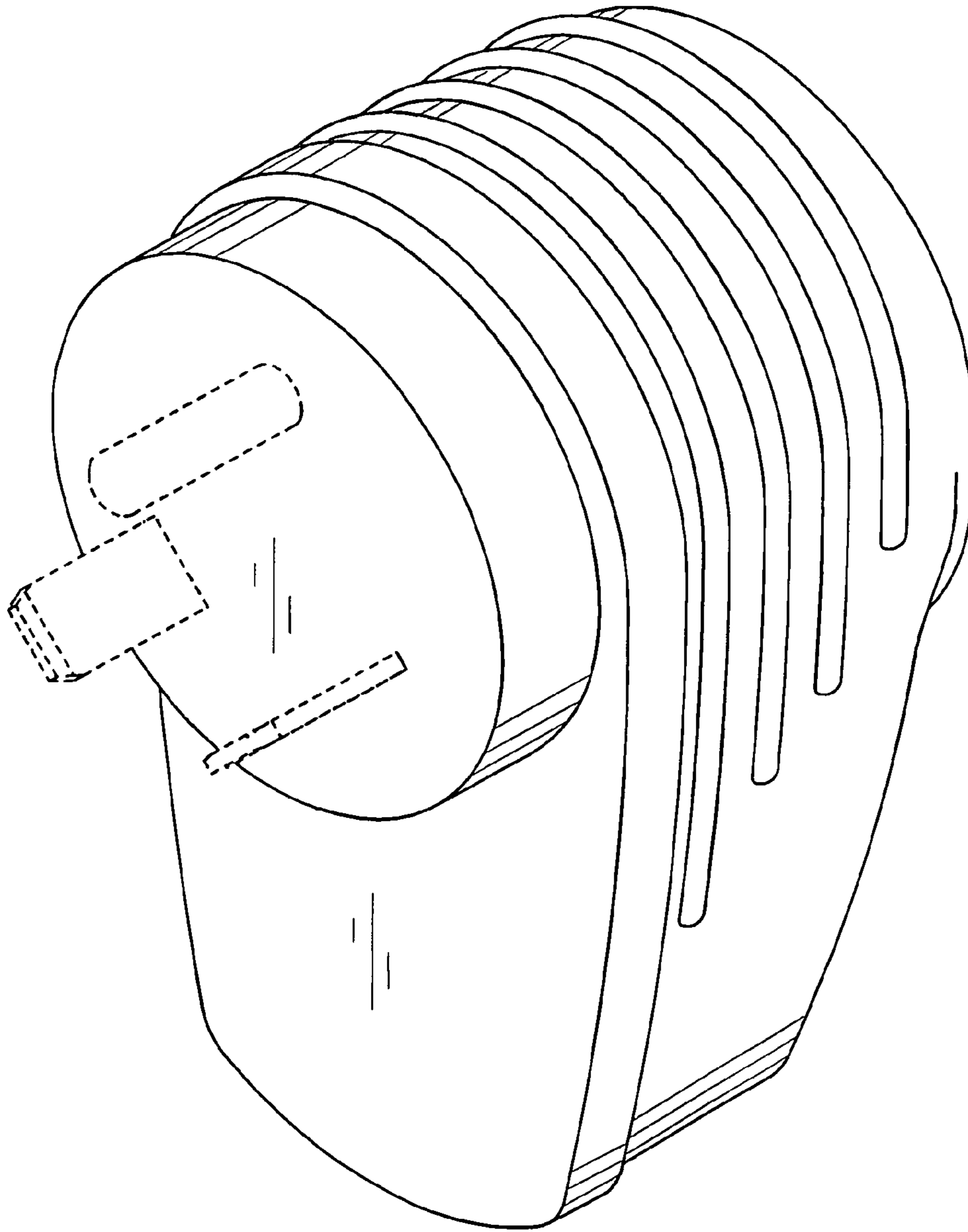


Fig. 7