



US00D722018S

(12) **United States Design Patent**
Wang

(10) **Patent No.:** **US D722,018 S**
(45) **Date of Patent:** **** Feb. 3, 2015**

(54) **MOBILE POWER SOURCE**

(71) Applicant: **Hao Wang**, Shenzhen (CN)

(72) Inventor: **Hao Wang**, Shenzhen (CN)

(**) Term: **14 Years**

(21) Appl. No.: **29/459,360**

(22) Filed: **Jun. 28, 2013**

(30) **Foreign Application Priority Data**

Mar. 5, 2013 (CN) 2013 3 0053372

(51) **LOC (10) Cl.** **13-02**

(52) **U.S. Cl.**
USPC **D13/108; D13/103**

(58) **Field of Classification Search**
USPC D13/102–110, 118–119, 184, 199;
D14/356, 432; 320/103, 111–115,
320/135–146

See application file for complete search history.

(56) **References Cited**

U.S. PATENT DOCUMENTS

D400,848 S *	11/1998	Clark et al.	D13/103
D520,502 S *	5/2006	Xu et al.	D14/356
D520,994 S *	5/2006	Weiher et al.	D14/356
D565,571 S *	4/2008	Trifilio et al.	D14/434
D593,940 S *	6/2009	Nomi et al.	D13/103
D612,329 S *	3/2010	Guccione et al.	D13/108

D658,647 S *	5/2012	Tsai	D14/356
D676,380 S *	2/2013	Sun	D13/108
D678,191 S *	3/2013	Fitch et al.	D13/108
8,541,985 B1 *	9/2013	Wong	320/140
D693,297 S *	11/2013	Inskeep	D13/108
D694,708 S *	12/2013	Kim et al.	D13/108
D697,865 S *	1/2014	Saito et al.	D13/103
D705,719 S *	5/2014	Wong	D13/103
D711,821 S *	8/2014	Wang	D13/108

* cited by examiner

Primary Examiner — Rosemary K Tarcza

(74) *Attorney, Agent, or Firm* — Tim Tingkang Xia, Esq.;
Morris, Manning & Martin, LLP

(57) **CLAIM**

The ornamental design for a mobile power source, as shown and described.

DESCRIPTION

FIG. 1 is a first perspective view of the mobile power source; FIG. 2 is a second perspective view of the mobile power source;

FIG. 3 is a front view of a mobile power source;

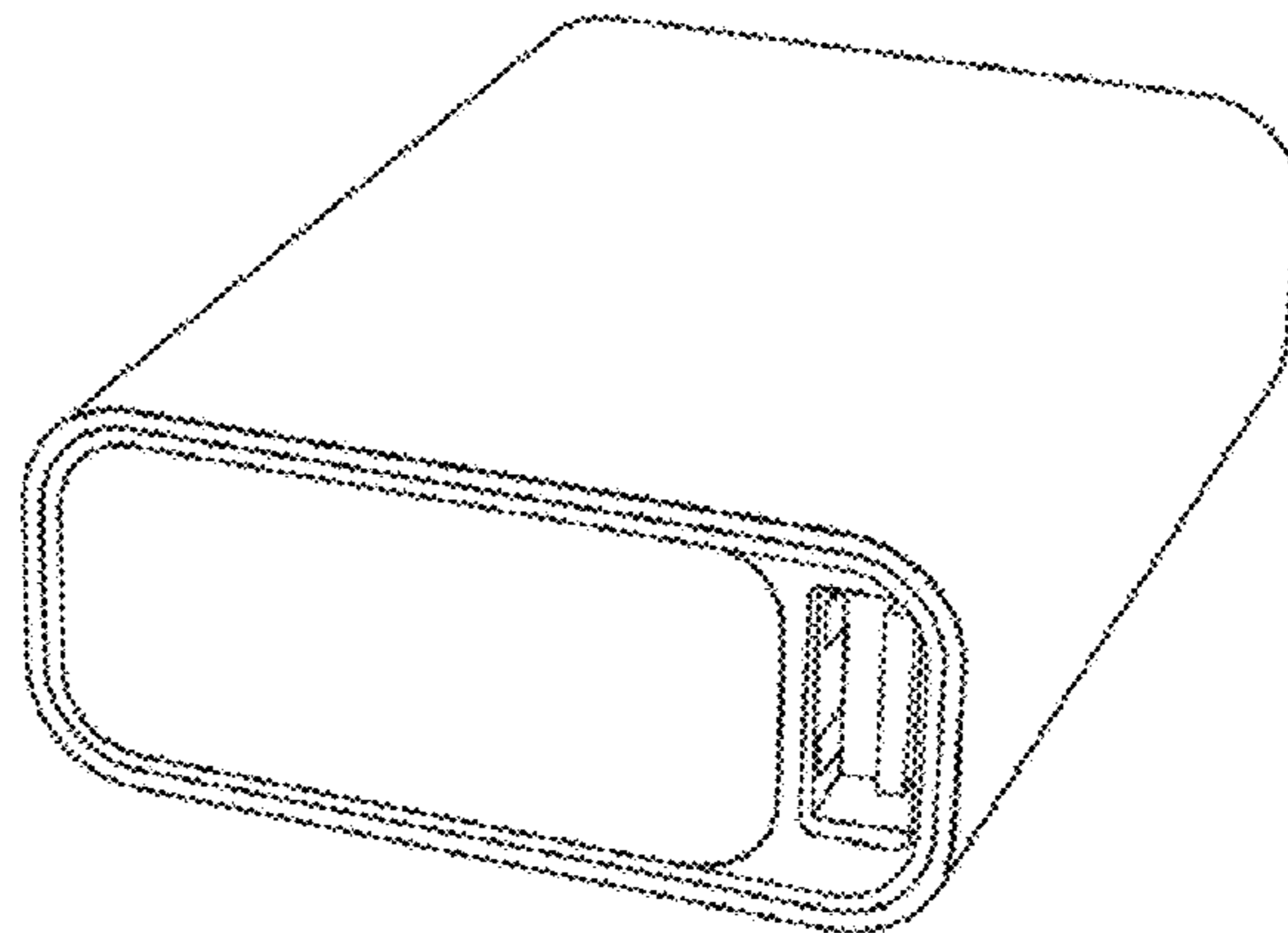
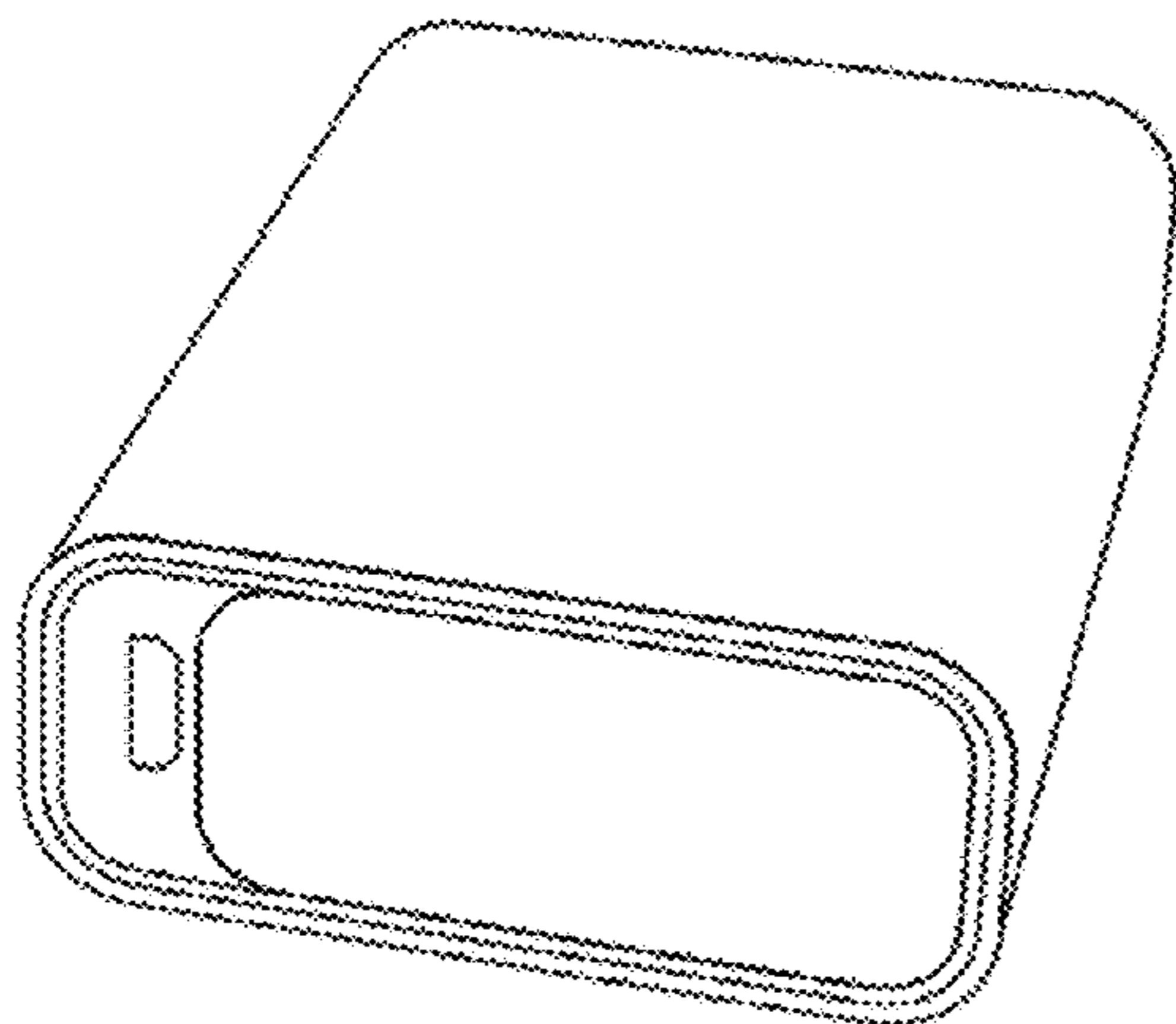
FIG. 4 is a top view of the mobile power source;

FIG. 5 is a bottom view of the mobile power source; and,

FIG. 6 is a left view of the mobile power source.

A rear view of the mobile power source is essentially identical to the front view of the mobile power source, and a right view of the mobile power source is essentially identical to the left view of the mobile power source.

1 Claim, 3 Drawing Sheets



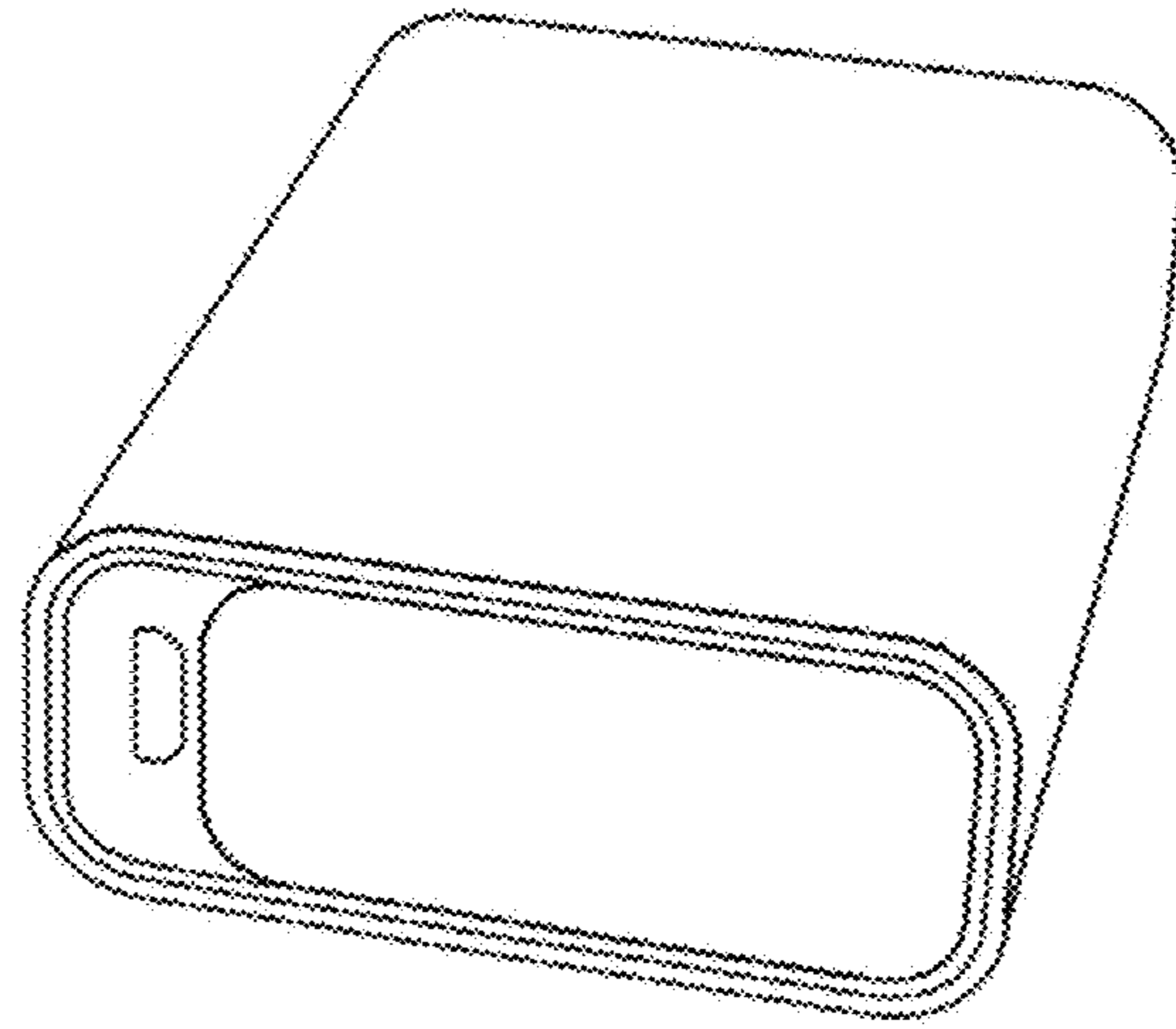


Fig. 1

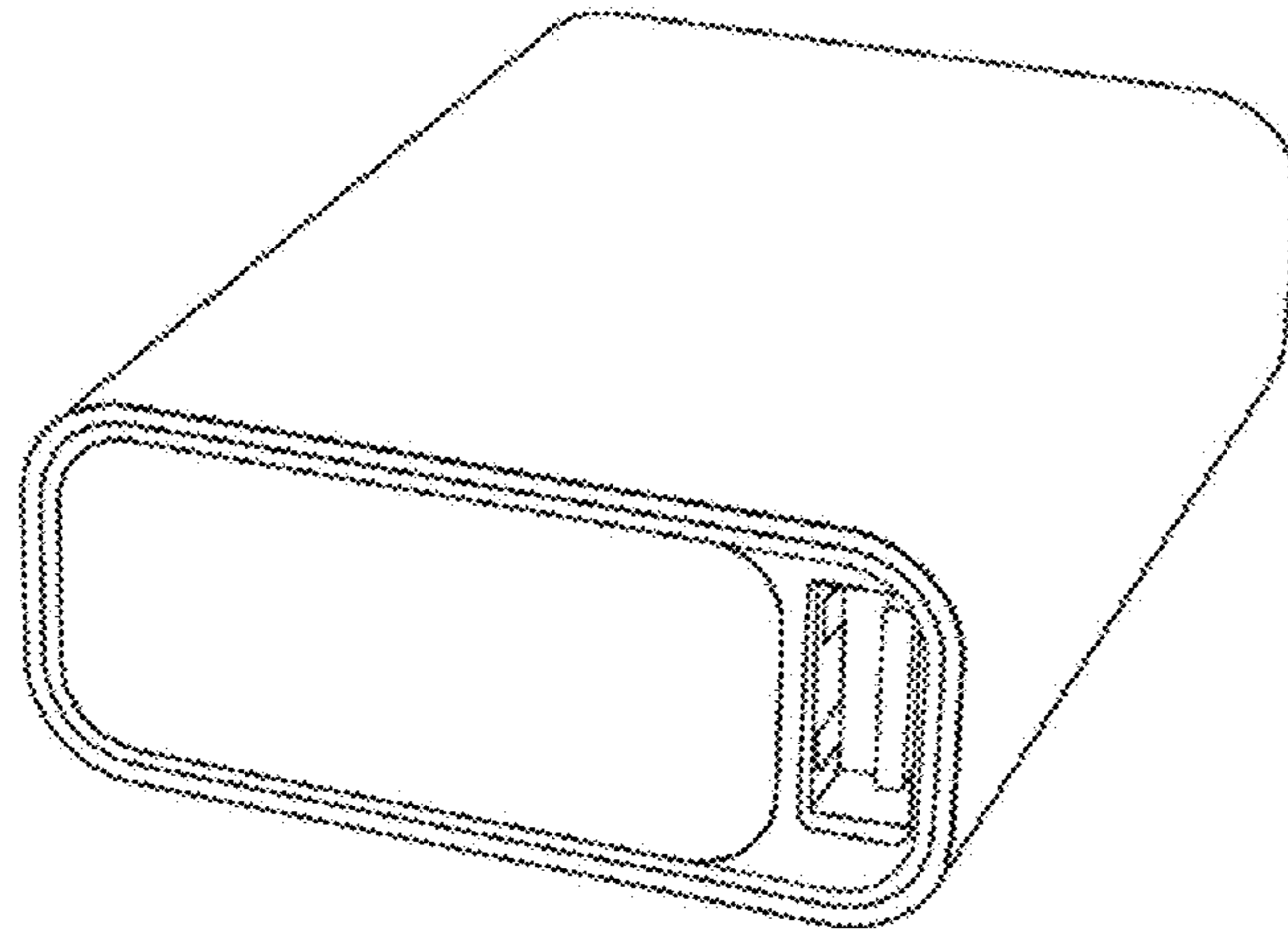


Fig. 2

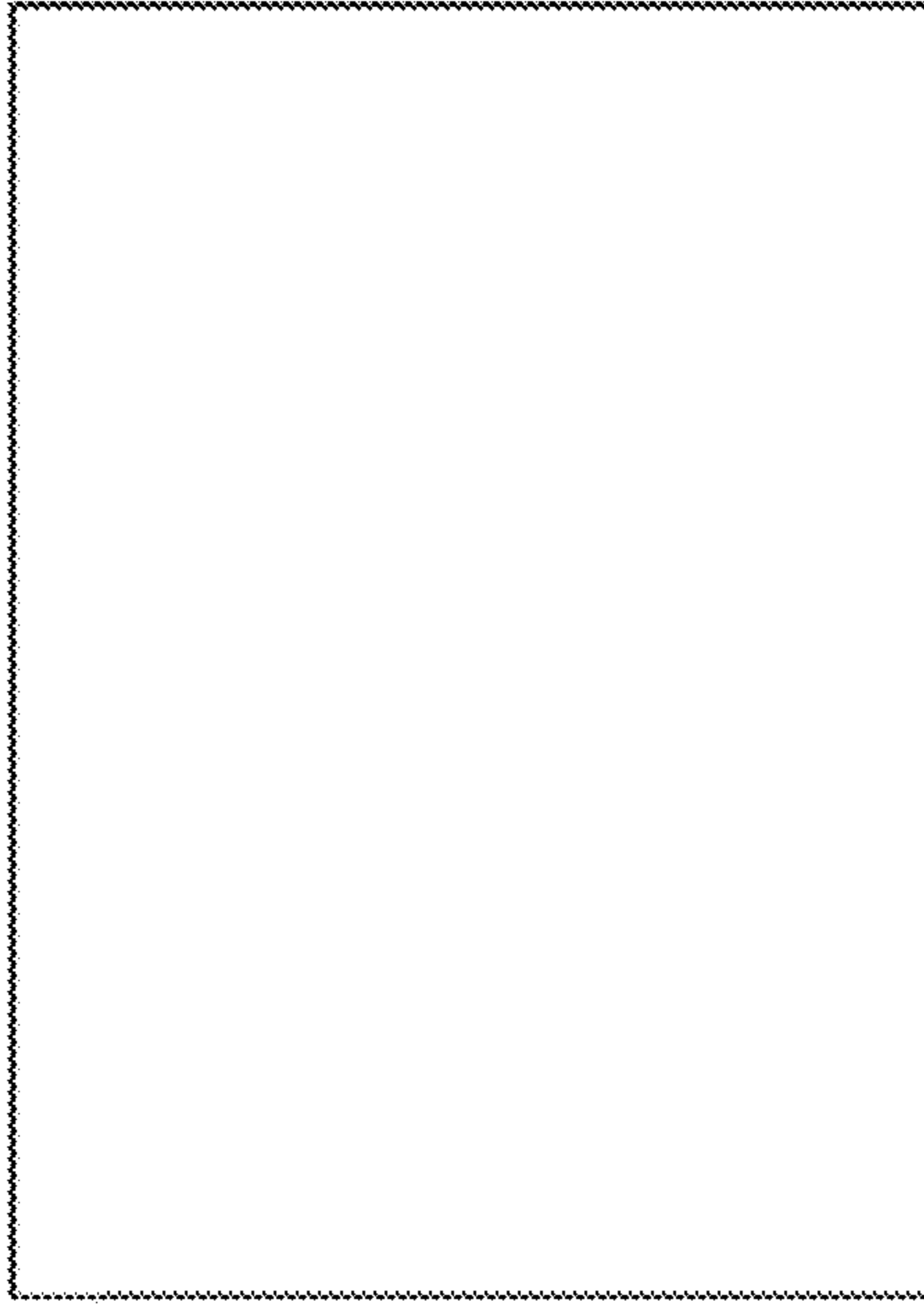


Fig. 3



Fig. 4



Fig. 5

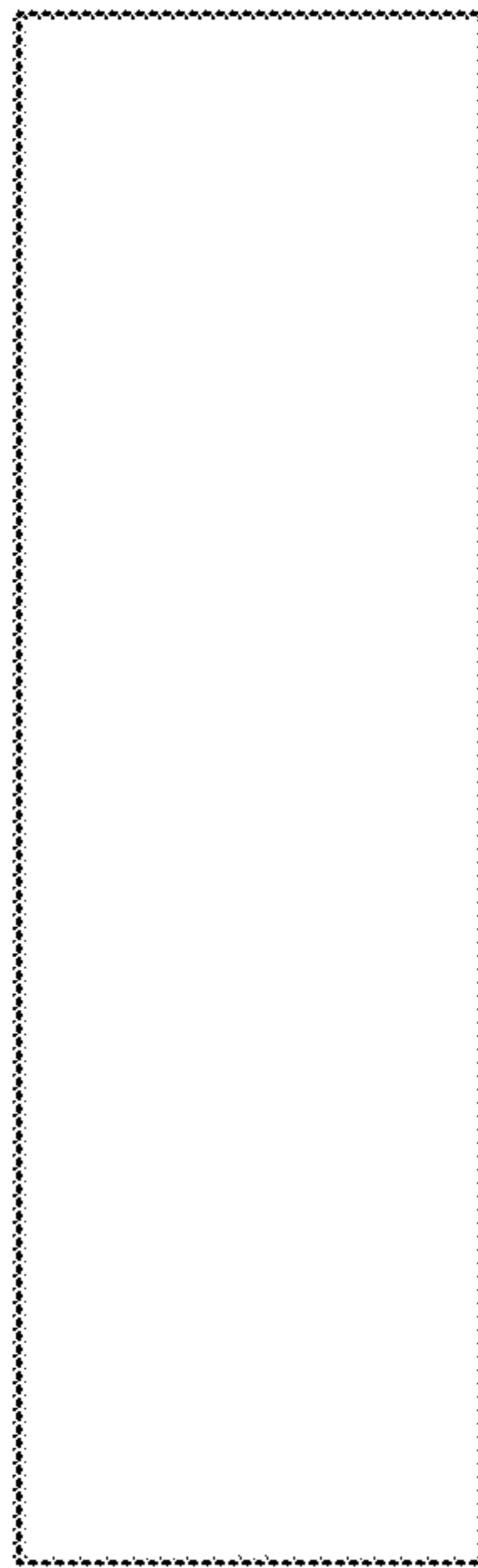


Fig. 6