



US00D722016S

(12) **United States Design Patent**  
**Beukema**

(10) **Patent No.:** **US D722,016 S**  
(45) **Date of Patent:** **\*\* Feb. 3, 2015**

(54) **BATTERY PACK**

(71) Applicant: **Chervon (HK) Limited**, Wanchai (HK)

(72) Inventor: **Brent Beukema**, Nanjing (CN)

(73) Assignee: **Chervon (HK) Limited**, Hong Kong (HK)

(\*\*) Term: **14 Years**

(21) Appl. No.: **29/479,136**

(22) Filed: **Jan. 13, 2014**

(30) **Foreign Application Priority Data**

Jul. 12, 2013 (CN) ..... 2013 3 0327001  
Sep. 6, 2013 (CN) ..... 2013 3 0430553

(51) **LOC (10) Cl.** ..... **13-02**

(52) **U.S. Cl.**  
USPC ..... **D13/103**

(58) **Field of Classification Search**  
USPC ..... D13/102-104, 110, 118-121, 184, 199;  
429/96-100, 163, 176  
See application file for complete search history.

(56) **References Cited**

**U.S. PATENT DOCUMENTS**

D384,639 S \* 10/1997 Kawakami et al. .... D13/103  
D387,728 S \* 12/1997 Kawakami et al. .... D13/103  
D412,485 S \* 8/1999 Kato et al. .... D13/103

D417,648 S \* 12/1999 Clowers et al. .... D13/103  
6,007,939 A \* 12/1999 Clowers ..... 429/99  
D432,077 S \* 10/2000 Zurwelle et al. .... D13/103  
D474,445 S \* 5/2003 Matsuoka et al. .... D13/103  
D504,111 S \* 4/2005 Ozawa et al. .... D13/103  
D504,394 S \* 4/2005 Cheung et al. .... D13/103  
D544,436 S \* 6/2007 Kawahara et al. .... D13/103  
D580,353 S \* 11/2008 Harrison et al. .... D13/103  
D590,333 S \* 4/2009 Price et al. .... D13/103  
2007/0224492 A1 \* 9/2007 Scott et al. .... 429/99

\* cited by examiner

*Primary Examiner* — Rosemary K Tarcza

(74) *Attorney, Agent, or Firm* — Greenberg Traurig, LLP

(57) **CLAIM**

What is claimed is the ornamental design for a battery pack, as shown and described.

**DESCRIPTION**

FIG. 1 is a right side elevational of a battery pack showing the new design;

FIG. 2 is a left side elevational view thereof;

FIG. 3 is a front side elevational view thereof;

FIG. 4 is a rear side elevational view thereof;

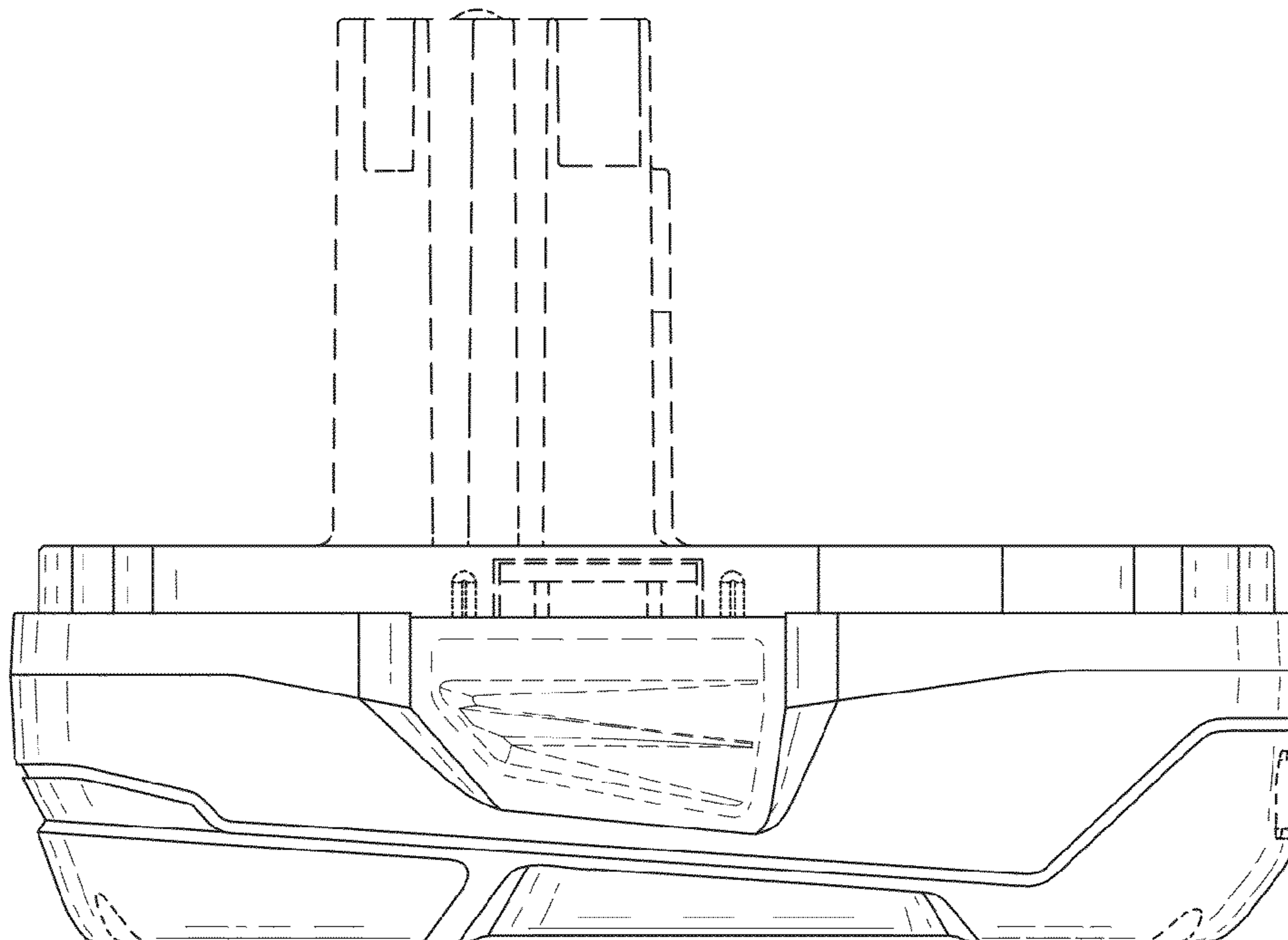
FIG. 5 is a top plan view thereof;

FIG. 6 is a bottom plan view thereof; and,

FIG. 7 is a perspective view thereof.

Any elements shown in dotted and/or dashed lines are provided for illustrative purposes only and form no part of the design claimed. Any surface shading is used solely to show the character or contour of the surfaces represented.

**1 Claim, 6 Drawing Sheets**



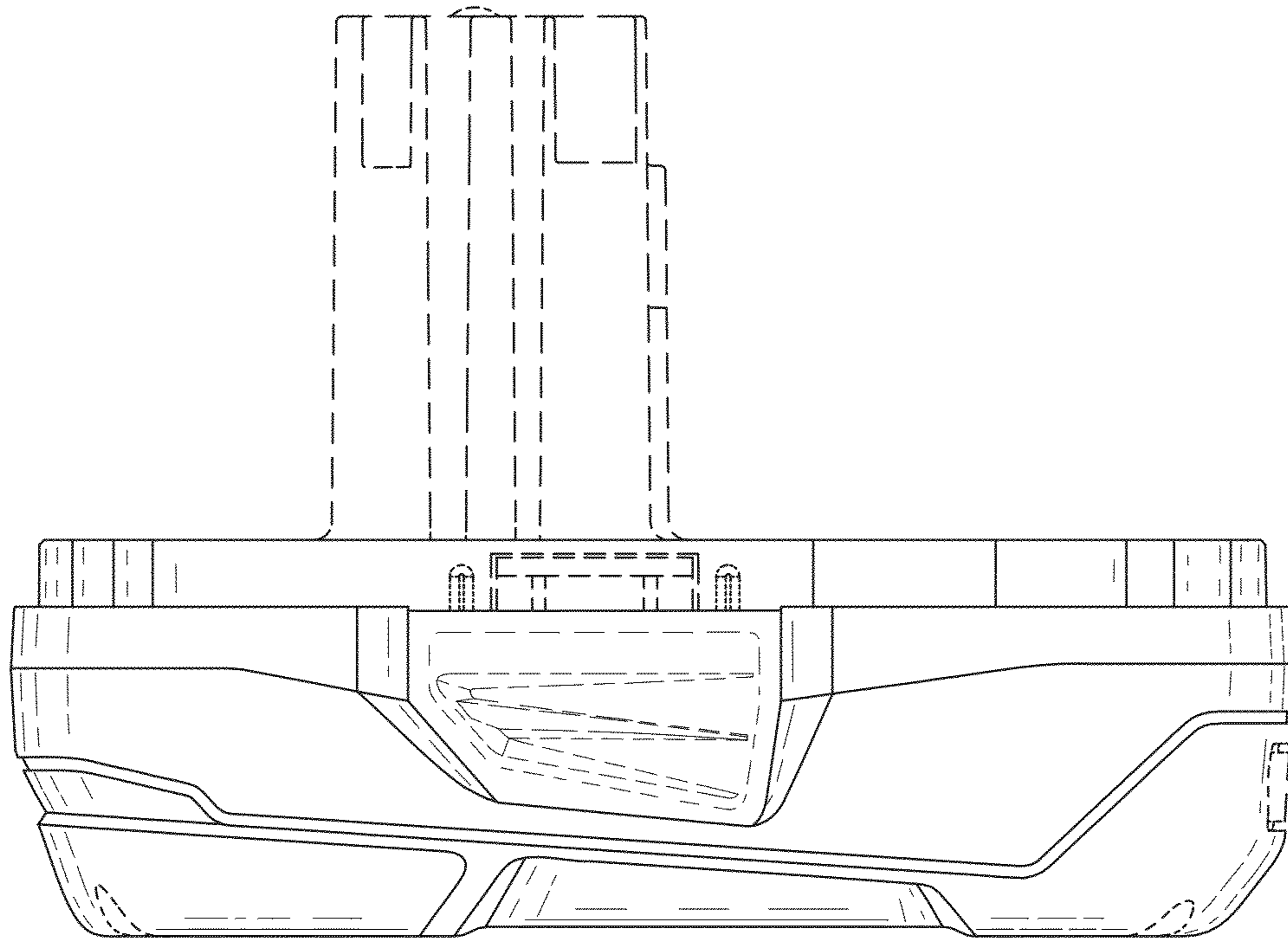


Fig. 1

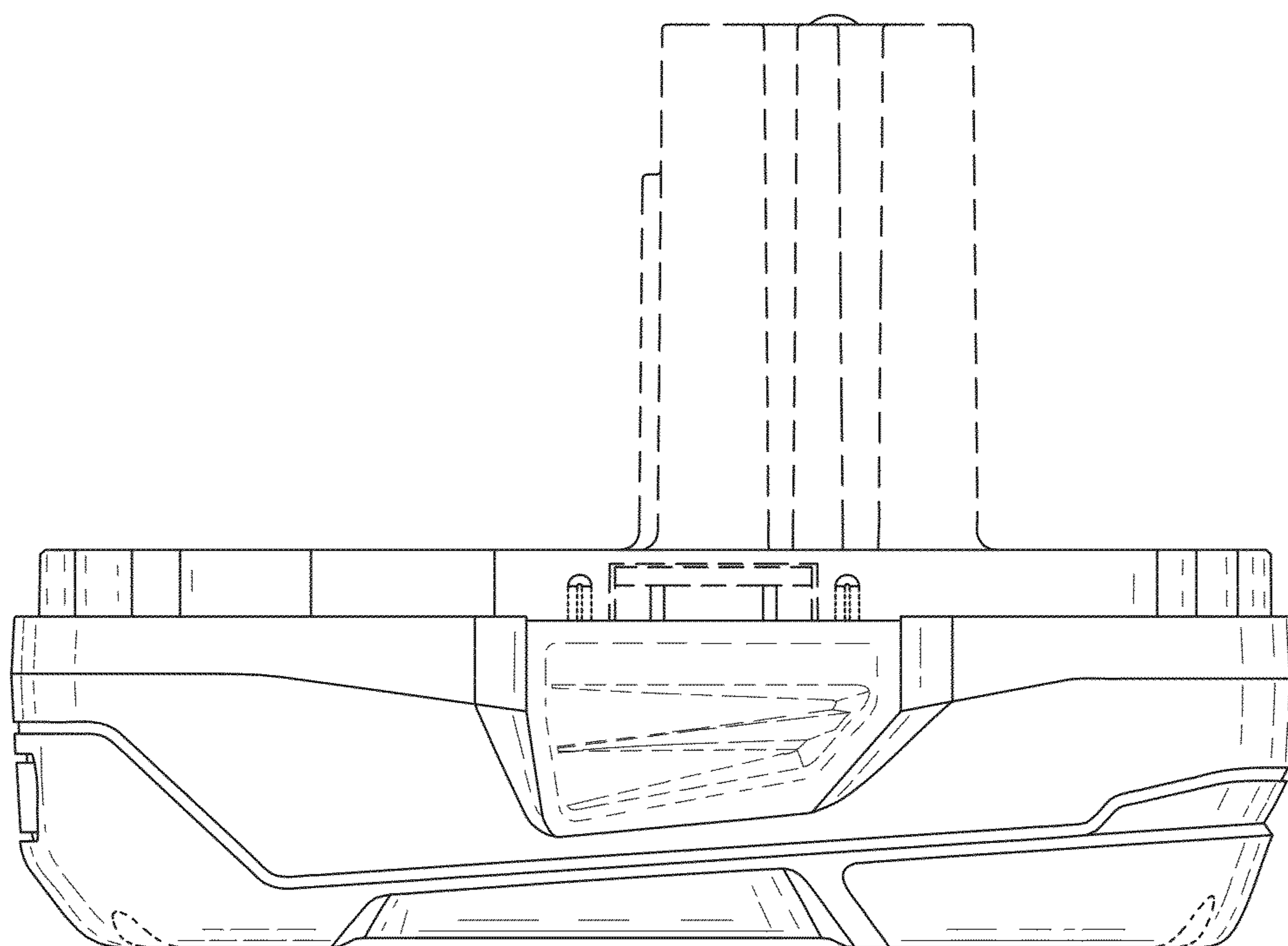


Fig. 2

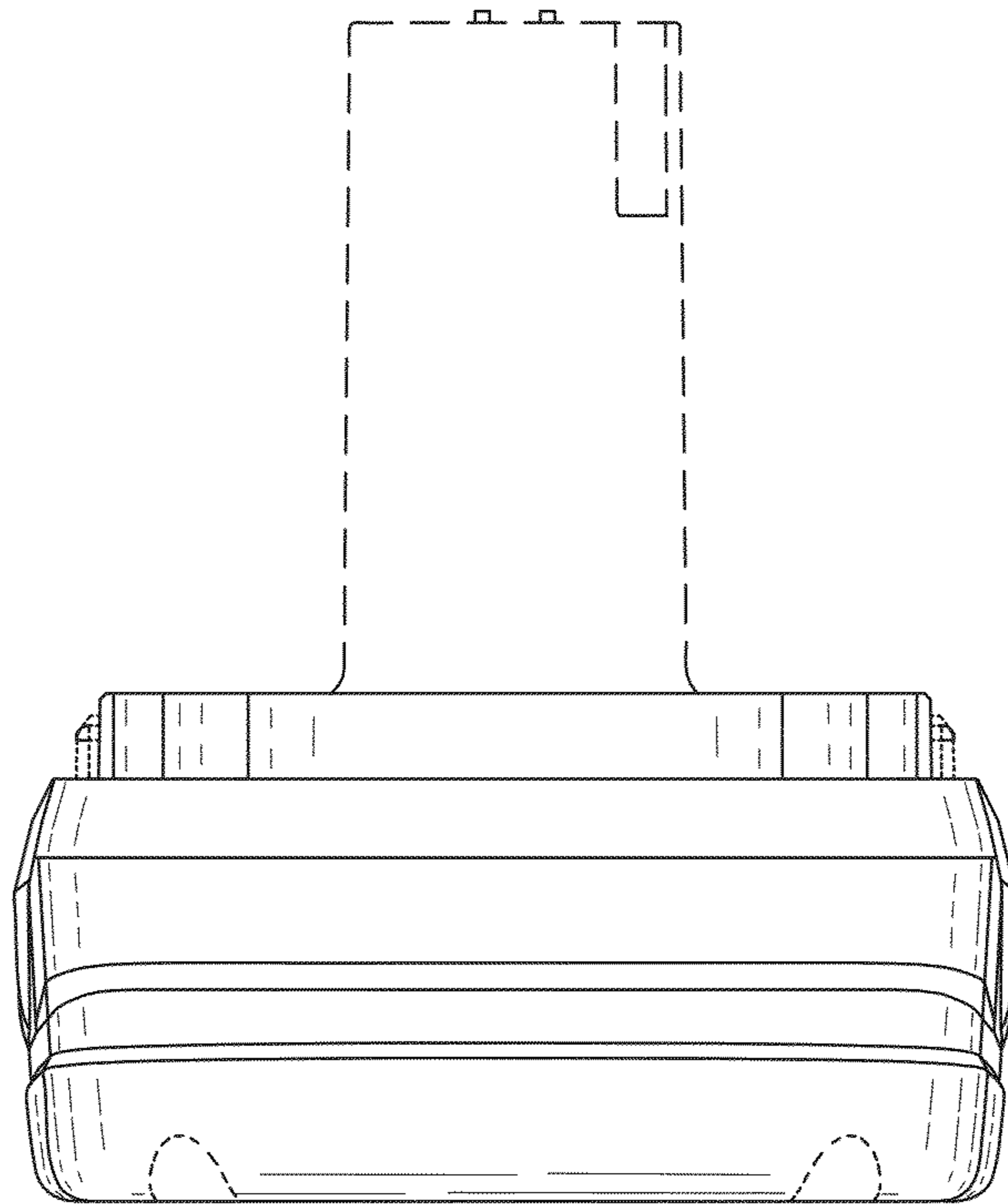


Fig. 3

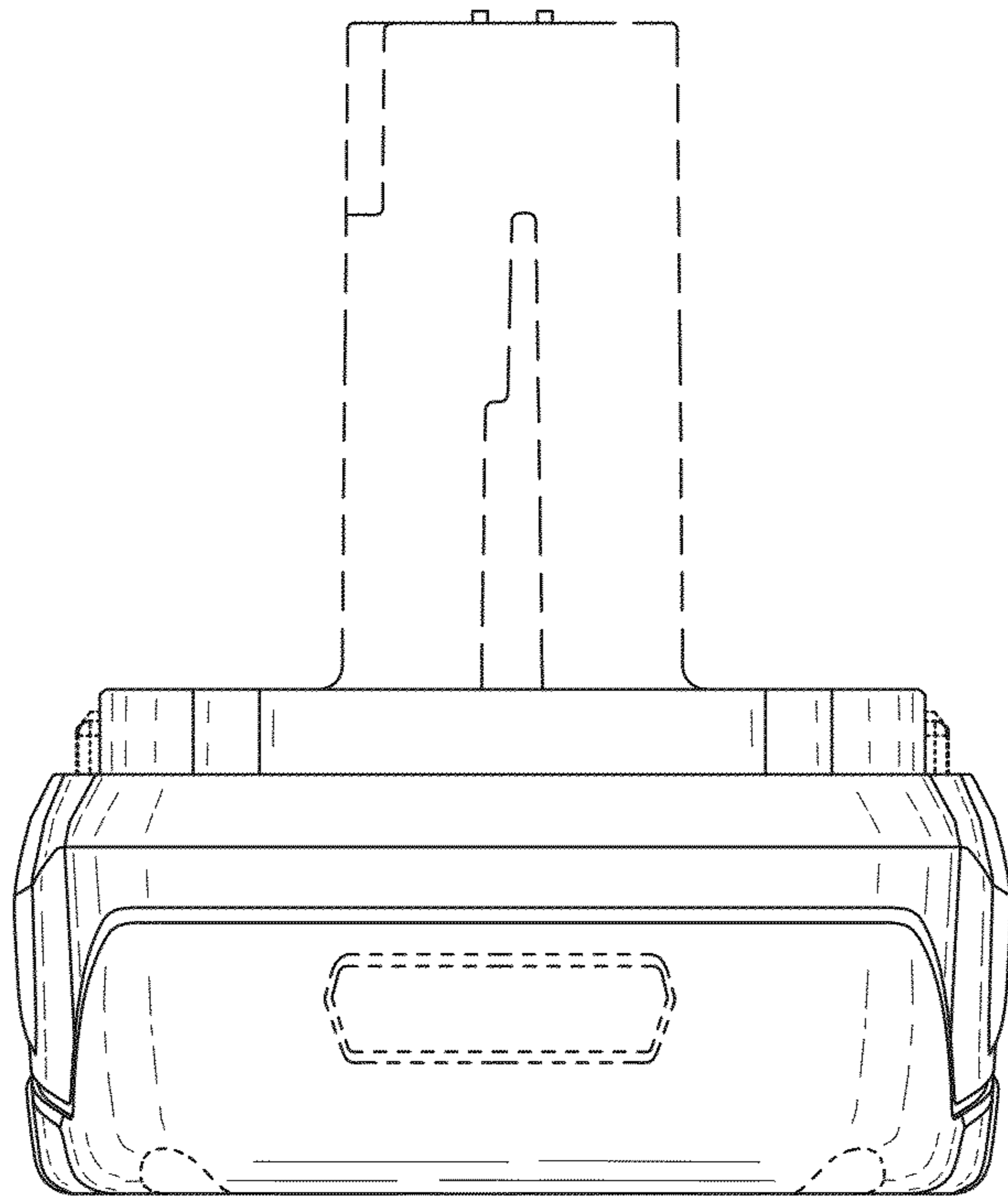


Fig. 4

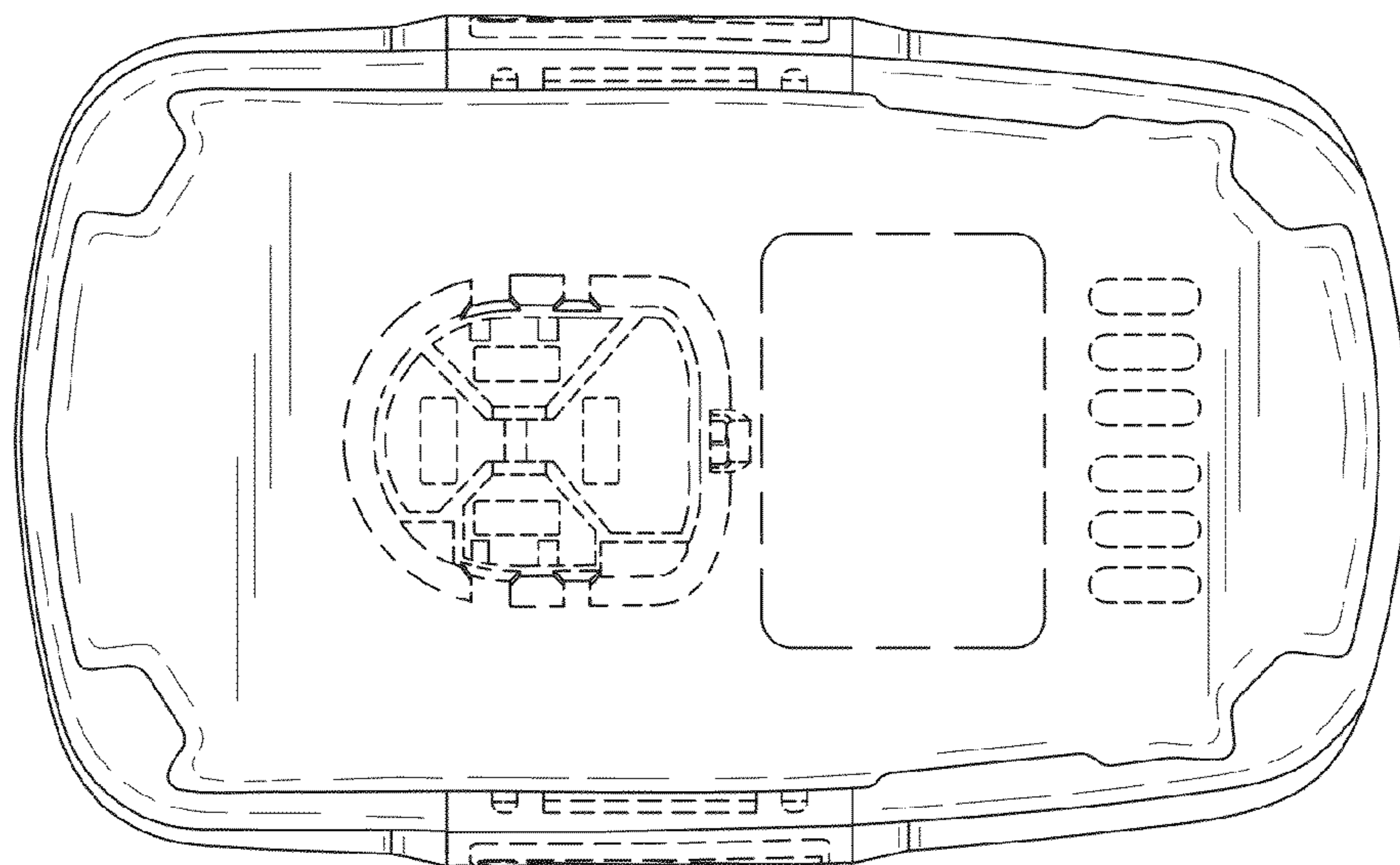


Fig. 5

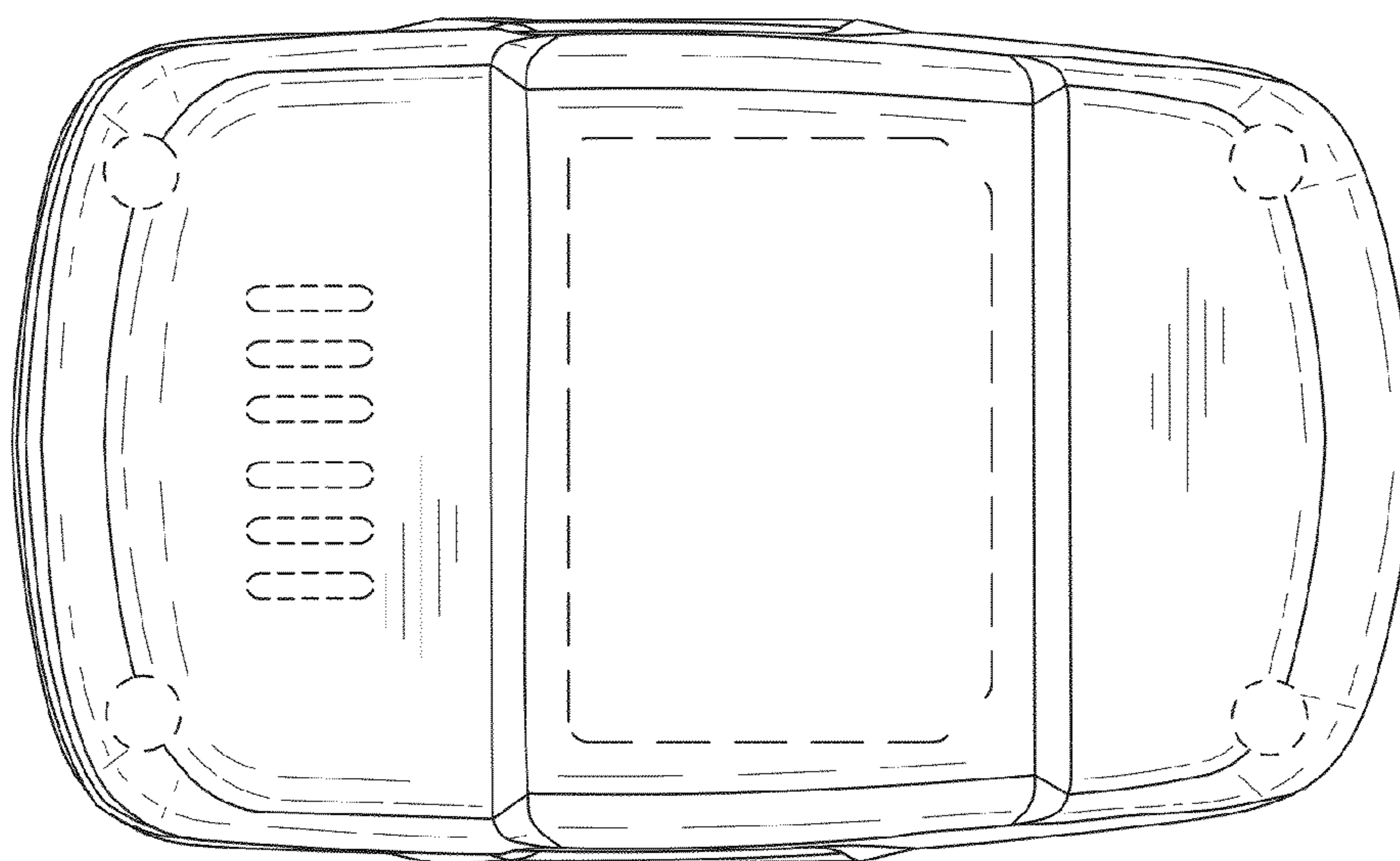


Fig. 6

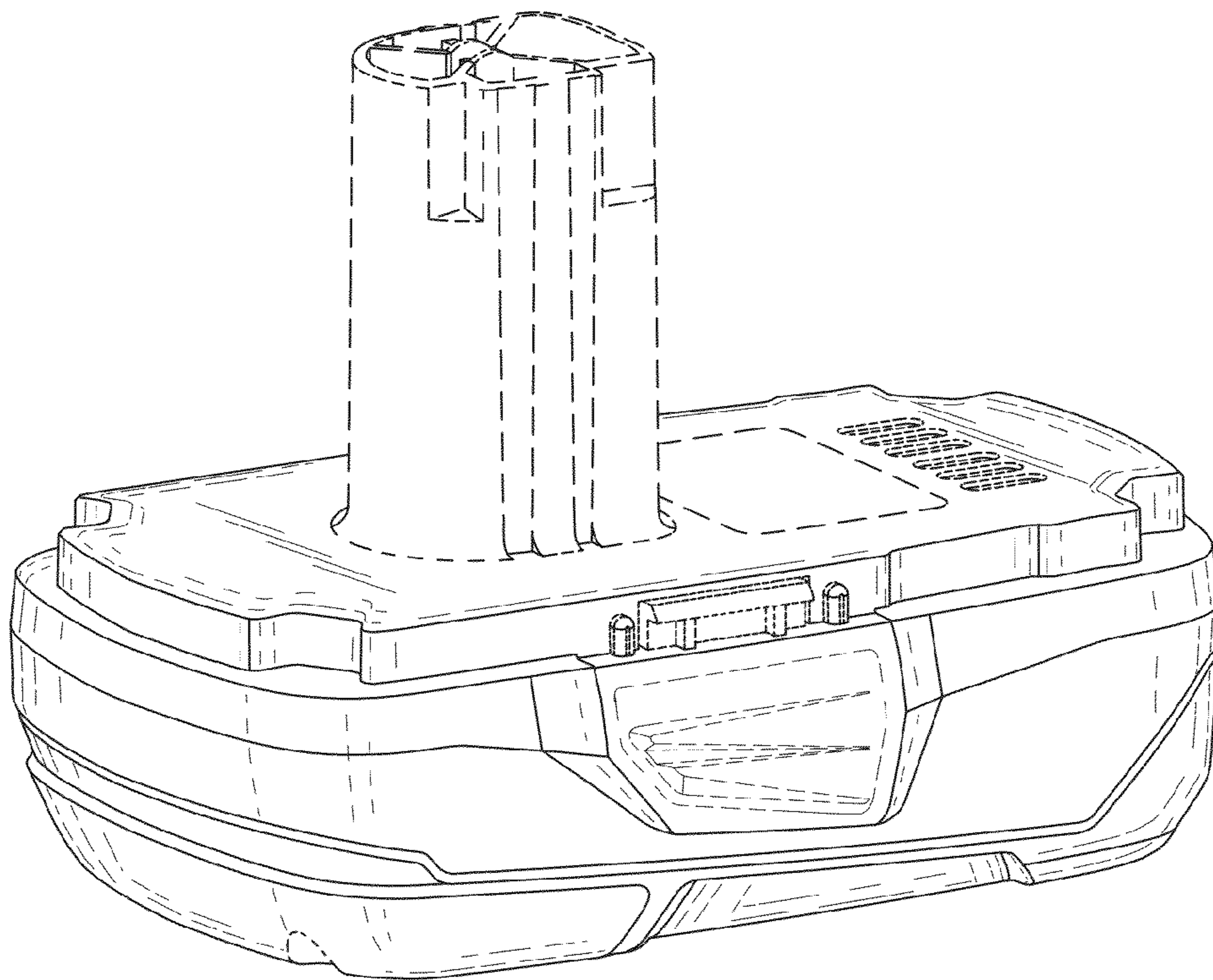


Fig. 7